

**HYUNDAI**  
POWER PRODUCTS

## **CORDLESS RECIPROCATING SAW**

**AKKU-SÄBELSÄGE**

**SCIE SABRE SANS FIL**

**SEGHETTO ALTERNATIVO A BATTERIA**

**SIERRA SABLE A BATERÍA**

**ACCU RECIPROZAAG**

**FERĂSTRĂU CU MIȘCARE ALTERNATIVĂ**

**AKKUMULÁTOROS ORRFÚRÉSZ**

**MÁY CŮA KIÉM DŮNG PIN**

**БЕЗЖИЧНА РЕЦИПРОЧНА ПИЛА**

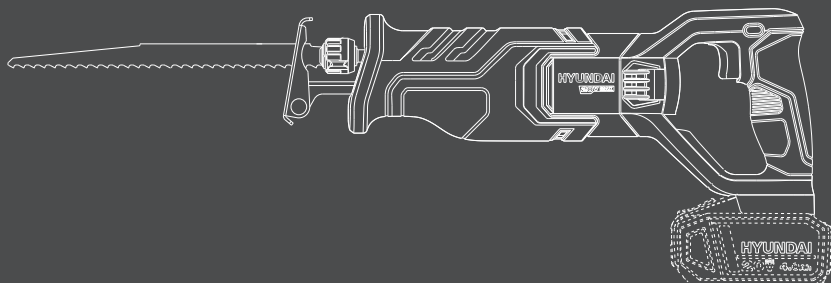
**AKŮLŮ KILIÇ TESTERE**

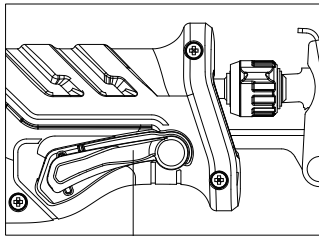
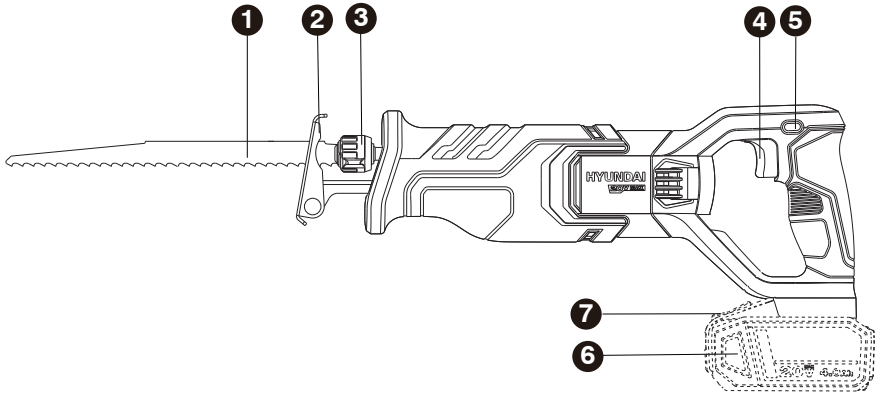
### **RS20S-20**

**User Manual/Benutzerhandbuch/Manuel de l'utilisateur/Manuale dell'utente  
Manual del Usuario/Gebruikershandleiding/Manualul utilizatorului/Felhasználói kézikönyv  
Hướng dẫn sử dụng/Упатство за користење/Kullanım kılavuzu**

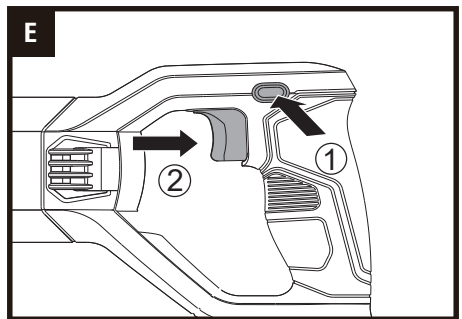
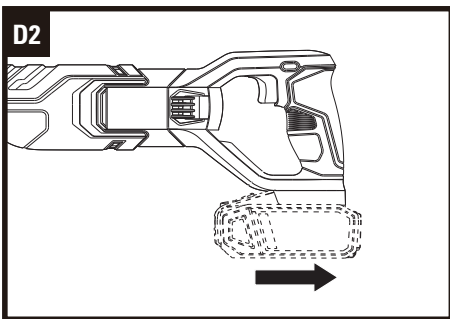
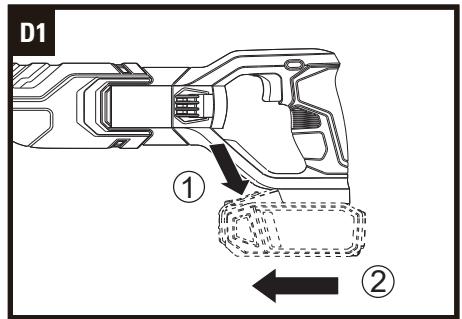
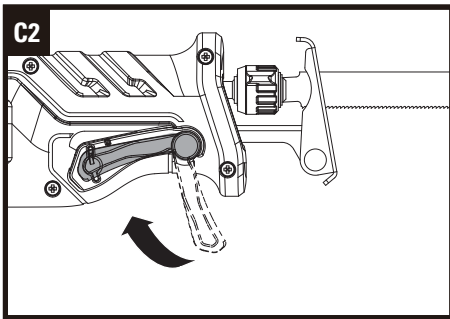
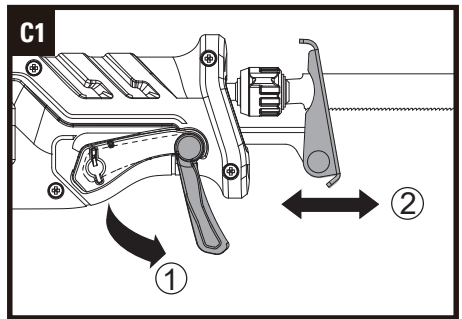
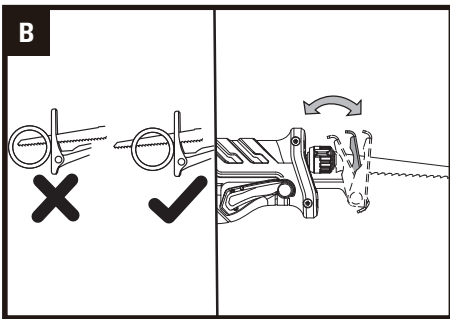
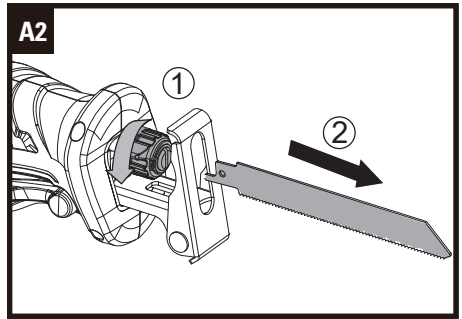
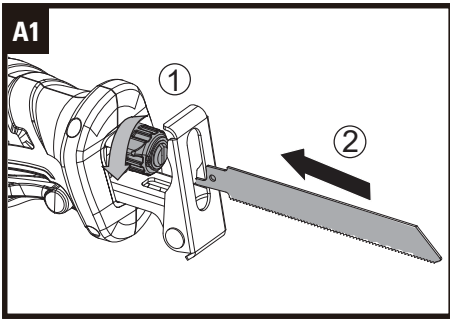


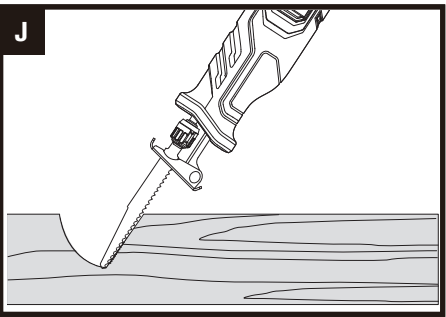
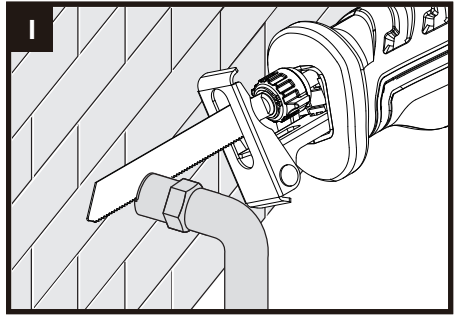
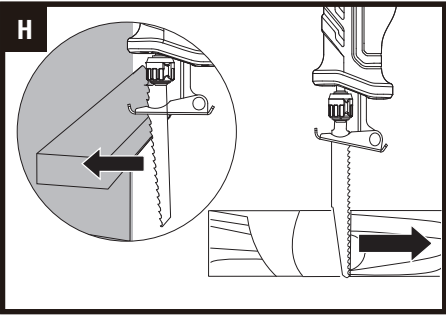
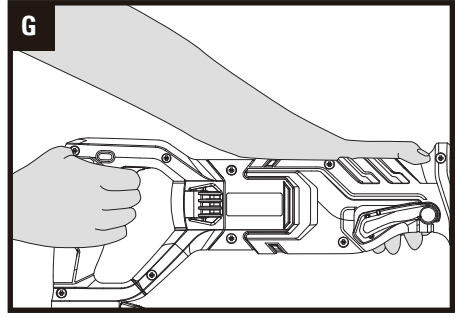
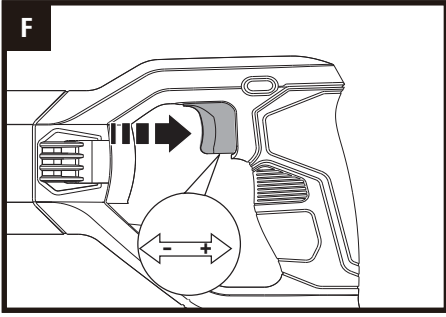
GENUINE PRODUCT OF  
HYUNDAI CORPORATION





8





# ORIGINAL INSTRUCTIONS

## PRODUCT SAFETY

### GENERAL POWER TOOL

### SAFETY WARNINGS



**WARNING!** Read all safety warnings, instructions, illustrations and specifications provided with this power tool. *Failure to follow all instructions listed below may result in electric shock, fire and/or serious injury.*

Save all warnings and instructions for future reference.

The term "power tool" in the warnings refers to your mains-operated (corded) power tool or battery-operated (cordless) power tool.

#### 1. WORK AREA SAFETY

- a) Keep work area clean and well lit. *Cluttered or dark areas invite accidents.*
- b) Do not operate power tools in explosive atmospheres, such as in the presence of flammable liquids, gases or dust. *Power tools create sparks which may ignite the dust or fumes.*
- c) Keep children and bystanders away while operating a power tool. *Distractions can cause you to lose control.*

#### 2. ELECTRICAL SAFETY

- a) Power tool plugs must match the outlet. Never modify the plug in any way. Do not use any adapter plugs with earthed (grounded) power tools. *Unmodified plugs and matching outlets will reduce risk of electric shock.*
- b) Avoid body contact with earthed or grounded surfaces, such as pipes, radiators, ranges and refrigerators. *There is an increased risk of electric shock if your body is earthed or grounded.*
- c) Do not expose power tools to rain or wet conditions. *Water entering a power tool will increase the risk of electric shock.*
- d) Do not abuse the cord. Never use the cord for carrying, pulling or unplugging the power tool. Keep cord away from heat, oil, sharp edges or moving parts. *Damaged or entangled cords increase the risk of electric shock.*
- e) When operating a power tool outdoors, use an extension cord suitable for outdoor use. *Use of a cord suitable for outdoor use reduces the risk of*

*electric shock.*

- f) If operating a power tool in a damp location is unavoidable, use a residual current device (RCD) protected supply. *Use of an RCD reduces the risk of electric shock.*

#### 3. PERSONAL SAFETY

- a) Stay alert, watch what you are doing and use common sense when operating a power tool. Do not use a power tool while you are tired or under the influence of drugs, alcohol or medication. *A moment of inattention while operating power tools may result in serious personal injury.*
- b) Use personal protective equipment. Always wear eye protection. *Protective equipment such as dust mask, non-skid safety shoes, hard hat, or hearing protection used for appropriate conditions will reduce personal injuries.*
- c) Prevent unintentional starting. Ensure the switch is in the off-position before connecting to power source and/or battery pack, picking up or carrying the tool. *Carrying power tools with your finger on the switch or energising power tools that have the switch on invites accidents.*
- d) Remove any adjusting key or wrench before turning the power tool on. *A wrench or a key left attached to a rotating part of the power tool may result in personal injury.*
- e) Do not overreach. Keep proper footing and balance at all times. *This enables better control of the power tool in unexpected situations.*
- f) Dress properly. Do not wear loose clothing or jewellery. Keep your hair, clothing and gloves away from moving parts. *Loose clothes, jewellery or long hair can be caught in moving parts.*
- g) If devices are provided for the connection of dust extraction and collection facilities, ensure these are connected and properly used. *Use of dust collection can reduce dust-related hazards.*
- h) Do not let familiarity gained from frequent use of tools allow you to become complacent and ignore tool safety principles. *A careless action can cause severe injury within a fraction of a second.*

#### 4. POWER TOOL USE AND CARE

- a) Do not force the power tool. Use the correct power tool for your application. *The correct power tool will do the job better and safer at the rate for which it was designed.*
- b) Do not use the power tool if the switch does not

## CORDLESS RECIPROCATING SAW

turn it on and off. *Any power tool that cannot be controlled with the switch is dangerous and must be repaired.*

- c) Disconnect the plug from the power source and/or the battery pack from the power tool before making any adjustments, changing accessories, or storing power tools. *Such preventive safety measures reduce the risk of starting the power tool accidentally.*
- d) Store idle power tools out of the reach of children and do not allow persons unfamiliar with the power tool or these instructions to operate the power tool. *Power tools are dangerous in the hands of untrained users.*
- e) Maintain power tools. Check for misalignment or binding of moving parts, breakage of parts and any other condition that may affect the power tool's operation. If damaged, have the power tool repaired before use. *Many accidents are caused by poorly maintained power tools.*
- f) Keep cutting tools sharp and clean. *Properly maintained cutting tools with sharp cutting edges are less likely to bind and are easier to control.*
- g) Use the power tool, accessories and tool bits etc. in accordance with these instructions, taking into account the working conditions and the work to be performed. *Use of the power tool for operations different from those intended could result in a hazardous situation.*
- h) Keep handles and grasping surfaces dry, clean and free from oil and grease. *Slippery handles and grasping surfaces do not allow for safe handling and control of the tool in unexpected situations.*

### 5. BATTERY TOOL USE AND CARE

- a) Recharge only with the charger specified by the manufacturer. *A charger that is suitable for one type of battery pack may create a risk of fire when used with another battery pack.*
- b) Use power tools only with specifically designated battery packs. *Use of any other battery packs may create a risk of injury and fire.*
- c) When battery pack is not in use, keep it away from other metal objects, like paper clips, coins, keys, nails, screws or other small metal objects, that can make a connection from

one terminal to another. *Shorting the battery terminals together may cause burns or a fire.*

- d) Under abusive conditions, liquid may be ejected from the battery; avoid contact. If contact accidentally occurs, flush with water. If liquid contacts eyes, additionally seek medical help. *Liquid ejected from the battery may cause irritation or burns.*
- e) Do not use a battery pack or tool that is damaged or modified. *Damaged or modified batteries may exhibit unpredictable behaviour resulting in fire, explosion or risk of injury.*
- f) Do not expose a battery pack or tool to fire or excessive temperature. *Exposure to fire or temperature above 130°C may cause explosion.*
- g) Follow all charging instructions and do not charge the battery pack or tool outside the temperature range specified in the instructions. *Charging improperly or at temperatures outside the specified range may damage the battery and increase the risk of fire.*

### 6. SERVICE

- a) Have your power tool serviced by a qualified repair person using only identical replacement parts. *This will ensure that the safety of the power tool is maintained.*
- b) Never service damaged battery packs. *Service of battery packs should only be performed by the manufacturer or authorized service providers.*

## RECIPROCATING SAW SAFETY WARNINGS

1. Hold reciprocating saw by insulated gripping surfaces, when performing an operation where the cutting accessory may contact hidden wiring. *Cutting accessory contacting a "live" wire may make exposed metal parts of the power tool "live" and could give the operator an electric shock.*
2. Use clamps or another practical way to secure and support the workpiece to a stable platform. *Holding the work by hand or against your body leaves it unstable and may lead to loss of control.*

## SYMBOLS



To reduce the risk of injury, user must read instruction manual



Warning



Wear ear protection



Wear eye protection



Wear dust mask



Waste electrical products must not be disposed of with household waste. Please recycle where facilities exist. Check with your local authorities or retailer for recycling advice.

RCM marking.

ABN: Australian Business Number.

By this number, business information such as entity type, status, business location etc. can be found at website <http://abr.business.gov.au>.

ABN of Positec Australia Pty Limited is 14 101 682 357.



## CORDLESS RECIPROCATING SAW

### COMPONENT LIST

1. BLADE
2. PIVOT FOOT PLATE
3. TOOL-FREE BLADE CLAMP LEVER
4. ON/OFF SWITCH
5. LOCK BUTTON
6. BATTERY PACK*
7. BATTERY PACK RELEASE BUTTON*
8. FOOTPLATE ADJUSTMENT LEVER

\* Not all the accessories illustrated or described are included in standard delivery.

### TECHNICAL DATA

Type RS20S-20 (20S-20-designation of machinery, representative of reciprocating saw)

Voltage	18V $\overline{\text{---}}$ (20V Max.)	
No load speed	0-3000 /min	
Stroke length	20mm	
Cutting capacity max	Wood	100mm
	Steel	10mm
Machine weight (without battery)	1.73kg	

### SUITABLE BATTERY PACKS

Item number	BI20-2	BI20-4
Battery capacity	2.0Ah	4.0Ah
	Not included	Recommended (not included)

### SUITABLE CHARGERS

Item number	C20-2	C20-4
Charger input	100-240V~50/60Hz, 55W	100-240V~50/60Hz, 95W
Charger output	20V $\overline{\text{---}}$ 2.0A	20V $\overline{\text{---}}$ 4.0A
Charging time (approx.)	1hr (2.0 Ah) 2hrs (4.0 Ah)	30mins (2.0 Ah) 60mins (4.0 Ah)
Charger protection class	$\square$ /II	$\square$ /II
	Not included	Not included




## NOISE INFORMATION

A weighted sound pressure	$L_{pA}$ : 84dB (A)
A weighted sound power	$L_{wA}$ : 92dB (A)
$K_{pA}$ & $K_{wA}$	5dB (A)
Wear ear protection.	

## VIBRATION INFORMATION

Vibration total values (triax vector sum) determined according to EN 62841:	
Cutting boards	Vibration emission value: $a_{h,B} = 16,7 \text{ m/s}^2$
	Uncertainty $K = 1.5\text{m/s}^2$
Cutting wooden beams	Vibration emission value: $a_{h,WB} = 18,6 \text{ m/s}^2$
	Uncertainty $K = 1.5\text{m/s}^2$

The declared vibration total value and the declared noise emission value have been measured in accordance with a standard test method and may be used for comparing one tool with another. The declared vibration total value and the declared noise emission value may also be used in a preliminary assessment of exposure.

 **WARNING:** The vibration and noise emissions during actual use of the power tool can differ from the declared value depending on the ways in which the tool is used especially what kind of workpiece is processed dependant on the following examples and other variations on how the tool is used:

How the tool is used and the materials being cut or drilled.


The tool being in good condition and well maintained.

The use of the correct accessory for the tool and ensuring it is sharp and in good condition.

The tightness of the grip on the handles and if any anti vibration and noise accessories are used.

And the tool is being used as intended by its design and these instructions.

This tool may cause hand-arm vibration syndrome if its use is not adequately managed.

 **WARNING:** To be accurate, an estimation of exposure level in the actual conditions of use should also take account of all parts of the operating cycle such as the times when the tool is switched off and when it is running idle but not actually doing the job. This may significantly reduce the exposure level over the total working period.

Helping to minimise your vibration and noise exposure risk.

Always use sharp chisels, drills and blades.

Maintain this tool in accordance with these instructions and keep well lubricated (where appropriate).

If the tool is to be used regularly then invest in anti vibration and noise accessories.

Plan your work schedule to spread any high vibration tool use across a number of days.

## ACCESSORIES

Wood cutting blade	1
Metal cutting blade	1

We recommend that you purchase your accessories from the same store that sold you the tool. Refer to the accessory packaging for further details. Store personnel can assist you and offer advice.

## CORDLESS RECIPROCATING SAW

### OPERATING INSTRUCTIONS



**NOTE:** Before using the tool, read the instruction book carefully.

#### INTENDED USE

The machine is intended for sawing wood, plastic, soft metal and building materials while resting firmly on the workpiece. It is suitable for straight and curved cuts.

#### ASSEMBLY

##### 1. TOOL-LESS BLADE FITTING AND REMOVING (SEE FIG. A1, A2)

- 1) Rotate the tool-free blade clamp lever anti-clockwise to its maximized angle and hold it.
- 2) Insert the blade shank into the blade clamp through the blade guard until it stops.  
Ensure the small hole in the blade is on the pin in the clamp.
- 3) Release the tool-free blade clamp lever.  
The clamp lever will return to original position automatically.
- 4) Pull up on blade to make sure that it is locked in place. To remove a blade, carry out these instructions in reverse order.



**WARNING:** Blade teeth are very sharp. Always wear protective gloves. For best cutting results ensure you use a saw blade suited to the material and cut quality you need.

##### 2. FOOTPLATE ADJUSTMENT (SEE FIG. B)

Adjust the position of footplate according to the blade length and workpiece thickness; always ensure that the blade extends beyond the workpiece throughout the stroke.

##### - Footplate angle adjustment

The pivot footplate tilts in order to keep as much of its surface in contact with the work surface. To adjust, hold the saw firmly and turn the pivot footplate to a desired position.

##### 3. DEPTH OF CUT ADJUSTMENT (SEE FIG. C1, C2)

If you need to reduce the cutting capacity of your tool (depth of cut), the pivot foot plate may be adjusted as follows.

- 1) Loosen the footplate adjustment lever by turning it downwards to the underside of the front housing.
- 2) Slide the pivoting footplate forwards or backwards to a required position.
- 3) Tighten the footplate adjustment lever by turning it upwards to the original position. Check that the footplate is firmly latched.

#### BEFORE PUTTING INTO OPERATION

##### 1. REMOVING & INSTALLING THE BATTERY PACK (NOT SUPPLIED) (SEE FIG. D1, D2)

To remove the battery pack, depress the battery pack release button firmly first, then slide the battery pack out from your tool.

To install the battery pack, slide the fully charged battery pack onto the tool with sufficient force until it clicks into position.

#### OPERATION

##### 1. SAFETY ON/OFF SWITCH (SEE FIG. E)

To lock the on/off switch, place the lock button in the center position. This helps to reduce the possibility of accidental starting when not in use. Depress the lock button to left or right then on/off switch and release the lock button. Your switch is now on. To switch off, just release the on/off switch.

**NOTE:** LED light will illuminate the working zone automatically when the product is switched on.



**WARNING:** Do not look directly into LED light!

##### 2. VARIABLE SPEED CONTROL (SEE FIG. F)

The on/off switch is also a variable speed controlled trigger switch. The blade plunger stroke rate can be adjusted from the minimum to maximum by the pressure you apply to the on/off switch.

Apply more pressure to increase the speed and release pressure to decrease speed.

##### 3. HAND GRIP AREAS (SEE FIG. G)

Always hold your saw firmly with both hands when operating.

##### 4. PLUNGE CUTTING (SEE FIG. H)



**WARNING:** The plunge cutting procedure

is only suitable for treating soft materials such as wood, plaster board or similar! Do not work soft metal materials with the plunge cutting procedure!

Use only short saw blades for plunge cutting. Place the saw with the edge of the blade foot onto the workpiece and switch on. For power tools with stroke speed control, set the maximum stroke speed. Press the saw firmly against the workpiece and allow the saw blade to slowly plunge into the workpiece.

As soon as the blade foot fully lays on the surface of the workpiece, continue sawing alongside the desired cutting line. For certain work, the saw blade can also be inserted turned through by 180° and the sabre saw can be guided accordingly in a reversed manner.

#### 5. FLUSH CUTTING (SEE FIG. I)



**WARNING:** Pay attention that the saw blade always extends beyond the diameter of the material being worked. There is danger of kickback.

It is possible to make cuts extremely close to floors, walls and other difficult areas. Insert the blade shank into the blade clamp with the blade teeth facing up (opposite to normal working position). This will make cuts closer to the work surface. Using special flexible blades insert the blade into the blade clamp with the blade teeth facing down (normal working position). It will allow flush pipe cutting.

#### 6. WOOD CUTTING

Always ensure the wood is firmly clamped to prevent movement. For easier control use low speed to start cutting, then increase to correct speed.

#### 7. METAL CUTTING

This saw has different metal cutting capacities depending upon the type of blade being used and metal being cut.

Always clamp the work down to prevent it from slipping.

Use a finer blade for ferrous metals and a coarse blade for non-ferrous metals.

When cutting thin gauge sheet metals, always clamp wood on both sides of the sheet. This will give you a clean cut without excess vibration or

tearing of the metal.

Do not force the cutting blade. Forcing the blade will reduce blade life and cause the blade to break.

**NOTE:** We recommend that you spread a thin film of oil or other coolant along the line of cut ahead of the saw. This will allow easier operation and help extend blade life. When cutting aluminum, use kerosene.

#### 8. POCKET CUTTING (SOFT MATERIALS ONLY. DO NOT PLUNGE CUT IN METAL SURFACES) (SEE FIG. J)

Mark the pocket or internal hole to be cut out. Insert the special cutting blade with blade teeth facing down and clamp securely. Angle the saw so that the back edge of the blade guard is resting on the work surface. Use a slow speed to start the cut to avoid breaking the blade but increase to correct speed once the cut has started. With the blade guard held firmly against the work surface, start a slow but controlled upward swing of the saw. The blade will cut into and through the material. Always ensure the blade is completely through the material before cutting the remainder of the pocket.

## WORKING HINTS FOR YOUR RECIPROCATING SAW

If your reciprocating saw becomes too hot, set the speed to maximum and run no load for 2-3 minutes to cool the motor.

Always ensure the work-piece is firmly held or clamped to prevent movement. The pivot footplate must be held firmly against the material being cut to reduce saw vibration, blade jumping and blade breakage.

## CORDLESS RECIPROCATING SAW

EN

### MAINTENANCE

Remove the battery before carrying out any adjustment, servicing or maintenance.

Your tool requires no additional lubrication or maintenance.

There are no user serviceable parts in your power tool. Never use water or chemical cleaners to clean your power tool. Wipe clean with a dry cloth. Always store your power tool in a dry place. Keep the motor ventilation slots clean. Keep all working controls free of dust. Occasionally you may see sparks through the ventilation slots. This is normal and will not damage your power tool.

### ENVIRONMENTAL PROTECTION



Waste electrical products must not be disposed of with household waste. Please recycle where facilities exist. Check with your local authorities or retailer for recycling advice.

# EC Declaration of Conformity

EN



We: **HYUNDAI Corporation Holdings Europe**  
Am Kronberger Hang 2A, 65824, Schwalbach am Taunus  
Germany

Declare that the product detailed below :  
**Cordless Reciprocating Saw**

**MODEL: RS20S-20**  
**FUNCTION : Sawing various materials**

Satisfies the requirements of the Council Directives :  
2006/42/EC, 2011/65/EU & (EU)2015/863, 2014/30/EU

Standards Conform to:  
EN 62841-1, EN 62841-2-11,  
EN IEC 55014-1, EN IEC 55014-2,  
EN IEC 63000

The person authorized to compile the technical file,  
Name : **Hyundae Kim**  
Address : **HYUNDAI Corporation Holdings Europe**  
65824 Schwalbach am Taunus, Germany

General Manager

---

Date : 2024.09.25

Jaiwon Hur

Project Manager

---

Sungwoo Hong

## AKKU-SÄBELSÄGE

# ORIGINALBETRIEBSANLEITUNG PRODUKTSICHERHEIT ALLGEMEINE SICHERHEITSHINWEISE FÜR ELEKTROWERKZEUGE



**WARNUNG!** Machen Sie sich mit allen Sicherheitswarnungen, Anweisungen, Abbildungen und Spezifikationen vertraut, die mit diesem Elektrowerkzeug geliefert werden. Die Nichtbeachtung der unten aufgeführten Anweisungen kann in elektrischen Schlägen, Feuer und/oder schweren Verletzungen resultieren.

Bewahren Sie alle Sicherheitshinweise und Anweisungen für die Zukunft auf.

Der in den Sicherheitshinweisen verwendete Begriff „Elektrowerkzeug“ bezieht sich auf akkubetriebene Elektrowerkzeuge (ohne Netzkabel).

### 1. ARBEITSPLATZSICHERHEIT

- a) Halten Sie Ihren Arbeitsbereich sauber und gut beleuchtet. Unordnung oder unbeleuchtete Arbeitsbereiche können zu Unfällen führen.
- b) Arbeiten Sie mit dem Elektrowerkzeug nicht in explosionsgefährdeter Umgebung, in der sich brennbare Flüssigkeiten, Gase oder Stäube befinden. Elektrowerkzeuge erzeugen Funken, die den Staub oder die Dämpfe entzünden können.
- c) Halten Sie Kinder und andere Personen während der Benutzung des Elektrowerkzeugs fern. Bei Ablenkung können Sie die Kontrolle über das Gerät verlieren.

### 2. ELEKTRISCHE SICHERHEIT

- a) Der Anschlussstecker des Elektrowerkzeuges muss in die Steckdose passen. Der Stecker darf in keiner Weise verändert werden. Verwenden Sie keine Adapterstecker gemeinsam mit schutzgeerdeten Elektrowerkzeugen. Unveränderte Stecker und passende Steckdosen verringern das Risiko eines elektrischen Schlages.
- b) Vermeiden Sie Körperkontakt mit geerdeten

Oberflächen wie von Rohren, Heizungen, Herden und Kühlschränken. Es besteht ein erhöhtes Risiko durch elektrischen Schlag, wenn Ihr Körper geerdet ist.

- c) Halten Sie Elektrowerkzeuge von Regen oder Nässe fern. Das Eindringen von Wasser in ein Elektrowerkzeug erhöht das Risiko eines elektrischen Schlages.
  - d) Zweckentfremden Sie das Kabel nicht, um das Elektrowerkzeug zu tragen, aufzuhängen oder um den Stecker aus der Steckdose zu ziehen. Halten Sie das Kabel fern von Hitze, Öl, scharfen Kanten oder sich bewegenden Geräteteilen. Beschädigte oder verwickelte Kabel erhöhen das Risiko eines elektrischen Schlages.
  - e) Wenn Sie mit einem Elektrowerkzeug im Freien arbeiten, verwenden Sie nur Verlängerungskabel, die auch für den Außenbereich geeignet sind. Die Anwendung eines für den Außenbereich geeigneten Verlängerungskabels verringert das Risiko eines elektrischen Schlages.
  - f) Wenn der Betrieb des Elektrowerkzeuges in feuchter Umgebung nicht vermeidbar ist, verwenden Sie einen Fehlerstromschutzschalter. Der Einsatz eines Fehlerstromschutzschalters vermindert das Risiko eines elektrischen Schlages.
- ### 3. SICHERHEIT VON PERSONEN
- a) Seien Sie aufmerksam, Achten Sie darauf, was Sie tun, und gehen Sie mit Vernunft an die Arbeit mit einem Elektrowerkzeug. Benutzen Sie kein Elektrowerkzeug, wenn Sie müde sind oder unter dem Einfluss von Drogen, Alkohol oder Medikamenten stehen. Ein Moment der Unachtsamkeit beim Gebrauch des Elektrowerkzeuges kann zu ernsthaften Verletzungen führen.
  - b) Tragen Sie persönliche Schutzausrüstung und immer eine Schutzbrille. Das Tragen persönlicher Schutzausrüstung, wie Staubmaske, rutschfeste Sicherheitsschuhe, Schutzhelm oder Gehörschutz, je nach Art und Einsatz des Elektrowerkzeuges, verringert das Risiko von Verletzungen.
  - c) Vermeiden Sie eine unbeabsichtigte Inbetriebnahme. Vergewissern Sie sich, dass das Elektrowerkzeug ausgeschaltet

ist, bevor Sie es an den Akku anschließen, es aufnehmen oder tragen. *Wenn Sie beim Tragen des Elektrowerkzeuges den Finger am Schalter haben oder das Gerät eingeschaltet an die Stromversorgung anschließen, kann dies zu Unfällen führen.*

- d) Entfernen Sie Einstellwerkzeuge oder Schraubenschlüssel, bevor Sie das Elektrowerkzeug einschalten. *Ein Werkzeug oder Schlüssel, der sich in einem drehenden Geräteteil befindet, kann zu Verletzungen führen.*
- e) Vermeiden Sie eine abnormale Körperhaltung. Sorgen Sie für einen sicheren Stand und halten Sie jederzeit das Gleichgewicht. *Dadurch können Sie das Elektrowerkzeug in unerwarteten Situationen besser kontrollieren.*
- f) Tragen Sie geeignete Kleidung. Tragen Sie keine weite Kleidung oder Schmuck. Halten Sie Haare und Kleidung fern von sich bewegenden Teilen. *Lockere Kleidung, Schmuck oder lange Haare können von sich bewegenden Teilen erfasst werden.*
- g) Wenn Staubabsaug- und -auffangeinrichtungen montiert werden können, vergewissern Sie sich, dass diese angeschlossen sind und richtig verwendet werden. *Verwendung einer Staubabsaugung kann Gefährdungen durch Staub verringern.*
- h) Vermeiden Sie, durch die häufige Nutzung des Werkzeugs in einen Trott zu verfallen und Prinzipien für die Werkzeugsicherheit zu ignorieren. *Eine unachtsame Aktion kann im Bruchteil einer Sekunde zu schweren Verletzungen führen.*

#### 4. VERWENDUNG UND BEHANDLUNG DES ELEKTROWERKZEUGES

- a) Überlasten Sie das Gerät nicht. Verwenden Sie für Ihre Arbeit das dafür bestimmte Elektrowerkzeug. *Mit dem passenden Elektrowerkzeug arbeiten Sie besser und sicherer im angegebenen Leistungsbereich.*
- b) Benutzen Sie kein Elektrowerkzeug, dessen Schalter defekt ist. *Ein Elektrowerkzeug, das sich nicht mehr ein- oder ausschalten lässt, ist gefährlich und muss repariert werden.*
- c) Klemmen Sie den Stecker von der Stromversorgung ab und/oder entfernen Sie den Akku (falls abnehmbar) aus

dem Elektrowerkzeug, bevor Sie Geräteeinstellungen vornehmen, Zubehörteile wechseln oder das Gerät weglegen. *Diese Vorsichtsmaßnahme verhindert den unbeabsichtigten Start des Elektrowerkzeuges.*

- d) Bewahren Sie unbenutzte Elektrowerkzeuge außerhalb der Reichweite von Kindern auf. Lassen Sie Personen das Gerät nicht benutzen, die mit diesem nicht vertraut sind oder diese Anweisungen nicht gelesen haben. *Elektrowerkzeuge sind gefährlich, wenn Sie von unerfahrenen Personen benutzt werden.*
- e) Warten Sie die Elektrowerkzeuge und Zubehör. Kontrollieren Sie, ob bewegliche Teile einwandfrei funktionieren und nicht klemmen, ob Teile gebrochen oder so beschädigt sind, dass die Funktion des Elektrowerkzeuges beeinträchtigt ist. Lassen Sie beschädigte Teile vor dem Einsatz des Gerätes reparieren. *Viele Unfälle haben ihre Ursache in schlecht gewarteten Elektrowerkzeugen.*
- f) Halten Sie Schneidwerkzeuge scharf und sauber. *Sorgfältig gepflegte Schneidwerkzeuge mit scharfen Schneidkanten verklemmen sich weniger und sind leichter zu führen.*
- g) Verwenden Sie Elektrowerkzeug, Zubehör, Einsatzwerkzeuge usw. entsprechend diesen Anweisungen. Berücksichtigen Sie dabei die Arbeitsbedingungen und die auszuführende Tätigkeit. *Der Gebrauch von Elektrowerkzeugen für andere als die vorgesehenen Anwendungen kann zu gefährlichen Situationen führen.*
- h) Halten Sie die Griffe trocken, sauber und frei von Öl und Fett. *Rutschige Griffe und Oberflächen unterbinden die sichere Bedienbarkeit und Kontrolle über das Werkzeug in unerwarteten Situationen.*

#### 5. VERWENDUNG UND BEHANDLUNG DES AKKUWERKZEUGS

- a) Laden Sie die Akkus nur in Ladegeräten auf, die vom Hersteller empfohlen werden. *Für ein Ladegerät, das für eine bestimmte Art von Akkus geeignet ist, besteht Brandgefahr, wenn es mit anderen Akkus verwendet wird.*
- b) Verwenden Sie nur die dafür vorgesehenen

## AKKU-SÄBELSÄGE

Akkus in den Elektrowerkzeugen. *Der Gebrauch von anderen Akkus kann zu Verletzungen und Brandgefahr führen.*

- c) Halten Sie den nicht benutzten Akku fern von Büroklammern, Münzen, Schlüsseln, Nägeln, Schrauben oder anderen kleinen Metallgegenständen, die eine Überbrückung der Kontakte verursachen könnten. *Ein Kurzschluss zwischen den Akkukontakten kann Verbrennungen oder Feuer zur Folge haben.*
- d) Bei falscher Anwendung kann Flüssigkeit aus dem Akku austreten. Vermeiden Sie den Kontakt damit. Bei zufälligem Kontakt mit Wasser abspülen. Wenn die Flüssigkeit in die Augen kommt, nehmen Sie zusätzlich ärztliche Hilfe in Anspruch. *Austretende Akkufflüssigkeit kann zu Hautreizungen oder Verbrennungen führen.*
- e) Verwenden Sie kein Akkupack oder Werkzeug, das beschädigt ist. *Beschädigte oder modifizierte Akkus können unvorhersehbare Reaktionen auslösen und zu Bränden, Explosionen oder Verletzungen führen.*
- f) Setzen Sie das Akkupack oder Werkzeug keinem Feuer oder übermäßig hohen Temperaturen aus. *Die Belastung durch Feuer oder Temperaturen über 130 °C kann zur Explosion führen.*
- g) Befolgen Sie alle Ladeanweisungen, und laden Sie das Akkupack oder Werkzeug nicht außerhalb des in den Anweisungen festgelegten Temperaturbereichs auf. *Ein unsachgemäßer Ladevorgang oder Temperaturen außerhalb des festgelegten Bereichs können den Akku schädigen und die Brandgefahr erhöhen.*
6. SERVICE
- a) Lassen Sie Ihr Elektrowerkzeug nur von qualifiziertem Fachpersonal und nur mit Original-Ersatzteilen reparieren. *Damit wird sichergestellt, dass die Sicherheit des Gerätes erhalten bleibt.*
- b) Führen Sie niemals Wartungsarbeiten an beschädigten Akkus durch. *Die Wartung von Akkupacks darf nur vom Hersteller selbst oder autorisierten Dienstleistern durchgeführt werden.*

## SICHERHEITSHINWEISE FÜR SÄBELSÄGE

- Halten Sie das Werkzeug an den isolierten Griffen, wenn die Gefahr besteht, dass Sie beim Arbeiten in Wänden, Decken usw. verborgene Leitungen oder das Netzkabel berühren könnten. *Metallteile am Werkzeug, die mit stromführenden Drähten in Berührung kommen, werden selbst stromführend und können der Bedienperson einen elektrischen Schlag versetzen.*
- Sichern Sie das Werkstück zum Beispiel mit Einspannvorrichtungen auf einer stabilen Plattform. *Das Werkstück ist instabil, wenn es mit der Hand oder dem Körper abgestützt wird, was zum Verlust der Kontrolle führen kann.*

## SYMBOLE



Zur Reduzierung der Verletzungsgefahr bitte die Bedienungsanleitung durchlesen



Warnung



Tragen Sie einen Gehörschutz



Tragen Sie eine Schutzbrille



Tragen Sie eine Staubmaske



Elektroprodukte dürfen nicht mit dem normalen Haushaltsmüll entsorgt werden, sondern sollten nach Möglichkeit zu einer Recyclingstelle gebracht werden. Ihre zuständigen Behörden oder Ihr Fachhändler geben Ihnen hierzu gerne Auskunft.



## KOMPONENTENLISTE

1. SÄGEBLATT
2. SCHWENKBARE FUSSPLATTE
3. WERKZEUGLOSER KLINGENKLEMMHEBEL
4. EIN-/AUSSCHALTER
5. SPERRKNOPF
6. AKKUPACK*
7. AKKUPACK-ENTRIEGELUNGSKNOPF*
8. FUSSPLATTENVERSTELLHEBEL

\* Nicht alle abgebildeten oder beschriebenen Zubehörteile sind in der Standardlieferung enthalten.

## TECHNISCHE DATEN

Typ RS20S-20 (20S-20-Bezeichnung der Maschine, stellvertretend für batteriebetriebene Repräsentant Säbelsäge)

Spannung	18V $\equiv$ (20V Max.)	
Leerlaufdrehzahl	0-3000 /min	
Strichlänge	20mm	
Schneidleistung	Holz	100mm
	Stahl	10mm
Maschinengewicht (ohne Batterie)	1.73kg	

## GEEIGNETE AKKUPACKS

Artikelnummer	BI20-2	BI20-4
Batteriekapazität	2.0Ah	4.0Ah
	Nicht enthalten	Empfohlen (nicht enthalten)

## GEEIGNETE LADEGERÄTE

Artikelnummer	C20-2	C20-4
Ladegerät-Eingang	100-240V~50/60Hz, 55W	100-240V~50/60Hz, 95W
Ladegerät-Ausgang	20V $\equiv$ 2.0A	20V $\equiv$ 4.0A
Ladezeit (ungefähr)	1hr (2.0 Ah) 2hrs (4.0 Ah)	30mins (2.0 Ah) 60mins (4.0 Ah)
Ladeschutzklasse	<input type="checkbox"/> /II	<input type="checkbox"/> /II
	Nicht enthalten	Nicht enthalten

## INFORMATIONEN ÜBER LÄRM

Gewichteter Schalldruck	$L_{pA}$ : 84dB (A)
Gewichtete Schalleistung	$L_{wA}$ : 92dB (A)
$K_{pA}$ & $K_{wA}$	5dB (A)
Tragen Sie einen Gehörschutz.	

## AKKU-SÄBELSÄGE

### VIBRATIONSINFORMATIONEN

Vibrations Gesamt Messwertermittlung gemäß EN 62841:	
Brett schneiden	Vibrationsemissionswert: $a_{h,B} = 16,7\text{m/s}^2$
	Unsicherheit $K = 1.5\text{m/s}^2$
Holzbalken schneiden	Vibrationsemissionswert: $a_{h,WB} = 18,6\text{m/s}^2$
	Unsicherheit $K = 1.5\text{m/s}^2$

Der angegebene Vibrationsgesamtwert kann und der angegebene Vibrationsemissionswert wurden gemäß Standardprüfverfahren gemessen und können zum Vergleichen eines Werkzeug mit einem anderen verwendet werden.

Der angegebene Vibrationsgesamtwert und der angegebene Vibrationsemissionswert können auch für eine anfängliche Beurteilung der Beeinträchtigung verwendet werden.

**⚠️ WARNUNG!** Die Vibrations- und Lärmemissionen bei der eigentlichen Nutzung des Elektrowerkzeugs können vom angegebenen Wert abweichen, je nachdem, wie das Werkzeug verwendet wird und insbesondere abhängig davon, welcher Werkstücktyp verarbeitet wird, und abhängig von folgenden Beispielen und verschiedenen Einsatzmöglichkeiten des Werkzeugs: Wie das Werkzeug verwendet wird und Materialien geschnitten oder angebohrt werden.

Das Werkzeug ist in gutem Zustand und gut gepflegt.

Verwendung des richtigen Zubehörs für das Werkzeug und Gewährleistung seiner Schärfe und seines guten Zustands.

Die Festigkeit des Griffs auf den Handgriffen und, falls Antivibrations- und Lärmschutzzubehör verwendet wird.

Und ob das verwendete Werkzeug dem Design und diesen Anweisungen entsprechend verwendet wird.

**Wird dieses Werkzeug nicht angemessen gehandhabt, kann es ein Hand-Arm-Vibrationssyndrom erzeugen.**

**⚠️ WARNUNG!** Um genau zu sein, sollte ein Abschätzung des Belastungsgrades aller Arbeitsabschnitte während tatsächlicher Verwendung berücksichtigt werden, z.B. die Zeiten, wenn das Werkzeug ausgeschaltet ist, und wenn es sich im Leerlauf befindet und eigentlich nicht eingesetzt wird. Auf diese Weise kann der Belastungsgrad während der gesamten Arbeitszeit wesentlich gemindert werden.

Hilft dabei, das Risiko der Vibrations- und Lärmbelastung zu minimieren.

Verwenden Sie **IMMER** scharfe Meißel, Bohrer und Sägeblätter.

Pflegen Sie dieses Werkzeug diesen Anweisungen entsprechend und achten Sie auf eine gute Einfettung (wo erforderlich).

Falls das Werkzeug regelmäßig verwendet werden soll, investieren Sie in Antivibrations- und Lärmschutzzubehör.

Machen Sie einen Arbeitsplan, um die Verwendung von hochvibrierenden Werkzeugen auf mehrere Tage zu verteilen.

### ZUBEHÖR

Holzschneidmesser	1
Metallsägeblatt	1

Wir empfehlen, dass Sie Ihr Zubehör in dem Geschäft kaufen, in dem Sie das Werkzeug verkauft haben. Weitere Einzelheiten finden Sie in der Verpackung des Zubehörs. Das Ladenpersonal kann Ihnen behilflich sein und Ratschläge geben.

## BETRIEBSANLEITUNG



**HINWEIS:** Bitte lesen Sie die Bedienungsanleitung sorgfältig durch, bevor Sie das Werkzeug verwenden.

### VERWENDUNGSZWECK

Die Maschine wird zum Sägen von Holz, Kunststoff, Metall und Baumaterialien verwendet, während sie fest am Werkstück befestigt ist. Geeignet für gerades und gebogenes Schneiden.

### MONTAGE

#### 1. WERKZEUGLOSES EINSETZEN UND ENTFERNEN DES SÄGEBLATTS (SIEHE ABB. A1, A2)

- 1) Drehen Sie den werkzeuglosen Sägeblattspannhebel gegen den Uhrzeigersinn bis zum maximalen Winkel und halten Sie ihn fest.
- 2) Führen Sie den Sägeblattschutz durch den Sägeblattschutz in die Sägeblattklemme ein, bis er stoppt. Stellen Sie sicher, dass das kleine Loch im Sägeblatt auf dem Stift in der Klemme liegt.
- 3) Lassen Sie den werkzeuglosen Sägeblattspannhebel los. Der Spannhebel kehrt automatisch in die Ausgangsposition zurück.
- 4) Ziehen Sie am Sägeblatt, um sicherzustellen, dass es fest eingesetzt ist. Um ein Sägeblatt zu entfernen, führen Sie diese Anweisungen in umgekehrter Reihenfolge durch.

**! WARNUNG:** Die Klingenzähne sind sehr scharf. Um die besten Schnittergebnisse zu erzielen, verwenden Sie bitte eine Klinge, die für das Material und die Schnittqualität geeignet ist, die Sie benötigen.

#### 2. EINSTELLUNG DER FUSSPLATTE (SIEHE ABB. B)

Stellen Sie die Position des Fußpedals entsprechend der Länge der Klinge und der Dicke des Werkstücks ein und achten Sie immer darauf, dass die Klinge während des gesamten Hubs das Werkstück überschreitet.

#### - Pedalwinkeleinstellung

Das Drehfußpedal ist so geneigt, dass

seine Oberfläche so weit wie möglich mit der Arbeitsfläche in Kontakt steht. Um Einstellungen vorzunehmen, halten Sie die Säge fest und drehen Sie das Fußpedal in die gewünschte Position.

#### 3. EINSTELLUNG DER SCHNITTtieFE (SIEHE ABB. C1, C2)

Wenn Sie die Schnittkapazität Ihres Werkzeugs (Schnitttiefe) verringern müssen, kann die schwenkbare Fußplatte wie folgt angepasst werden:

- 1) Lösen Sie den Fußplattenverstellhebel, indem Sie ihn nach unten zur Unterseite des vorderen Gehäuses drehen.
- 2) Schieben Sie die schwenkbare Fußplatte nach vorne oder hinten in die gewünschte Position.
- 3) Ziehen Sie den Fußplattenverstellhebel fest, indem Sie ihn nach oben in die Ausgangsposition drehen. Überprüfen Sie, ob die Fußplatte sicher einrastet.

### VOR DER INBETRIEBNAHME

#### 1. ENTFERNEN ODER INSTALLIEREN DES BATTERIEPACKS (NICHT ENTHALTEN) (SIEHE ABB. D1, D2)

Um den Akkupack zu entfernen, drücken Sie zuerst fest auf die Akkupack-Freigabetaste und schieben Sie dann den Akkupack aus Ihrem Werkzeug heraus.

Um den Akkupack zu installieren, schieben Sie den vollständig geladenen Akkupack mit ausreichender Kraft auf das Werkzeug, bis er hörbar einrastet.

### BETRIEB

#### 1. EIN/AUS-SICHERHEITSSCHALTER (SIEHE ABB. E)

Um den Ein/Aus-Schalter zu verriegeln, platzieren Sie die Sperrtaste in der Mittelstellung. Dies hilft, die Möglichkeit eines unbeabsichtigten Starts bei Nichtgebrauch zu reduzieren.

Drücken Sie die Sperrtaste nach links oder rechts, dann den Ein/Aus-Schalter, und lassen Sie die Sperrtaste los. Ihr Schalter ist jetzt eingeschaltet. Zum Ausschalten lassen Sie einfach den Ein/Aus-Schalter los.

**HINWEIS:** Die LED-Leuchte beleuchtet

## AKKU-SÄBELSÄGE

automatisch den Arbeitsbereich, wenn das Produkt eingeschaltet ist.



**WARNUNG:** Schauen Sie nicht direkt in die LED-Leuchte!

### 2. GESCHWINDIGKEITSREGELUNG (SIEHE ABB. F)

Der Ein/Aus-Schalter ist auch ein variables Geschwindigkeitsregelungstrigger. Die Hubzahl des Sägeblattes kann durch den Druck, den Sie auf den Ein/Aus-Schalter ausüben, von minimal auf maximal eingestellt werden.

Üben Sie mehr Druck aus, um die Geschwindigkeit zu erhöhen, und lassen Sie den Druck los, um die Geschwindigkeit zu verringern.

### 3. HANDGRIFFBEREICHE (SIEHE ABB. G)

Halten Sie die Säge während des Betriebs immer mit beiden Händen fest.

### 4. EINTAUCHSCHNEIDEN (SIEHE ABB. H)



**WARNUNG:** Das Eintauchschneiden ist nur für weiche Materialien wie Holz, Gipskarton oder ähnliches geeignet! Arbeiten Sie nicht mit weichen Metallmaterialien mit dem Eintauchschneiden!

Verwenden Sie nur kurze Sägeblätter für das Eintauchschneiden.

Platzieren Sie die Säge mit der Kante des Sägeblattfußes auf dem Werkstück und schalten Sie sie ein. Bei Elektrowerkzeugen mit Hubzahlregelung stellen Sie die maximale Hubzahl ein. Drücken Sie die Säge fest gegen das Werkstück und lassen Sie das Sägeblatt langsam ins Werkstück eintauchen.

Sobald der Sägeblattfuß vollständig auf der Oberfläche des Werkstücks aufliegt, fahren Sie mit dem Sägen entlang der gewünschten Schnittlinie fort. Für bestimmte Arbeiten kann das Sägeblatt auch um 180° gedreht eingeführt und die Stichsäge entsprechend in umgekehrter Weise geführt werden.

### 5. SPÜLSCHNEIDEN (SIEHE ABB. I)



**WARNUNG:** Achten Sie darauf, dass das Sägeblatt immer über den Durchmesser des bearbeiteten Materials hinausragt. Es besteht die Gefahr des Rückschlags.

Der Schnitt kann sehr nahe am Boden, an der

Wand und an anderen schwierigen Stellen liegen. Führen Sie den Klingengriff nach oben (entgegen der normalen Betriebsposition) in den Klingenhalter ein. Dadurch wird der Schnitt näher an die Arbeitsfläche gebracht.

Verwenden Sie eine spezielle flexible Klinge, um die Klinge mit den Klingenzähnen nach unten in den Klingenhalter einzuführen (normale Arbeitsposition). Dies ermöglicht das Schneiden von Spülrohren.

### 6. HOLZSCHNEIDEN

Stellen Sie immer sicher, dass das Werkstück fest eingespannt ist, um eine Bewegung zu verhindern. Beginnen Sie zur einfacheren Kontrolle mit dem Schneiden mit niedriger Geschwindigkeit und erhöhen Sie dann die richtige Geschwindigkeit.

### 7. METALLSCHNEIDEN

Diese Säge hat je nach Art des verwendeten Sägeblatts und des zu schneidenden Metalls unterschiedliche Zerspannungskapazitäten. Immer die Arbeit festklemmen, um ein Verrutschen zu verhindern.

Verwenden Sie eine feinere Klinge für Eisenmetalle und eine grobe Klinge für Nichteisenmetalle.

Wenn Sie dünne Bleche schneiden, klemmen Sie Immer Holz auf beiden Seiten des Blechs. Dadurch erhalten Sie einen sauberen Schnitt, ohne dass das Metall übermäßig vibriert oder reißt.

Überlasten Sie das Gerät Nicht. Wenn Sie die Klinge fest drücken, verkürzt sich die Lebensdauer der Klinge und die Klinge bricht.

**HINWEIS:** Wir empfehlen, vor der Säge einen Film aus Öl oder einem anderen Kühlmittel auf der Schneidlinie zu verteilen. Dies erleichtert die Bedienung und verlängert die Lebensdauer der Klinge. Verwenden Sie beim Schneiden von Aluminium Kerosin.

### 8. TASCHENSCHNEIDEN (NUR WEICHE MATERIALIEN. NICHT IN DIE METALLOBERFLÄCHE SCHNEIDEN.) (SIEHE ABB. J)

Markieren Sie die zu schneidende Stelle in der Tasche oder im inneren Loch. Setzen Sie ein spezielles Sägeblatt mit den Zähnen nach unten

ein und klemmen Sie es fest. Stellen Sie den Winkel der Säge so ein, dass die Hinterkante des Sägeblattschutzes auf der Arbeitsfläche aufliegt. Beginnen Sie mit einer langsamen Geschwindigkeit, um ein Brechen der Klinge zu vermeiden. Wenn Sie jedoch mit dem Schneiden beginnen, erhöhen Sie die Geschwindigkeit, um die richtige Geschwindigkeit zu erreichen. Wenn der Sägeblattschutz fest an der Arbeitsfläche befestigt ist, beginnt die langsame, aber kontrollierte Säge nach oben zu schwingen. Die Klinge schneidet in und durch das Material. Stellen Sie vor dem Schneiden des Restes der Tasche immer sicher, dass die Klinge vollständig durch das Material läuft.

## ARBEITSHINWEISE FÜR IHRE SÄBELSÄGE

Wenn das Werkzeug zu heiß wird, lassen Sie es 2-3 Minuten im Leerlauf laufen, um den Motor abzukühlen.

Das Werkstück muss bei allen Arbeiten sicher befestigt oder festgeklemmt werden, damit es nicht verrutschen kann.


Der bewegliche Führungsschlitten muss stets fest gegen das zu schneidende Material gedrückt werden, um Vibrationen und ein Springen oder Brechen des Sägeblatts zu verhindern.

## WARTUNG

Entfernen Sie das Akkupack, bevor Sie Einstellungen, Service- oder Wartungsarbeiten daran durchführen.

Es gibt keine vom Anwender zu wartenden Teile in diesem Elektrowerkzeug. Reinigen Sie Ihr Werkzeug niemals mit Wasser oder chemischen Lösungsmitteln. Wischen Sie es mit einem trockenen Tuch sauber. Lagern Sie Ihr Werkzeug immer an einem trockenen Platz. Sorgen Sie dafür, dass bei staubigen Arbeiten die Lüftungsöffnungen frei sind. Halten Sie alle Bedienelemente staubfrei. Gelegentlich sind durch die Lüftungsschlitze hindurch Funken zu sehen. Dies ist normal und wird Ihr Werkzeug nicht beschädigen.

## UMWELTSCHUTZ

 Elektroprodukte dürfen nicht mit dem normalen Haushaltsmüll entsorgt werden, sondern sollten nach Möglichkeit zu einer Recyclingstelle gebracht werden. Ihre zuständigen Behörden oder Ihr Fachhändler geben Ihnen hierzu gerne Auskunft.

## AKKU-SÄBELSÄGE

EC

## Konformitätserklärung

CE

Wir :

HYUNDAI Corporation Holdings Europe  
Am Kronberger Hang 2A, 65824, Schwalbach am Taunus  
Germany

Erklären, dass das unten aufgeführte Produkt :  
**Akku-Säbelsäge**

MODELL: RS20S-20  
FUNKTION: Sägen verschiedener Materialien

Erfüllt die Anforderungen der Richtlinien des Rates :  
2006/42/EC, 2011/65/EU & (EU)2015/863, 2014/30/EU

Standards entsprechen der :  
EN 62841-1, EN 62841-2-11,  
EN IEC 55014-1, EN IEC 55014-2,  
EN IEC 63000

Die für die Zusammenstellung der technischen Unterlagen befugte Person,  
Name : Hyundae Kim  
Adresse : HYUNDAI Corporation Holdings Europe  
65824 Schwalbach am Taunus, Germany

Geschäftsführer



Jaiwon Hur


Projektleiter



Sungwoo Hong

Datum : 2024.09.25

# NOTICE ORIGINALE SÉCURITÉ DU PRODUIT AVERTISSEMENTS DE SÉCURITÉ GÉNÉRAUX POUR L'OUTIL

 **AVERTISSEMENT!** Lire l'ensemble des mises en garde, instructions, illustrations et spécifications fourni avec cet outil électrique. *Ne pas suivre toutes les instructions énumérées ci-dessous peut conduire à une électrocution, un incendie et / ou des blessures graves.*

Conserver tous les avertissements et toutes les instructions pour pouvoir s'y reporter ultérieurement.

Le terme «outil» dans les avertissements fait référence à votre outil électrique alimenté par le secteur (avec cordon d'alimentation) ou votre outil fonctionnant sur batterie (sans cordon d'alimentation).

## 1. SÉCURITÉ DE LA ZONE DE TRAVAIL

- Conservé la zone de travail propre et bien éclairée. *Les zones en désordre ou sombres sont propices aux accidents.*
- Ne pas faire fonctionner les outils électriques en atmosphère explosive, par exemple en présence de liquides inflammables, de gaz ou de poussières. *Les outils électriques produisent des étincelles qui peuvent enflammer les poussières ou les fumées.*
- Maintenir les enfants et les personnes présentes à l'écart pendant l'utilisation de l'outil. *Les distractions peuvent vous faire perdre le contrôle de l'outil.*

## 2. SÉCURITÉ ÉLECTRIQUE

- Il faut que les fiches de l'outil électrique soient adaptées au socle. Ne jamais modifier la fiche de quelque façon que ce soit. Ne pas utiliser d'adaptateurs avec des outils à branchement de terre. *Des fiches non modifiées et des socles adaptés réduiront le risque de choc électrique.*
- Éviter tout contact du corps avec des surfaces reliées à la terre telles que les tuyaux, les radiateurs, les cuisinières et les

réfrigérateurs. *Il existe un risque accru de choc électrique si votre corps est relié à la terre.*

- Ne pas exposer les outils à la pluie ou à des conditions humides. *La pénétration d'eau à l'intérieur d'un outil augmentera le risque de choc électrique.*
- Ne pas maltraiter le cordon. Ne jamais utiliser le cordon pour porter, tirer ou débrancher l'outil. Maintenir le cordon à l'écart de la chaleur, du lubrifiant, des arêtes ou des parties en mouvement. *Des cordons endommagés ou emmêlés augmentent le risque de choc électrique.*
- Lorsqu'on utilise un outil à l'extérieur, utiliser un prolongateur adapté à l'utilisation extérieure. *L'utilisation d'un cordon adapté à l'utilisation extérieure réduit le risque de choc électrique.*
- Si l'usage d'un outil dans un emplacement humide est inévitable, utiliser une alimentation protégée par un dispositif à courant différentiel résiduel (DDR). *L'usage d'un DDR réduit le risque de choc électrique.*

## 3. SÉCURITÉ DES PERSONNES

- Restez vigilant, regardez ce que vous êtes en train de faire et faites preuve de bon sens dans votre utilisation de l'outil. Ne pas utiliser un outil lorsque vous êtes fatigué ou sous l'emprise de drogues, d'alcool ou de médicaments. *Un moment d'inattention en cours d'utilisation d'un outil peut entraîner des blessures graves des personnes.*
- Utiliser un équipement de sécurité. Toujours porter une protection pour les yeux. *Les équipements de sécurité tels que les masques contre les poussières, les chaussures de sécurité antidérapantes, les casques ou les protections acoustiques utilisés pour les conditions appropriées réduiront les blessures de personnes.*
- Éviter tout démarrage intempestif. S'assurer que l'interrupteur est en position arrêt avant de brancher l'outil au secteur et/ou au bloc de batteries, de le ramasser ou de le porter. *Porter les outils en ayant le doigt sur l'interrupteur ou brancher des outils dont l'interrupteur est en position marche est source d'accidents.*

## SCIE SABRE SANS FIL

- d) Retirer toute clé de réglage avant de mettre l'outil en marche. *Une clé laissée fixée sur une partie tournante de l'outil peut donner lieu à des blessures de personnes.*
- e) Ne pas se précipiter. Garder une position et un équilibre adaptés à tout moment. *Cela permet un meilleur contrôle de l'outil dans des situations inattendues.*
- f) S'habiller de manière adaptée. Ne pas porter de vêtements amples ou de bijoux. Garder les cheveux, les vêtements et les gants à distance des parties en mouvement. *Des vêtements amples, des bijoux ou les cheveux longs peuvent être pris dans des parties en mouvement.*
- g) Si des dispositifs sont fournis pour le raccordement d'équipements pour l'extraction et la récupération des poussières, s'assurer qu'ils sont connectés et correctement utilisés. *Utiliser des collecteurs de poussière peut réduire les risques dus aux poussières.*
- h) Ne pas laisser les habitudes acquises au cours d'une utilisation fréquente des outils nous rendre complaisants et ignorer les principes de sécurité de l'outil. *Une action imprudente peut entraîner des blessures graves en une fraction de seconde.*

### 4. UTILISATION ET ENTRETIEN DE L'OUTIL

- a) Ne pas forcer l'outil. Utiliser l'outil adapté à votre application. *L'outil adapté réalisera mieux le travail et de manière plus sûre au régime pour lequel il a été construit.*
- b) Ne pas utiliser l'outil si l'interrupteur ne permet pas de passer de l'état de marche à arrêt et vice versa. *Tout outil qui ne peut pas être commandé par l'interrupteur est dangereux et il faut le réparer.*
- c) Débrancher la prise de la source d'alimentation et / ou retirer la batterie, si elle est amovible, de l'outil, avant tout réglage, changement d'accessoires ou avant de ranger l'outil. *De telles mesures de sécurité préventives réduisent le risque de démarrage accidentel de l'outil.*
- d) Conserver les outils à l'arrêt hors de la portée des enfants et ne pas permettre à des personnes ne connaissant pas l'outil ou les

présentes instructions de le faire fonctionner. *Les outils sont dangereux entre les mains d'utilisateurs novices.*

- e) Entretien des outils et accessoires électriques. Vérifier qu'il n'y a pas de mauvais alignement ou de blocage des parties mobiles, des pièces cassées ou toute autre condition pouvant affecter le fonctionnement de l'outil. En cas de dommages, faire réparer l'outil avant de l'utiliser. *De nombreux accidents sont dus à des outils mal entretenus.*
- f) Garder affûtés et propres les outils permettant de couper. *Des outils destinés à couper correctement entretenus avec des pièces coupantes tranchantes sont moins susceptibles de bloquer et sont plus faciles à contrôler.*
- g) Utiliser l'outil, les accessoires et les lames etc., conformément à ces instructions, en tenant compte des conditions de travail et du travail à réaliser. *L'utilisation de l'outil pour des opérations différentes de celles prévues pourrait donner lieu à des situations dangereuses.*
- h) Maintenir les poignées et les surfaces de préhension sèches, propres et exemptes d'huile et de graisse. *Des poignées et surfaces de préhension glissantes ne permettent pas une manipulation et un contrôle de l'outil en toute sécurité en cas d'imprévu.*

### 5. UTILISATION DES OUTILS FONCTIONNANT SUR BATTERIES ET PRÉCAUTIONS D'EMPLOI

- a) Ne recharger qu'avec le chargeur spécifié par le fabricant. *Un chargeur qui est adapté à un type de bloc de batteries peut entraîner un risque d'incendie lorsqu'il est utilisé avec un autre type de bloc de batteries.*
- b) N'utiliser les outils qu'avec des blocs de batteries spécifiquement désignés. *L'utilisation de tout autre bloc de batteries peut entraîner un risque de blessure et d'incendie.*
- c) Lorsqu'un bloc de batteries n'est pas utilisé, le maintenir à l'écart de tout autre objet métallique, par exemple trombones, pièces



de monnaie, clés, clous, vis ou autres objets de petite taille qui peuvent donner lieu à une connexion d'une borne à une autre. *Le court-circuitage des bornes d'une batterie entre elles peut causer des brûlures ou un incendie.*

- d) Dans de mauvaises conditions, du liquide peut être éjecté de la batterie; éviter tout contact. En cas de contact accidentel, nettoyer à l'eau. Si le liquide entre en contact avec les yeux, rechercher en plus une aide médicale. *Le liquide éjecté des batteries peut causer des irritations ou des brûlures.*
- e) N'utilisez pas de batterie ou d'outil endommagé ou modifié. *Des batteries endommagées ou modifiées peuvent se comporter de façon imprévisible et causer un incendie, une explosion ou un risque de blessure.*
- f) N'exposez pas une batterie ou un outil à un incendie ou à une température excessive. *L'exposition à un incendie ou une température supérieure à 130 °C peut causer une explosion.*
- g) Suivez toutes les instructions de charge et ne rechargez pas la batterie ou l'outil en dehors de la plage de température spécifiée dans les instructions. *Recharger la batterie de façon inappropriée ou en dehors de la plage de température spécifiée peut l'endommager et augmente le risque d'incendie.*

## 6. MAINTENANCE ET ENTRETIEN

- a) Faire entretenir l'outil par un réparateur qualifié utilisant uniquement des pièces de rechange identiques. *Cela assurera le maintien de la sécurité de l'outil.*
- b) Ne révisiez jamais de batteries endommagées. *La révision de batteries doit uniquement être effectuée par le fabricant ou les prestataires de service autorisés.*

## AVERTISSEMENTS DE SÉCURITÉ POUR SCIE SABRE

1. Tenir l'outil par les zones de prises isolées lors d'une utilisation où l'outil tranchant pourrait entrer en contact avec des fils cachés. *L'accessoire de coupe, s'il entre en contact avec un fil "sous tension", peut mettre les parties métalliques exposées de l'outil "sous tension" et électrocuter l'opérateur.*
2. Utiliser des pinces ou tout autre moyen pratique pour fixer et soutenir la pièce sur une plate-forme stable. *Tenir la pièce à la main ou contre le corps la rend instable et peut conduire à une perte de contrôle.*

FR

## SYMBOLES



Pour réduire le risque de blessure, l'utilisateur doit lire le mode d'emploi.



Avertissement



Porter une protection pour les oreilles



Porter une protection pour les yeux



Porter un masque contre la poussière



Les déchets d'équipements électriques et électroniques ne doivent pas être déposés avec les ordures ménagères. Ils doivent être collectés pour être recyclés dans des centres spécialisés. Consultez les autorités locales ou votre revendeur pour obtenir des renseignements sur l'organisation de la collecte.

## SCIE SABRE SANS FIL

### LISTE DES COMPOSANTS

1. LAME
2. SEMELLE PIVOTANTE
3. LEVIER DE SERRAGE DE LA LAME SANS OUTIL
4. INTERRUPTEUR MARCHÉ/ARRÊT
5. BOUTON DE VERROUILLAGE
6. BLOC-BATTERIE*
7. BOUTON DE DÉVERROUILLAGE DU BLOC-BATTERIE*
8. LEVIER DE RÉGLAGE DE LA SEMELLE

\* Tous les accessoires illustrés ou décrits ne sont pas inclus dans la livraison standard.

### DONNÉES TECHNIQUES

Type RS20S-20 (20S-20-désignation des machines, représentative de la scie sabre)

Tension		18V $\overline{\text{---}}$ (20V Max.)
Vitesse sans chargement		0-3000 /min
Longueur de course		20mm
Capacité de coupe	Bois	100mm
	Acier	10mm
Poids de la machine (sans batterie)		1.73kg

### PACKS DE BATTERIE ADAPTÉS

Numéro d'article	BI20-2	BI20-4
Capacité de la batterie	2.0Ah	4.0Ah
	Non inclus	Recommandé (non inclus)

### CHARGEURS ADAPTÉS

Numéro d'article	C20-2	C20-4
Entrée chargeur	100-240V~50/60Hz, 55W	100-240V~50/60Hz, 95W
Sortie chargeur	20V $\overline{\text{---}}$ 2.0A	20V $\overline{\text{---}}$ 4.0A
Temps de charge (environ)	1hr (2.0 Ah) 2hrs (4.0 Ah)	30mins (2.0 Ah) 60mins (4.0 Ah)
Classe de protection du chargeur	$\square$ /II	$\square$ /II
	Non inclus	Non inclus

### INFORMATIONS RELATIVES AU BRUIT

Niveau de pression acoustique pondéré A	$L_{pA}$ : 84dB (A)
Niveau de puissance acoustique pondéré A	$L_{wA}$ : 92dB (A)
$K_{pA}$ & $K_{wA}$	5dB (A)
Porter une protection pour les oreilles.	

## INFORMATIONS RELATIVES AUX VIBRATIONS

Valeurs totales de vibrations déterminées selon l'EN62841 :	
Découpe d'un panneau	Valeur d'émission de vibrations: $a_{h,B} = 16,7\text{m/s}^2$
	Incertitude $K = 1.5\text{m/s}^2$
Découpe d'une poutre en bois	Valeur d'émission de vibrations: $a_{h,WB} = 18,6\text{m/s}^2$
	Incertitude $K = 1.5\text{m/s}^2$

La valeur totale de vibration déclarée et la valeur d'émission de bruit déclarée ont été mesurées conformément à la méthode d'essai standard et peuvent être utilisées pour comparer un outil à un autre.

La valeur totale de vibration déclarée et la valeur d'émission de bruit déclarée peuvent également être utilisées lors d'une évaluation préliminaire de l'exposition.

**AVERTISSEMENT!** les vibrations et les émissions de bruit au cours de l'utilisation réelle de l'outil électrique peuvent varier de la valeur déclarée en fonction du mode d'utilisation de l'outil, en particulier du type de pièce traité selon les exemples suivants et d'autres variations concernant le mode d'utilisation de l'outil:

Comment l'outil est utilisé et quels matériaux sont coupés ou percés.

L'outil est en bon état et bien entretenu.

L'utilisation du bon accessoire pour l'outil et l'assurance qu'il est affûté et en bon état.

La force avec laquelle vous serrez les poignées et l'utilisation éventuelle d'un quelconque accessoire anti-bruit et anti-vibration.

Et l'outil est utilisé comme prévu dans sa conception et dans les présentes instructions.

**Cet outil peut causer un syndrome de vibration du bras et de la main s'il n'est pas correctement géré.**

**AVERTISSEMENT!** Pour être précise, une évaluation du niveau d'exposition en conditions réelles d'utilisation doit également tenir compte de toutes les parties du cycle d'utilisation telles que les moments où l'outil est éteint, et ceux où il fonctionne au ralenti mais ne réalise pas réellement de tâche. Ceci peut réduire de façon significative le niveau d'exposition et la période de fonctionnement totale.

Facteurs contribuant à minimiser votre risque d'exposition aux vibrations et au bruit.

Utilisez TOUJOURS des ciseaux, des forets et des lames affûtés.

Entretenez cet outil en accord avec les présentes instructions et maintenez-le lubrifié (si approprié).

Si l'outil doit être fréquemment utilisé, investissez dans des accessoires anti-bruit et anti-vibration.

Planifiez votre travail pour étaler toute utilisation d'outil à fortes vibrations sur plusieurs jours.

## ACCESSORIES

Lame de coupe pour du bois	1
Lame de coupe de métal	1

Nous vous recommandons d'acheter vos accessoires dans le même magasin qui vous a vendu l'outil. Reportez-vous à l'emballage des accessoires pour plus de détails. Le personnel du magasin peut vous aider et vous conseiller.

## SCIE SABRE SANS FIL

### INSTRUCTIONS D'UTILISATION



**REMARQUE:** Avant d'utiliser l'outil, lisez attentivement le manuel d'utilisation.

#### UTILISATION PRÉVUE

La machine est conçue pour scier du bois, du plastique, du métal et des matériaux de construction tout en reposant fermement sur la pièce. Il convient aux coupes droites et courbes.

#### MONTAGE

##### 1. MONTAGE ET DÉMONTAGE DE LA LAME SANS OUTIL (VOIR FIG. A1, A2)

- 1) Tournez le levier de serrage de la lame sans outil dans le sens anti-horaire jusqu'à son angle maximal et maintenez-le.
- 2) Insérez la tige de la lame dans le serre-lame à travers le protecteur de lame jusqu'à ce qu'elle s'arrête. Assurez-vous que le petit trou dans la lame est sur la broche dans le serre-lame.
- 3) Relâchez le levier de serrage de la lame sans outil. Le levier de serrage retournera automatiquement à sa position originale.
- 4) Tirez sur la lame pour vous assurer qu'elle est bien verrouillée en place. Pour retirer une lame, effectuez ces instructions dans l'ordre inverse.



**AVERTISSEMENT:** Les dents de la lame sont très coupantes. Pour de meilleurs résultats de coupe, assurez-vous d'utiliser une lame adaptée au matériau et à la qualité de coupe dont vous avez besoin.

##### 2. RÉGLAGE DE LA PLAQUE DE PIED (VOIR FIG. B)

Ajustez la position de la palette en fonction de la longueur de la lame et de l'épaisseur de la pièce ; assurez-vous toujours que la lame dépasse de la pièce pendant toute la course.

- **Réglage de l'angle de la plaque de pied**  
La plaque de pied pivotante s'incline afin de garder autant de sa surface en contact avec la surface de travail. Pour régler, maintenez

fermement la scie et faites pivoter la plaque de pied à la position souhaitée.

##### 3. RÉGLAGE DE LA PROFONDEUR DE COUPE (VOIR FIG. C1, C2)

Si vous devez réduire la capacité de coupe de votre outil (profondeur de coupe), la plaque de base pivotante peut être ajustée comme suit :

- 1) Desserrez le levier de réglage de la plaque de base en le tournant vers le bas, sous le logement avant.
- 2) Faites glisser la plaque de base pivotante vers l'avant ou vers l'arrière jusqu'à la position souhaitée.
- 3) Serrez le levier de réglage de la plaque de base en le tournant vers le haut jusqu'à la position initiale. Vérifiez que la plaque de base est fermement enclenchée.

#### AVANT LA MISE EN SERVICE

##### 1. POUR RETIRER OU INSTALLER LA BATTERIE (NON INCLUS) (VOIR FIG. D1, D2)

Pour retirer le pack batterie, appuyez d'abord fermement sur le bouton de libération du pack batterie, puis faites glisser le pack batterie hors de votre outil.

Pour installer le pack batterie, faites glisser le pack batterie entièrement chargé sur l'outil avec une force suffisante jusqu'à ce qu'il s'enclenche en position.

#### OPÉRATION

##### 1. INTERRUPTEUR MARCHE / ARRÊT SÉCURISÉ (VOIR FIG. E)

Pour verrouiller l'interrupteur marche/arrêt, placez le bouton de verrouillage au centre. Cela aide à réduire la possibilité de démarrage accidentel lorsqu'il n'est pas utilisé. Appuyez sur le bouton de verrouillage vers la gauche ou la droite, puis sur l'interrupteur marche/arrêt et relâchez le bouton de verrouillage. Votre interrupteur est maintenant allumé. Pour l'éteindre, relâchez simplement l'interrupteur marche/arrêt.

**REMARQUE:** La lumière LED illuminera automatiquement la zone de travail lorsque le produit est allumé.



**AVERTISSEMENT:** Ne regardez pas directement dans la lumière LED !


## 2. CONTRÔLE DE VITESSE VARIABLE (VOIR FIG. F)

L'interrupteur marche/arrêt est également un interrupteur de déclenchement à vitesse variable. La fréquence de course du plongeur de la lame peut être ajustée du minimum au maximum en fonction de la pression que vous appliquez sur le commutateur marche/arrêt. Appliquez plus de pression pour augmenter la vitesse et relâchez la pression pour diminuer la vitesse.

## 3. ZONES DE PRÉHENSION (VOIR FIG. G)

Tenez toujours votre scie fermement avec les deux mains lorsque vous l'utilisez.

## 4. COUPE EN PLONGÉE (VOIR FIG. H)


 **AVERTISSEMENT:** La procédure de coupe en plongée convient uniquement au traitement de matériaux souples tels que le bois, le placo ou similaires ! Ne travaillez pas de matériaux métalliques souples avec la procédure de coupe en plongée !

Utilisez uniquement des lames de scie courtes pour la coupe en plongée.

Placez la scie avec le bord du pied de la lame sur la pièce à travailler et mettez-la en marche. Pour les outils électriques avec contrôle de la vitesse de course, réglez la vitesse de course maximale. Appuyez fermement la scie contre la pièce à travailler et laissez la lame de scie plonger lentement dans la pièce.

Dès que le pied de la lame repose entièrement sur la surface de la pièce à travailler, continuez à scier le long de la ligne de coupe désirée. Pour certains travaux, la lame de scie peut également être insérée tournée de 180° et la scie sauteuse peut être guidée en conséquence de manière inversée.

## 5. COUPE AU RINÇAGE (VOIR FIG. I)

 **AVERTISSEMENT:** Veillez à ce que la lame de scie dépasse toujours du diamètre du matériau travaillé. Il y a un danger de recul.

Il est possible d'effectuer des coupes extrêmement près des sols, des murs et d'autres zones difficiles. Insérez la tige de la lame dans le serre-lame avec les dents de la lame vers le haut (opposée à la position de

travail normale). Cela permettra de couper plus près de la surface de travail. À l'aide de lames flexibles spéciales, insérez la lame dans le serre-lame avec les dents de la lame orientées vers le bas (position de travail normale). Il permettra une coupe à ras du tuyau.

## 6. COUPE DE BOIS

Assurez-vous toujours que la pièce à travailler est fermement fixée pour empêcher tout mouvement. Pour un contrôle plus facile, utilisez la vitesse lente pour commencer la coupe, puis augmentez-la pour atteindre la vitesse correcte.

## 7. COUPE DE MÉTAL

Cette scie a différentes capacités de coupe de métal selon le type de lame utilisé et le métal coupé.

Toujours serrer la pièce pour l'empêcher de glisser.

Utilisez une lame plus fine pour les métaux ferreux et une lame grossière pour les métaux non ferreux.

Lors de la coupe de tôles de faible épaisseur, Toujours fixer le bois des deux côtés de la tôle. Cela vous donnera une coupe nette sans vibration excessive ni déchirure du métal. Ne forcez pas la lame de coupe. Cela réduira sa durée de vie et la cassera.

**REMARQUE:** Nous vous recommandons d'étaler une fine pellicule d'huile ou autre liquide de refroidissement le long de la ligne de coupe devant la scie. Cela permettra un fonctionnement plus facile et prolongera la durée de vie de la lame. Lorsque vous coupez de l'aluminium, utilisez du kérosène.

## 8. COUPE DE POCHE (MATÉRIAUX SOUPLES UNIQUEMENT. NE PAS PLONGER DANS LES SURFACES MÉTALLIQUES) (VOIR FIG. J)

Marquez la poche ou le trou interne à découper. Insérez la lame de coupe spéciale avec les dents de lame orientées vers le bas et fixez-la fermement. Inclinez la scie de sorte que le bord arrière du protège-lame repose sur la surface de travail. Utilisez une vitesse lente pour démarrer la coupe pour éviter de

## SCIE SABRE SANS FIL

casser la lame, mais augmentez-la une fois que la coupe a commencé. Avec le protège-lame fermement maintenu contre la surface de travail, commencez à monter la scie lentement de façon contrôlée. La lame coupera dans et à travers le matériau. Assurez-vous toujours que la lame est complètement à travers le matériau avant de couper le reste de la poche.

## CONSEILS D'UTILISATION DE VOTRE SCIE ALTERNATIVE

Si l'outil motorisé devient trop chaud, le faire tourner à vide pendant 2-3 minutes afin de refroidir le moteur.

Toujours s'assurer que la pièce à travailler est fermement maintenue ou solidement fixée afin de l'empêcher de bouger.

Le protecteur de lame doit être maintenu fermement contre le matériau découpé afin de réduire les vibrations de la scie, les sauts et les cassures de lame.

## ENTRETIEN

**Retirer la batterie avant de procéder à un réglage, une réparation ou un entretien.**

Il n'y a pas de pièces réparables par l'utilisateur dans cet outil. Ne jamais utiliser d'eau ou de nettoyeurs chimiques pour nettoyer l'outil.

Nettoyer avec un chiffon sec. Toujours conserver l'outil motorisé dans un endroit sec.

Maintenir les fentes de ventilation du moteur propres. Empêcher que les commandes de marche soient couvertes de poussière. Il est normal que des étincelles soient visibles dans les fentes de ventilation, cela n'endommagera pas l'outil motorisé.

## PROTECTION DE L'ENVIRONNEMENT



Les déchets d'équipements électriques et électroniques ne doivent pas être déposés avec les ordures ménagères. Ils sont collectés pour être recyclés dans des centres spécialisés. Consultez les autorités locales ou votre revendeur pour obtenir des renseignements sur l'organisation de la collecte.

# EC Déclaration de Conformité



FR

Nous : **HYUNDAI Corporation Holdings Europe**  
Am Kronberger Hang 2A, 65824, Schwalbach am Taunus  
Germany

Déclarons que le produit détaillé ci-dessous:  
**Scie sabre sans fil**

**MODÈLE: RS20S-20**  
**FONCTION: Scier divers matériaux**

Satisfait les exigences des directives du Conseil :  
2006/42/EC, 2011/65/EU & (EU)2015/863, 2014/30/EU

Les normes sont conformes à :  
EN 62841-1, EN 62841-2-11,  
EN IEC 55014-1, EN IEC 55014-2,  
EN IEC 63000

La personne autorisée à constituer le dossier technique,  
Nom : **Hyundae Kim**  
Adresse : **HYUNDAI Corporation Holdings Europe**  
65824 Schwalbach am Taunus, Germany

Directeur général

---

Date : 2024.09.25

Jaiwon Hur

Chef de projet

---

Sungwoo Hong

## SEGNETTO ALTERNATIVO A BATTERIA

# ISTRUZIONI ORIGINALI DEL PRODOTTO AVVISI GENERALI PER LA SICUREZZA DEGLI UTENSILI A MOTORE



**AVVERTENZA!** Leggere tutte le avvertenze di sicurezza, le istruzioni, le illustrazioni e le specifiche fornite con questo elettroutensile. La mancata osservanza delle istruzioni elencate di seguito potrebbe provocare una scossa elettrica, un incendio e/o lesioni gravi.

Conservare tutti gli avvisi e le istruzioni per poterli consultare quando necessario. Il termine «elettrotensile elettrico» utilizzato di seguito in questo manuale si riferisce a utensili elettrici alimentati dalla rete (con linea di allacciamento), oltre che ad utensili elettrici alimentati a batteria (senza linea di allacciamento).

### 1. POSTO DI LAVORO

- Mantenere pulito ed ordinato il posto di lavoro. Il disordine e le zone di lavoro non illuminate possono essere fonte di incidenti.
- Evitare d'impiegare l'utensile in ambienti soggetti al rischio di esplosioni nei quali si trovino liquidi, gas o polveri infiammabili. Gli utensili elettrici producono scintille che possono far infiammare la polvere o i gas.
- Mantenere lontani i bambini ed altre persone durante l'impiego dell'utensile elettrico. Eventuali distrazioni potranno comportare la perdita del controllo sull'utensile.

### 2. SICUREZZA ELETTRICA

- La spina per la presa di corrente dovrà essere adatta alla presa. Evitare assolutamente di apportare modifiche alla spina. Non impiegare spine adattatrici assieme ad utensili con collegamento a terra. Le spine non modificate e le prese adatte allo scopo riducono il rischio di scosse elettriche.
- Evitare il contatto fisico con superfici collegate a terra, come tubi, riscaldamenti, cucine elettriche e frigoriferi. Sussiste un maggior rischio di scosse elettriche nel momento in cui il corpo è messo a massa.
- Custodire l'utensile al riparo dalla pioggia o

dall'umidità. L'eventuale infiltrazione di acqua in un utensile elettrico va ad aumentare il rischio d'insorgenza di scosse elettriche.

- Non usare il cavo per scopi diversi da quelli previsti al fine di trasportare o appendere l'apparecchio, oppure di togliere la spina dalla presa di corrente. *Mantenere l'utensile al riparo da fonti di calore, dall'olio, dagli spigolosi da parti di strumenti in movimento. I cavi danneggiati o aggrovigliati aumentano il rischio d'insorgenza di scosse elettriche.*
  - Qualora si voglia usare l'utensile all'aperto, impiegare solo ed esclusivamente cavi di prolunga omologati per l'impiego all'esterno. *L'uso di un cavo di prolunga omologato per l'impiego all'esterno riduce il rischio d'insorgenza di scosse elettriche.*
  - Se si deve utilizzare l'utensile a motore in un luogo umido, utilizzare una fonte di alimentazione con protezione a corrente residua. *L'uso di un dispositivo a corrente residua reduce il rischio di folgorazioni elettriche.*
- ### 3. SICUREZZA DELLE PERSONE
- È importante concentrarsi su ciò che si sta facendo e a maneggiare con giudizio l'utensile elettrico durante le operazioni di lavoro. *Non utilizzare l'utensile in caso di stanchezza o sotto l'effetto di droghe, bevande alcoliche e medicinali. Un attimo di distrazione durante l'uso dell'utensile potrà causare lesioni gravi.*
  - Indossare sempre equipaggiamento protettivo individuale, nonché guanti protettivi. *Se si avrà cura d'indossare equipaggiamento protettivo individuale come la maschera antipolvere, la calzatura antisdrucchiole di sicurezza, il casco protettivo o la protezione dell'udito, a seconda dell'impiego previsto per l'utensile elettrico, si potrà ridurre il rischio di ferite.*
  - Evitare avviamenti involontari. Controllare che l'interruttore sia nella posizione off prima di effettuare il collegamento a una sorgente di alimentazione/batteria, e prima di sollevare o trasportare l'utensile. *Il fatto di tenere il dito sopra all'interruttore o di collegare l'utensile acceso all'alimentazione di corrente potrà essere causa di incidenti.*
  - Togliere gli attrezzi di regolazione o la chiave



inglese prima di accendere l'utensile. *Un utensile o una chiave inglese che si trovino in una parte di strumento in rotazione potranno causare lesioni.*

- e) È importante non sopravvalutarsi. Avere cura di mettersi in posizione sicura e di mantenere l'equilibrio. *In tale maniera sarà possibile controllare meglio l'apparecchio in situazioni inaspettate.*
- f) Indossare vestiti adeguati. Evitare di indossare vestiti lenti o gioielli. Tenere i capelli, i vestiti ed i guanti lontani da pezzi in movimento. *Vestiti lenti, gioielli o capelli lunghi potranno impigliarsi in pezzi in movimento.*
- g) Se sussiste la possibilità di montare dispositivi di aspirazione o di captazione della polvere, assicurarsi che gli stessi siano stati installati correttamente e vengano utilizzati senza errori. *L'impiego dei suddetti dispositivi diminuisce il pericolo rappresentato dalla polvere.*
- h) Non lasciare che la familiarità acquisita con l'utilizzo frequente dell'elettrotensile si trasformi in autocompiacimento e trascuratezza dei principi di sicurezza. *Un'azione imprudente può causare lesioni gravi entro una frazione di secondo.*

#### 4. MANEGGIO E IMPIEGO ACCURATO DI ELETTROTENSILI

- a) Non sovraccaricare l'elettrotensile. Impiegare l'elettrotensile adatto per eseguire il lavoro. *Utilizzando l'elettrotensile elettrico adatto si potrà lavorare meglio e con maggior sicurezza nell'ambito della gamma di potenza indicata.*
- b) Non utilizzare elettrotensili con interruttori difettosi. *Un elettrotensile che non si può più accendere o spegnere è pericoloso e dovrà essere riparato.*
- c) Staccare la spina dalla presa di corrente e/o rimuovere la batteria, se rimovibile, dall'elettrotensile prima di effettuare qualsiasi regolazione, sostituire gli accessori o riporre gli utensili elettrici. *Tale precauzione eviterà che la macchina possa essere messa in funzione inavvertitamente.*
- d) Custodire gli elettrotensili non utilizzati fuori della portata dei bambini. Non fare usare l'apparecchio a persone non abituate a farlo

o che non abbiano letto le presenti istruzioni. *Gli elettrotensili sono pericolosi se utilizzati da persone inesperte.*

- e) Eseguire la manutenzione dell'elettrotensile e accessori. Verificare che le parti mobili dell'elettrotensile funzionino perfettamente e non s'inceppino, che non ci siano pezzi rotti o danneggiati al punto tale da limitare la funzione della macchina stessa. Far riparare le parti danneggiate prima di utilizzare l'elettrotensile. *Numerosi incidenti vengono causati da elettrotensili la cui manutenzione è stata effettuata in modo poco accurato.*
  - f) Mantenere affilati e puliti gli utensili da taglio. *Gli utensili da taglio curati con particolare attenzione e con taglienti affilati s'inceppano meno di frequente e sono più facili da condurre.*
  - g) Utilizzare elettrotensili, accessori, attrezzi, ecc. in conformità con le presenti istruzioni e secondo quanto previsto per questo tipo specifico di macchina. Osservare le condizioni di lavoro e il lavoro da eseguire durante l'impiego. *L'impiego di elettrotensili per usi diversi da quelli consentiti potrà dar luogo a situazioni di pericolo.*
  - h) Mantenere le impugnature e le superfici di presa asciutte, pulite e prive di olio e grasso. *Le impugnature e le superfici di presa scivolose non permettono l'uso e il controllo sicuri dell'elettrotensile in situazioni impreviste.*
- #### 5. MANEGGIO E IMPIEGO ACCURATO DELLE BATTERIE
- a) Caricare la batteria solo ed esclusivamente con i dispositivi di carica consigliati dal produttore. *Per un dispositivo di carica previsto per un determinato tipo di batteria, sussiste pericolo di incendio, se utilizzato con una batteria di tipo diverso.*
  - b) Utilizzare negli elettrotensili elettrici solo ed esclusivamente le batterie previste per tale scopo. *L'uso di batterie di tipo diverso potrebbe dare insorgenza a lesioni a persone e comportare il rischio d'incendi.*
  - c) Tenere la batteria non utilizzata lontano da graffette, monete, chiavi, chiodi, viti o altri oggetti in metallo di piccole dimensioni che potrebbero causare un ponte tra i contatti. *Un eventuale cortocircuito tra i contatti della*

## SEGHETTO ALTERNATIVO A BATTERIA

batteria può dare origine a bruciature o ad incendi.

- d) In caso di impiego sbagliato, possono verificarsi fuoriuscite di liquido dalla batteria. Evitarne il contatto. In caso di contatto casuale, sciacquare con acqua. Qualora il liquido dovesse entrare in contatto con gli occhi, chiedere immediato consiglio a un medico. Il liquido fuoriuscito dalla batteria può causare irritazioni cutanee o bruciature.
- e) Non utilizzare una batteria o un elettroutensile danneggiati o modificati. Le batterie danneggiate o modificate potrebbero manifestare un comportamento imprevedibile con la possibilità di causare un'esplosione o un incendio.
- f) Non esporre una batteria o un utensile al fuoco o a temperature elevate. L'esposizione al fuoco o a una temperatura superiore a 130°C potrebbe provocare un'esplosione.
- g) Seguire tutte le istruzioni per la carica e non caricare la batteria o l'elettroutensile a una temperatura che non rientri nell'intervallo di valori specificato nelle istruzioni. Una ricarica effettuata in maniera scorretta o a una temperatura che non rientra nell'intervallo di valori specificato, potrebbe danneggiare la batteria aumentando il rischio d'incendio.

### 6. ASSISTENZA

- a) Fare riparare l'apparecchio esclusivamente da personale specializzato e solo impiegando pezzi di ricambio originali. In tal modo potrà essere salvaguardata la sicurezza dell'apparecchio.
- b) Non riparare le batterie danneggiate. Gli interventi di riparazione sulle batterie devono essere eseguiti dal costruttore o da fornitori di assistenza autorizzati.

impugnature isolate. L'accessorio di taglio può venire a contatto con un cavo alimentato e la corrente può passare attraverso le parti metalliche dell'utensile e esporre l'operatore al rischio di folgorazione.

2. Usare morse o altri metodi pratici per fissare e sostenere il pezzo in lavorazione su una piattaforma stabile. Tenere il pezzo in lavorazione con le mani o contro il corpo non ne assicura la stabilità e potrebbe comportare la perdita di controllo.

## SIMBOLI



Per ridurre il rischio di lesioni, l'utente deve leggere il manuale di istruzioni



Avvertenza



Indossare protezione per le orecchie



Indossare protezione per gli occhi



Indossare una mascherina antipolvere

I prodotti elettrici non possono essere gettati tra i rifiuti domestici.



L'apparecchio da rottamare deve essere portato al centro di riciclaggio per un corretto trattamento.

Controllare con le autorità locali o con il rivenditore per localizzare il centro di riciclaggio più vicino.

## AVVISI GENERALI PER LA SICUREZZA DEL SEGHETTO ALTERNATIVO

1. Qualora si eseguano attività che prevedano il contatto dell'attrezzo con fili elettrici nascosti o con lo stesso cavo di alimentazione, tenere l'utensile da taglio servendosi delle apposite

## ELENCO DEI COMPONENTI

1. LAMA
2. PIASTRA DI APPOGGIO PIVOTANTE
3. LEVA DI SERRAGGIO LAMA SENZA UTENSILI
4. INTERRUTTORE ON/OFF
5. PULSANTE DI BLOCCO
6. PACCO BATTERIA*
7. PULSANTE DI RILASCIO DEL PACCO BATTERIA*
8. LEVA DI REGOLAZIONE DELLA PIASTRA DI APPOGGIO

\* Non tutti gli accessori illustrati o descritti sono inclusi nella consegna standard.

## DATI TECNICI

Tipo RS20S-20 (20S-20-designazione di macchinari, rappresentativo del sega a gattuccio)

Voltaggio		18V $\equiv$ (20V Max.)
Velocità a vuoto		0-3000 /min
Lunghezza della corsa		20mm
Capacità di taglio	Legno	100mm
	Acciaio	10mm
Peso della macchina (senza batteria)		1.73kg

## PACCHI BATTERIA ADATTI

Numero di articolo	BI20-2	BI20-4
Capacità della batteria	2.0Ah	4.0Ah
	Non incluso	Raccomandato (non incluso)

## CARICABATTERIE ADATTI

Numero di articolo	C20-2	C20-4
Input di caricabatterie	100-240V~50/60Hz, 55W	100-240V~50/60Hz, 95W
Output di caricabatterie	20V $\equiv$ 2.0A	20V $\equiv$ 4.0A
Tempo di ricarica (approssimativo)	1hr (2.0 Ah) 2hrs (4.0 Ah)	30mins (2.0 Ah) 60mins (4.0 Ah)
Classe di protezione del caricabatterie	$\square$ /II	$\square$ /II
	Non incluso	Non incluso

## INFORMAZIONI SUL RUMORE

Pressione sonora ponderata A	$L_{pA}$ : 84dB (A)
Potenza sonora ponderata A	$L_{wA}$ : 92dB (A)
$K_{pA}$ & $K_{wA}$	5dB (A)
Indossare protezione per le orecchie.	


## SEGHETTO ALTERNATIVO A BATTERIA

### INFORMAZIONI SULLA VIBRAZIONE

I valori totali di vibrazione sono determinati secondo lo standard EN 62841:	
Taglio tavole	Valore emissione vibrazion: $a_{h,B} = 16,7m/s^2$
	Incertezza $K = 1.5m/s^2$
Taglio travi di legno	Valore emissione vibrazion: $a_{h,WB} = 18,6m/s^2$
	Incertezza $K = 1.5m/s^2$

Il valore totale di emissione di vibrazioni dichiarato e il valore di emissioni sonore dichiarati sono stati misurati in base a un metodo di collaudo standard e possono essere utilizzati per il confronto di un utensile con un altro.

Il valore totale di emissione di vibrazioni dichiarato e il valore di emissioni sonore dichiarato possono anche essere utilizzati in una valutazione preliminare dell'esposizione.

**IT**  **AVVERTENZA!** le emissioni di vibrazioni e sonore durante l'uso effettivo dell'elettroutensile possono differire dal valore dichiarato in base alle modalità con cui esso viene utilizzato. In particolare quale tipo di pezzo viene lavorato dipende dai seguenti fattori e da altre variazioni sulle modalità di utilizzo dell'elettroutensile:

Come viene usato l'elettroutensile e quali sono i materiali tagliati o forati.


Le condizioni e la buona manutenzione dell'elettroutensile.

L'uso dell'accessorio corretto per il taglio e la sua affilatura, nonché le sue buone condizioni.

La tenuta della presa sulle impugnature e se vengono utilizzati eventuali accessori antivibrazioni e anturumore.

L'adeguatezza dell'utilizzo dell'elettroutensile rispetto a quanto previsto.

**Questo elettroutensile potrebbe causare l'insorgenza della sindrome della vibrazione dell'avambraccio se il suo utilizzo non viene gestito correttamente.**

**IT**  **AVVERTENZA!** per essere precisi, una stima del livello di esposizione nelle attuali condizioni di utilizzo dovrebbe anche tenere conto di tutte le parti del ciclo operativo, come le volte in cui lo strumento viene spento e il tempo in cui viene lasciato girare a vuoto senza realmente fare il suo lavoro. Questo potrebbe ridurre significativamente il livello di esposizione sul periodo di lavoro totale.

Aiuto a minimizzare il rischio di esposizione alle vibrazioni e al rumore.

Usare sempre scalpelli, trapani e lame affilati.

Conservare questo elettroutensile sempre in conformità a queste istruzioni e mantenerlo ben lubrificato (dove appropriato).

Se l'utensile deve essere utilizzato regolarmente, investire in accessori antivibrazioni e antirumore.

Pianificare il lavoro in modo da suddividere i lavori che implicano le maggiori vibrazioni nell'arco di più giorni.

### ACCESSORI

Lama da taglio per legno	1
Lama per taglio di metallo	1

Si consiglia di acquistare accessori dal negozio in cui viene venduto l'utensile. Per informazioni più dettagliate, consultare la confezione degli accessori. Il personale del negozio può aiutarti con consigli.

## ISTRUZIONI PER L'USO



**NOTA:** Leggere attentamente il manuale di istruzioni prima di utilizzare l'utensile.


### USO PREVISTO

La macchina viene utilizzata per segare legno, plastica, metallo e materiali da costruzione pur essendo fissata saldamente sul pezzo. Adatto per taglio diritto e curvo.

### MONTAGGIO

#### 1. INSERIMENTO E RIMOZIONE DELLA LAMA SENZA UTENSILI (VEDI FIG. A1, A2)

- 1) Ruotare la leva di serraggio della lama senza utensili in senso antiorario fino al suo angolo massimo e tenerla premuta.
- 2) Inserire il gambo della lama nel morsetto attraverso la protezione fino a quando non si ferma. Assicurarsi che il piccolo foro sulla lama sia posizionato sul perno nel morsetto.
- 3) Rilasciare la leva di serraggio della lama senza utensili. La leva tornerà automaticamente alla posizione originale.
- 4) Tirare su la lama per assicurarsi che sia bloccata in posizione. Per rimuovere una lama, eseguire queste istruzioni in ordine inverso.

 **AVVERTENZA:** I denti della lama sono molto affilati. Per ottenere i migliori risultati di taglio, assicurarsi di utilizzare una lama adatta al materiale e alla qualità di taglio necessari.

#### 2. REGOLAZIONE DELLA PIASTRA PER PIREDE (VEDI FIG. B)

Regolare la posizione della piastra per piede in base alla lunghezza della lama e allo spessore del pezzo; assicurarsi sempre che la lama superi il pezzo durante l'intera corsa.

#### - Regolazione dell'angolo della piastra per piede

La piastra per piede del perno è inclinata in modo tale che la sua superficie sia a contatto con la superficie di lavoro il più possibile. Per effettuare le regolazioni, tenere saldamente la

sega e ruotare la piastra per piede nella posizione desiderata.

Regolazione della profondità della piastra per piede.

#### 3. REGOLAZIONE DELLA PROFONDITÀ DI TAGLIO (VEDI FIG. C1, C2)

Se è necessario ridurre la capacità di taglio del tuo utensile (profondità di taglio), la piastra del piede può essere regolata come segue.

- 1) Allentare la leva di regolazione della piastra del piede girandola verso il basso verso la parte inferiore dell'alloggiamento anteriore.
- 2) Scorri la piastra del piede pivotante in avanti o indietro nella posizione desiderata.
- 3) Stringere la leva di regolazione della piastra del piede girandola verso l'alto fino alla posizione originale. Controlla che la piastra del piede sia saldamente bloccata.

### PRIMA DI MESSA IN FUNZIONE

#### 1. PER RIMUOVERE O INSTALLARE IL PACCO BATTERIA (NON INCLUSO) (VEDI FIG. D1, D2)

Per rimuovere il pacco batteria, premere prima saldamente il pulsante di rilascio del pacco batteria, quindi far scorrere il pacco batteria fuori dallo strumento.


Per installare il pacco batteria, far scorrere il pacco batteria completamente carico sull'utensile con la forza sufficiente fino a quando non si incastra in posizione.

### FUNZIONAMENTO

#### 1. INTERRUTTORE ACCESO/ SPENTO DI SICUREZZA (VEDI FIG. E)

Per bloccare l'interruttore on/off, posizionare il pulsante di blocco nella posizione centrale. Questo aiuta a ridurre la possibilità di avvio accidentale quando non è in uso. Premere il pulsante di blocco verso sinistra o verso destra, quindi l'interruttore on/off e rilasciare il pulsante di blocco. L'interruttore è ora acceso. Per spegnere, basta rilasciare l'interruttore on/off.

**NOTA:** La luce LED illuminerà automaticamente la zona di lavoro quando il prodotto è acceso.

 **AVVERTENZA:** Non guardare direttamente nella luce LED!

## SEGHETTO ALTERNATIVO A BATTERIA

### 2. CONTROLLO DELLA VELOCITÀ VARIABILE (VEDI FIG. F)


L'interruttore on/off è anche un interruttore a grilletto a velocità variabile controllata. La frequenza della corsa del pistone della lama può essere regolata dal minimo al massimo dalla pressione che si applica al pulsante di accensione/spengimento.

Applicare più pressione per aumentare la velocità e rilasciare la pressione per diminuire la velocità.

### 3. ZONA DI PRESA DELLA MANO (VEDI FIG. G)

Durante il funzionamento, tenere sempre saldamente la sega con entrambe le mani.


### 4. TAGLIO IN IMMERSIONE (VEDI FIG. H)

 **AVVERTENZA:** La procedura di taglio in immersione è adatta solo per trattare materiali morbidi come legno, cartongesso o simili! Non utilizzare la procedura di taglio in immersione per materiali metallici morbidi! Utilizzare solo lame da sega corte per il taglio in immersione.

Posizionare la sega con il bordo del piede della lama sul pezzo da lavorare e accenderla. Per gli utensili elettrici con controllo della velocità di corsa, impostare la massima velocità di corsa. Premere saldamente la sega contro il pezzo da lavorare e consentire alla lama della sega di immergersi lentamente nel pezzo.

Non appena il piede della lama si appoggia completamente sulla superficie del pezzo da lavorare, continuare a segare lungo la linea di taglio desiderata. Per alcuni lavori, la lama della sega può anche essere inserita girata di 180° e la sega alternativa può essere guidata di conseguenza in modo inverso.

### 5. TAGLIO A FLUSSO (VEDI FIG. I)

 **AVVERTENZA:** Prestare attenzione affinché la lama della sega si estenda sempre oltre il diametro del materiale lavorato. C'è pericolo di ribaltamento.

Il taglio potrebbe essere molto vicino al pavimento, alla parete e ad altre aree difficili. Inserire la maniglia della lama verso l'alto (opposta alla normale posizione operativa) nel supporto di lama. Ciò consentirà di avvicinare

il taglio alla superficie di lavoro. Utilizzare una lama flessibile speciale per inserire la lama nel supporto di lama con i denti della lama rivolti verso il basso (normale posizione di lavoro). Consentirà il taglio del tubo di lavaggio.

### 6. TAGLIO DEL LEGNO

Accertarsi sempre che il pezzo sia bloccato saldamente per impedire il movimento. Per un controllo più semplice, iniziare a tagliare a bassa velocità e quindi aumentare alla velocità corretta.

### 7. TAGLIO DEL METALLO

La sega ha diverse capacità di taglio dei metalli, a seconda del tipo di lama utilizzata e del metallo da tagliare.

Sempre bloccare il lavoro verso il basso per evitare che scivoli.

Utilizzare lame più sottili per metalli ferrosi e lame più spesse quando si tagliano lamiere a scartamento ridotto, sempre bloccano il legno su entrambi i lati del foglio. Questo ti fornirà un taglio netto senza eccessive vibrazioni o strappi di metallo.

Non forzare la lama di taglio. Spingendo forte la lama si accorcia la durata della lama e la si rompe.

**NOTA:** Si consiglia di distribuire una pellicola di olio o altro refrigerante sulla linea di taglio prima della sega. Ciò renderà l'operazione più semplice e contribuirà a prolungare la durata della lama. Quando si taglia l'alluminio, utilizzare il cherosene.

### 8. TAGLIO DELLA TASCA (SOLO MATERIALI MORBIDI. NON TAGLIARE SULLA SUPERFICIE METALLICA) (VEDI FIG. J)

Segna il punto da tagliare sulla tasca o sul foro interno. Inserire una lama per sega speciale con i denti rivolti verso il basso e fissarla saldamente. Regolare l'angolazione della sega in modo che il bordo posteriore della protezione della lama poggia sulla superficie di lavoro. Inizia a tagliare a bassa velocità per evitare di rompere la lama, ma una volta che inizi a tagliare, aumenta la velocità per raggiungere la velocità corretta. Con la protezione della lama della sega fissata saldamente alla superficie di lavoro, la sega

lenta ma controllata inizia a oscillare verso l'alto. La lama taglierà dentro e attraverso il materiale. Prima di tagliare il resto della tasca, assicurarsi sempre che la lama passi completamente attraverso il materiale.

## SUGGERIMENTI UTILI PER L'UTILIZZO DELLA SEGA ALTERNATIVA

In caso di surriscaldamento, è necessario portare l'attrezzo alla massima velocità, facendolo funzionare in assenza di carico per 2 o 3 minuti, al fine di raffreddarne il motore.

Tenere o bloccare sempre saldamente il pezzo da lavorare, onde evitarne lo spostamento. Il piedino deve essere tenuto saldamente contro il materiale da tagliare, per ridurre le vibrazioni della sega ed evitare il salto e la rottura della lama.

## MANUTENZIONE

Rimuovere il pacco batteria dall'utensile prima di eseguire qualsiasi regolazione, riparazione o manutenzione.

All'interno dell'attrezzo non ci sono parti riparabili da parte dell'utente. Non usare mai acqua o detergenti chimici per pulire l'attrezzo. Pulire con un panno asciutto. Conservare sempre gli attrezzi in luoghi asciutti. Tenere pulite le aperture di ventilazione del motore. Tenere puliti dalla polvere tutti i controlli operativi. La formazione di scintille all'interno delle aperture di ventilazione, è un fenomeno normale che non crea danni all'attrezzo.

## TUTELA AMBIENTALE



I prodotti elettrici non possono essere gettati tra i rifiuti domestici. L'apparecchio da rottamare deve essere portato al centro di riciclaggio per un corretto trattamento. Controllare con le autorità locali o con il rivenditore per localizzare il centro di riciclaggio più vicino.

**SEGHETTO ALTERNATIVO A BATTERIA**

# EC Dichiarazione di Conformità



Noi :

**HYUNDAI Corporation Holdings Europe**  
Am Kronberger Hang 2A, 65824, Schwalbach am Taunus  
Germany

Dichiariamo che il prodotto dettagliato di seguito :  
**Seghetto alternativo a batteria**

**MODELLO: RS20S-20**  
**FUNZIONE: Taglio di vari materiali**

Soddisfa i requisiti delle direttive del Consiglio :  
2006/42/EC, 2011/65/EU & (EU)2015/863, 2014/30/EU

Gli standard conformano alla :  
EN 62841-1, EN 62841-2-11,  
EN IEC 55014-1, EN IEC 55014-2,  
EN IEC 63000

La persona autorizzata a costituire il fascicolo tecnico,  
Nome : Hyundae Kim  
Indirizzo : HYUNDAI Corporation Holdings Europe  
65824 Schwalbach am Taunus, Germany

Direttore generale

Jaiwon Hur


Responsabile del progetto

Sungwoo Hong

Date : 2024.09.25



# MANUAL ORIGINAL SEGURIDAD DEL PRODUCTO ADVERTENCIAS DE SEGURIDAD GENERALES SOBRE HERRAMIENTAS ELÉCTRICAS

 **ADVERTENCIA!** Lea todas las advertencias de seguridad, instrucciones, ilustraciones y especificaciones que acompañan a esta herramienta eléctrica. *Si no se respetan todas las instrucciones que se indican abajo, podría producirse una descarga eléctrica, un incendio o alguien podría resultar herido de gravedad.*

Conserve todas las advertencias e instrucciones para futuras consultas. *El término "herramienta eléctrica" en todas las advertencias siguientes corresponde a la herramienta eléctrica con o sin cable.*

## 1. ZONA DE TRABAJO

- a) Mantener su lugar de trabajo limpio y bien iluminado. *Bancos de trabajo desordenados y lugares oscuros invitan a los accidentes.*
- b) No utilizar herramientas eléctricas en atmósferas explosivas, como por ejemplo en presencia de líquidos inflamables, gases o polvo. *Las herramientas eléctricas crean chispas que pueden encender el polvo o los vapores.*
- c) Mantener alejados a los niños y visitantes mientras opera una herramienta eléctrica. *Las distracciones pueden hacerle perder el control.*

## 2. SEGURIDAD ELÉCTRICA

- a) Los enchufes de la herramienta eléctrica deben encajar perfectamente en el tomacorriente. Nunca modificar el enchufe de ninguna manera. *No utilizar adaptadores con herramientas eléctricas conectadas a tierra. Los enchufes no modificados y los que encajan perfectamente en el tomacorriente reducirán el riesgo de*

*descarga eléctrica.*

- b) Evitar el contacto del cuerpo con superficies conectadas a tierra tales como caños, radiadores, cocinas y heladeras. *Existe un riesgo creciente de descarga eléctrica si su cuerpo queda conectado a tierra.*
- c) No exponer las herramientas eléctricas a la lluvia y no guardar en lugares húmedos. *El agua que penetra en ellas aumentará el riesgo de una descarga eléctrica.*
- d) No abusar del cable. Nunca utilizar el cable para transportar, tirar o desenchufar la herramienta eléctrica. *Mantener el cable alejado del calor, del aceite, de bordes agudos o piezas móviles. Los cables dañados o enredados aumentan el riesgo de descarga eléctrica.*
- e) Cuando utilice su herramienta eléctrica al aire libre, emplear un prolongador apto para uso en exteriores. *El empleo de cables para uso al aire libre reduce el riesgo de descarga eléctrica.*
- f) Si es necesario utilizar la herramienta motorizada en un lugar muy húmedo, utilice una fuente de alimentación con dispositivo de corriente residual (RCD). *El uso de un RCD reduce el riesgo de descarga eléctrica.*

## 3. SEGURIDAD PERSONAL

- a) Mantenerse alerta, poner atención en lo que está haciendo y utilice el sentido común mientras opera una herramienta eléctrica. No emplear la herramienta cuando se encuentre cansado o bajo la influencia de drogas, alcohol o medicación. *Un momento de falta de atención durante el manejo de herramientas eléctricas puede dar lugar a daños corporales serios.*
- b) Utilizar equipo de seguridad. Usar siempre protección ocular. *Equipo de seguridad como máscaras contra el polvo, zapatos antideslizantes de seguridad, sombrero o protección auditiva para condiciones apropiadas reducirá daños corporales.*
- c) Evite el arranque accidental. Asegúrese de que el interruptor se encuentra desactivado antes de enchufar la máquina o colocar la batería, al tomar la herramienta

## SIERRA SABLE A BATERÍA

o transportarla. *Transportar herramientas con el dedo en el interruptor o enchufar la herramienta cuando el interruptor está encendido invitan a los accidentes.*

- d) Retire llaves de ajuste o llaves inglesas antes de poner la herramienta en funcionamiento. *Una llave que queda unida a una pieza móvil de la herramienta puede originar daños corporales.*
- e) No exralimitarse. Mantenerse firme y con buen equilibrio en todo momento. *Esto permite un mejor control de la herramienta en situaciones inesperadas.*
- f) Vestirse apropiadamente. No usar ropa suelta ni alhajas. Mantenga el pelo, la ropa y los guantes alejados de las piezas en movimiento. *La ropa suelta, las alhajas o el cabello largo pueden ser atrapados por las piezas móviles.*
- g) Si se proporcionan dispositivos para la extracción y recolección de polvo, asegurarse de que estos estén conectados y utilizados correctamente. *El uso de estos dispositivos puede reducir peligros relacionados con el polvo.*
- h) No permita que el hecho de estar familiarizado con el uso de herramientas le haga volverse descuidado o ignorar las normas de seguridad. *La falta de atención puede provocar heridas graves en una fracción de segundo.*

### 4. MANTENIMIENTO DE LA HERRAMIENTA MOTORIZADA

- a) No forzar la herramienta eléctrica. Utilizar la herramienta eléctrica correcta para su aplicación. *La herramienta eléctrica correcta hará el trabajo mejor y más seguro a la velocidad para la cual fue diseñada.*
- b) No utilizar la herramienta eléctrica si el interruptor no la enciende o apaga. *Cualquier herramienta eléctrica que no pueda ser controlada con el interruptor es peligrosa y debe ser reparada.*
- c) Desconecte la clavija de la fuente de alimentación o extraiga la batería (si es desmontable) de la herramienta eléctrica antes de realizar cualquier ajuste, cambiar los accesorios o guardar la herramienta. *Tales medidas de seguridad preventivas*

*reducen el riesgo de arranque accidental de la herramienta.*

- d) Mantener las herramientas eléctricas que no usa fuera del alcance de los niños y no permita que personas no familiarizadas con la herramienta o con estas instrucciones maneje la herramienta eléctrica. *Las herramientas eléctricas son peligrosas en manos de usuarios inexpertos.*
  - e) Realice un mantenimiento adecuado de las herramientas eléctricas y sus accesorios. Comprobar si hay desalineamiento o atascamiento de piezas móviles, rotura de piezas en general y cualquier otra condición que pueda afectar la operación normal de la herramienta. *Si se verifican daños, recurra a un servicio calificado antes de volver a usar la herramienta. Las herramientas mal mantenidas causan muchos accidentes.*
  - f) Mantener las piezas de corte limpias y afiladas. *Puesto que son menos probables de atascarse y más fáciles de controlar.*
  - g) Utilizar la herramienta eléctrica, accesorios y brocas etc., de acuerdo con estas instrucciones y de la manera prevista para el tipo particular de herramienta eléctrica, teniendo en cuenta las condiciones de trabajo y el trabajo a ser realizado. *El uso de la herramienta eléctrica para otras operaciones distintas de lo previsto podría dar lugar a una situación peligrosa.*
  - h) Mantenga las empuñaduras y las superficies de agarre secas, limpias y sin aceite ni grasa. *Una empuñadura o una superficie de agarre resbaladiza dificultan la correcta manipulación y el control de la herramienta en situaciones imprevistas.*
- ### 5. UTILIZACIÓN Y MANTENIMIENTO DE LA BATERÍA
- a) Recargar solamente con el cargador indicado por el fabricante. *Un cargador adaptado a un tipo de batería podría crear un riesgo de incendio si se utiliza con una diferente batería.*
  - b) Utilizar las herramientas eléctricas solamente con baterías especialmente adaptadas. *La utilización de cualquier otra batería podría causar un riesgo de incendio*

o herida.

- c) Cuando la batería no está en uso, tenerla lejos de los objetos metálicos como los trombones, las piezas de moneda, las llaves, los clavos, los tornillos, o cualquier otro pequeño objeto metálico susceptibles de establecer una conexión de un terminal a otra. *El cortocircuito de un terminal a otra puede causar quemaduras o un incendio.*
- d) Hay una fuga de líquido de la batería. Evitar todo contacto. Si entre accidentalmente en contacto con este líquido, lavar con agua limpia. En caso de contacto con los ojos, consultar a un médico. *El líquido presente en las baterías puede causar irritaciones o quemaduras.*
- e) No utilice una batería o una herramienta que estén dañadas o hayan sido modificadas. *Las baterías dañadas y modificadas pueden comportarse de forma imprevisible y provocar un incendio, una explosión o herir a alguien.*
- f) No arroje una batería o herramienta al fuego ni las exponga a una temperatura excesiva. *La exposición al fuego y a temperaturas superiores a 130 °C puede provocar una explosión.*
- g) Respete todas las instrucciones de carga y no cargue la batería o la herramienta fuera del rango de temperatura especificado en las instrucciones. *Una carga inadecuada o a una temperatura fuera del rango especificado puede ocasionar daños en la batería y aumentar el riesgo de incendio.*

## 6. REPARACIÓN

- a) Permitir que el mantenimiento de su herramienta eléctrica sea efectuado por una persona calificada usando solamente piezas de recambio idénticas. *Esto es primordial para mantener la seguridad de la herramienta eléctrica.*
- b) No intente reparar nunca una batería dañada. *Cualquier intervención técnica en una batería debe ser realizada exclusivamente por el fabricante o por un servicio técnico autorizado.*

## ADVERTENCIA DE SEGURIDAD GENERAL SOBRE LA SIERRA SABLE

1. Sostenga la herramienta por las empuñaduras aislantes cuando realice una operación de corte, perforación o desbaste. *De este modo evitará posibles descargas eléctricas, en caso de que su herramienta o accesorio contacte con cables ocultos.*
2. Utilice unas mordazas u otro método igual de práctico para fijar y aguantar la pieza de trabajo en una base estable. *Si sujeta la pieza de trabajo con la mano o contra su cuerpo, será menos estable y podría perder el control.*

## SÍMBOLOS



Para reducir el riesgo de lesión, lea el manual de instrucciones



Advertencia



Utilice protección auditiva



Utilice protección ocular



Utilice una máscara antipolvo



Los residuos de aparatos eléctricos y electrónicos no deben depositarse en la basura doméstica. Se deben reciclar en las instalaciones especializadas.

Consulte a las autoridades locales o el establecimiento para saber cómo reciclar estos productos.

## SIERRA SABLE A BATERÍA

### LISTA DE COMPONENTES

1. CUCHILLA
2. PLACA DE PIE PIVOTANTE
3. PALANCA DE SUJECCIÓN DE LA CUCHILLA SIN HERRAMIENTAS
4. INTERRUPTOR DE ENCENDIDO/APAGADO
5. BOTÓN DE BLOQUEO
6. PAQUETE DE BATERÍAS*
7. BOTÓN DE LIBERACIÓN DEL PAQUETE DE BATERÍAS*
8. PALANCA DE AJUSTE DE LA PLACA DE PIE

\* No todos los accesorios ilustrados o descritos están incluidos en la entrega estándar.

### DATOS TÉCNICOS

Tipo RS20S-20 (20S-20-designación de maquinaria, representantes de sierra sable)

Voltaje		18V $\equiv$ (20V Max.)
Sin velocidad de carga		0-3000 /min
Longitud del trazo		20mm
Capacidad de corte	Madera	100mm
	Acero	10mm
Peso de la máquina (sin batería)		1.73kg

### PACKS DE BATERÍAS ADECUADOS

Número de artículo	BI20-2	BI20-4
Paquete de batería	2.0Ah	4.0Ah
	No incluido	Recomendado (no incluido)

### CARGADORES ADECUADOS

Número de artículo	C20-2	C20-4
Entrada del cargador	100-240V~50/60Hz, 55W	100-240V~50/60Hz, 95W
Salida del cargador	20V $\equiv$ 2.0A	20V $\equiv$ 4.0A
Tiempo de carga (aproximado)	1hr (2.0 Ah)	30mins (2.0 Ah)
	2hrs (4.0 Ah)	60mins (4.0 Ah)
Clase de protección del cargador	$\square$ /II	$\square$ /II
	No incluido	No incluido

### INFORMACIÓN DE RUIDO

Nivel de presión acústica ponderada	$L_{pA}$ : 84dB (A)
Nivel de potencia acústica ponderada	$L_{wA}$ : 92dB (A)
$K_{pA}$ & $K_{wA}$	5dB (A)
Utilice protección auditiva.	

## INFORMACIÓN DE VIBRACIÓN

Los valores totales de vibración se determinan según la norma EN 62841:	
Tabla para cortar	Valor de emisión de vibración: $a_{h,B} = 16,7\text{m/s}^2$
	Incertidumbre $K = 1.5\text{m/s}^2$
Viga de madera para cortar	Valor de emisión de vibración: $a_{h,WB} = 18,6\text{m/s}^2$
	Incertidumbre $K = 1.5\text{m/s}^2$

El valor total de vibraciones declarado y el valor de emisiones acústicas declarado se han medido de conformidad con un método de prueba estándar y pueden utilizarse para realizar comparaciones entre herramientas.

El valor total de vibraciones declarado y el valor de emisiones acústicas declarado también pueden utilizarse en una evaluación preliminar de la exposición.

**!** **ADVERTENCIA!** Las vibraciones y las emisiones acústicas que se producen durante el uso de la herramienta eléctrica pueden variar respecto a los valores declarados en función de cómo se utilice la herramienta, especialmente dependiendo del tipo de pieza de trabajo que se procese y de otras formas de usar la herramienta:

Cómo se utiliza la herramienta y se cortan o perforan los materiales.

Si la herramienta se encuentra en buenas condiciones de mantenimiento.

Si se utiliza el accesorio correcto para la herramienta y se garantiza que está afilado y en buenas condiciones.

La firmeza de sujeción de las empuñaduras, y el uso de accesorios para reducir las vibraciones y el ruido.

Y si la herramienta se utiliza según su diseño y estas instrucciones.

**Esta herramienta podría causar síndrome de vibración del brazo y la mano si no se utiliza correctamente.**

**!** **ADVERTENCIA!** Para conseguir una mayor precisión, debe tenerse en cuenta una estimación del nivel de exposición en condiciones reales de todas las partes del ciclo de uso, como los tiempos durante los que la herramienta está apagado o cuando está en funcionamiento pero no está realizando ningún trabajo. Ello podría reducir notablemente el nivel de exposición sobre el periodo de carga total.

Minimización del riesgo de exposición a las vibraciones y el ruido.

Utilice SIEMPRE cinceles, brocas y cuchillas afiladas.

Mantenga esta herramienta de acuerdo con estas instrucciones y bien lubricada (si es necesario).

Si la herramienta se va a utilizar de forma habitual, se recomienda adquirir accesorios para reducir las vibraciones y el ruido.

Planifique su programa de trabajo para distribuir el uso de la herramienta a lo largo de varios días.

## ACCESORIOS

Cuchilla de corte de la madera	1
Hoja de corte de metal	1

Le recomendamos que compre sus accesorios en la misma tienda que le vendió la herramienta. Vea el paquete de accesorios para más información. El empleado puede ayudarlo y aconsejarlo.

## SIERRA SABLE A BATERÍA

### INSTRUCCIONES



**NOTA:** Antes de utilizar la herramienta, lea atentamente el libro de instrucciones.

#### POSIBLE USO

La máquina está diseñada para aserrar madera, plástico, metal y materiales de construcción mientras reposa firmemente sobre la pieza de trabajo. Es adecuado para cortes rectos y curvos.

#### MONTAJE

##### 1. MONTAJE Y DESMONTAJE DE LA HOJA SIN HERRAMIENTAS (VER FIG. A1, A2)

- 1) Gire la palanca de sujeción de la hoja sin herramientas en sentido antihorario hasta su ángulo máximo y manténgala en esa posición.
- 2) Inserte el vástago de la hoja en la abrazadera de la hoja a través del protector de la hoja hasta que se detenga. Asegúrese de que el pequeño agujero de la hoja esté en el pasador de la abrazadera.
- 3) Suelte la palanca de sujeción de la hoja sin herramientas. La palanca volverá automáticamente a su posición original.
- 4) Tire hacia arriba de la hoja para asegurarse de que esté bloqueada en su lugar. Para quitar una hoja, siga estas instrucciones en orden inverso.



**ADVERTENCIA:** Los dientes de la cuchilla son muy afilados. Para obtener los mejores resultados de corte, asegúrese de utilizar una cuchilla adecuada para el material y la calidad de corte que necesita.

##### 2. AJUSTE DE LA BASE DEL REPOSAPIÉS (VER FIG. B)

Ajuste la posición del reposapiés de acuerdo con la longitud de la cuchilla y el grosor de la pieza de trabajo; asegúrese siempre de que la cuchilla se extienda más allá de la pieza de trabajo durante todo el recorrido.

##### - Ajuste del ángulo del reposapiés

La placa base del pivote se inclina para mantener la mayor parte de su superficie en contacto con la superficie de trabajo. Para

ajustarlo, sostenga la sierra firmemente y gire el reposapiés a la posición deseada.

##### 3. AJUSTE DE LA PROFUNDIDAD DE CORTE (VER FIG. C1, C2)

Si necesita reducir la capacidad de corte de su herramienta (profundidad de corte), la placa de pie pivotante se puede ajustar de la siguiente manera.

- 1) Afloje la palanca de ajuste de la placa de pie girándola hacia abajo hacia la parte inferior de la carcasa delantera.
- 2) Deslice la placa de pie pivotante hacia adelante o hacia atrás hasta la posición requerida.
- 3) Apriete la palanca de ajuste de la placa de pie girándola hacia arriba hasta la posición original. Verifique que la placa de pie esté firmemente enganchada.

#### ANTES DE PONERLO EN FUNCIONAMIENTO

##### 1. MONTAJE DEL PAPEL DE LIJA DE GANCHO Y BUCLE (NO INCLUIDO) (VER FIG D1, D2)

Para quitar el paquete de baterías, primero presiona firmemente el botón de liberación del paquete de baterías y luego desliza el paquete de baterías fuera de tu herramienta.

Para instalar el paquete de baterías, desliza el paquete de baterías completamente cargado sobre la herramienta con suficiente fuerza hasta que encaje en su posición.

#### OPERACIÓN

##### 1. INTERRUPTOR DE ENCENDIDO / APAGADO DE SEGURIDAD (VER FIG. E)

Para bloquear el interruptor de encendido/apagado, coloque el botón de bloqueo en la posición central. Esto ayuda a reducir la posibilidad de encendido accidental cuando no está en uso. Presione el botón de bloqueo hacia la izquierda o hacia la derecha, luego el interruptor de encendido/apagado y suelte el botón de bloqueo. Su interruptor está ahora encendido. Para apagar, simplemente suelte el interruptor de encendido/apagado.

**NOTA:** La luz LED iluminará automáticamente la zona de trabajo cuando el producto esté encendido.



**ADVERTENCIA:** ¡No mire directamente a la luz LED!

## 2. CONTROL DE VELOCIDAD VARIABLE (VER FIG. F)

El interruptor de encendido/apagado es también un interruptor de gatillo de velocidad variable controlado. La frecuencia de carrera del émbolo de la hoja puede ajustarse desde el mínimo hasta el máximo mediante la presión que aplique al interruptor de encendido/apagado. Aplique más presión para aumentar la velocidad y suelte la presión para disminuir la velocidad.

## 3. ÁREAS DE AGARRE DE LA MANO (VER FIG. G)

Siempre sostenga su sierra firmemente con ambas manos cuando la opere.

## 4. CORTE EN INMERSIÓN (VER FIG. H)



**ADVERTENCIA:** ¡El procedimiento de corte en inmersión solo es adecuado para tratar materiales blandos como madera, cartón yeso o similares! ¡No trabajar materiales metálicos blandos con el procedimiento de corte en inmersión!

Utilice solo hojas de sierra cortas para el corte en inmersión.

Coloque la sierra con el borde del pie de la hoja sobre la pieza de trabajo y enciéndala. Para herramientas eléctricas con control de velocidad de carrera, ajuste la velocidad de carrera máxima. Presione firmemente la sierra contra la pieza de trabajo y permita que la hoja de la sierra se sumerja lentamente en la pieza. Tan pronto como el pie de la hoja se apoye completamente en la superficie de la pieza de trabajo, continúe cortando a lo largo de la línea de corte deseada. Para ciertos trabajos, la hoja de sierra también puede insertarse girada 180° y la sierra de sable puede guiarse en consecuencia de manera invertida.

## 5. CORTE AL RAS (VER FIG. I)



**ADVERTENCIA:** Preste atención a que la hoja de la sierra siempre se extienda más allá del diámetro del material que se está trabajando. Existe peligro de retroceso. Es posible hacer cortes extremadamente

cerca de pisos, paredes y otras áreas difíciles. Inserte el vástago de la cuchilla en la abrazadera de la cuchilla con los dientes de la cuchilla hacia arriba (opuesto a la posición de trabajo normal).

Esto hará cortes más cerca de la superficie de trabajo. Usando cuchillas flexibles especiales, inserte la cuchilla en la abrazadera de la cuchilla con los dientes de la cuchilla hacia abajo (posición de trabajo normal). Permitirá cortar el tubo de descarga.

## 6. CORTES DE MADERA

Asegúrese siempre de que la pieza de trabajo esté firmemente sujeta para evitar que se mueva. Para un control más fácil, use la velocidad baja para comenzar a cortar, luego aumente a la velocidad correcta.

## 7. CORTE DE METALES

Esta sierra tiene diferentes capacidades de corte para metales dependiendo del tipo de cuchilla que se usa y del metal que se corta. Siempre sujete el trabajo hacia abajo para evitar que se deslice.

Use una cuchilla más fina para metales ferrosos y una gruesa para metales no ferrosos.

Al cortar láminas de metal de calibre delgado, siempre sujete la madera en ambos lados de la lámina. Ésto le dará un corte limpio sin exceso de vibración o desgarro del metal. No fuerce la herramienta eléctrica. Forzar la cuchilla reducirá la vida útil de la cuchilla y hará que se rompa.

**NOTA:** Recomendamos que extienda una película delgada de aceite u otro refrigerante a lo largo de la línea de corte antes de serrar. Ésto permitirá una operación más fácil y ayudará a extender la vida útil de la cuchilla. Al cortar aluminio, use queroseno.

## 8. CORTE DE BOLSILLO (SOLO MATERIALES BLANDOS. NO SUMERJA EL CORTE EN SUPERFICIES METÁLICAS) (VER FIG. J)

Marque el bolsillo o el orificio interno que se va a cortar.

Inserte la cuchilla de corte especial con los dientes de la cuchilla hacia abajo y sujételo

## SIERRA SABLE A BATERÍA

firmemente. Incline la sierra de manera que el borde posterior del protector de la hoja en reposo sobre la superficie del trabajo. Use una velocidad lenta para comenzar el corte para evitar romper la cuchilla, pero aumente a la velocidad correcta una vez que el corte haya comenzado. Con el protector de la hoja firmemente sujeto contra la superficie de trabajo, comience un movimiento lento pero controlado hacia arriba de la sierra. La cuchilla cortará dentro y a través del material. Siempre asegúrese de que la cuchilla atraviese completamente el material antes de cortar el resto del bolsillo.

## CONSEJOS DE TRABAJO PARA SU SIERRA ALTERNATIVA

Si su herramienta eléctrica se calienta demasiado, especialmente cuando se usa a baja velocidad, manténgala a velocidad máxima y hágala funcionar sin carga durante 2-3 minutos para enfriar el motor.

Asegúrese siempre de que la pieza de trabajo esté firmemente fijada para evitar su movimiento. El patín pivotante debe mantenerse firmemente contra el material cortado con el fin de reducir las vibraciones de la sierra, los saltos y las rupturas de la hoja.

## MANTENIMIENTO

Antes de empezar cualquier tarea de ajuste, mantenimiento o reparación, debe extraerse la batería de la herramienta.

No posee piezas en su interior que deban ser reparadas por el usuario. Nunca emplee agua o productos químicos para limpiar su herramienta. Use simplemente un paño seco. Guarde siempre su herramienta en un lugar seco. Mantenga limpias las ranuras de ventilación del motor. Mantenga todos los controles de funcionamiento libres de polvo. La observación de chispas que destellan bajo las ranuras de ventilación indica un funcionamiento normal que no dañará su herramienta.

## PROTECCION AMBIENTAL



Los residuos de aparatos eléctricos y electrónicos no deben depositarse en la basura doméstica. Se deben reciclar en las instalaciones especializadas. Consulte a las autoridades locales o el establecimiento para saber cómo reciclar estos productos.



# EC Declaración de Conformidad



Nosotros : **HYUNDAI Corporation Holdings Europe**  
Am Kronberger Hang 2A, 65824, Schwalbach am Taunus  
Germany

Declaramos que el producto detallado a continuación :  
**Sierra sable a batería**

**MODELO: RS20S-20**  
**FUNCIÓN: Serrar diferentes materiales**

Satisface los requisitos de las directivas del Consejo :  
2006/42/EC, 2011/65/EU & (EU)2015/863, 2014/30/EU

Normas cumplen con :  
EN 62841-1, EN 62841-2-11,  
EN IEC 55014-1, EN IEC 55014-2,  
EN IEC 63000

La persona autorizada para elaborar el expediente técnico,  
Nombre : **Hyundae Kim**  
Dirección : **HYUNDAI Corporation Holdings Europe**  
65824 Schwalbach am Taunus, Germany

Gerente general

---

Fecha : 2024.09.25

Jaiwon Hur

Director de proyecto

---

Sungwoo Hong

## ACCU RECIPROZAAG

# OORSPRONKELIJKE GEBRUIKSAANWIJZING PRODUCTVEILIGHEID ALGEMENE VEILIGHEIDSWAAR- SCHUWINGEN VOOR VERMOGENSMACHINE



**WAARSCHUWING!** Lees alle veiligheidswaarschuwingen, instructies, illustraties en specificaties die bij dit elektrisch gereedschap werden meegeleverd. *Het niet opvolgen van alle onderstaande voorschriften kan tot een elektrische schok, brand en/of ernstig persoonlijk letsel leiden.*

Bewaar alle waarschuwingen en instructies voor latere naslag.

De term “(elektrisch) gereedschap” in de waarschuwingen hieronder, verwijst naar uw op netspanning werkende gereedschap (met stroomdraad) of uw accugereedschap (draadloos).

### 1. WERKGEBIED

- a) Houd uw werkgebied schoon en zorg ervoor dat deze goed verlicht is. *In rommelige en slecht verlichte werkgebieden gebeuren sneller ongelukken.*
- b) Gebruik elektrisch gereedschap niet in explosieve atmosferen, zoals in de nabijheid van ontvlambare vloeistoffen, gassen of stof. *Elektrisch gereedschap veroorzaakt vonken die de stof of de gassen kunnen doen ontvlammen.*
- c) Houd kinderen en omstanders uit de buurt terwijl u met elektrisch gereedschap werkt. *Afleidingen kunnen ervoor zorgen dat u de controle over het gereedschap verliest.*

### 2. ELEKTRISCHE VEILIGHEID

- a) De stekker van het elektrisch gereedschap moet passen in het stopcontact. Pas de stekker op geen enkele manier aan om te zorgen dat hij wel past. Gebruik geen adapterstekkers terwijl u geaard elektrisch gereedschap gebruikt. *Onaangepaste stekkers die in het stopcontact passen, verminderen de kans op een elektrische schok.*
- b) Vermijd lichamelijke contact met geaarde

of gegronde oppervlakken, zoals buizen, radiatoren, fornuizen en koelkasten. *Als uw lichaam geaard of geground is, is er een grotere kans op een elektrische schok.*

- c) Stel uw elektrische gereedschap niet bloot aan regen of natte omstandigheden. *Water dat elektrisch gereedschap kan binnendringen, vergroot de kans op een elektrische schok.*
- d) Gebruik de stroomdraad niet op een andere manier dan waarvoor deze gemaakt is. Trek niet aan de stroomdraad, ook niet om de stekker uit het stopcontact te krijgen en draag het gereedschap niet door het aan de stroomdraad vast te houden. Houd de stroomdraad uit de buurt van hitte, olie, scherpe hoeken en bewegende onderdelen. *Beschadigde of verwarde stroomdraden vergroten de kans op een elektrische schok.*
- e) Wanneer u het elektrische gereedschap buitenshuis gebruikt, dient u te zorgen voor een verlengsnoer dat geschikt is voor gebruik buitenshuis. *Het gebruik van een verlengsnoer dat geschikt is voor gebruik buitenshuis, vermindert de kans op een elektrische schok.*
- f) Moet een krachtmachine in een vochtige locatie worden gebruikt, gebruik dan een aardlekschakelaar (ALS). *Een ALS vermindert het gevaar op elektrische schokken.*

### 3. PERSOONLIJKE VEILIGHEID

- a) Blijf alert, kijk waar u mee bezig bent en gebruik uw gezonde verstand wanneer u met elektrisch gereedschap werkt. Gebruik geen elektrisch gereedschap wanneer u moe bent of onder de invloed van drugs, alcohol of medicijnen. *Een moment van onoplettendheid bij het gebruik van elektrisch gereedschap kan leiden tot ernstig persoonlijk letsel.*
- b) Gebruik een veiligheidsuitrusting. Draag altijd oogbescherming. *Een veiligheidsuitrusting, zoals een stofmasker, schoenen met antislipzolen, een veiligheidshelm, of oorbescherming die onder de juiste omstandigheden gebruikt wordt, vermindert de kans op persoonlijk letsel.*
- c) Pas op dat het apparaat niet onbedoeld wordt gestart. Zorg ervoor dat de schakelaar uit staat voordat u de voeding en/of batterij aansluit, en als u de machine oppakt en draagt. *Gereedschap dragen terwijl u uw*

*vinger op de schakelaar houdt, of de stekker in het stopcontact steken terwijl het gereedschap ingeschakeld staat, is vragen om ongelukken.*

- d) Verwijder inbussleutels of moersleutels voordat u het gereedschap inschakelt. *Een sleutel die nog in of op een draaiend onderdeel van het elektrische gereedschap zit, kan leiden tot ernstig persoonlijk letsel.*
- e) Werk niet boven uw macht. Zorg er altijd voor dat u stevig staat en goed in balans bent. *Hierdoor heft u betere controle over het gereedschap in onverwachte situaties.*
- f) Draag geschikte kleding. Draag geen loszittende kleding of sieraden. Houd uw haar en kleding uit de buurt van bewegende onderdelen. *Loszittende kleding, sieraden of lang haar kan vast komen te zitten in bewegende onderdelen.*
- g) Wanneer er apparaten worden bijgeleverd voor stofafzuiging en –opvang, zorg er dan voor dat deze aangesloten zijn en op de juiste manier gebruikt worden. *Het gebruik van deze apparaten vermindert de gevaren die door stof kunnen ontstaan.*
- h) Als u gereedschap veelvuldig gebruikt, dan kan dit leiden tot het negeren van de veiligheidsprincipes, probeer dit te vermijden. *Een achteloze actie kan binnen een fractie van een seconde leiden tot ernstig letsel.*

#### 4. GEBRUIK EN ONDERHOUD VAN ELEKTRISCH GEREEDSCHAP

- a) Forceer het gereedschap niet. Gebruik gereedschap dat voor de toepassing geschikt is. *Het gebruik van geschikt gereedschap levert beter werk af en werkt veiliger als het gebruikt wordt op de snelheid waar het voor ontworpen is.*
- b) Gebruik het gereedschap niet wanneer de aan/uitschakelaar niet functioneert. *Gereedschap dat niet kan worden bediend met behulp van de schakelaar is gevaarlijk en dient te worden gerepareerd.*
- c) Haal de stekker uit het stopcontact en/of verwijder de accu, indien deze kan worden verwijderd, uit het gereedschap voordat u instellingen verandert, toebehoren vervangt of de machine opbergt. *Deze preventieve veiligheidsmaatregelen verminderen de kans op het ongewild inschakelen van het*

*gereedschap.*

- d) Berg gereedschap dat niet gebruikt wordt buiten het bereik van kinderen op en laat personen die niet bekend zijn met het gereedschap of met deze veiligheidsinstructies het gereedschap niet bedienen. *Elektrisch gereedschap kan in de handen van ongetrainde gebruikers gevaarlijk zijn.*
  - e) Onderhouden van het gereedschap en accessoires. Controleer of bewegende onderdelen nog goed uitgelijnd staan, of ze niet ergens vastzitten en controleer op elke andere omstandigheid die ervoor kan zorgen dat het gereedschap niet goed functioneert. Wanneer het gereedschap beschadigd is, dient u het te repareren voordat u het in gebruik neemt. *Veel ongelukken worden veroorzaakt door slecht onderhouden elektrisch gereedschap.*
  - f) Houd snijdend gereedschap schoon en scherp. *Goed onderhouden snijdend gereedschap met scherpe zaagbladen/messen zal minder snel vastlopen en is makkelijker te bedienen.*
  - g) Gebruik het gereedschap, de accessoires, de bitjes, enz. in overeenstemming met deze instructies en op de manier zoals bedoeld voor het specifieke type elektrisch gereedschap, rekening houdend met de werkomstandigheden en het uit te voeren werk. *Het gereedschap gebruiken voor andere doeleinden dan waar deze voor ontworpen is, kan gevaarlijke situaties opleveren.*
  - h) Houd de handgrepen en grijppoppervlakten droog, schoon en vrij van olie en smeermiddel. *Glibberige handgrepen en grijppoppervlakten laten geen veilige hantering toe, en zorgen ervoor dat u geen controle hebt over het gereedschap in onverwachte omstandigheden.*
- #### 5. GEBRUIK EN ONDERHOUD VAN ACCUGEREEDSCHAP
- a) Laad het accupack alleen op met de door de fabrikant aangegeven oplader. *Een oplader die geschikt is voor het ene type accupack, kan brand veroorzaken wanneer die gebruikt wordt voor een ander type accupack.*
  - b) Gebruik het gereedschap uitsluitend met het

## ACCU RECIPROZAAG

aangegeven accupack. Door het gebruik van andere accupacks ontstaat de kans op letsel of brand.

- c) Wanneer het accupack niet gebruikt wordt, dient u het uit de buurt te houden van metalen voorwerpen, zoals paperclips, munten, sleutels, spijkers, schroeven of andere kleine metalen voorwerpen die een verbinding kunnen maken tussen de contactpunten van de terminal. Het kortsluiten van de accuterminals kan zorgen voor brandwonden of brand.
- d) Onder extreme omstandigheden kan er vloeistof uit de accu lopen; raak deze vloeistof niet aan. Wanneer u toch onverhoopt met de vloeistof in aanraking komt, dient u dit onmiddellijk af te spoelen met water. Wanneer de vloeistof in de ogen komt, dient u zo snel mogelijk een arts te raadplegen. Vloeistof die afkomstig is uit de accu kan irritatie of brandwonden veroorzaken.
- e) Gebruik geen accu of gereedschap dat beschadigd of aangepast is. Beschadigde of aangepaste accu's kunnen onvoorspelbaar reageren, wat kan leiden tot brand, explosie of het veroorzaken van letsel.
- f) Stel een accu of gereedschap niet bloot aan vuur of extreme temperatuur. Blootstelling aan brand of een temperatuur boven 130°C kan explosie veroorzaken.
- g) Volg alle instructies en laad de accu of het gereedschap niet op buiten het temperatuurbereik dat vermeld is in de handleiding. Onjuist opladen of opladen bij temperaturen buiten het aangegeven bereik kan de accu beschadigen en het risico op brand vergroten.

### 6. SERVICE

- a) Laat uw elektrische gereedschap repareren door een bevoegde reparateur die alleen originele reserveonderdelen gebruikt. Zo bent u er zeker van dat uw gereedschap veilig blijft.
- b) Repareer nooit beschadigde accu's. Reparatie van accu's mag alleen worden uitgevoerd door de fabrikant of geautoriseerde onderhoudstechnici.

## VEILIGHEIDSWAARSCHUWINGEN RECIPROZAAG

1. Houd het gereedschap vast bij de geïsoleerde handgrepen wanneer de zaag in contact zou kunnen komen met verborgen leidingen of de eigen stroomdraad. Contact met een draad die onder stroom staat, zorgt ervoor dat de metalen delen van de machine ook onder stroom komen te staan, waardoor u een elektrische schok kunt krijgen.
2. Gebruik de klemmen of bevestig op een andere praktische manier het werkstuk op een stabiele ondergrond. Als u het werkstuk handmatig vasthoudt of tegen uw lichaam houdt, is het instabiel en kunt u de controle erover verliezen.

## SYMBOLEN



Om het risico op letsels te beperken, moet u de gebruikershandleiding lezen



Waarschuwing



Draag oorbescherming



Draag een veiligheidsbril



Draag een stofmasker



Afgedankte elektrische producten mogen niet bij het normale huisafval terechtkomen. Breng deze producten waar mogelijk naar een recyclecentrum bij u in de buurt. Vraag de verkoper of de gemeente informatie en advies over het recyclen van elektrische apparatuur.

## COMPONENTENLIJST

1. MES
2. PIVOTVOETPLAAT
3. VERGRENDELHENDEL VOOR GEREEDSCHAPSVRIJE BLADKLEM
4. AAN/UIT-SCHAKELAAR
5. VERGRENDELKNOP
6. BATTERIJPAKKET*
7. KNOP VOOR HET VRIJGEVEN VAN HET BATTERIJPAKKET*
8. HEFPLAATVERSTELLINGSHENDEL

\* Niet alle afgebeelde of beschreven accessoires zijn opgenomen in de standaard levering.

## TECHNISCHE GEGEVENS

Type RS20S-20 (20S-20-daanduiding van machines, vertegenwoordiger van de kenmerkend reciprozaag)

Spanning		18V $\overline{\text{---}}$ (20V Max.)
Geen laadsnelheid		0-3000 /min
Testganglengte		20mm
Snijden capaciteit	Hout	100mm
	Staal	10mm
Machinegewicht (zonder batterij)		1.73kg

NL

## GESCHIKTE BATTERIJEN

Artikelnummer	BI20-2	BI20-4
Batteri capaciteit	2.0Ah	4.0Ah
	Niet inbegrepen	Aanbevolen (niet inbegrepen)

## GESCHIKTE OPLADERS

Artikelnummer	C20-2	C20-4
Ingang oplader	100-240V~50/60Hz, 55W	100-240V~50/60Hz, 95W
Uitgang oplader	20V $\overline{\text{---}}$ 2.0A	20V $\overline{\text{---}}$ 4.0A
Laadtijd (ongeveer)	1hr (2.0 Ah) 2hrs (4.0 Ah)	30mins (2.0 Ah) 60mins (4.0 Ah)
Oplader beschermingsklasse	$\square$ /II	$\square$ /II
	Niet inbegrepen	Niet inbegrepen

## GELUIDSPRODUCTIE

A-gewogen geluidsdruk		$L_{pA}$ : 84dB (A)
A-gewogen geluidsvermogen		$L_{wA}$ : 92dB (A)
$K_{pA}$ & $K_{wA}$		5dB (A)
Draag oorbescherming.		

## ACCU RECIPROZAAG

### TRILLINGSGEGEVENS

Totale trillingswaarden (som triaxvector) bepaald volgens EN 62841:	
Zagen van board	Trillingswaarde: $a_{n,B} = 16,7\text{m/s}^2$
	Fout K = $1.5\text{m/s}^2$
Zagen van houten balk	Trillingswaarde: $a_{n,WB} = 18,6\text{m/s}^2$
	Fout K = $1.5\text{m/s}^2$

De gedeclareerde totale trillingswaarde en de gedeclareerde geluidsemissiewaarde zijn gemeten volgens een standaard testmethode en kunnen worden gebruikt om één gereedschap te vergelijken met een ander. De gedeclareerde totale trillingswaarde en de gedeclareerde geluidsemissiewaarde kunnen ook worden gebruikt bij een voorlopige beoordeling van de blootstelling.

**!** **WAARSCHUWING!** De trillingsemissiewaarde tijdens het feitelijke gebruik van dit elektrisch gereedschap kan afwijken van de opgegeven waarde, afhankelijk van de wijze waarop het gereedschap wordt gebruikt, zoals in de volgende voorbeelden:

Hoe de machine gebruikt wordt en hoe het materiaal gesneden of geboord wordt.

De conditie en de onderhoudstoestand van de machine.

Gebruik van de juiste toebehoren. Zorg ervoor dat ze scherp zijn en in goede conditie.

Hoe stevig de handgreep wordt vastgehouden en of er anti-trilling en -geluidsaccessories worden gebruikt.

De machine moet gebruik worden zoals door de ontwerper bedoeld is en in overeenstemming met deze instructies.

Deze machine kan een trillingssyndroom in hand en arm veroorzaken als hij niet op de juiste wijze gehanteerd wordt.

**!** **WAARSCHUWING!** Voor de nauwkeurigheid moet bij een schatting van het blootstellingsniveau in de feitelijke gebruiksomstandigheden rekening worden gehouden met alle delen van de bewerking, zoals het moment dat de machine wordt uitgeschakeld en de tijden waarop de machine loopt zonder daadwerkelijk gebruikt te worden. Dit kan het blootstellingsniveau over de totale werkperiode aanzienlijk verminderen.

Het risico op blootstelling aan trillingen en geluid verminderen.

Gebruik ALTIJD scherpe beitels, boren en zaagbladen.

Onderhoud de machine volgens deze instructies en houd hem goed gesmeerd (voor zover van toepassing).

Als het gereedschap regelmatig wordt gebruikt, investeer dan in anti-trilling en -geluidsaccessories.

Plan de werkzaamheden zodat de taken met veel trillingen over een aantal dagen verspreid worden.

### ACCESSORIES

Houten snijdenblad	1
Metalen zaagblad	1

We raden u aan uw accessoires te kopen in dezelfde winkel die u de tool heeft verkocht. Zie de accessoire-verpakking voor meer informatie. Winkelpersoneel kan u helpen met advies.

## BEDIENINGSIN- STRUCTIES



**OPMERKING:** Lees de handleiding zorgvuldig door voordat u het gereedschap gebruikt.

### BEOOGDE GEBRUIK

De machine is ontworpen om hout, plastic, metaal en bouwmaterialen te snijden terwijl het rusten stevig op het werkstuk. Het is geschikt voor rechte en gebogen sneden.

### ASSEMBLAGE

#### 1. BLADBEVESTIGING EN -VERWIJDERING ZONDER GEREEDSCHAP (ZIE AFB. A1, A2)

- 1) Draai de hendel voor het gereedschapsvrije bladklem tegen de klok in naar de maximale hoek en houd deze vast.
- 2) Steek de bladsteel door de bladklem en door de bladbeschermer tot het stopt. Zorg ervoor dat het kleine gaatje in het blad op de pin in de klem zit.
- 3) Laat de hendel voor het gereedschapsvrije bladklem los. De klemhendel keert automatisch terug naar de oorspronkelijke positie.
- 4) Trek aan het blad om te controleren of het vergrendeld is. Om een blad te verwijderen, volg deze instructies in omgekeerde volgorde.



**WAARSCHUWING:** De tanden van het mes zijn zeer scherp. Om de beste snijdenresultaten te krijgen, moet u een mes gebruiken dat geschikt is voor het snijden van materiaal, en dat kwaliteit nodig heeft.

#### 2. VOETPLAAT AANPASSING (ZIE AFB. B)

Stel de positie van de voetplaat aan op basis van de lengte van het blad en de dikte van het te werkstuk; Zorg er altijd voor dat het mes verder gaat dan het stuk langs de run.

#### - Hoek van voetplaat aanpassen

De draaivoetplaat kantelt om het grootste deel van het oppervlak in contact te houden met het werkoppervlak. Om aan te passen, houdt u de steunplaat stevig vast en draait u naar de

gewenste positie.

#### 3. DIEPTE VAN SNIJ-INSTELLING (ZIE AFB. C1, C2)

Indien u de snijcapaciteit van uw gereedschap (snijdiepte) wilt verminderen, kan het zwenkbare voetplaat als volgt worden afgesteld:

- 1) Draai de voetplaatverstelhendel los door deze naar beneden te draaien naar de onderkant van de voorbehuizing.
- 2) Schuif de zwenkbare voetplaat naar voren of naar achteren naar de gewenste positie.
- 3) Draai de voetplaatverstelhendel aan door deze naar boven te draaien naar de oorspronkelijke positie. Controleer of de voetplaat stevig vergrendeld is.

### VOOR HET STARTEN

#### 1. HET AANPASSEN VAN DE HAAK EN LUS SCHUREN PAPIER (NIET INBEGREPEN) (ZIE AFB. D1, D2)

Om de accu te verwijderen, drukt u eerst stevig op de ontgrendelknop van de accu en schuift u vervolgens de accu uit het gereedschap.

Om de accu te installeren, schuift u de volledig opgeladen accu met voldoende kracht op het gereedschap totdat deze op zijn plaats klikt.

### FUNCTIONEERT

#### 1. VEILIGHEIDS AAN / UIT SCHAKELAAR (ZIE AFB. E)

Om de aan/uit-schakelaar te vergrendelen, plaatst u de vergrendelknop in het midden. Dit helpt het risico op onbedoeld starten te verminderen. Druk op de vergrendelknop naar links of naar rechts en laat vervolgens de vergrendelknop los. Uw schakelaar staat nu aan. Om uit te schakelen, laat u eenvoudig de aan/uit-schakelaar los.

**OPMERKING:** De LED-verlichting verlicht automatisch het werkgebied wanneer het product is ingeschakeld.



**WAARSCHUWING:** DKijk niet rechtstreeks in het LED-licht!

#### 2. VARIABELE SNELHEIDSREGELING (ZIE AFB. F)

De aan/uit-schakelaar is ook een variabele snelheidsregelende trekschakelaar. De

## ACCU RECIPROZAAG

slagfrequentie van de zaagbladplunjer kan worden aangepast van het minimum tot het maximum door de druk die u uitoefent op de aan/uit-schakelaar.

Oefen meer druk uit om de snelheid te verhogen en laat de druk los om de snelheid te verlagen.

### 3. HANDGREEPGEBIEDEN (ZIE AFB. G)

Houd de zaag altijd stevig vast met beide handen tijdens het hardlopen.

### 4. DOMPELSNIJDEN (ZIE AFB. H)


 **WAARSCHUWING:** De dompelsnijdprocedure is alleen geschikt voor het bewerken van zachte materialen zoals hout, gipsplaat of vergelijkbaar! Werk niet met zachte metalen materialen met de dompelsnijdprocedure!

Gebruik alleen korte zaagbladen voor dompelsnijden.

Plaats de zaag met de rand van de zaagbladvoet op het werkstuk en schakel in. Voor elektrisch gereedschap met snelheidsregeling van de slag, stel de maximale slagfrequentie in. Druk de zaag stevig tegen het werkstuk en laat het zaagblad langzaam in het werkstuk zakken.

Zodra de zaagbladvoet volledig op het oppervlak van het werkstuk rust, zaag dan langs de gewenste snijlijn. Voor bepaald werk kan het zaagblad ook worden omgedraaid met 180° en kan de reciprozaag dienovereenkomstig in omgekeerde volgorde worden geleid.

### 5. VLAKKE SNEDEN (ZIE AFB. I)

 **WAARSCHUWING:** Let op dat het zaagblad altijd uitsteekt buiten de diameter van het materiaal dat wordt bewerkt. Er bestaat gevaar voor terugslag. Het is mogelijk om extreem dicht bij bodems, muren en andere moeilijke gebieden te snijden. Plaats de bladstaaf in de bladhouder van het mes met tanden naar boven gericht (tegenover de normale werkpositie). Dit zal de sneden dichter bij het werkoppervlak. Plaats het blad met speciale flexibele messen in de bladhouder met de bladtanden naar beneden gericht (normale werkpositie). Hierdoor wordt

de ontladingsbuis doorgesneden.

### 6. HOUTSNIJDEN

Zorg er altijd voor dat het werkstuk goed is vastgezet om beweging te voorkomen. Om de controle te vergemakkelijken, gebruik de lage snelheid om te beginnen met snijden en vervolgens te verhogen tot de juiste snelheid.

### 7. METAAL SNIJDEN

Deze zaag heeft metalen snijmogelijkheden, afhankelijk van het type blad dat wordt gebruikt en het te snijden metaal.

Altijd klem het werk om te voorkomen dat het naar beneden glijdt.

Gebruik een dunner mes voor ferrometalen en een dikte mes voor non-ferrometalen.

Bij het snijden van fijne metalen van de manometer vel, altijd een klemhout aan beide zijden van het blad. Dit geeft een schone snede zonder overmatige trillingen of metaal Scheuren.

Niet forceer het snijblad. Forceer het mes zal de levensduur van het mes verminderen en het blad breken.

**OPMERKING:** Wij raden u aan een dunne laag olie of andere koelvloeistof langs de voorlopende snijlijn van de zaag te strooien. Dit zal een gemakkelijker werking en verlengen van de levensduur van het blad. Bij het snijden van aluminium, Gebruik kerosine.

### 8. ZAKSNIJDEN (ALLEEN ZACHTE MATERIALEN. GEEN VERMINDERING VAN DE ONDERDOMPELING IN METALEN OPPERVLAKKEN) (ZIE AFB. J)

Markeer de zak of het binnenste gat dat moet worden gesneden. Plaats het speciale snijblad met de bladtanden naar beneden en zet het stevig vast. Stel de zaag zo in dat het back-end beschermingsblad wordt ondersteund op het werkoppervlak. Gebruik een langzame snelheid om te beginnen met snijden om te voorkomen dat het breken van het blad, maar verhogen op de juiste snelheid zodra de snede begint. Met de bescherming van het blad stevig tegen het werkoppervlak, start een langzame maar gecontroleerde swing de zaag. Het blad snijdt in en door het materiaal. Zorg er altijd voor dat het mes volledig door



het materiaal gaat voordat u de rest van uw zak snijdt.

## TIPS VOOR HET GEBRUIK VAN DE RECIPROZAAG


Wanneer het gereedschap te heet wordt, stelt u de snelheid in op maximaal en laat u het gereedschap 2-3 minuten onbelast draaien om de motor af te laten koelen.

Zorg er altijd voor dat het werkobject stevig vastgeklemd zit om bewegingen te voorkomen. De voetplaat moet altijd stevig tegen het te zagen materiaal gedrukt worden om trillingen, het verspringen van het zaagblad of het breken van het zaagblad te voorkomen.

## ONDERHOUD

Verwijder het accu uit het gereedschap voordat u aanpassingen of onderhoudswerkzaamheden uitvoert. Dit gereedschap bevat geen onderdelen die door de gebruiker dienen te worden onderhouden. Gebruik nooit water of chemische reinigingsmiddelen voor het schoonmaken van uw elektrische gereedschap. Veeg schoon met een droge doek. Bewaar uw elektrische gereedschap altijd op een droge plaats. Houd de ventilatieopeningen van de motor schoon. Houd alle bedieningselementen vrij van stof. Af en toe ziet u vonken in de ventilatiegleuven. Dit is normaal en zal uw gereedschap niet beschadigen.

## BESCHERMING VAN HET MILIEU

 Afgedankte elektrische producten mogen niet bij het normale huisafval terechtkomen. Breng deze producten waar mogelijk naar een recyclecentrum bij u in de buurt. Vraag de verkoper of de gemeente informatie en advies over het recyclen van elektrische apparatuur.

## ACCU RECIPROZAAG

# EC Verklaring van Overeenstemming



Wij : **HYUNDAI Corporation Holdings Europe**  
Am Kronberger Hang 2A, 65824, Schwalbach am Taunus  
Germany

Verklaren dat het onderstaande product :  
**Accu reciprozaag**

**MODEL: RS20S-20**  
**FUNCTIE: Verschillende materialen zagen**

Voldoet aan de vereisten van de richtlijnen van de Raad:  
2006/42/EC, 2011/65/EU & (EU)2015/863, 2014/30/EU

Normen voldoen aan:  
**EN 62841-1, EN 62841-2-11,**  
**EN IEC 55014-1, EN IEC 55014-2,**  
**EN IEC 63000**

De persoon die bevoegd is om het technisch dossier samen te stellen,  
**Naam: Hyundae Kim**  
**Adres: HYUNDAI Corporation Holdings Europe**  
**65824 Schwalbach am Taunus, Germany**

Algemeen directeur

Jaiwon Hur

Projectmanager

Sungwoo Hong

Datum : 2024.09.25

# INSTRUCȚIUNI ORIGINALE SECURITATEA PRODUSULUI AVERTISMENTE GENERALE DE SIGURANȚĂ PENTRU UNELTE ELECTRICE



**ATENȚIONARE!** Citiți toate atenționările de siguranță și parcurgeți toate instrucțiunile, ilustrațiile și specificațiile atașate acestei scule electrice. Nerespectarea tuturor instrucțiunilor enumerate mai jos poate duce la electrocutare, incendiu și/ sau leziune corporală gravă.

**Păstrați toate avertismentele și instrucțiunile pentru consultări ulterioare.**

Termenul „unealtă electrică” din avertismente se referă la o unealtă electrică alimentată de la rețeaua de energie electrică (prin cablu) sau la o unealtă electrică alimentată de la un acumulator (fără cablu).

## 1. SIGURANȚA ZONEI DE LUCRU

- a) **Mențineți zona de lucru curată și bine iluminată.** Zonele de lucru în dezordine și întunecoase favorizează accidentele.
- b) **Nu utilizați uneltele electrice în atmosfere explozive, de exemplu în prezența unor lichide, gaze sau praf inflamabile.** Uneltele electrice provoacă scânteii ce pot aprinde pulbera sau vaporii.
- c) **Asigurați-vă că nu sunt în apropiere persoane și copii în timpul funcționării unei unelte electrice.** Distragerea atenției poate duce la pierderea controlului uneltei.

## 2. SIGURANȚA ELECTRICĂ

- a) **Fișele uneltei electrice trebuie să se potrivească perfect în priza de alimentare.** Nu modificați niciodată ștecherul. Nu folosiți niciun adaptor pentru uneltele electrice cu împământare. Utilizarea ștecherelor nemodificate în prize corespunzătoare va reduce riscul electrocutării.

- b) **Evitați contactul fizic cu suprafețe cu legătură la pământ, cum ar fi țevi, radiatoare, mașini de gătit sau frigider.** Riscul electrocutării este mai mare în cazul în care corpul dumneavoastră vine în contact cu suprafața împământată.
- c) **Nu expuneți uneltele electrice la ploaie sau la umiditate.** Dacă intră apă în unealta electrică, riscul electrocutării este mai mare.
- d) **Nu deteriorați cablul de alimentare.** Nu folosiți niciodată cablul pentru transportarea, tragerea sau scoaterea din priză a uneltei electrice. Păstrați cablul de alimentare la distanță de căldură, ulei, margini ascuțite sau părți mobile. Cablurile deteriorate sau încurcate măresc riscul electrocutării.
- e) **Când folosiți unealta electrică în exterior, utilizați un prelungitor potrivit pentru utilizarea în exterior.** Utilizarea unui cablu potrivit pentru uzul în exterior reduce riscul electrocutării.
- f) **Dacă utilizarea uneltei electrice într-un loc umed nu poate fi evitată, folosiți o alimentare protejată cu dispozitiv de curent rezidual (RCD).** Folosirea unui dispozitiv RCD reduce riscul electrocutării.

## 3. SIGURANȚA PERSONALĂ

- a) **Fiți concentrat, urmăriți ceea ce faceți și dați dovadă de simț practic când folosiți o unealtă electrică.** Nu folosiți o unealtă electrică dacă sunteți obosit sau sub influența drogurilor, a alcoolului sau a medicamentelor. O clipă de neatenție în timpul funcționării uneltei electrice poate duce la accidentări personale grave.
- b) **Folosiți echipament personal de protecție.** Purtați întotdeauna ochelari de protecție. Echipamentele de protecție precum masca de protecție contra prafului, încălțămîntea cu talpă antiderapantă, casca sau protecția pentru urechi vor reduce riscul accidentărilor, utilizate în mod corespunzător.
- c) **Preveniți punerea accidentală în funcțiune.** Asigurați-vă că întrerupătorul se află în poziția de oprire înainte de a face conectarea la sursa de alimentare și/sau la acumulator, înainte de a ridica sau a transporta unealta. Transportarea

## FERĂSTRĂU CU MIȘCARE ALTERNATIVĂ

*uneltelor electrice ținând degetul pe întrerupător sau alimentarea acestora cu întrerupătorul pornit poate duce la accidentări.*

- d) **Scoateți orice cheie de reglare sau cheie de piulițe înainte de a porni unealta electrică.** *O cheie de piulițe sau o altă cheie rămasă prinsă de o componentă rotativă a unelei poate duce la rănirea personală.*
- e) **Păstrați un echilibru corect. Mențineți-vă permanent echilibrul și sprijiniți-vă ferm pe picioare.** *Acest lucru permite un control mai bun al unelei electrice în situații neprevăzute.*
- f) **Îmbrăcați-vă corespunzător. Nu purtați îmbrăcăminte prea largă sau bijuterii.** *Țineți la distanță părul și hainele dvs. de piesele în mișcare ale unelei electrice. Hainele prea largi, bijuteriile și părul lung se pot prinde în piesele mobile.*
- g) **Dacă sunt furnizate accesoriile pentru conectarea unor dispozitive de aspirare și colectare a prafului, asigurați-vă că acestea sunt montate și folosite corect.** *Folosirea colectorului de praf poate reduce riscul accidentărilor din cauza prafului.*
- h) **Nu lăsați ca odată cu familiarizarea dvs. cu utilizarea unelei să deveniți indolenți și să uitați respectarea principiilor de siguranță ale unelei electrice.** *Orice acțiune nesăbuită poate duce la leziuni corporale grave într-o fracțiune de secundă.*

### 4. UTILIZAREA ȘI ÎNTREȚINEREA UNELTELOR ELECTRICE

- a) **Nu forțați unealta electrică. Folosiți unealta electrică potrivită pentru aplicație.** *Cu unealta electrică potrivită, veți lucra mai bine și mai în siguranță, la viteza pentru care a fost concepută.*
- b) **Nu folosiți unealta electrică dacă nu o puteți porni sau opri de la întrerupător.** *Orice unealtă electrică ce nu poate fi acționată de la întrerupător este periculoasă și trebuie reparată.*
- c) **Scoateți ștecherul din sursa de curent și/ sau scoateți bateria din unealta electrică înainte de a efectua reglaje, de a schimba accesoriile sau de a depozita unelte**

*electrice. Astfel de măsuri de siguranță reduc riscul pornirii accidentale a unelei electrice.*

- d) **Nu lăsați uneltele electrice la îndemâna copiilor și nu permiteți persoanelor ce nu știu să le manevreze și nu cunosc instrucțiunile să acționeze aceste unelte.** *Uneltele electrice sunt periculoase în mâinile utilizatorilor neinstruiți.*
  - e) **Întreținerea unelei electrice și ale accesoriilor aferente. Verificați posibila aliniere incorectă sau posibilă blocare a componentelor mobile, deteriorarea componentelor sau orice alte situații care pot afecta funcționarea unelei electrice.** *Dacă unealta electrică este deteriorată, reparați-o înainte de utilizare. Multe accidente sunt provocate din cauza întreținerii incorecte a uneltelor.*
  - f) **Uneltele de tăiere trebuie menținute ascuțite și curate.** *Riscul blocării uneltelor de tăiere cu margini ascuțite întreținute corect este mai mic și acestea sunt mai ușor de controlat.*
  - g) **Folosiți unealta electrică, accesoriile, piesele etc. conform acestor instrucțiuni, luând în considerare condițiile de lucru și operația de efectuat.** *Folosirea unelei electrice pentru operații diferite de cele pentru care a fost concepută poate duce la accidente.*
  - h) **Păstrați uscate, curate și fără urme de ulei sau grăsime mânerul și suprafețele de apucare ale unelei.** *Mânerul și suprafețele de apucare alunecoase împiedică manipularea și controlul sigur al unelei tocmai în cele mai neașteptate situații.*
- ### 5. UTILIZAREA ȘI ÎNTREȚINEREA UNELTELOR CU ACUMULATORI
- a) **Efectuați reincărcarea numai cu încărcătorul specificat de producător.** *Un încărcător adecvat pentru un anumit tip de acumulator poate prezenta risc de incendiu dacă este utilizat cu alt tip de acumulator.*
  - b) **Folosiți mașinile electrice numai cu acumulatorii special destinați acestora.** *Utilizarea oricăror altor acumulatori poate*

prezenta risc de rănire și de incendiu.

- c) Când nu folosiți acumulatorul, țineți-l la distanță de obiecte metalice precum agrafe de birou, monede, chei, cuie, șuruburi sau alte obiecte metalice mici, ce pot constitui o legătură între cele două borne. *Un scurtcircuit al bornelor acumulatorului poate duce la arsuri sau incendiu.*
- d) În condiții necorespunzătoare de utilizare, se poate prelinge lichid din acumulator; evitați contactul. În caz de producere accidentală a contactului, clătiți bine cu apă. Dacă v-a intrat lichid în ochi, consultați imediat medicul. *Lichidul expulzat din acumulator poate cauza iritații sau arsuri.*
- e) Nu utilizați acumulatorul sau scula dacă acestea sunt deteriorate sau modificate. *Acumulatorii deteriorați sau modificați se pot comporta într-un mod imprevizibil, crescând riscul unui incendiu, unei explozii sau leziunilor corporale.*
- f) Evitați expunerea la foc și la temperaturi excesive a acumulatorului sau a sculei. *Expunerea la foc sau la temperaturi care depășesc 130°C poate duce la explozie.*
- g) Respectați toate instrucțiunile de reîncărcare și nu încărcați acumulatorul sau scula decât în plaja de temperaturi specificată în instrucțiuni. *Reîncărcarea necorespunzătoare sau la temperaturi din afara plajei de temperaturi specificate poate duce la deteriorarea acumulatorului și la creșterea riscului de incendiu.*
- 6. SERVICE**
- a) **Service-ul uneltei electrice trebuie efectuat de persoane calificate, folosind doar piese de schimb originale.** *Acest lucru va asigura folosirea în continuare a uneltei electrice în siguranță.*
- b) **Nu reparați niciodată acumulatorii deteriorați.** *Service-ul acumulatorilor trebuie efectuat numai de către fabricant sau de centre de service autorizate.*

## REGULI SUPPLEMENTARE PRIVIND SIGURANȚA PENTRU FERĂSTRĂUL MECANIC

- Țineți ferăstrăul mecanic de suprafețele de prindere izolate atunci când efectuați o operațiune în care accesoriul de tăiere poate intra în contact cu fire ascunse.** *Accesoriul de tăiere care intră în contact cu un fir sub tensiune poate pune sub tensiune componentele metalice neizolate ale uneltei electrice și poate produce un șoc electric asupra operatorului.*
- Utilizați cleme de fixare sau vreun alt mod practic de a fixa și a sprijini piesa de prelucrat pe o platformă stabilă.** *Apucarea și imobilizarea piesei de prelucrat cu mâna sau sprijinirea ei de corpul dvs. nu reprezintă o fixare sigură a acesteia, și poate duce la pierderea controlului asupra piesei.*

## SIMBOLURI



Pentru a reduce riscul de accidentări, utilizatorul trebuie să citească manualul de instrucțiuni



Atenționare



Purtați echipament de protecție pentru urechi



Purtați echipament de protecție pentru ochi



Purtați mască de protecție contra prafului



Produsele electrice nu trebuie depuse la deșeurile împreună cu gunoierul menajer. Vă rugăm să depuneți produsele electrice la unitățile de reciclare existente. Consultați cu autoritățile locale sau cu distribuitorul pentru sfaturi privind reciclarea.

## FERĂSTRĂU CU MIȘCARE ALTERNATIVĂ

### LISTA COMPONENTELOR

1. LAMĂ
2. PLACĂ PIVOTANTĂ PENTRU PICIOR
3. MANETĂ DE FIXARE A LAMEI FĂRĂ SCULE
4. BUTON PORNIRE/OPRIRE
5. BUTON DE BLOCARE
6. PACHET DE BATERII*
7. BUTON DE ELIBERARE A PACHETULUI DE BATERII*
8. MANETĂ DE AJUSTARE A PLĂCII PENTRU PICIOR

\* Nu toate accesoriile ilustrate sau descrise sunt incluse în furnitura standard.

### DATE TEHNICE

Tip RS20S-20 (20S-20-denumirea mașinii, reprezentativ pentru ferăstrău alternativ)

Tensiune nominală		18V $\overline{\text{---}}$ (20V Max.)
Viteză fără sarcină		0-3000 /min
Lungimea cursei		20mm
Capacitatea de tăiere	Lemn	100mm
	Oțel	10mm
Greutatea mașinii (fără baterie)		1.73kg

### PACHETE DE BATERII POTRIVITE

Număr de articol	BI20-2	BI20-4
Capacitatea acumulatorului	2.0Ah	4.0Ah
	Nu este inclus	Recomandat (Nu este inclus)

### ÎNCĂRCĂTOARE POTRIVITE

Număr de articol	C20-2	C20-4
Intrare încărcător	100-240V~50/60Hz, 55W	100-240V~50/60Hz, 95W
Ieșire încărcător	20V $\overline{\text{---}}$ 2.0A	20V $\overline{\text{---}}$ 4.0A
Timp de încărcare (aproximativ)	1hr (2.0 Ah) 2hrs (4.0 Ah)	30mins (2.0 Ah) 60mins (4.0 Ah)
Clasa de protecție a încărcătorului	$\square$ // II	$\square$ // II
	Nu este inclus	Nu este inclus

### INFORMAȚII PRIVIND ZGOMOTUL

Presiune sonică ponderată	$L_{pA}$ : 84dB (A)
Putere acustică ponderată	$L_{wA}$ : 92dB (A)
$K_{pA}$ & $K_{wA}$	5dB (A)
Purtați echipament de protecție pentru urechi.	

## INFORMAȚII PRIVIND VIBRAȚIILE

Valori totale vibrații (sumă vectorială triaxială) determinată conform EN 62841:	
Plăci de tăiere	Valoare emisii de vibrații: $a_{h,B} = 16,7\text{m/s}^2$
	Marjă de eroare $K = 1.5\text{m/s}^2$
Tăierea grinzilor de lemn	Valoare emisii de vibrații: $a_{h,WB} = 18,6\text{m/s}^2$
	Marjă de eroare $K = 1.5\text{m/s}^2$

Aloarea totală declarată pentru vibrații și pentru zgomot a fost măsurată în concordanță cu metoda de testare standard și poate fi utilizată și la compararea a două unele.

Valoarea totală declarată pentru vibrații și pentru zgomot poate fi utilizată și la evaluarea preliminară a expunerii la acestea.

**ATENȚIONARE!** Nivelul emisiilor de vibrații și de zgomot în timpul utilizării reale a unelei poate să difere de valorile declarate, aceste valori fiind în funcție de modalitățile de utilizare ale sculei, dar mai ales de felul piesei prelucrate cu unealta. Iată în continuare niște exemple de utilizare care conduc la apariția diferențelor de valori:

Modul în care scula este folosită și tipul de materiale tăiate sau sfredelite.

Scula este în stare bună de funcționare și bine întreținută.

Folosirea accesoriului corect pentru sculă și păstrarea acesteia în condiții bune.

Forța de apucare a mânerelor și dacă s-a utilizat vreun accesoriu de reducere a vibrațiilor și a zgomotului.

Scula este folosită conform indicațiilor din fabrică și conform acestor instrucțiuni.

**Această sculă poate cauza sindromul vibrație mână-braț dacă nu este folosită în mod corespunzător.**

**ATENȚIONARE!** Pentru a fi corectă, estimarea nivelului de expunere în condiții concrete de folosire trebuie să ia în considerare toate părțile ciclului de operare cum ar fi de câte ori scula este oprită și cât timp este pornită dar nu lucrează. Acest lucru poate reduce semnificativ nivelul de expunere de-a lungul perioadei de lucru totale.

Minimalizarea riscului de expunere la vibrații și la zgomot.

Folosiți ÎNTOTDEAUNA dalte, burghiuri și lame ascuțite.

Păstrați acest aparat în conformitate cu aceste instrucțiuni și păstrați-l bine gresat (dacă e cazul).

Dacă unealta va fi utilizată în mod regulat, atunci nu ezitați să investiți în procurarea de accesorii antivibrație și antizgomot.

Planificați-vă programul de lucru pentru a folosi sculele cu număr mare de vibrații de-a lungul a mai multe zile.

## ACCESORII

Lamă de tăiat lemn	1
Lama de tăiere din metal	1

Vă recomandăm să achiziționați accesoriile de la același magazin de la care ați cumpărat unealta. Consultați ambalajul accesoriului pentru detalii suplimentare. Personalul din magazin vă poate oferi asistență și sfaturi.

## FERĂSTRĂU CU MIȘCARE ALTERNATIVĂ

### INSTRUCȚIUNI DE OPERARE



**NOTĂ:** Înainte de a utiliza unealta, citiți cu atenție manualul de instrucțiuni.

#### UTILIZAREA RECOMANDATĂ

Mașina este destinată tăierii lemnului, plasticului, metalului și materialelor de construcție, în timp ce se sprijină ferm pe piesa de prelucrat. Este potrivită pentru tăieturi drepte și curbate.

#### ASAMBLARE

##### 1. MONTARE ȘI DEMONTARE FĂRĂ SCULE A LAMEI (A SE VEDEA FIG. A1, A2)

- 1) Rotiți maneta de fixare a lamei fără scule în sens invers acelor de ceasornic până la unghiul maxim și țineți-o.
- 2) Introduceți tija lamei în clema lamei prin garda lamei până când se oprește. Asigurați-vă că orificiul mic din lamă este pe piulița din clema.
- 3) Eliberați maneta de fixare a lamei fără scule. Maneta clemei va reveni automat la poziția inițială.
- 4) Trageți de lamă pentru a vă asigura că este blocată în loc. Pentru a scoate o lamă, urmați aceste instrucțiuni în ordine inversă.

**⚠ ATENȚIONARE: Dinții lamelor sunt foarte ascuțiți. Pentru rezultate optime de tăiere, utilizați o lamă potrivită materialului și calității de tăiere dorite.**

##### 2. REGLAREA PLATFORMEI (A SE VEDEA FIG. B)

Reglați poziția platformei în funcție de lungimea lamei și grosimea piesei de prelucrat; asigurați-vă întotdeauna că lama se extinde dincolo de piesa de prelucrat pe toată durata cursei.

##### - Reglarea unghiului platformei

Platforma pivotantă se înclină pentru a menține cât mai mult din suprafața sa în contact cu suprafața de lucru. Pentru a regla, țineți fierăstrăul ferm și pivotați platforma în poziția dorită.

##### 3. REGLAJUL ADÂNCIMII DE TĂIERE (VEZI FIGURA C1, C2)

Dacă aveți nevoie să reduceți capacitatea de

tăiere a sculei dvs. (adâncimea de tăiere), placa de bază pivotantă poate fi reglată în următorul mod:

- 1) Desfaceți maneta de reglare a plăcii de bază rotind-o în jos până sub partea inferioară a carcasei frontale.
- 2) Glisați placa de bază pivotantă înainte sau înapoi într-o poziție dorită.
- 3) Strângeți maneta de reglare a plăcii de bază rotind-o în sus în poziția originală. Verificați că placa de bază este ferm fixată.

#### ÎNAINTE DE PUNEREA ÎN FUNCȚIUNE

##### 1. MONTAREA HÂRTIEI ABRAZIVE CU SISTEM TIP CÂRLIG ȘI BUCLĂ (FĂRĂ BATERIE) (A SE VEDEA FIG. D1, D2)

Pentru a îndepărta pachetul de baterii, apăsați ferm butonul de eliberare a pachetului de baterii, apoi glisați pachetul de baterii din unelte. Pentru a instala pachetul de baterii, glisați pachetul de baterii complet încărcat pe unelte cu suficientă forță până când se fixează în poziție.

#### FUNCȚIONAREA

##### 1. OMUTATORUL DE pornire/OPRIRE DE SIGURANȚĂ (A SE VEDEA FIG. E)

Pentru a bloca comutatorul pornit/oprit, plasați butonul de blocare în poziția centrală. Acest lucru ajută la reducerea posibilității de pornire accidentală atunci când nu este în uz. Apăsați butonul de blocare spre stânga sau spre dreapta, apoi comutați comutatorul pornit/oprit și eliberați butonul de blocare. Comutatorul dvs. este acum pornit. Pentru a opri, eliberați doar comutatorul pornit/oprit.

**NOTĂ:** Lumina LED va ilumina automat zona de lucru atunci când produsul este pornit.



**ATENȚIONARE:** Nu priviți direct în lumina LED!

##### 2. CONTROLUL VITEZEI VARIABLE (A SE VEDEA FIG. F)

Comutatorul pornit/oprit este de asemenea un comutator de trageri cu viteză variabilă controlată. Frecvența cursei pistonului cuțitului poate fi ajustată de la minim la maxim prin presiunea pe care o aplicați pe comutatorul pornit/oprit. Aplicați mai multă presiune pentru a crește viteza și eliberați presiunea pentru a reduce viteza.



### 3. ZONE DE PRINDERE CU MÂNA (A SE VEDEA FIG. G)

Țineți întotdeauna fierăstrăul ferm cu ambele mâini atunci când lucrați.

### 4. TĂIERE ÎN PLONJON (A SE VEDEA FIG. H)



**ATENȚIONARE:** Procedura de tăiere în plonjon este potrivită doar pentru

prelucrarea materialelor moi precum lemnul, placajul sau similare! Nu lucrați cu materiale metalice moi folosind procedura de tăiere în plonjon!

Utilizați doar lame de ferăstrău scurte pentru tăierea în plonjon.

Așezați ferăstrăul cu marginea piciorului lamei pe piesa de lucru și porniți. Pentru scule electrice cu control de viteză a cursei, setați viteza maximă a cursei. Apăsăți ferăstrăul ferm împotriva piesei de lucru și permiteți lamei de ferăstrău să pătrundă lent în piesa de lucru.

Imediat ce piciorul lamei atinge complet suprafața piesei de lucru, continuați să tăiați de-a lungul liniei de tăiere dorite. Pentru anumite lucrări, lama de ferăstrău poate fi de asemenea întoarsă cu 180° și ferăstrăul sabie poate fi ghidat corespunzător într-un mod invers.

### 5. TĂIEREA LA NIVEL (A SE VEDEA FIG. I)



**ATENȚIONARE:** Fiți atenți ca lama de ferăstrău să depășească întotdeauna diametrul materialului prelucrat. Există pericol de ricoșeu.

Puteți realiza tăieturi extrem de aproape de pardoseli, pereți și alte zone dificile. Introduceți coada lamei în clema lamei cu dinții lamei orientați în sus (opus poziției normale de lucru). Acest lucru va determina tăieturi mai aproape de suprafața de lucru. Folosind lame flexibile speciale, introduceți lama în clema lamei cu dinții lamei orientați în jos (poziție normală de lucru). Aceasta va permite tăierea țevilor la nivel.

### 6. TĂIEREA LEMNULUI

Asigurați-vă întotdeauna că piesa de prelucrat este bine fixată pentru a preveni mișcarea. Pentru un control mai ușor, utilizați viteza redusă pentru a începe tăierea, apoi creșteți la viteza adecvată.

### 7. TĂIEREA METALULUI

Acest fierăstrău are capacități diferite de tăiere a Metalelor, în funcție de tipul lamei folosite și de metalul de tăiat.

Fixați întotdeauna piesa de prelucrat pentru a preveni alunecarea.

Folosiți o lamă mai fină pentru metalele feroase și o lamă grosieră pentru metalele neferoase.

La tăierea tablelor subțiri, prindeți întotdeauna un lemn pe ambele părți ale tablei. Acest lucru vă va oferi o tăietură curată fără vibrații excesive sau rupere a metalului.

Nu forțați lama de tăiere. Forțarea lamei va reduce durata de viață a lamei și va cauza ruperea sa.

**NOTĂ:** Vă recomandăm să distribuiți o peliculă subțire de ulei sau alt agent de răcire de-a lungul liniei de tăiere în fața fierăstrăului. Acest lucru va permite o utilizare mai ușoară și va contribui la prelungirea duratei de viață a lamei. Când tăiați aluminiu, utilizați kerosen.

### 8. TĂIEREA DE BUZUNARE (NUMAI MATERIALE MOI. NU PĂTRUNDEȚI ADÂNC ÎN METAL) (A SE VEDEA FIG. J)

Marcați buzunarul sau orificiul intern de decupat. Introduceți lama specială de tăiere cu dinții lamei orientați în jos și fixați bine. Înclinați fierăstrăul astfel încât marginea din spate a apărătorii lamei să se sprijine pe suprafața de lucru. Folosiți o viteză lentă la începerea tăierii pentru a evita ruperea lamei și creșteți la viteza dorită odată ce tăierea a început. Cu apărătoarea lamei sprijinită ferm de suprafața de lucru, începeți o oscilare lentă în sus, dar controlată, a fierăstrăului. Lama va tăia în și prin material. Asigurați-vă întotdeauna că lama a străpuns complet materialul înainte de a tăia restul buzunarului.

## FERĂSTRĂU CU MIȘCARE ALTERNATIVĂ

### SFATURI DE LUCRU PENTRU FERĂSTRĂȘUL DVS

Dacă fierăstrăul devine prea fierbinte, setați turația la maxim și rulați fără sarcină timp de 2-3 minute pentru răcirea motorului.

Asigurați-vă întotdeauna că piesa de prelucrat este ținută sau strânsă ferm pentru prevenirea deplasării.

Placa rotativă trebuie ținută ferm pe materialul care trebuie tăiat, pentru reducerea vibrației fierăstrăului, instabilității sau ruperii lamei.

### ÎNȚREȚINEREA

**Scoateți acumulatorul din unealtă înainte de a efectua orice ajustări, operațiuni de service sau întreținere.**

Unealta dumneavoastră nu necesită lubrifiere sau întreținere suplimentară. Interiorul unelei electrice nu conține piese care pot fi depanate de către utilizator. Nu utilizați niciodată apă sau agenți chimici de curățare pentru curățarea unelei electrice. Ștergeți unealta cu o cârpă uscată. Depozitați întotdeauna unealta într-un loc uscat. Mențineți fantele de aerisire a motorului curate. Feriți de praf toate comenzile de lucru. Ocazional, puteți observa scântei prin fantele de aerisire. Acest lucru este normal și nu va defecta unealta electrică.

### PROTECȚIA MEDIULUI



Produsele electrice nu trebuie depuse la deșeurile împreună cu gunoiul menajer. Vă rugăm să depuneți produsele electrice la unitățile de reciclare existente. Consultați-vă cu autoritățile locale sau cu distribuitorul pentru sfaturi privind reciclarea.

# EC Declarație de Conformitate



Noi : **HYUNDAI Corporation Holdings Europe**  
Am Kronberger Hang 2A, 65824, Schwalbach am Taunus  
Germany

Declarăm că produsul detaliat mai jos :  
**Ferăstrău cu mișcare alternativă**

**MODEL : RS20S-20**  
**FUNCȚIE : Tăierea unor diverse materiale**

Satisface cerințele directivelor Consiliului :  
2006/42/EC, 2011/65/EU & (EU)2015/863, 2014/30/EU

Corespunde standardelor :  
EN 62841-1, EN 62841-2-11,  
EN IEC 55014-1, EN IEC 55014-2,  
EN IEC 63000

**Persoana împuternicită să întocmească dosarul tehnic,**  
**Nume : Hyundae Kim**  
**Abordare : HYUNDAI Corporation Holdings Europe**  
**65824 Schwalbach am Taunus, Germany**

Director general

Jaiwon Hur


Manager de proiect

Sungwoo Hong

Data : 2024.09.25

## AKKUMULÁTOROS ORRFŰRÉS

# EREDETI HASZNÁLATI UTASÍTÁS TERMÉKBIZTONSÁG ELEKTROMOS KÉZISZERSZÁMOK BIZTONSÁGOS HASZNÁLATÁVAL KAPCSOLATOS ÁLTALÁNOS FIGYELMEZTETÉSEK

 **FIGYELEM!** Olvassa el az összes, ehhez az elektromos kéziszerszámmal szemmel kapcsolatos biztonsági figyelmeztetést, utasítást és részletes ismertetést, illetve tekintse meg az ábrákat. Az alább felsorolt utasítások bármelyikének figyelmen kívül hagyása áramütést, tüzet és/vagy súlyos testi sérüléseket eredményezhet.

Őrizzen meg minden figyelmeztetést és utasítást, a jövőben szüksége lehet ezekre. A figyelmeztetésekben használatos "elektromos kéziszerszám" kifejezés az ön hálózatról üzemeltetett (vezetékes) elektromos kéziszerszámára vagy akkumulátoros (vezeték nélküli) elektromos kéziszerszámára vonatkozik.

### 1. A MUNKATERÜLET BIZTONSÁGA

- a) **A munkaterületet tartsa tisztán és jól megvilágítva.** A zsúfolt vagy sötét munkaterület balesetveszélyhez vezethet.
- b) **Ne üzemeltessen elektromos kéziszerszámot robbanékony légkörben,** például gyúlékony folyadékok, gázok vagy por jelenléte mellett. Az elektromos kéziszerszámok használata során szikrák keletkeznek, amelyek hatására a por vagy gáz kigyulladhat.
- c) **Elektromos kéziszerszámok működtetése közben tartsa távol a gyermekeket és bábáskodókat.** A figyelem elterelése kontrollvesztést eredményezhet.

### 2. ELEKTROMOS BIZTONSÁG

- a) **Az elektromos kéziszerszámok dugójának illeszkednie kell a dugaljba.** Soha, semmilyen módon ne módosítsa a dugót.

Földelt elektromos kéziszerszámokkal ne használjon adaptert. *Ha nem módosított dugókat és megfelelő dugaljat használ, azzal csökkenti az áramütés kockázatát.*

- b) **Ne érintse meg a földelt felületeket,** például csöveket, radiátorokat, tűzhelyeket vagy hűtőszekrényeket. *Ha a test földelt, nagyobb az áramütés kockázata.*
- c) **Ne tegye ki esőnek vagy nedves körülményeknek az elektromos kéziszerszámokat.** *Ha egy elektromos kéziszerszámba víz kerül, megnő az áramütés kockázata.*
- d) **Vigyázzon a szerszám kábelére.** Soha ne hordozza, húzogassa vagy húzza ki az áramból az elektromos kéziszerszámot a kábelnél fogva. A kábelt tartsa távol a hőtől, olajtól, éles peremektől vagy mozgó részekről. *A sérült vagy összegubancolódott kábel növeli az áramütés kockázatát.*
- e) **Ha az elektromos kéziszerszámot szabadtérben üzemelteti, használjon külső használatra alkalmas hosszabbítót.** *A külső használatra alkalmas kábel használatával csökken az áramütés kockázata.*
- f) **Ha elkerülhetetlen, hogy az elektromos kéziszerszámot nedves helyen működtesse, használjon maradékáramműködtetésű megszakító (RCD) védelemmel rendelkező áramforrást.** *A maradékáram-működtetésű megszakító használatával csökkenti az áramütés kockázatát.*

### 3. SZEMÉLYI BIZTONSÁG

- a) **Az elektromos kéziszerszám működtetése közben maradjon éber, figyeljen arra, amit csinál, és használja a józan eszét.** Ne működtesse az elektromos kéziszerszámot, ha fáradt, illetve gyógyszerek, alkohol vagy drogok hatása alatt áll. *Egy pillanatnyi figyelmeletlenség az elektromos kéziszerszámok működtetése közben súlyos sérülésekhez vezethet.*
- b) **Használjon személyi védőfelszereléseket. Mindig használjon szemvédelmet.** *A személyi védőfelszerelés, például pormaszok, csúszásmentes biztonsági lábbeli, védősisak vagy szükség esetén hallásvédelem használatával csökkenthető a személyi sérülések kockázata.*

- c) Kerülje el, hogy a szerszám véletlenül működésbe lépjen. Mielőtt az elektromos kéziszerszámot áramhoz csatlakoztatná, behelyezné az akkumulátort, felvenné vagy vinné a szerszámot ellenőrizze, hogy a kapcsoló "ki" helyzetbe legyen állítva. Ha a szerszám hordozásakor ujját a kapcsolón tartja, vagy áram alá helyezi a bekapcsolt készüléket, az balesetekhez vezethet.
- d) Mielőtt az elektromos kéziszerszámot bekapcsolná, távolítsa el róla minden állítókulcsot. Ha az elektromos kéziszerszám forgórészein állítókulcs marad, az személyi sérüléshez vezethet.
- e) Ne próbáljon túl messzire nyúlni. Mindig vigyázzon, hogy stabilan álljon, és őrizze meg egyensúlyát. Ez segít, hogy váratlan helyzetekben uralja az elektromos kéziszerszámot.
- f) Viseljen megfelelő öltözkéket. Ne viseljen bő ruházatot vagy hosszú ékszert. Haját, ruházatát és kesztyűjét tartsa a mozgó alkatrészekről távol. A bő ruházatot, hosszú ékszert vagy hosszú hajat bekaphatják a mozgó elemek.
- g) Ha a szerszámhoz porszívó vagy -gyűjtő is csatlakoztatható, gondoskodjon ezek megfelelő csatlakoztatásáról és használatáról. A porgyűjtő használatával csökkenthetőek a porral kapcsolatos kockázatok.
- h) Ne hagyja, hogy a szerszám gyakori használata túl elbizakodottá tegye, és hogy ezáltal figyelmen kívül hagyja a szerszám biztonsági követelményeit. A másodperc töredéke is elég ahhoz, hogy egy figyelmetlen mozdulat súlyos sérüléshez vezessen.
- 4. AZ ELEKTROMOS KÉZISZERSZÁM HASZNÁLATA ÉS KARBANTARTÁSA**
- a) Ne erőltesse az elektromos kéziszerszámot. Mindig megfelelő elektromos kéziszerszámot használjon. Ha a megfelelő elektromos kéziszerszámot használja, azzal a rendeltetési területén jobban és biztonságosabban elvégezhető a munka.
- b) Ne használja az elektromos kéziszerszámot, ha azt nem lehet kikapcsolni. Ha egy elektromos kéziszerszám nem szabályozható a kapcsolóval, az veszélyes, és javításra szorul.
- c) Mielőtt a szerszámot beállítaná, tartozékok cserélőne, illetve tároláskor húzza ki a dugót az áramforrásból, és/ vagy vegye ki az akkumulátort az elektromos kéziszerszámból. Ezekkel a megelőző biztonsági intézkedésekkel csökken annak a kockázata, hogy a kéziszerszám véletlenül bekapcsoljon.
- d) Az elektromos kéziszerszámokat használaton kívül tartsa a gyermekektől távol, és ne hagyja, hogy a szerszámot vagy ezeket az utasításokat nem ismerő személyek működtessék azt. A tapasztalatlan felhasználók kezében az elektromos kéziszerszámok veszélyessé válnak.
- e) Tartsa karban az elektromos kéziszerszámokat. Ellenőrizze, hogy a mozgó elemek megfelelően helyezkednek-e el és nem szorultak-e be, az alkatrészek épek, és semmilyen más hiba nincs kihatással az elektromos kéziszerszám működésére. Ha sérülést talál, használat előtt javíttassa meg a szerszámot. A nem megfelelően karbantartott elektromos kéziszerszámok sok balesetet okoznak.
- f) A vágószerszámokat tartsa tisztán, és figyeljen, hogy élesek maradjanak. A megfelelően karbantartott, éles vágószerszámok ritkábban akadnak meg, és egyszerűbben irányíthatóak.
- g) Az elektromos kéziszerszámot, a kiegészítőket és fejelet használja a fenti utasításoknak megfelelően, figyelembe véve a munkakörülményeket és az elvégzendő munkát. Ha az elektromos kéziszerszámot nem rendeltetészerűen használja, az veszélyhelyzetet teremthet.
- h) Őrizze szárazon, tisztán, olaj- és zsírinteszen a szerszám fogantyúit és megragadási részeit. A csúszos fogantyúk és megragadási részek főleg váratlan helyzetekben akadályozzák a szerszám biztonságos megfogását, kezelését és irányítását.
- 5. AZ AKKUMULÁTOROS KÉZISZERSZÁM HASZNÁLATA ÉS KARBANTARTÁSA**
- a) Csak a gyártó által javasolt töltővel tölts fel. Ha egy adott akkumulátorhoz megfelelő töltőt másik akkumulátorral használ, az tűzveszélyes lehet.

## AKKUMULÁTOROS ORRFŰRÉSZ

- b) Az elektromos kéziszerszámokat csak a kijelölt akkumulátorokkal használja. Ha más akkumulátorokat használ, az sérülés- és tűzveszélyes.
- c) Az akkumulátorokat használaton kívül tartsa a fémtárgyaktól, például gémkapcsoktól, pénzérméktől, kulcsoktól, szögektől, csavaroktól vagy más kis fémtárgyaktól távol, mert ezek összekapcsolhatják a pólusokat. Az akkumulátor pólusainak rövidzárata égés- és tűzveszélyes.
- d) Nem megfelelő körülmények között az akkumulátorból folyadék szivároghat; kerülje az érintkezést ezzel a folyadékkal. Véletlen érintkezés esetén mossa le a vízzel. Ha a folyadék szembe kerül, mossa ki vízzel, és forduljon orvoshoz. Az akkumulátorból szivárgó folyadék irritációt vagy égési sérülést okozhat.
- e) Ne használjon károsodott vagy módosított akkucsomagot vagy szerszámot. A károsodott vagy módosított akkucsomagok használata előreláthatatlan következményekkel jár, mert ezek felgyulladhatnak, felrobbanhatnak vagy személyi sérüléseket okozhatnak.
- f) Óvja az akkucsomagot és a szerszámot a tűztől vagy a magas hőmérsékletektől. A 130°C-t meghaladó hőmérséklet vagy tűz robbanást okozhat.
- g) Tartsa be az összes újratöltési utasítást és az akkucsomagot vagy a szerszámot csak az utasításokban megadott hőmérsékleti tartományban töltsse újra. Az előírásoktól vagy a megengedett hőmérsékleti tartománytól eltérő töltési folyamat az akkucsomag károsodását okozhatja, és növeli a tűzveszély kockázatát.

### 6. SZERVIZ

- a) Az elektromos kéziszerszámot csak képzett szerelő javíthatja megfelelő cserealkatrészekkel. Ez biztosítja az elektromos kéziszerszám biztonságos működését.
- b) Soha ne szervizelje a károsodott akkucsomagokat. A károsodott akkucsomagok szervizelését csak a gyártó vagy az erre felhatalmazott szervizközpontok hajthatják végre.

## AZ ORRFŰRÉSSZEL KAPCSOLATOS BIZTONSÁGI FIGYELMEZTETÉSEK

- Az elektromos kéziszerszámot csak a szigetelt fogantyúfelületeknél fogva tartsa, ha olyan munkát végez, amelynek során a betétszerszám feszültség alatt álló, kívülről nem látható vezetékhez, vagy a készülék saját hálózati csatlakozó kábeljéhez érhet. Ha a berendezés egy feszültség alatt álló vezetékhez ér, az elektromos kéziszerszám fémrészei szintén feszültség alá kerülnek és áramütéshez vezetnek.
- Használjon befogó pófákat vagy egyéb gyakorlati megoldásokat a munkadarab stabil platformhoz való rögzítése és megtámasztása érdekében. A munkadarab kézzel való rögzítése vagy a kezelő testéhez való hozzányomása instabil megoldást jelent, és a munkadarab feletti ellenőrzés elvesztését okozhatja.

## SZIMBÓLUMOK



A sérülésveszély csökkentése érdekében a felhasználónak el kell olvasnia az utasításokat



Figyelmeztetés



Viseljen fülvédőt



Viseljen szemvédőt



Viseljen pormaszkot



A leselejtezett elektromos készülékek nem dobtatók ki a háztartási hulladékkal. Ha van a közelben elektromos hulladék gyűjtő udvar, vigye oda a készüléket. Az újrahasznosítási lehetőségekről tájékozódjon a helyi hatóságoknál vagy a kereskedőnél.

## ALKATRÉSZZLISTA

1. FŰRÉSZLAP
2. FORGÓ TALPLEMEZ
3. FŰRÉSZLAP GYORSBEFOGÓ
4. KI/BE KAPCSOLÓ GOMB
5. ZÁRÓ GOMB
6. AKKUMULÁTOR *
7. AKKUMULÁTOR KIOLDÓ GOMB *
8. TALPLEMEZ BEÁLLÍTÓ KAR

\* Az alapkivitelnek nem része az illusztrációkon vagy leírásban szereplő mindegyik tartozék.

## MŰSZAKI ADATOK

Típus RS20S-20 (20S-20-a gép megnevezése, akkumulátoros kardfűrész típus)

Névleges feszültség	18V $\overline{=}$ (20V Max.)	
Üresjárat fordulatszám	0-3000 ford./perc	
Lökethossz	20mm	
Vágási mélység	Fa	100mm
	Acél	10mm
Gép súlya (akkumulátor nélkül)	1.73kg	

## KOMPATIBILIS AKKUMULÁTOROK

Modellszám	BI20-2	BI20-4
Akkumulátor teljesítmény	2.0Ah	4.0Ah
	Nem tartalmazza	Ajánlott (nem tartalmazza)

## KOMPATIBILIS AKKUMULÁTOR TÖLTŐK

Modellszám	C20-2	C20-4
Töltő bemenet	100-240V~50/60Hz, 55W	100-240V~50/60Hz, 95W
Töltő kimenet	20V $\overline{=}$ 2.0A	20V $\overline{=}$ 4.0A
Töltési idő (kb.)	1 óra (2.0 Ah) 2 óra (4.0 Ah)	30 perc (2.0 Ah) 60 perc (4.0 Ah)
A töltő védelmi osztálya	$\square$ /II	$\square$ /II
	Nem tartalmazza	Nem tartalmazza

## ZAJVÉDELMI TÁJÉKOZTATÁS

A-súlyozású hangnyomásszint	$L_{pA}$ : 84dB (A)
A-súlyozású hangerő	$L_{WA}$ : 92dB (A)
$K_{pA}$ & $K_{WA}$	5dB (A)
<b>Viseljen fülvédőt.</b>	

## AKKUMULÁTOROS ORRFŰRÉS

### REZGÉSÉRTÉKEK

Az EN62841 szabvány szerint meghatározott összes rezgés (háromtengelyű vektoriálisösszeg) a következő:	
Falap vágása	Rezgéskibocsátás: $a_{h,B} = 16,7\text{m/s}^2$
	Bizonytalanság $K = 1,5\text{m/s}^2$
Fagerenda vágása	Rezgéskibocsátás: $a_{h,WB} = 18,6\text{m/s}^2$
	Bizonytalanság $K = 1,5\text{m/s}^2$

A vibráció és a zaj bejelentett összértékét szabványos mérési módszerrel állapították meg, és ezeket az értékeket két szerszám összehasonlításához is fel lehet használni.

A vibráció és a zaj bejelentett összértékeit a rezgéseknek és zajátlomnak való kitétség előzetes felbecsléséhez is fel lehet használni.

**FIGYELEM!** A kéziszerszám aktuális használatakor mérhető vibráció és zajkibocsátási értékek eltérhetnek a bejelentett értékektől, mert nagyban függnek a szerszám használati módjától és a megmunkált alkatrész típusától. Íme néhány példa és eltérő érték a szerszám használatától függően:

Hogyan használják a szerszámot, milyen anyagokat vágnak vagy fúrnak.

Az eszköz jó állapotban van-e, megfelelően karbantartják-e.

Megfelelő tartozékokat használnak-e az eszközhöz, vigyáznak-e, hogy éles legyen, és jó állapotban maradjon.

A fogantyú megragadásának erősségétől és az esetleg használt vibrációs- és zajcsökkentő tartozék típusától.

A szerszámot rendeltetésszerűen, kialakításának és a jelen utasításoknak megfelelően használják-e.

**Ha a szerszámot nem kezelik megfelelően, kéz-kar vibrációs szindrómát okozhat.**

**FIGYELEM!** A pontosság érdekében az expozíciós szint becslött értékéhez a valós használati körülmények között figyelembe kell venni a működési ciklus valamennyi elemét, így azt az időt is, amikor a szerszám ki van kapcsolva, és amikor üresjáratban működik. Ez a teljes munkaidőszak viszonylatában jelentősen csökkentheti az expozíciós szintet.

A vibrációnak és zajnak való kitétség kockázatának csökkentése.

**MINDIG** éles vésőt, pengét, és hegyes fúrófejet használjon.

Az eszközt jelen utasításoknak megfelelően tartsa karban, és vigyázzon a megfelelő kenésre (ahol erre szükség van).

Ha a szerszám rendszeres használatát tervezik, akkor megéri a vibráció- és zajcsökkentő tartozékok beszerzése.

Úgy tervezze meg a munkáját, hogy a magas rezgésszámú eszközök használatát igénylő

### TARTOZÉKOK

Fűrészlap fához	1
Fűrészlap fémhez	1

Javasoljuk, hogy a tartozékokat ugyanabból a boltból vásárolja meg, ahol a szerszámot is vásárolta. További részleteket a tartozék csomagolásán talál. Kérjen segítséget és tanácsot a bolti eladóktól.



## HASZNÁLATI UTASÍTÁSOK



**MEGJEGYZÉS:** A szerszám használata előtt olvassa el figyelmesen a használati útmutatót.

### RENDELTETTÉSSZERŰ HASZNÁLAT

A szerszámgépet fa, műanyag, fém és építőanyagok fűrészelésére tervezték, miközben a gép stabilan a munkadarabon helyezkedik el. Alkalmas egyenes és íves vágásokhoz.

### ÖSSZEÁLLÍTÁS

#### 1. SZERSZÁMMENTES PENGE FELSZERELÉS ÉS ELTÁVOLÍTÁS (LÁSD A1, A2 ÁBRÁT)

- 1) Fordítsa el az óramutató járásával ellentétes irányba a szerszámmentes pengefogó kart a maximális szögig, majd tartsa meg.
- 2) Helyezze be a penge nyelét a pengefogóba a pengevédőn keresztül, amíg meg nem áll. Győződjön meg arról, hogy a penge kis lyuka a fogaskeréken van.
- 3) Engedje el a szerszámmentes pengefogó kart. A fogaskerék fogantyú automatikusan visszaáll az eredeti pozícióba.
- 4) Húzza fel a pengét, hogy biztosítsa annak rögzítését. A penge eltávolításához végezze el ezeket az utasításokat fordított sorrendben.



**FIGYELEM:** A fűrészlap fogai nagyon élesek. A legjobb vágási eredmények érdekében ügyeljen arra, hogy a kívánt anyagnak és vágási minőségnek megfelelő fűrészlapot használjon.

#### 2. A TALPLEMEZ BEÁLLÍTÁSA (LÁSD B ÁBRÁT)

Állítsa be a talplemez helyzetét a fűrészlap hosszának és a munkadarab vastagságának megfelelően; mindig ügyeljen arra, hogy a fűrészlap a teljes löket alatt túlnyúljon a munkadarabon.

#### - A talplemez szögének beállítása

A forgatható talplemez úgy dönthető, hogy a felületének minél nagyobb része érintkezzen

a munkafelülettel. A beállításhoz tartsa erősen a fűrész, és fordítsa a talplemezt a kívánt pozícióba.

#### 3. VÁGÁSMÉLYSÉG BEÁLLÍTÁSA (LÁSD C1, C2 ÁBRÁT)

Ha csökkenteni szeretné a szerszám vágási kapacitását (vágásmélységét), a csuklós láb lemez az alábbiak szerint állítható be:

- 1) Lazítsa meg a láblemez beállító karját az előlapon a felfelé fordításával.
- 2) Tolja előre vagy hátra a csuklós láblemezt a kívánt pozícióba.
- 3) Húzza meg a láblemez beállító karját az eredeti pozícióba való felfordításával. Ellenőrizze, hogy a láblemez szorosan záródik-e.

### ÜZEMBE HELYEZÉS ELŐTT

#### 1. A KAMPÓZS ÉS HUROKKAL ELLÁTOTT CSISZOLÓPAPÍR FELSZERELÉSE (NEM TARTALMAZZA) (LÁSD D1, D2 ÁBRÁT)

Akkumulátor csomag eltávolításához először erőteljesen nyomja le az akkumulátor csomag kioldó gombját, majd csúsztassa ki az akkumulátor csomagot a gépből. Az akkumulátor csomag telepítéséhez csúsztassa fel a teljesen feltöltött akkumulátor csomagot a gépre megfelelő erővel, amíg kattantást nem hall.

### FUNCIÓNAREA

#### 1. BIZTONSÁGI FŐKAPCSOLÓ (LÁSD E ÁBRÁT)

A be-/kikapcsoló kapcsoló zárolásához helyezze a zárológombot középső helyzetbe. Ez segít csökkenteni a véletlen bekapcsolás lehetőségét, amikor nem használják. Nyomja le a zárológombot balra vagy jobbra, majd a be-/kikapcsoló kapcsolót, majd engedje fel a zárológombot. A kapcsoló most be van kapcsolva. A kikapcsoláshoz egyszerűen engedje el a be-/kikapcsoló kapcsolót.

**MEGJEGYZÉS:** Az LED világítás automatikusan világítani fog a munkaterületen, amikor a terméket bekapcsolják.



**FIGYELEM:** Ne nézzen közvetlenül az LED fénybe!

## AKKUMULÁTOROS ORRFŰRÉS

### 2. VÁLTOZTATHATÓ SEBESSÉGVÉZÉRLÉS (LÁSD F ÁBRÁT)

A be-/kikapcsoló kapcsoló egyben egy változtatható sebességű vezérlőkapcsoló is. A penge dugattyú lökesszáma a bekapcsoló kapcsolóra gyakorolt nyomással állítható be minimumtól maximumig. Több nyomást alkalmazzon a sebesség növeléséhez, és engedje el a nyomást a sebesség csökkentéséhez.

### 3. KÉZI MARKOLAT TERÜLETEI (LÁSD G ÁBRÁT)

A fűrész működésközben mindig tartsa erősen, mindkét kezével.

### 4. MERÜLŐVÁGÁS (LÁSD H ÁBRÁT)

**FIGYELEM:** A merülővágás eljárása csak puha anyagok kezelésére alkalmas, mint például fa, gipszkarton vagy hasonló! Ne dolgozzon puha fém anyagokkal merülővágás módszerével!

Csak rövid fűrészláncokat használjon merülővágáshoz.

Helyezze a fűrész penge szélét a munkadarabra, majd kapcsolja be. A lökesszabályozással rendelkező elektromos szerszámok esetén állítsa be a maximális lökesszámot. Nyomja meg a fűrész szilárdan a munkadarabra, és engedje, hogy a fűrészlap lassan belemerüljön a munkadarabba.

Amint a penge talpa teljesen a munkadarab felszínére fekszik, folytassa a vágást a kívánt vágóvonal mentén. Bizonyos munkákhoz a fűrészláncot 180°-kal fordítva is behelyezheti, és a szabványos szabályfűrésznek megfelelően irányíthatja visszafelé.

### 5. SÜLLYESZTŐ VÁGÁS (LÁSD H ÁBRÁT)

**FIGYELEM:** Figyeljen arra, hogy a fűrészlap mindig túlnyúljon a munkátartott anyag átmérőjén. Visszacsapás veszélye áll fenn. Lehetőség van padlóhoz, falhoz és más nehéz területekhez rendkívül közeli vágások elvégzésére.

A fűrészlap szárát a fűrészlap fogaival felfelé (a normál munkapozícióval ellentétes) helyezze be a fűrészlap-befogóba. Így a vágások a munkafelülethez közelebb lesznek. Speciális hajlékony fűrészlapok

használatával a fűrészlapot a fogaival lefelé néző fűrészlappal helyezze be a fűrészlap-befogóba (normál munkapozíció). Ez lehetővé teszi a csővel síkban történő vágást.

### 6. FAVÁGÁS

Mindig ügyeljen arra, hogy a munkadarabot erősen rögzítse, hogy megakadályozza az elmozdulást.

A könnyebb irányíthatóság érdekében a vágás megkezdéséhez alacsony fordulatszámot használjon, majd növelje a megfelelő fordulatszámra.

### 7. FÉMVÁGÁS

Ez a fűrész különböző fémvágási kapacitással rendelkezik a használt fűrészlap típusától és a vágott fémtől függően.

Mindig szorítsa le a munkadarabot, hogy megakadályozza a csúszást.

A vasfémekhez finomabb fűrészlapot, a színesfémekhez pedig durva fogazású fűrészlapot használjon.

Vékony félemelek vágásakor mindig szorítson fát a lemez mindkét oldalán. Ez tiszta vágást biztosít a fém túlzott rezgése vagy repedése nélkül.

Ne erőltesse a fűrészlapot. A fűrészlap erőltetése csökkenti a fűrészlap élettartamát és a fűrészlap törését okozza.

**MEGJEGYZÉS:** Javasoljuk, hogy a fűrész előtt a vágási vonal mentén vékonyan kenje be olajjal vagy más hűtőfolyadékkal.

Ez könnyebb működést tesz lehetővé, és segít meghosszabbítani a fűrészlap élettartamát. Alumínium vágásakor használjon kerozint.

### 8. MÉLYEDÉSVÁGÁS (CSAK PUHA ANYAGOK ESETÉN. NE VÁGJON FÉMFELÜLETEKBE) (LÁSD J ÁBRÁT)

Jelölje meg a kivágandó mélyedést vagy belső furatot. Helyezze be a speciális vágópengét úgy, hogy a fűrészlap fogai lefelé nézzenek, és szorítsa be biztonságosan. Döntse a fűrész úgy, hogy a fűrészlapvédő hátsó éle a munkafelületen nyugodjon. A vágás megkezdéséhez lassú fordulatszámot használjon, hogy elkerülje a fűrészlap törését, de a vágás megkezdése után növelje a megfelelő fordulatszámot. A fűrészlap

védőburkolatát erősen a munkafelülethez szorítva kezdje el a fűrész lassú, de ellenőrzött felfelé irányuló lendítését. A fűrészlap bele fog vágni az anyagba és át fog rajta hatolni. Mindig ellenőrizze, hogy a fűrészlap teljesen áthaladt-e az anyagon, mielőtt a hátralévő részeket levágná.

## MŰKÖDÉSI TANÁCSOK AZ OLDALÚ FŰRÉSZHEZ

Amennyiben a szerszám túlságosan felmelegedik, állítsa maximális sebességre, és járassa terhelés nélkül 2-3 percig a motor lehűlése érdekében.

Az elmozdulás megelőzése érdekében mindig ellenőrizze, hogy a munkadarab szilárdan rögzítve legyen.

A fűrészlapvédőt mindig stabilan rá kell szorítani a vágott anyagra, így csökken a rezgés, illetve a fűrészlap kiugrásának vagy törésének veszélye.

## KARBANTARTÁS

**Bármilyen állítás, javítás vagy karbantartási művelet előtt vegye ki a szerszámból az akkumulátort.**

Az elektromos kéziszerszámot nem szükséges megkenni vagy karbantartani.

A szerszám nem tartalmaz a felhasználó által javítható alkatrészeket. Soha ne használjon vizet vagy vegyi tisztítószereket a szerszám tisztításához. Törölje tisztára egy száraz ronggyal. A szerszámot mindig száraz helyen tárolja. Tartsa tisztán a motor szellőzőnyílásait. Minden szabályozóeszközt tartson pormentesen. A szellőzőnyílásokon keresztül néha szikrák láthatók. Ez természetes, nem okoz kárt az elektromos kéziszerszámban.

## KÖRNYEZETVÉDELEM



A leselejtezett elektromos készülékek nem dobhatók ki a háztartási hulladékkal. Ha van a közelben elektromos hulladék gyűjtő udvar, vigye oda a készüléket. Az újrahasznosítási lehetőségekről tájékozódjon a helyi hatóságoknál vagy a kereskedőnél.

## AKKUMULÁTOROS ORRFÚRÉS

# EC Megfelelőségi nyilatkozat



Mi : HYUNDAI Corporation Holdings Europe  
Am Kronberger Hang 2A, 65824, Schwalbach am Taunus  
Germany

Kijelentjük, hogy az alábbi részletezett termék:

**Akkumulátoros orrfúrész**

MODELL: RS20S-20

FUNKCIÓ: Különböző anyagok vágása, fúrészélése

Megfelel a Tanács irányelveinek követelményeinek :  
2006/42/EC, 2011/65/EU & (EU)2015/863, 2014/30/EU

A szabványok megfelelnek az :  
EN 62841-1, EN 62841-2-11,  
EN IEC 55014-1, EN IEC 55014-2,  
EN IEC 63000

A műszaki dokumentáció összeállítására jogosult személy,  
Név : Hyundae Kim  
Cím : HYUNDAI Corporation Holdings Europe  
65824 Schwalbach am Taunus, Germany

Ügyvezető igazgató

Jaiwon Hur

Projektmenedzser

Sungwoo Hong

Dátum : 2024.09.25

# HƯỚNG DẪN AN TOÀN SẢN PHẨM

## HƯỚNG DẪN VỀ AN TOÀN SẢN PHẨM

### CẢNH BÁO CHUNG VỀ AN TOÀN DỤNG CỤ ĐIỆN



**CẢNH BÁO!** Đọc tất cả các cảnh báo, hướng dẫn, hình ảnh minh họa và thông số kỹ thuật được cung cấp kèm theo dụng cụ điện này. Việc không tuân theo tất cả các hướng dẫn được liệt kê dưới đây có thể dẫn đến điện giật, hỏa hoạn và/hoặc thương tích nghiêm trọng.

Lưu ý tất cả các cảnh báo và hướng dẫn để tham khảo trong tương lai.

Thuật ngữ "dụng cụ điện" trong các cảnh báo đề cập đến dụng cụ điện chạy bằng nguồn điện (có dây) hoặc dụng cụ điện chạy bằng pin (không dây).

#### 1. AN TOÀN KHU VỰC LÀM VIỆC

- Giữ khu vực làm việc sạch sẽ và đủ ánh sáng. Những khu vực bừa bộn hoặc tối tăm dễ gây tai nạn.
- Không vận hành dụng cụ điện trong môi trường dễ cháy nổ, chẳng hạn như nơi có chất lỏng, khí hoặc bụi dễ cháy. Dụng cụ điện tạo ra tia lửa điện có thể đốt cháy bụi hoặc khói.
- Giữ trẻ em và những người xung quanh tránh xa khi vận hành dụng cụ điện. Sự xao lãng có thể khiến bạn mất kiểm soát.

#### 2. AN TOÀN ĐIỆN

- Phích cắm của dụng cụ điện phải khớp với ổ cắm. Không bao giờ sửa đổi phích cắm theo bất kỳ cách nào. Không sử dụng bất kỳ phích cắm chuyển đổi nào với dụng cụ điện được nối đất (nối đất). Phích cắm nguyên bản và ổ cắm phù hợp sẽ giảm nguy cơ bị điện giật.
- Tránh tiếp xúc cơ thể với dây hoặc các bề mặt được nối đất, chẳng hạn như đường ống, bộ tản nhiệt, bếp nấu và tủ lạnh. Nguy cơ bị điện giật sẽ tăng lên nếu cơ thể bạn được nối đất hoặc tiếp đất.
- Không để dụng cụ điện tiếp xúc với mưa

hoặc điều kiện ẩm ướt. Nước lọt vào dụng cụ điện sẽ làm tăng nguy cơ bị điện giật.

- Không được sử dụng dây điện để mang, kéo hoặc rút phích cắm dụng cụ điện. Giữ dây xa nguồn nhiệt, dầu máy, vật sắc nhọn sắc hoặc các bộ phận chuyển động. Dây bị hư hỏng hoặc vướng víu làm tăng nguy cơ bị điện giật.
- Khi vận hành dụng cụ điện ngoài trời, hãy sử dụng dây điện nối dài phù hợp để sử dụng ngoài trời. Sử dụng dây phù hợp để sử dụng ngoài trời sẽ giảm nguy cơ bị điện giật.
- Nếu bắt buộc phải vận hành dụng cụ điện ở nơi ẩm ướt, hãy sử dụng nguồn điện được bảo vệ bằng thiết bị chống dòng rò (RCD). Sử dụng RCD giúp giảm nguy cơ bị điện giật.

#### 3. AN TOÀN CÁ NHÂN

- Hãy cảnh giác, quan sát và phán đoán những gì bạn đang làm khi vận hành dụng cụ điện. Không sử dụng dụng cụ điện khi bạn đang mệt mỏi hoặc đang chịu ảnh hưởng của ma túy, rượu hoặc dược phẩm. Một khoảnh khắc mất tập trung trong khi vận hành dụng cụ điện có thể dẫn đến thương tích cá nhân nghiêm trọng.
- Sử dụng thiết bị bảo hộ cá nhân. Luôn đeo kính bảo vệ mắt. Thiết bị bảo hộ như mặt nạ chống bụi, giày an toàn chống trượt, mũ cứng hoặc thiết bị bảo vệ thính giác được sử dụng trong điều kiện thích hợp sẽ giảm thương tích cá nhân.
- Phòng ngừa việc vô tình khởi động máy. Đảm bảo công tắc ở vị trí tắt trước khi kết nối với nguồn điện và/hoặc bộ pin, khi nhắc hoặc mang dụng cụ. Mang các dụng cụ điện với ngón tay của bạn trên công tắc hoặc cung cấp năng lượng cho các dụng cụ điện có công tắc đang ở trạng thái ON sẽ gây ra tai nạn.
- Tháo mọi khóa điều chỉnh hoặc cờ lê trước khi bật dụng cụ điện. Cờ lê hoặc chìa khóa còn gắn vào bộ phận quay của dụng cụ điện có thể gây thương tích cá nhân.
- Hãy giữ thăng bằng. Giữ chỗ đứng thích hợp và lúc nào cũng cân bằng. Điều này cho phép kiểm soát dụng cụ điện tốt hơn trong những tình huống không mong muốn.
- Ăn mặc đúng cách. Không mặc quần áo

## MÁY CỬA KIỂM DÙNG PIN

rộng thùng thỉnh hoặc đeo đồ trang sức .

Giữ tóc và quần áo của bạn tránh xa các bộ phận chuyển động. Quần áo rộng, đồ trang sức hoặc tóc dài có thể bị vướng vào các bộ phận chuyển động.

- g) Nếu các thiết bị được cung cấp để gắn các bộ phận hút và thu gom bụi, hãy đảm bảo các thiết bị này được gắn và sử dụng đúng cách. Sử dụng bộ phận thu gom bụi sẽ giảm bớt các nguy hiểm liên quan đến bụi.
- h) Đừng để sự quen thuộc có được từ việc thường xuyên việc sử dụng các dụng cụ cho phép bạn trở nên tự mãn và bỏ qua các nguyên tắc an toàn của dụng cụ. Một hành động bất cẩn có thể gây thương tích nghiêm trọng trong vòng chưa đầy một giây.

### 4. SỬ DỤNG VÀ BẢO QUẢN DỤNG CỤ ĐIỆN

- a) Không sử dụng quá tải dụng cụ điện. Hãy chọn đúng dụng cụ để sử dụng cho ứng dụng của bạn. Dụng cụ điện phù hợp sẽ thực hiện công việc tốt hơn và an toàn hơn theo đúng công năng được thiết kế.
- b) Không sử dụng dụng cụ điện nếu công tắc không bật và tắt được. Bất kỳ dụng cụ điện nào không thể điều khiển được bằng công tắc đều nguy hiểm và phải được sửa chữa.
- c) Ngắt kết nối phích cắm khỏi nguồn điện nguồn và/hoặc tháo bộ pin (nếu có thể tháo rời) khỏi dụng cụ điện trước khi thực hiện bất kỳ điều chỉnh, thay đổi nào, hoặc cất giữ dụng cụ điện. Những hành động phòng ngừa này làm giảm nguy cơ vô tình khởi động dụng cụ điện.
- d) Cất giữ các dụng cụ điện không sử dụng ngoài tầm với của trẻ em và không cho phép những người không quen với dụng cụ điện hoặc những hướng dẫn này vận hành dụng cụ điện. Dụng cụ điện rất nguy hiểm khi nằm trong tay người sử dụng chưa qua đào tạo.
- e) Bảo trì các dụng cụ điện và phụ kiện. Kiểm tra xem các bộ phận chuyển động có bị lệch hoặc bị kẹt, các bộ phận có bị gãy hay không và bất kỳ tình trạng nào khác có thể ảnh hưởng đến hoạt động của dụng cụ điện. Nếu bị hư hỏng, hãy sửa chữa dụng cụ điện trước khi sử dụng. Nhiều vụ tai nạn xảy ra do dụng cụ điện được bảo trì kém.

- f) Giữ dụng cụ cắt luôn sắc bén và sạch sẽ. Các dụng cụ cắt được bảo trì đúng cách với các cạnh cắt sắc bén sẽ ít bị kẹt hơn và dễ kiểm soát hơn.
- g) Sử dụng dụng cụ điện, phụ kiện và mũi khoan, v.v. theo các hướng dẫn này, có tính đến các điều kiện làm việc và công việc sẽ được thực hiện. Việc sử dụng dụng cụ điện cho những hoạt động khác với dự định có thể dẫn đến tình huống nguy hiểm.
- h) Giữ tay cầm và bề mặt cầm nắm khô ráo, sạch sẽ và không dính dầu mỡ. Tay cầm và bề mặt cầm trơn trượt không cho phép xử lý và điều khiển dụng cụ một cách an toàn trong các tình huống bất ngờ.

### 5. SỬ DỤNG VÀ BẢO QUẢN DỤNG CỤ DÙNG PIN

- a) Chỉ sạc lại bằng bộ sạc do nhà sản xuất chỉ định. Bộ sạc phù hợp với một loại pin này có thể gây nguy cơ cháy nổ khi sử dụng với một loại pin khác.
- b) Chỉ sử dụng dụng cụ điện với bộ pin được chỉ định cụ thể. Việc sử dụng bất kỳ bộ pin nào khác có thể gây ra nguy cơ chấn thương và hỏa hoạn.
- c) Khi không sử dụng bộ pin, hãy để pin cách xa các vật kim loại mà có thể tạo kết nối từ cực này sang cực khác như kẹp giấy, đồng xu, chìa khóa, đinh, ốc vít hoặc các vật kim loại nhỏ khác. Việc chập mạch các cực của pin với nhau có thể gây bùng hoặc cháy.
- d) Trong điều kiện khắc nghiệt, chất lỏng có thể bắn ra khỏi pin; tránh tiếp xúc. Nếu vô tình xảy ra tiếp xúc, hãy xả bằng nước. Nếu chất lỏng tiếp xúc với mắt, hãy tìm kiếm sự trợ giúp y tế. Chất lỏng bắn ra từ pin có thể gây kích ứng hoặc bỏng.
- e) Không sử dụng bộ pin hoặc dụng cụ bị hư hỏng hoặc bị sửa đổi. Pin bị hư hỏng hoặc bị sửa đổi có thể có biểu hiện hoạt động không thể đoán trước dẫn đến cháy, nổ hoặc có nguy cơ gây thương tích.
- f) Không để bộ pin hoặc dụng cụ tiếp xúc với lửa hoặc nhiệt độ quá cao. Tiếp xúc với lửa hoặc nhiệt độ trên 130°C có thể gây nổ.
- g) Thực hiện theo tất cả các hướng dẫn sạc, không sạc bộ pin hoặc dụng cụ ngoài phạm vi nhiệt độ được chỉ định trong hướng dẫn.

Sạc không đúng cách hoặc sạc ở nhiệt độ ngoài phạm vi quy định có thể làm hỏng pin và tăng nguy cơ cháy nổ.

## 6. DỊCH VỤ

- a) **Hãy để người sửa chữa có trình độ chuyên môn bảo trì dụng cụ điện của bạn và chỉ sử dụng các phụ tùng giống hệt nhau để thay thế.** Điều này sẽ đảm bảo rằng sự an toàn của dụng cụ điện được duy trì.
- b) **Không được sửa chữa bộ pin bị hỏng.** Việc sửa chữa bộ pin chỉ được thực hiện bởi nhà sản xuất hoặc nhà cung cấp dịch vụ được ủy quyền.

## CẢNH BÁO AN TOÀN MÁY CỬA KIỂM

- Cầm dụng cụ điện ở các bề mặt nắm cách điện khi thực hiện thao tác mà dụng cụ cắt có thể tiếp xúc với hệ thống dây điện ẩn.** Việc tiếp xúc với dây "có điện" cũng sẽ làm cho các bộ phận kim loại hở ra của dụng cụ điện "có điện" và có thể khiến người vận hành bị điện giật.
- Sử dụng kẹp hoặc cách thiết thực khác để cố định và đỡ phôi vào tấm để một cách chắc chắn.** Việc cầm phôi bằng tay hoặc tựa vào người sẽ khiến nó không ổn định và có thể dẫn đến mất kiểm soát.

## BIỂU TƯỢNG



Để giảm nguy cơ chấn thương, người dùng phải đọc hướng dẫn sử dụng



Cảnh báo



Đeo bảo vệ tai



Mang kính bảo vệ mắt



Đeo mặt nạ chống bụi



Các sản phẩm điện thải không được thải bỏ cùng với rác thải sinh hoạt. Hãy tái chế ở nơi có cơ sở vật chất. Hãy kiểm tra với chính quyền địa phương hoặc nhà bán lẻ để được tư vấn về tái chế.

## MÁY CỬA KIỂM DÙNG PIN

### DANH SÁCH CÁC BỘ PHẬN CỦA MÁY

1. LƯỚI CỬA
2. TẤM CHẮN TRỤC
3. CẢN KẸP LƯỚI CỬA
4. CÔNG TẮC BẬT/TẮT
5. NÚT KHÓA AN TOÀN
6. BỘ PIN*
7. NÚT THÁO BỘ PIN*
8. CẦN ĐIỀU CHỈNH TẤM CHẮN TRỤC

\* Not all the accessories illustrated or described are included in standard delivery.

### THÔNG SỐ KỸ THUẬT

Loại RS20S-20 (20S-20-ký hiệu máy, đại diện cho máy cửa kiểm)

Điện áp	18V (20V Max.)	
Tốc độ không tải	0-3000 /min	
Chiều dài hành trình	20mm	
Công suất cắt tối đa	Gỗ	100mm
	Thép	10mm
Trọng lượng máy (không có pin)	1.73kg	

### BỘ PIN PHÙ HỢP

Mã hàng	BI20-2	BI20-4
Dung lượng pin	2.0Ah	4.0Ah
	Không bao gồm	Đề xuất (Không bao gồm)

### BỘ SẠC PHÙ HỢP

Mã hàng	C20-2	C20-4
Điện áp vào bộ sạc	100-240V~50/60Hz, 55W	100-240V~50/60Hz, 95W
Điện áp ra bộ sạc	20V  2.0A	20V  4.0A
Thời gian sạc (xấp xỉ)	1 giờ (2.0 Ah) 2 giờ (4.0 Ah)	30phút (2.0 Ah) 60phút (4.0 Ah)
Lớp bảo vệ bộ sạc	/II	/II
	Không bao gồm	Không bao gồm



## THÔNG TIN VỀ ĐỘ ỒN

Áp suất âm thanh có trọng số	$L_{pA}$ : 84dB (A)
Công suất âm thanh có trọng số	$L_{wA}$ : 92dB (A)
$K_{pA}$ & $K_{wA}$	5dB (A)
<b>Đeo bảo vệ tai.</b>	

## THÔNG TIN VỀ ĐỘ RUNG

Tổng giá trị rung động (tổng vector ba trục) được xác định theo EN 62841:	
Cắt gỗ tấm	Giá trị rung động phát ra: $a_{h,B} = 16,7m/s^2$
	Độ không đảm bảo $K = 1.5m/s^2$
Cắt dầm gỗ	Giá trị rung động phát ra: $a_{h,WB} = 18,6m/s^2$
	Độ không đảm bảo $K = 1.5m/s^2$

Tổng giá trị rung được công bố và giá trị phát ra tiếng ồn được công bố đã được đo theo phương pháp thử tiêu chuẩn và có thể được sử dụng để so sánh dụng cụ này với dụng cụ khác. Tổng giá trị rung động được công bố và giá trị phát ra tiếng ồn đã công bố cũng có thể được sử dụng trong đánh giá sơ bộ về mức độ phơi nhiễm.

**⚠ CẢNH BÁO:** Độ rung và tiếng ồn phát ra trong quá trình sử dụng thực tế dụng cụ điện có thể khác với giá trị được công bố tùy thuộc vào cách sử dụng dụng cụ, đặc biệt là loại dụng cụ nào. phôi được xử lý tùy thuộc vào các ví dụ sau và các biến thể khác về cách sử dụng dao:

Cách sử dụng công cụ và vật liệu được cắt hoặc khoan.

Công cụ đang ở trong tình trạng tốt và được bảo trì tốt.

Việc sử dụng đúng phụ kiện cho dụng cụ và đảm bảo nó sắc bén và ở tình trạng tốt.

Độ chặt của tay cầm trên tay cầm và có sử dụng phụ kiện chống rung, chống ồn hay không.

Và công cụ này đang được sử dụng đúng mục đích nhờ thiết kế của nó và các hướng dẫn này.

**Công cụ này có thể gây ra hội chứng rung tay-cánh tay nếu việc sử dụng nó không được quản lý đầy đủ.**

**⚠ CẢNH BÁO:** Để chính xác, việc ước tính mức phơi nhiễm trong điều kiện sử dụng thực tế cũng phải tính đến tất cả các phần của chu trình vận hành, chẳng hạn như thời điểm chuyển đổi công cụ. tắt và khi nó chạy không tải nhưng không thực sự thực hiện công việc. Điều này có thể làm giảm đáng kể mức độ phơi nhiễm trong tổng thời gian làm việc.

Giúp giảm thiểu rủi ro tiếp xúc với rung động của bạn.

Bảo trì công cụ này theo các hướng dẫn này và luôn bôi trơn tốt (nếu thích hợp).

Nếu dụng cụ này được sử dụng thường xuyên thì hãy đầu tư vào các phụ kiện chống rung .

Lập kế hoạch lịch trình làm việc của bạn để dần trải việc sử dụng công cụ có độ rung cao trong một số ngày.

## PHỤ KIỆN

Lưỡi cắt gỗ	1
Lưỡi cắt kim loại	1

Chúng tôi khuyên bạn nên mua phụ kiện từ cùng một cửa hàng đã bán công cụ cho bạn. Tham khảo bao bì phụ kiện để biết thêm chi tiết. Nhân viên cửa hàng có thể hỗ trợ bạn và đưa ra lời khuyên.

## MÁY CỬA KIỂM DÙNG PIN

### HƯỚNG DẪN VẬN HÀNH



**LƯU Ý:** Trước khi sử dụng công cụ, hãy đọc kỹ sách hướng dẫn.

#### MỤC ĐÍCH SỬ DỤNG

Máy được thiết kế để cưa gỗ, nhựa, kim loại mềm và vật liệu xây dựng trong khi đặt chắc chắn trên phôi. Nó phù hợp cho các vết cắt thẳng và cong.

#### LẮP RÁP

##### 1. LẮP VÀ THÁO LƯỚI CỬA BẰNG TAY (XEM HÌNH A1, A2)

- 1) Xoay cần kẹp lưới cửa ngược chiều kim đồng hồ đến góc tối đa và giữ nó.
- 2) Đưa cán lưới vào kẹp lưới xuyên qua tấm bảo vệ lưới cho đến khi nó dừng lại. Đảm bảo lỗ nhỏ trên lưới cửa nằm trên chốt của kẹp.
- 3) Nhả cần kẹp lưới cửa. Cần kẹp sẽ tự động trở về vị trí ban đầu.
- 4) Kéo lưới cửa lên để đảm bảo rằng nó được khóa đúng vị trí. Để tháo lưới cửa, hãy thực hiện các hướng dẫn này theo thứ tự ngược lại.



**CẢNH BÁO:** Ràng của lưới cửa rất sắc. Luôn đeo găng tay bảo hộ. Để có kết quả cắt tốt nhất, hãy đảm bảo bạn sử dụng lưới cửa phù hợp với vật liệu và chất lượng cắt mà bạn cần.

##### 2. ĐIỀU CHỈNH TẮM CHẮN (XEM HÌNH B)

Điều chỉnh vị trí của tấm chắn theo chiều dài lưới cửa và độ dày phôi; luôn đảm bảo rằng lưới cửa vượt ra ngoài phôi trong suốt hành trình.

##### - Điều chỉnh góc của tấm chắn

Tấm chắn trụ nghiêng để giữ phần lớn bề mặt của nó tiếp xúc với bề mặt làm việc. Để điều chỉnh, hãy giữ chặt máy cưa và xoay tấm chắn trụ đến vị trí mong muốn.

##### 3. ĐIỀU CHỈNH ĐỘ SÂU CẮT (XEM HÌNH C1, C2)

Nếu bạn cần giảm khả năng cắt của dụng cụ (độ sâu cắt), tấm chắn trụ có thể được điều chỉnh như sau.

- 1) Nói lòng cần điều chỉnh tấm chắn bằng cách xoay nó xuống phía dưới của ốp phía trước.
- 2) Trượt tấm chắn xoay về phía trước hoặc phía sau đến vị trí cần thiết.
- 3) Siết chặt cần điều chỉnh tấm chắn bằng cách

xoay nó lên trên về vị trí ban đầu. Kiểm tra xem tấm chắn đã được chốt chắc chắn chưa.

#### TRƯỚC KHI ĐƯA VÀO VẬN HÀNH

##### 1. THÁO VÀ LẮP BỘ PIN (KHÔNG KÈM THEO MÁY) (XEM HÌNH D1, D2)

Trước tiên hãy nhấn mạnh nút tháo bộ pin rồi trượt bộ pin ra khỏi dụng cụ của bạn.

Trượt bộ pin đã sạc đầy vào dụng cụ với một lực vừa đủ cho đến khi nó khớp vào vị trí.

#### HOẠT ĐỘNG

##### 1. CÔNG TÁC AN TOÀN BẬT/TẮT (XEM HÌNH E)

Để khóa công tắc bật/tắt, hãy đặt nút khóa ở vị trí chính giữa. Điều này giúp giảm khả năng vô tình khởi động khi không sử dụng. Nhấn nút khóa sang trái hoặc phải rồi bật/tắt công tắc và nhả nút khóa. Công tắc của bạn hiện đã bật. Để tắt, chỉ cần nhả công tắc bật/tắt.

**LƯU Ý:** Đèn LED sẽ tự động chiếu sáng vùng làm việc khi sản phẩm được bật.



**CẢNH BÁO:** Không nhìn thẳng vào đèn LED!

##### 2. KIỂM SOÁT TỐC ĐỘ THAY ĐỔI (XEM HÌNH F)

Công tắc bật/tắt cũng là công tắc kích hoạt điều khiển tốc độ thay đổi. Tốc độ hành trình của pit tông lưới cửa có thể được điều chỉnh từ mức tối thiểu đến tối đa bằng áp suất bạn tác dụng lên công tắc bật/tắt.

Áp dụng nhiều áp lực hơn để tăng tốc độ và giải phóng áp lực để giảm tốc độ.

##### 3. KHU VỰC TAY CẦM (XEM HÌNH G)

Luôn giữ chắc máy cưa bằng cả hai tay khi vận hành.

##### 4. CẮT CHÌM (XEM HÌNH H)



**CẢNH BÁO:** Quy trình cắt chìm chỉ thích hợp để xử lý các vật liệu mềm

chẳng hạn như gỗ, tấm thạch cao hoặc tương tự! Không gia công vật liệu kim loại mềm bằng quy trình cắt chìm!

Chỉ sử dụng lưới cửa ngắn để cắt chìm. Đặt lưới cửa có cạnh của chân lưới lên vật gia công và bật nguồn. Đối với dụng cụ điện có bộ điều khiển tốc độ hành trình, hãy đặt tốc độ hành trình tối đa. Ấn chặt máy cưa vào vật gia công và để lưới cửa từ từ đâm vào vật gia công. Ngay khi chân lưới cửa nằm hoàn toàn trên bề mặt phôi, hãy tiếp tục cưa dọc theo đường cắt mong muốn. Đối với một số công việc

nhất định, lưới cửa cũng có thể được đưa vào quay 180° và cửa kiểm có thể được dẫn hướng tương ứng theo cách đảo ngược.

## 5. CẮT NGANG (XEM HÌNH I)

**!** **CẢNH BÁO:** Chú ý rằng lưới cửa luôn nhô ra ngoài đường kính của vật liệu đang được gia công. Có nguy cơ bị giết ngược.

Có thể thực hiện các vết cắt cực kỳ gần sàn, tường và các khu vực khó khăn khác. Chèn cán lưới vào kẹp lưới với các răng của lưới hướng lên trên (ngược lại với vị trí làm việc bình thường). Điều này sẽ làm cho vết cắt gần bề mặt làm việc hơn. Sử dụng các lưới cửa linh hoạt đặc biệt lắp lưới cửa vào kẹp lưới với răng lưới hướng xuống dưới (vị trí làm việc bình thường). Nó sẽ cho phép cắt ống phẳng.

## 6. CẮT GỖ

Luôn đảm bảo gỗ được kẹp chắc chắn để tránh dịch chuyển. Để điều khiển dễ dàng hơn, hãy sử dụng tốc độ thấp để bắt đầu cắt, sau đó tăng lên tốc độ chính xác.

## 7. CẮT KIM LOẠI

Máy cửa này có khả năng cắt kim loại khác nhau tùy thuộc vào loại lưới được sử dụng và kim loại được cắt.

Luôn kẹp vật liệu xuống để tránh bị trượt.

Sử dụng lưới cắt mịn hơn cho kim loại đen và lưới cắt thô cho kim loại màu. Khi cắt kim loại tấm khổ mỏng, luôn luôn kẹp gỗ ở cả hai mặt của tấm. Điều này sẽ giúp bạn có đường cắt sạch sẽ mà không bị rung quá mức hoặc làm rách kim loại.

Không để lưới cắt. Việc để lưới cửa sẽ làm giảm tuổi thọ của lưới cửa và khiến lưới cửa bị gãy.

**LƯU Ý:** Chúng tôi khuyên bạn nên phết một lớp dầu mỏng hoặc chất làm mát khác dọc theo đường cắt phía trước cửa. Điều này sẽ cho phép vận hành dễ dàng hơn và giúp kéo dài tuổi thọ của lưới cửa. Khi cắt nhôm, hãy sử dụng dầu hòa.

## 8. CẮT CHÌM (VẬT LIỆU MỀM CHỈ MỘT. KHÔNG CẮT CÁT KIM LOẠI BỀ MẶT) (XEM HÌNH J)

Đánh dấu vị trí hoặc lỗ bên trong để cắt ra. Lắp lưới cắt đặc biệt với răng lưới hướng xuống dưới và kẹp chặt. Nghiêng máy cửa sao cho cạnh sau của tấm chắn bảo vệ lưới nằm trên bề mặt làm việc. Sử dụng tốc độ chậm để bắt đầu cắt nhằm tránh làm

gãy lưới cửa nhưng tăng lên tốc độ phù hợp sau khi bắt đầu cắt. Với bộ phận bảo vệ lưới được giữ chắc chắn trên bề mặt làm việc, hãy bắt đầu chuyển động cửa lên trên chậm nhưng có kiểm soát. Lưới cửa sẽ cắt vào và xuyên qua vật liệu. Luôn đảm bảo lưới cửa xuyên qua hoàn toàn vật liệu trước khi cắt phần còn lại của vật liệu.

## GỢI Ý LÀM VIỆC CHO CỬA KIỂM CỦA BẠN


Nếu máy cửa kiểm của bạn trở nên quá nóng, hãy đặt tốc độ ở mức tối đa và chạy không tải trong 2-3 phút để làm mát động cơ. Luôn đảm bảo phôi được giữ hoặc kẹp chắc chắn để tránh dịch chuyển. Tấm chắn trụ phải được giữ chắc chắn trên vật liệu bị cắt để giảm độ rung của cửa, hiện tượng nhảy lưới và gãy lưới.

## BẢO TRÌ

**Tháo pin trước khi thực hiện bất kỳ điều chỉnh, bảo dưỡng hoặc bảo trì nào. Công cụ của bạn không cần bôi trơn hoặc bảo trì bổ sung.**

Không có bộ phận nào cần bạn bảo trì trong dụng cụ điện của bạn. Không bao giờ sử dụng nước hoặc chất tẩy rửa hóa học để làm sạch dụng cụ điện của bạn. Lau sạch bằng vải khô. Luôn bảo quản dụng cụ điện của bạn ở nơi khô ráo. Giữ sạch các khe thông gió của động cơ. Giữ tất cả các điều khiển hoạt động không có bụi. Thành thạo bạn có thể thấy tia lửa điện xuyên qua các khe thông gió. Điều này là bình thường và sẽ không làm hỏng dụng cụ điện của bạn.

## BẢO VỆ MÔI TRƯỜNG

 Các sản phẩm điện thải không được tái chế, bỏ cùng với rác thải sinh hoạt. Hãy tái chế ở nơi có cơ sở vật chất. Hãy kiểm tra với chính quyền địa phương hoặc nhà bán lẻ để được tư vấn về tái chế.

MÁY CỬA KIỂM DÙNG PIN

# EC Tuyên bố về Sự phù hợp



Chúng tôi :

**HYUNDAI Corporation Holdings Europe**  
Am Kronberger Hang 2A, 65824, Schwalbach am Taunus  
Germany

Chúng tôi tuyên bố rằng sản phẩm chi tiết dưới đây :  
**Máy cửa kiểm dùng pin**

**MẪU:** RS20S-20  
**CHỨC NĂNG:** Cửa nhiều loại vật liệu

Đáp ứng các yêu cầu của các chỉ thị của Hội đồng :  
2006/42/EC, 2011/65/EU & (EU)2015/863, 2014/30/EU

Các tiêu chuẩn tuân thủ :  
EN 62841-1, EN 62841-2-11,  
EN IEC 55014-1, EN IEC 55014-2,  
EN IEC 63000

**Người được ủy quyền biên soạn hồ sơ kỹ thuật,**  
**Tên : Hyundae Kim**  
**Địa chỉ : HYUNDAI Corporation Holdings Europe**  
**65824 Schwalbach am Taunus, Germany**

VN

Giám đốc điều hành

Jaiwon Hur

Quản lý dự án

Sungwoo Hong

Ngày : 2024.09.25

## ОРИГИНАЛНИ ИНСТРУКЦИИ БЕЗБЕДНОСТ НА ПРОИЗВОДОТ ОПШТ ЕЛЕКТЕН АЛАТ БЕЗБЕДНОСНИ ПРЕДУПРЕДУВАЊА



**ПРЕДУПРЕДУВАЊЕ!** Прочитајте ги сите безбедносни предупредувања, упатства, илустрации и спецификации дадени со оваа електрична алатка. Ако не се следат сите упатства наведени подолу, може да дојде до електричен удар, пожар и/или сериозни повреди.

Зачувајте ги сите предупредувања и упатства за идна референца.

Терминот „електричен алат“ во предупредувањата се однесува на вашиот електричен алат кој работи од мрежа (со кабел) или електричен алат кој работи на батерии (без жици).

### 1. БЕЗБЕДНОСТ НА РАБОТНИОТ ПРОСТОР

- а) Одржувајте ја работната површина чиста и добро осветлена. Преполните или темните области предизвикуваат несреќи.
- б) Не ракувајте со електричните алати во експлозивни атмосфери, како на пример во присуство на запаливи течности, гасови или прашина. Електричните алатки создаваат искри што може да ја запалат прашина или испарувањата.
- в) Држете ги децата и случајните минувачи подалеку додека ракувате со електрична алатка. Одвлекувањето на вниманието може да предизвика да изгубите контрола.

### 2. ЕЛЕКТРИЧНА БЕЗБЕДНОСТ

- а) Приклучоците за електричниот алат мора да одговараат на штекерот. Никогаш не го менувајте приклучокот на кој било начин. Не користете никакви приклучоци за адаптер со заземјени (заземјени) електрични алати. Непроменетите приклучоци и соодветните приклучоци ќе го намалат ризикот од електричен удар.
- б) Избегнувајте контакт на телото со заземјени или заземјени површини, како што се цевки, радијатори, полигони

и фрижидери. *Постои зголемен ризик од електричен удар ако вашето тело е заземјено или заземјено.*

- в) Не изложувајте ги електричните алати на дожд или влажни услови. *Водата што влегува во електричниот алат ќе го зголеми ризикот од електричен удар.*
- г) Не го злоупотребувајте кабелот. Никогаш не користете го кабелот за носење, влечење или исклучување на електричниот алат. Чувајте го кабелот подалеку од топлина, масло, остри рабови или подвижни делови. *Оштетените или заплетканите кабли го зголемуваат ризикот од електричен удар.*
- д) Кога ракувате со електрична алатка на отворено, користете продолжен кабел погоден за надворешна употреба. *Употребата на кабел погоден за надворешна употреба го намалува ризикот од електричен удар.*
- ѓ) Ако ракувањето со електрична алатка на влажна локација е неизбежно, користете уред за заштита од преостаната струја (RCD). *Употребата на RCD го намалува ризикот од електричен удар.*

### 3. ЛИЧНА БЕЗБЕДНОСТ

- а) Бидете внимателни, внимавајте што правите и користете здрав разум кога ракувате со електрична алатка. Не користете електрична алатка додека сте уморни или под дејство на дрога, алкохол или лекови. *Моментот на невнимание додека ракувате со електричните алати може да резултира со сериозна лична повреда.*
- б) Користете лична заштитна опрема. Секогаш носете заштита за очи. *Заштитната опрема како маска за прав, заштитни чевли што не се лизгаат, тврда капа или заштита за слух што се користи за соодветни услови ќе ги намали личните повреди.*
- в) Спречете ненамерно палење. Уверете се дека прекинувачот е во исклучена положба пред да се поврзете со изворот на енергија и/или со батерискиот пакет, да ја земете или да ја носите алатката. *Носењето електрични алати со прстот*

## БЕЗЖИЧНА РЕЦИПРОЧНА ПИЛА

на прекинувачот или напојувањето на електричните алати на кои е вклучен прекинувачот предизвикува несреќи.

- г) Отстранете го клучот за прилагодување или клучот пред да го вклучите електричниот алат. *Клучот или клучот што е оставен закачен на ротирачкиот дел од електричниот алат може да резултира со лична повреда.*
- д) Не претерувајте. Одржувајте правилна основа и рамнотежа во секое време. *Ова овозможува подобра контрола на електричниот алат во неочекувани ситуации.*
- ѓ) Облечете се правилно. Не носете широка облека или нажит. Чувајте ја вашата коса, облека и ракавици подалеку од подвижни делови. *Лабава облека, нажит или долга коса може да се фатат во подвижни делови.*
- е) Доколку се обезбедени уреди за поврзување на капацитети за вадење и собирање прашина, проверете дали тие се поврзани и правилно користени. *Употребата на собирање прашина може да ги намали опасностите поврзани со прашина.*
- ж) Не дозволувајте блискоста добиена од честата употреба на алатките да ви овозможи да станете самозадоволни и да ги игнорирате принципите за безбедност на алатот. *Невнимателно дејство може да предизвика сериозна повреда во дел од секундата.*

### 4. УПОТРЕБА И НЕГА НА ЕЛЕКТЕН АЛАТ

- а) Не присилувајте го електричниот алат. Користете ја правилната електрична алатка за вашата апликација. *Правилниот електричен алат ќе ја заврши работата подобро и побезбедно со брзината за која е дизајнирана.*
- б) Не користете го електричниот алат ако прекинувачот не го вклучува и исклучува. *Секој електричен алат што не може да се контролира со прекинувачот е опасен и мора да се поправи.*
- в) Исклучете го приклучокот од изворот на струја и/или батерискиот пакет од електричниот алат пред да извршите какви било прилагодувања, да менувате

додатоци или да ги чувате електричните алати. *Ваквите превентивни безбедносни мерки го намалуваат ризикот од случајно палење на електричниот алат.*

- г) Чувајте ги електричните алати во мирување подалеку од дофат на деца и не дозволувајте лица кои не се запознаени со електричниот алат или со овие упатства да ракуваат со електричниот алат. *Електричните алатки се опасни во рацете на необучени корисници.*
  - д) Одржувајте ги електричните алати. Проверете дали има неусогласеност или врзување на подвижните делови, кришење на делови и каква било друга состојба што може да влијае на работата на електричниот алат. Доколку е оштетен, поправете го електричниот алат пред употреба. *Многу несреќи се предизвикани од лошо одржувани електрични алати.*
  - ѓ) Чувајте ги алатките за сечење остри и чисти. *Правилно одржувани алати за сечење со остри рабови за сечење имаат помала веројатност да се врзат и полесно се контролираат.*
  - е) Користете го електричниот алат, додатоците и деловите за алат итн. во согласност со овие упатства, земајќи ги предвид работните услови и работата што треба да се изврши. *Употребата на електричниот алат за операции различни од планираните може да доведе до опасна ситуација.*
  - ж) Чувајте ги рачките и површините за фаќање суви, чисти и без масло и маснотии. *Лизгавите рачки и површините за фаќање не дозволуваат безбедно ракување и контрола на алатот во неочекувани ситуации.*
- ### 5. КОРИСТЕЊЕ И НЕГА НА АЛАТ ЗА БАТЕРИЈА
- а) Полнете само со полначот наведен од производителот. *Полнач кој е соодветен за еден тип батериски пакет може да создаде ризик од пожар кога се користи со друг батериски пакет.*
  - б) Користете електрични алати само со специјално назначени батерии. *Употребата на други батерии може да*

создаде ризик од повреда и пожар.

- в) Кога батерискиот пакет не се користи, држете го подалеку од други метални предмети, како што се спојки за хартија, монети, клучеви, клинцци, завртки или други мали метални предмети, кои можат да направат поврзување од еден терминал до друг. *Скратувањето на терминалите на батеријата може да предизвика изгореници или пожар.*
- г) Под навредливи услови, течноста може да се исфрли од батеријата; избегнувајте контакт. Ако случајно дојде до контакт, исплакнете со вода. Доколку течноста дојде во контакт со очите, дополнително побарајте лекарска помош. *Исфрлената течност од батеријата може да предизвика иритација или изгореници.*
- д) Не користете батериски пакет или алатка што е оштетена или изменета. *Оштетените или изменетите батерии може да покажат непредвидливо однесување што резултира со пожар, експлозија или ризик од повреда.*
- ѓ) Не изложувајте батериски пакет или алатка на оган или прекумерна температура. *Изложеноста на оган или температура над 130°C може да предизвика експлозија.*
- е) Следете ги сите упатства за полнење и не полнете ја батеријата или алатката надвор од температурниот опсег наведен во упатствата. *Неправилно полнење или на температури надвор од наведениот опсег може да ја оштети батеријата и да го зголеми ризикот од пожар.*

## 6. СЕРВИС

- а) Обезбедете ја вашата електрична алатка да ја сервисира квалификувано лице за поправка користејќи само идентични резервни делови. *Ова ќе осигури дека се одржува безбедноста на електричниот алат.*
- б) Никогаш не ги сервисирајте оштетените батерии. *Сервисирањето на батериските пакувања треба да го врши само производителот или овластените даватели на услуги.*

## ПИЛА БЕЗБЕДНОСНИ ПРЕДУПРЕДУВАЊА

1. Држете ја клипната пила за изолираните површини за држење, кога вршите операција каде што додатокот за сечење може да дојде во контакт со скриените жици. *Додатокот за сечење кој контактира со жица „жива“ може да ги направи откриените метални делови на електричниот алат „во живо“ и може да предизвика електричен удар на операторот.*
2. Користете стеги или друг практичен начин за да го прицврстите и потпрете работното парче на стабилна платформа. *Држењето на работата со рака или против вашето тело ја остава нестабилна и може да доведе до губење на контролата.*

## СИМБОЛИ



За да се намали ризикот од повреда, корисникот мора да го прочита упатството за употреба



Предупредување



Носете заштита за уши



Носете заштита за очи



Носете маска за прашина



Отпадните електрични производи не смеат да се фрлаат со домашен отпад. Ве молиме рециклирајте таму каде што има капацитети. Проверете кај вашите локални власти или продавач за совет за рециклирање.

## БЕЗЖИЧНА РЕЦИПРОЧНА ПИЛА

### ЛИСТА НА КОМПОНЕНТИ

1. БЛЕД
2. PIVOT FOOT PLATE
3. РАЧКА ЗА СТЕГА ЗА НОЖЕТ БЕЗ АЛАТКИ
4. ВКЛУЧУВАЊЕ/ИСКЛУЧУВАЊЕ
5. КОПЧЕ ЗА ЗАКЛУЧУВАЊЕ
6. БАТЕРИЈА*
7. КОПЧЕ ЗА ОСЛОБОДУВАЊЕ НА БАТЕРИЈАТА*
8. РАЧКА ЗА ПРИЛАГОДУВАЊЕ НА БАЗЕК

\* Не сите илустрирани или опишани додатоци се вклучени во стандардната испорака.

### ТЕХНИЧКИ ПОДАТОЦИ

Тип RS20S-20 (20S-20-ознака на машини, претставник на клипна пила)

Напон		18V $\overline{=}$ (макс. 20V)
Нема брзина на оптоварување		0-3000 /мин
Должина на ударот		20 мм
Капацитет на сечење макс	Дрво	100 мм
	Челик	10 мм
Тежина на машината (без батерија)		1.73 кг

### ПОГОДНИ БАТЕРИИ

Точка број	BI20-2	BI20-4
Капацитет на батеријата	2.0 Ah	4.0 Ah
	Не се вклучени	Препорачано (Не е вклучено)

### ПОГОДНИ ПОЛНАЧИ

Точка број	C20-2	C20-4
Влез на полнач	100-240V~50/60Hz, 55W	100-240V~50/60Hz, 95W
Излез на полнач	20V $\overline{=}$ 2.0A	20V $\overline{=}$ 4.0A
Време на полнење (прибл.)	1 час (2,0 Ah) 2 часа (4,0 Ah)	30 минути (2,0 Ah) 60 минути (4,0 Ah)
Класа за заштита на полнач	$\square$ /II	$\square$ /II
	Не се вклучени	Не се вклучени

### ИНФОРМАЦИИ ЗА БУЧАВА

Пондериран звучен притисок		L <sub>PA</sub> : 84dB (A)
Пондерирана звучна моќ		L <sub>WA</sub> : 92dB (A)
K <sub>PA</sub> & K <sub>WA</sub>		5dB (A)
Носете заштита за уши.		



## ИНФОРМАЦИИ ЗА ВИБРАЦИИ

Вкупни вредности на вибрации (триакс векторски збир) утврдени според EN 62841:	
Даски за сечење	Вредност на емисија на вибрации: $a_{h,B} = 16,7 \text{ m/s}^2$
	Несигурност $K = 1.5\text{m/s}^2$
Сечење дрвени греди	Вредност на емисија на вибрации: $a_{ж,СБ} = 18,6 \text{ m/s}^2$
	Несигурност $K = 1.5\text{m/s}^2$

Декларираната вкупна вредност на вибрациите и декларираната вредност на емисија на бучава се измерени во согласност со стандарден метод на тестирање и може да се користат за споредување на една алатка со друга. Декларираната вкупна вредност на вибрациите и декларираната вредност на емисија на бучава може да се користат и при прелиминарна проценка на изложеноста.

**⚠ ПРЕДУПРЕДУВАЊЕ:** Емисиите на вибрации и бучава за време на вистинската употреба на електричниот алат може да серазликуваат од декларираната вредност во зависност од начините на кои се користи алатот, особено каков вид на обработено парче се обработува во зависност од следните примери и други варијации за тоа како се користи алатот: Како се користи алатот и материјалите што се сечат или дупчат. Алатката е во добра состојба и добро одржувана. Употреба на правилен додаток за алатот и обезбедување дека е остра и во добра состојба. Затегнатоста на рачката на рачките и доколку се користат додатоци против вибрации и бучава. И алатката се користи како што е предвидено со неговиот дизајн и овие упатства.

**Оваа алатка може да предизвика синдром на вибрации на рака-рака доколку не се управува соодветно со нејзината употреба.**

**⚠ ПРЕДУПРЕДУВАЊЕ:** Да бидеме точни, проценка на нивото на изложеност во реалните услови на употреба треба да ги земе предвид и сите делови од работниот циклус, како што се времињата кога алатката е исклучена и кога работи во мирување, но всушност не ја врши работата. Ова може значително да го намали нивото на изложеност во текот на вкупниот работен период. Помага да се минимизира ризикот од вибрации и изложеност на бучава. Секогаш користете остри длета, дупчалки и сечила. Одржувајте ја оваа алатка во согласност со овие упатства и чувајте ја добро подмачкана (каде што е соодветно). Ако алатот треба да се користи редовно, тогаш инвестирајте во додатоци против вибрации и бучава. Планирајте го вашиот работен распоред за да ја проширите употребата на алат со високи вибрации низ неколку денови.

## ДОДАТОЦИ

Сечило за сечење дрво	1
Сечило за сечење метал	1

Ви препорачуваме да ги купите вашите додатоци од истата продавница што ви ја продаде алатката. Погледнете го пакувањето на додатоците за повеќе детали. Персоналот на продавницата може да ви помогне и да понуди совет.

## БЕЗЖИЧНА РЕЦИПРОЧНА ПИЛА

### РАБОТА ИНСТРУКЦИИ



**ЗАБЕЛЕШКА:** Пред да ја користите алатката, внимателно прочитајте ја книгата со упатства.

#### НАМЕНСКА УПОТРЕБА

Машината е наменета за пилање дрво, пластика, мек метал и градежни материјали додека цврсто лежи на работното парче. Погоден е за прави и криви кровови.

#### СОБРАНИЕ

##### 1. МОНТУВАЊЕ И ОТСТРАНУВАЊЕ НА НОЖИЧОТ БЕЗ АЛАТКИ (ВИДИ СЛИКА A1, A2)

- 1) Завртете ја рачката на стегачот на сечилото без алат спротивно од стрелките на часовникот до неговиот максимален агол и држете го.
- 2) Вметнете го стеблото на сечилото во стегачот на сечилото преку штитникот на сечилото додека не застане. Уверете се дека малата дупка во сечилото е на иглата во стегачот.
- 3) Ослободете ја рачката на стегачот на сечилото без алат. Рачката на стегачот автоматски ќе се врати во првобитната положба.
- 4) Повлечете го сечилото нагоре за да се уверите дека е заклучено на своето место. За да отстраните сечило, извршете ги овие упатства во обратен редослед.



**ПРЕДУПРЕДУВАЊЕ:** Забите на сечилото се многу остри. Секогаш носете заштитни ракавици. За најдобри резултати во сечењето, погрижете се да користите сечило за пила што одговара на материјалот и квалитетот на сечењето што ви треба.

##### 2. ПРИЛАГОДУВАЊЕ НА НАСТАПКИТЕ (ВИДИ СЛИКА Б)

Прилагодете ја положбата на подножјето според должината на сечилото и дебелината на работното парче; секогаш погрижете се сечилото да се протега надвор од работното парче во текот на целиот удар.

- Подесување на аголот на подножјето  
Вртежната подножја се навалува за да

одржува што поголем дел од нејзината површина во контакт со работната површина. За да се приспособите, држете ја пилата цврсто и свртете ја ротирачката носачка плоча во саканата положба.

##### 3. ДЛАБОЧИНА НА ПРИЛАГОДУВАЊЕТО НА ИЗЧЕЊЕТО (ВИДИ СЛИКА C1, C2)

Ако треба да го намалите капацитетот за сечење на вашата алатка (длабочина на сечењето), ротирачката нога плоча може да се прилагоди на следниов начин.

- 1) Олабавете ја рачката за прилагодување на подножјето вртејќи ја надолу кон долната страна на предното куќиште.
- 2) Лизгајте ја ротирачката носачка плоча напред или назад до потребната положба.
- 3) Затегнете ја рачката за прилагодување на подножјето со вртење нагоре во првобитната положба. Проверете дали подножјето е цврсто залепено.

#### ПРЕД СТАВАЊЕ ВО РАБОТА

##### 1. ОТСТРАНУВАЊЕ И ИНСТАЛИРАЊЕ НА БАТЕРИЈАТА (НЕ СЕ ИСПОРАВУВА) (ВИДИ СЛИКА D1, D2)

За да го извадите батерискиот пакет, прво цврсто притиснете го копчето за ослободување на батериите, а потоа извлечете го комплетот батерии од вашата алатка.

За да го инсталирате батерискиот пакет, лизгајте го целосно наполнетиот батериски пакет на алатката со доволна сила додека не кликне во положбата.

#### ОПЕРАЦИЈА

##### 1. БЕЗБЕДНОСЕН ПРЕКЛУЧУВАЧ ЗА ВКЛУЧУВАЊЕ/ИСКЛУЧУВАЊЕ (ВИДИ СЛИКА Д)

За да го заклучите прекинувачот за вклучување/исклучување, ставете го копчето за заклучување во средишната положба. Ова помага да се намали можноста за случајно палење кога не се користи. Притиснете го копчето за заклучување лево или десно, потоа прекинувачот за вклучување/исклучување и отпуштете го копчето за заклучување. Вашиот прекинувач сега е вклучен. За да се исклучите, само отпуштете го прекинувачот за вклучување/исклучување.

**ЗАБЕЛЕШКА:** LED светлото автоматски ќе ја

осветли работната зона кога производот е вклучен.



**ПРЕДУПРЕДУВАЊЕ:** Не гледајте директно во LED светло!

## 2. КОНТРОЛА НА ПРОМЕНЛИВА БРЗИНА (ВИДИ СЛИКА F)

Прекинувачот за вклучување/исклучување е исто така прекинувач за активирање со контролирана променлива брзина. Стапката на удар на клипот на сечилото може да се прилагоди од минимум до максимум со притисокот што го применувате на прекинувачот за вклучување/исклучување.

Нанесете повеќе притисок за да ја зголемите брзината и ослободете го притисокот за да ја намалите брзината.

## 3. ОБЛАСТИ ЗА РАЦЕЊЕ (ВИДИ СЛИКА G)

Секогаш држете ја пилата цврсто со двете раце кога работите.

## 4. СЕЧЕЊЕ СО НУЖЕЊЕ (ВИДИ СЛИКА Ж)



**ПРЕДУПРЕДУВАЊЕ:** Постапката за сечење со потопување е погоден само за обработка на меки материјали како дрво, гипс картон или слично! Не обработувајте меки метални материјали со процедурата за сечење со потопување!

Користете само кратки ножеви за пила за сечење со потопување.

Ставете ја пилата со работ на стапалото на сечилото на работното парче и вклучете го. За електричните алати со контрола на брзината на ударот, поставете ја максималната брзина на ударот.

Притиснете ја пилата цврсто на работното парче и оставете го листот на пилата полека да се втурне во работното парче.

Штом стапалото на сечилото целосно ќе легне на површината на работното парче, продолжете со пилањето покрај саканата линија за сечење. За одредена работа, сечилото на пилата може да се вметне и превртено за 180°, а сабјалната пила може соодветно да се води обратно.

## 5. ПРЕСЕЧЕЊЕ (ВИДИ СЛИКА I)



**ПРЕДУПРЕДУВАЊЕ:** Обрнете внимание дека сечилото на пилата секогаш се протега надвор од дијаметарот на материјалот што се обработува. Постои

опасност од повратен удар.

Можно е да се направат пресеци исклучително блиску до подови, сидови и други тежки области. Вметнете го стеблото на сечилото во стегачот на сечилото со забите на сечилото свртени нагоре (спротивно од нормалната работна положба). Ова ќе ги направи исечоците поблиску до работната површина. Со помош на специјални флексибилни сечила вметнете го сечилото во стегачот на сечилото со забите на сечилото свртени надолу (нормална работна положба). Тоа ќе овозможи сечење на цевката за испирање.

## 6. СЕЧЕЊЕ ДРВА

Секогаш проверувајте дали дрвото е цврсто стегнато за да спречите движење. За полесна контрола користете мала брзина за да започнете со сечење, а потоа зголемете ја за да ја поправите брзината.

## 7. СЕЧЕЊЕ МЕТАЛИ

Оваа пила има различни капацитети за сечење метал во зависност од видот на сечилото што се користи и металот што се сече.

Секогаш стегајте ја работата за да не се лизне.

Користете пофино сечило за црни метали и грубо сечило за обоени метали.

Кога сечете лим со тенок мерач, секогаш стегајте дрво од двете страни на лимот. Ова ќе ви даде чист рез без вишок вибрации или кинење на металот.

Не присилувајте го сечилото за сечење.

Присилувањето на сечилото ќе го намали животниот век на сечилото и ќе предизвика кршење на сечилото.

**ЗАБЕЛЕШКА:** Препорачуваме да намачкате тенок слој масло или друга течност за ладење по должината на линијата на сечењето пред пилата. Ова ќе овозможи полесна работа и ќе помогне да се продолжи животот на сечилото. Кога сечете алуминиум, користете керозин.

## 8. СЕЧЕЊЕ ВО ЦЕБОТ (САМО МЕКИ МАТЕРИЈАЛИ. НЕ СЕЧУВАЈТЕ ВО МЕТАЛНИ ПОВРШНИ) (ВИДИ СЛИКА J)

Обележете го цебот или внатрешната дупка што треба да се исече. Вметнете го специјалното сечило за сечење со забите

## БЕЗЖИЧНА РЕЦИПРОЧНА ПИЛА

на сечилото свртени надолу и прицврстете го безбедно.

Завртете ја пилата така што задниот раб на штитникот на сечилото да лежи на работната површина. Користете бавна брзина за да го започнете сечењето за да избегнете кршење на сечилото, но зголемете ја за да ја поправите брзината откако ќе започне сечењето. Со заштитникот на сечилото цврсто држен на работната површина, започнете бавно, но контролирано замавнување на пилата нагоре. Сечилото ќе се сече во и низ материјалот. Секогаш проверувајте дали сечилото е целосно низ материјалот пред да го исечете остатокот од џебот.

## РАБОТНИ СОВЕТИ ЗА ПИЛА

Ако вашата клипна пила стане премногу жешка, поставете ја брзината на максимум и работете без оптоварување 2-3 минути за да го изладите моторот.

Секогаш проверувајте дали работното парче е цврсто држено или прицврстено за да спречите движење. Вртежната подножја мора цврсто да се држи наспроти материјалот што се сече за да се намалат вибрациите на пилата, скокањето на ножот и кршењето на ножот.

## ОДРЖУВАЊЕ

**Отстранете ја батеријата пред да извршите какво било прилагодување, сервисирање или одржување.**

Вашата алатка не бара дополнително подмачкување или одржување.

Нема делови што може да се сервисираат од страна на вашиот електричен алат. Никогаш не користете вода или хемиски средства за чистење за да го чистите вашиот електричен алат. Избришете го со сува крпа. Секогаш чувајте го вашиот електричен алат на суво место. Чувајте ги отворите за вентилација на моторот чисти. Чувајте ги сите работни контроли без прашина.

Повремено може да видите искри низ отворите за вентилација. Ова е нормално и нема да го оштети вашиот електричен алат.

## ЗАШТИТА



Отпадните електрични производи не смеат да се фрлаат со домашен отпад. Ве молиме рециклирајте таму каде што има капацитети.

Проверете кај вашите локални власти или продавач за совет за рециклирање.

# ЕС Декларација за усогласеност



Ние :

**HYUNDAI Corporation Holdings Europe**  
Am Kronberger Hang 2A, 65824, Schwalbach am Taunus  
Germany

Изјави дека производот е детално опишан подолу:  
**Безжична реципрочна пила**

**МОДЕЛ: RS20S-20**  
**ФУНКЦИЈА : Пила разни материјали**

Ги задоволува барањата од Директивите на Советот :  
2006/42/EC, 2011/65/EU & (EU)2015/863, 2014/30/EU

Стандардите се во согласност со :  
EN 62841-1, EN 62841-2-11,  
EN IEC 55014-1, EN IEC 55014-2,  
EN IEC 63000

**Лицето овластено за составување на техничкото досие,**  
**Име : Hyundai Kim**  
**Адреса : HYUNDAI Corporation Holdings Europe**  
**65824 Schwalbach am Taunus, Germany**

Главен менаџер

Jaiwon Hur

Проектен менаџер

Sungwoo Hong

Датум : 2024.09.25

## AKÜLÜ KILIÇ TESTERE

# ORJİNAL TALİMATLAR ÜRÜN GÜVENLİĞİ GENEL ELEKTRİKLİ EL ALETİ GÜVENLİK UYARILARI

**!** **UYARI!** Tüm güvenlik uyarılarını, talimatları, resimleri ve Bu elektrikli aletle birlikte verilen teknik özellikler. Aşağıda listelenen tüm talimatlara uyulmaması elektrik çarpmasına, yangına ve/veya ciddi yaralanmalara neden olabilir.

Tüm uyarıları ve talimatları ilerde başvurmak üzere saklayın.

Uyarılarda geçen "elektrikli alet" terimi, şebeke elektriğiyle çalışan (kablolu) elektrikli aletinizi veya aküyle çalışan (kablesiz) elektrikli aletinizi ifade eder.

### 1. ÇALIŞMA ALANI GÜVENLİĞİ

- Çalışma alanını temiz ve iyi aydınlatılmış tutun.** Dağınık veya karanlık alanlar kazalara davetiye çıkarır.
- Elektrikli aletleri yanıcı sıvılar, gazlar veya toz gibi patlayıcı ortamlarda çalıştırmayın.** Elektrikli aletler, tozu veya dumanı tutuşturabilecek kıvılcımlar oluşturur.
- Elektrikli bir aleti kullanırken çocukları ve çevredekileri uzak tutun.** Dikkatinizin dağılması kontrolü kaybetmenize neden olabilir.

### 2. ELEKTRİK GÜVENLİĞİ

- Elektrikli alet fişleri prize uygun olmalıdır.** Fişi hiçbir şekilde değiştirmeyin. Topraklı elektrikli aletlerde adaptör fişi kullanmayın. Değiştirilmemiş fişler ve eşleşen prizler elektrik çarpması riskini azaltacaktır.
- Borular, radyatörler, ocaklar ve buzdolapları gibi topraklanmış yüzeylerle vücut temasından kaçınınız.** Artan bir risk vardır. Vücudunuz topraklanırsa elektrik çarpması tehlikesi vardır.
- Elektrikli aletleri yağmura veya ıslak koşullara maruz bırakmayın.** Elektrikli bir alete su girmesi elektrik çarpması riskini artıracaktır.
- Kabloyu kötüye kullanmayın.** Kabloyu asla elektrikli aleti taşımak, çekmek veya fişten çıkarmak için kullanmayın. Kabloyu

ısıdan, yağdan, keskin kenarlardan veya hareketli parçalardan uzak tutun. *Hasarlı veya dolaşmış kablolar elektrik çarpması riskini artırır.*

- Elektrikli bir aleti açık havada kullanırken, açık havada kullanım için uygun bir uzatma kablosu kullanın.** *Dış mekanda kullanıma uygun bir kablunun kullanılması elektrik çarpması riskini azaltır.*
- Elektrikli bir aletin nemli bir yerde çalıştırılması kaçınılmazsa, artık akım cihazı (RCD) korumalı bir besleme kullanın.** *RCD kullanımı elektrik çarpması riskini azaltır.*

### 3. KİŞİSEL GÜVENLİK

- Dikkatli olun, ne yaptığınıza dikkat edin ve elektrikli bir aleti kullanırken sağduyulu davranın.** Yorgunken veya uyuşturucu, alkol veya ilaç etkisi altındayken elektrikli alet kullanmayın. *Elektrikli aletleri kullanırken bir anlık dikkatsizlik ciddi yaralanmalara neden olabilir.*
- Kişisel koruyucu ekipman kullanın.** Daima göz koruması kullanın. *Uygun koşullar için kullanılan toz maskesi, kaymayan güvenlik ayakkabıları, baret veya işitme koruması gibi koruyucu ekipmanlar kişisel yaralanmaları azaltacaktır.*
- İstem dışı çalıştırmayı önleyin.** Güç kaynağına ve/veya akü paketine bağlamadan, aleti kaldırmadan veya taşımadan önce şalterin kapalı konumunda olduğundan emin olun. *Elektrikli aletleri parmağınız şalterin üzerindeyken taşımak veya şalteri açık olan elektrikli aletlere enerji vermek kazalara davetiye çıkarır.*
- Elektrikli aleti çalıştırmadan önce herhangi bir ayar anahtarını veya anahtarı çıkarın.** *Elektrikli aletin dönen bir parçasına takılı kalan bir anahtar veya anahtar yaralanmalara neden olabilir.*
- Aşırı uzanmayın.** Her zaman düzgün basmaya ve dengede durmaya dikkat edin. *Bu, beklenmedik durumlarda elektrikli aletin daha iyi kontrol edilmesini sağlar.*
- Düzgün giyin.** Bol giysiler giymeyin veya takı takmayın. Saçınızı, giysilerinizi ve eldivenlerinizi hareketli parçalardan uzak tutun. *Bol giysiler, takılar veya uzun saçlar hareketli parçalara takılabilir.*

- g) Toz emme ve toplama tesislerinin bağlanması için cihazlar sağlanmışsa, bunların bağlandığından ve uygun şekilde kullanıldığından emin olun. *Toz toplama kullanımı tozla ilgili tehlikeleri azaltabilir.*
- h) Aletlerin sık kullanımından kaynaklanan aşınalığın kayıtsız kalmanıza ve alet güvenliği ilkelerini göz ardı etmenize izin vermesine izin vermeyin. *Dikkatsiz bir hareket saniyenin çok küçük bir bölümünde ciddi yaralanmalara neden olabilir.*

#### 4. ELEKTRİKLİ EL ALETİ KULLANIMI VE BAKIMI

- a) Elektrikli aleti zorlamayın. Uygulamanız için doğru elektrikli aleti kullanın. *Doğru elektrikli el aleti, tasarlandığı hızda işi daha iyi ve daha güvenli yapacaktır.*
- b) Şalter aleti açıp kapatmıyorsa aleti kullanmayınız. *Şalter ile kontrol edilemeyen elektrikli aletler tehlikelidir ve onarılmalıdır.*
- c) Herhangi bir ayarlama yapmadan, aksesuarları değiştirmeden veya elektrikli aletleri depolamadan önce fişi güç kaynağından ve/veya akü paketini elektrikli aletten ayırın. *Bu tür önleyici güvenlik önlemleri elektrikli aletin yanlışlıkla çalıştırılma riskini azaltır.*
- d) Kullanılmayan elektrikli aletleri çocukların erişemeyeceği yerlerde saklayın ve elektrikli aleti veya bu talimatları bilmeyen kişilerin kullanımına izin vermeyin elektrikli aleti çalıştırmak için. *Elektrikli aletler eğitimsiz kullanıcıların elinde tehlikelidir.*
- e) Elektrikli aletlerin bakımını yapın. Hareketli parçaların yanlış hizalanmasını veya sıkışmasını, parçaların kırılmasını ve elektrikli aletin çalışmasını etkileyebilecek diğer durumları kontrol edin. *Eğer hasarlıysa elektrikli aleti kullanmadan önce onarın. Birçok kazaya bakımı iyi yapılmamış elektrikli aletler neden olmaktadır.*
- f) Kesici aletleri keskin ve temiz tutun. *Keskin kesici kenarlara sahip, bakımı düzgün yapılmış kesici aletlerin bağlanması olasılığı daha düşüktür ve kontrol edilmeleri daha kolaydır.*
- g) Elektrikli el aletini, aksesuarları ve alet uçlarını vs. bu talimatlara uygun olarak, çalışma koşullarını ve yapılacak işi dikkate alarak kullanınız. *Elektrikli el aletinin*

*öngörülenden farklı amaçlarla kullanılması tehlikeli durumlara yol açabilir.*

- h) Tutamakları ve kavrama yüzeylerini kuru, temiz ve yağsız ve gressiz tutun. *Kaygan tutamaklar ve kavrama yüzeyleri, beklenmedik durumlarda aletin güvenli bir şekilde kullanılmasına ve kontrol edilmesine izin vermez.*

#### 5. AKÜ ALETİNİN KULLANIMI VE BAKIMI

- a) Yalnızca üretici tarafından belirtilen şarj cihazıyla şarj edin. *Bir tip pil takımı için uygun olan bir şarj cihazı, başka bir pil takımı ile kullanıldığında yangın riski oluşturabilir.*
- b) Elektrikli el aletlerini sadece özel olarak belirlenmiş akü paketleri ile kullanın. *Başka akü paketlerinin kullanılması yaralanma ve yangın riski oluşturabilir.*
- c) Pil takımı kullanılmadığında, bir terminalden diğerine bağlantı yapabilecek ataç, bozuk para, anahtar, çivi, vida veya diğer küçük metal nesnelere gibi diğer metal nesnelere uzak tutun. *Pil terminallerinin birbirine kısa devre yapması yanıklara veya yangına neden olabilir.*
- d) Kötü koşullar altında aküden sıvı çıkabilir; temastan kaçının. *Kazara temas olursa, suyla yıkayın. Sıvı gözlerle temas ederse, ayrıca tıbbi yardım alın. Aküden çıkan sıvı tahrişe veya yanıklara neden olabilir.*
- e) Hasarlı veya modifiye edilmiş bir akü paketini veya aleti kullanmayın. *Hasarlı veya modifiye edilmiş aküler yangın, patlama veya yaralanma riski ile sonuçlanabilecek öngörülemez davranışlar sergileyebilir.*
- f) Pil takımını veya aleti ateşe veya aşırı sıcaklığa maruz bırakmayın. *Ateşe maruz kalma veya 130°C'nin üzerindeki sıcaklık patlamaya neden olabilir.*
- g) Tüm şarj talimatlarına uyun ve akü paketini veya aleti talimatlarda belirtilen sıcaklık aralığının dışında şarj etmeyin. *Uygun olmayan şekilde veya Belirtilen aralığın dışındaki sıcaklıklar aküye zarar verebilir ve yangın riskini artırabilir.*

#### 6. SERVİS

- a) Elektrikli aletinizin bakımını sadece aynı yedek parçaları kullanarak kalifiye bir onarım personeline yaptırın. *Bu, elektrikli*

## AKÜLÜ KILIÇ TESTERE

*aletin güvenliğinin korunmasını sağlayacaktır.*

- b) Hasarlı akü paketlerine asla servis uygulamayın. Akü paketlerinin servisi yalnızca üretici veya yetkili servis sağlayıcılar tarafından yapılmalıdır.**

## PIŞTONLU TESTERE GÜVENLİK UYARILARI

- 1. Kesme aksesuarının gizli kablolarla temas edebileceği bir işlem gerçekleştirirken pistonlu testereyi yalıtımlı kavrama yüzeylerinden tutun. Temas eden kesme aksesuarı "akımlı" bir kablo, elektrikli aletin açığındaki metal parçalarını "akımlı" hale getirebilir ve operatöre elektrik çarpmasına neden olabilir.**
- 2. İş parçasını sabit bir platforma sabitlemek ve desteklemek için kelepçeler veya başka bir pratik yol kullanın. İş elinizle veya vücudunuza yaslayarak tutmak dengesiz kalmasına ve kontrolün kaybedilmesine neden olabilir.**

## SEMBOLLER



Yaralanma riskini azaltmak için kullanıcı kullanım kılavuzunu okumalıdır



Uyarı



Kulak koruması takın



Göz koruması kullanın



Toz maskesi takın



Atık elektrikli ürünler evsel atıklarla birlikte atılmamalıdır. Lütfen tesislerin bulunduğu yerlerde geri dönüştürün. Kontrol edin geri dönüşüm tavsiyesi için yerel yetkililere veya perakendecinize başvurun.



## BİLEŞEN LİSTESİ

1. BIÇAK
2. PIVOT AYAK PLAKASI
3. ALETSİZ BIÇAK KELEPÇESİ KOLU
4. AÇMA/KAPAMA ŞALTERİ
5. KİLİT DÜĞMESİ
6. AKÜ PAKETİ*
7. PİL TAKIMI SERBEST BIRAKMA DÜĞMESİ*
8. AYAK PLAKASI AYAR KOLU

\* Resimde gösterilen veya açıklanan tüm aksesuarlar standart teslimata dahil değildir.

## TEKNİK BİLGİLER

Tip RS20S-20 (20S-20-makine tanımı, pistonlu testereyi temsil eder)

Gerilim	18V $\equiv$ (20V Maks.)	
Yüksüz hız	0-3000 /dak	
Strok uzunluğu	20mm	
Kesme kapasitesi maks.	Ahşap	100mm
	Çelik	10mm
Makine ağırlığı (aküsüz)	1.73kg	

## UYGUN BATARYA PAKETLERİ

Ürün numarası	BI20-2	BI20-4
Akü kapasitesi	2.0Ah	4.0Ah
	Dahil değildir	Tavsiye edilir (Dahil değildir)

## UYGUN ŞARJ CİHAZLARI

Ürün numarası	C20-2	C20-4
Şarj cihazı girişi	100-240V~50/60Hz, 55W	100-240V~50/60Hz, 95W
Şarj cihazı çıkışı	20V $\equiv$ 2.0A	20V $\equiv$ 4.0A
Şarj süresi (yaklaşık)	1 saat (2.0 Ah) 2 saat (4.0 Ah)	30 dakika (2.0 Ah) 60 dakika (4.0 Ah)
Şarj cihazı koruma sınıfı	$\square$ /II	$\square$ /II
	Dahil değildir	Dahil değildir

## AKÜLÜ KILIÇ TESTERE

### GÜRÜLTÜ BİLGİSİ

Ağırlıklı ses basıncı	$L_{pA}$ : 84dB (A)
Ağırlıklı bir ses gücü	$L_{wA}$ : 92dB (A)
$K_{pA}$ & $K_{wA}$	5dB (A)
<b>Kulak koruması takın.</b>	

### TİTREŞİM BİLGİLERİ

Titreşim toplam değerleri (üç eksenli vektör toplamı) EN 62841'e göre belirlenmiştir:	
Kesme tahtaları	Titreşim emisyon değeri: $a_{h,B} = 16,7 \text{ m/s}^2$
	Belirsizlik $K = 1.5\text{m/s}^2$
Ahşap kirişlerin kesilmesi	Titreşim emisyon değeri: $a_{h,WB} = 18,6 \text{ m/s}^2$
	Belirsizlik $K = 1.5\text{m/s}^2$

Beyan edilen toplam titreşim değeri ve beyan edilen gürültü emisyon değeri standart bir test yöntemine göre ölçülmüştür ve bir aleti diğeriyle karşılaştırmak için kullanılabilir. Beyan edilen titreşim toplam değeri ve beyan edilen gürültü emisyon değeri, maruziyetin ön değerlendirmesinde de kullanılabilir.

**UYARI:** Elektrikli el aletinin gerçek kullanımı sırasındaki titreşim ve gürültü emisyonları, aletin kullanım şekline ve özellikle ne tür bir elektrikli el aletinin kullanıldığına bağlı olarak beyan edilen değerden farklı olabilir. İş parçasının işlenmesi, aşağıdaki örneklerle ve takımın nasıl kullanıldığına ilişkin diğer varyasyonlara bağlıdır. Aletin nasıl kullanıldığı ve kesilen veya delinen malzemeler. Aletin iyi durumda olması ve bakımının iyi yapılması. Alet için doğru aksesuarın kullanılması ve aksesuarın keskin ve iyi durumda olduğundan emin olunması. Tutamaklardaki kavramanın sıklığı ve titreşim ve gürültü önleyici aksesuarların kullanılıp kullanılmadığı. Aletin tasarımına ve bu talimatlara uygun olarak kullanılıp kullanılmadığı.

**Bu alet uygun şekilde kullanılmazsa el-kol titreşim sendromuna neden olabilir.**

**UYARI:** Doğru olması için, gerçek kullanım koşullarında maruz kalma seviyesinin tahmini, aletin kullanımda olduğu zamanlar gibi çalışma döngüsünün tüm bölümlerinde de dikkate alınmalıdır.

kapalıyken ve boşta çalışırken ama aslında iş yapmıyorken. Bu önemli ölçüde azaltılabilir toplam çalışma süresi boyunca maruz kalma seviyesi.

Titreşim ve gürültüye maruz kalma riskinizi en aza indirmeye yardımcı olur. Her zaman keskin keskiner, matkaplar ve bıçaklar kullanın.

Bu aletin bakımını bu talimatlara uygun olarak yapın ve iyi yağlanmış halde tutun (uygunsa).

Alet düzenli olarak kullanılacaksa titreşim ve gürültü önleyici aksesuarlara yatırım yapın. Yüksek titreşimli alet kullanımını birkaç güne yaymak için çalışma programınızı planlayın.

### AKSESUARLAR

Ahşap kesme bıçağı	1
Metal kesme bıçağı	1

Aksesuarlarınızı size aleti satan mağazadan satın almanızı öneririz. Daha fazla bilgi için aksesuar ambalajına bakın. Mağaza personeli size yardımcı olabilir ve tavsiyelerde bulunabilir.

## İŞLETİM TALİMATLAR



**NOT:** Aleti kullanmadan önce talimat kitabını dikkatlice okuyun.

### AMAÇLANAN KULLANIM

Makine, ahşap, plastik, yumuşak metal ve yapı malzemelerini iş parçasına sıkıca yaslanarak kesmek için tasarlanmıştır. Düz ve kavisli kesimler için uygundur.

### MONTAJ

#### 1. ALETSİZ BIÇAK TAKMA VE ÇIKARMA (BKZ. ŞEKİL A1, A2)

- 1) Aletsiz bıçak kelepçesi kolunu saat yönünün tersine maksimum açısına döndürün ve tutun.
- 2) Bıçak sapını, durana kadar bıçak muhafazasından geçerek bıçak kelepçesine sokun. Bıçaktaki küçük deliğin kelepçedeki pimin üzerinde olduğundan emin olun.
- 3) Aletsiz bıçak kelepçesi kolunu serbest bırakın. Kelepçe kolu otomatik olarak orijinal konumuna geri dönecektir.
- 4) Yerine kilitletiğinden emin olmak için bıçağı yukarı çekin. Bir bıçağı çıkarmak için, bu talimatları ters sırayla uygulayın.

**UYARI: Bıçak dişleri çok keskindir. Daima koruyucu eldiven giyin. En iyi kesim sonuçları için ihtiyacınız olan malzemeye ve kesim kalitesine uygun bir testere bıçağı kullandığınızdan emin olun.**

#### 2. AYAK PLAKASI AYARI (BKZ. ŞEKİL B)

Ayak plakasının konumunu bıçak uzunluğuna ve iş parçası kalınlığına göre ayarlayın; her zaman bıçağın strok boyunca iş parçasının ötesine uzandığından emin olun.

#### - Ayak plakası açılı ayarı

Pivot ayak plakası, yüzeyinin büyük bir kısmını çalışma yüzeyi ile temas halinde tutmak için eğilir. Ayarlamak için testereyi sıkıca tutun ve pivot ayak plakasını istediğiniz konuma çevirin.

#### 3. KESME DERİNLİĞİ AYARI (BKZ. ŞEKİL C1, C2)

Aletinizin kesme kapasitesini (kesme derinliği) azaltmanız gerekiyorsa, pivot ayak plakası

aşağıdaki gibi ayarlanabilir.

- 1) Ayak plakası ayar kolunu şu şekilde gevşetin ön muhafazanın alt tarafına doğru aşağı doğru çevirin.
- 2) Döner ayak plakasını ileri veya geri kaydırarak istenen konuma getirin.
- 3) Ayak plakası ayar kolunu yukarı doğru orijinal konumuna çevirerek sıkın. Ayak plakasının sıkıca kilitletiğini kontrol edin.

### ÇALIŞTIRMADAN ÖNCE

#### 1. PİL TAKIMINI ÇIKARMA VE TAKMA (ÜRÜNLE BİRLİKTE VERİLMEMİŞTİR) (BKZ. ŞEKİL D1, D2)

Akü paketini çıkarmak için önce akü paketi açma düğmesine sıkıca basın, ardından akü paketini kaydırarak aletinizden çıkarın. Akü paketini takmak için tam şarjlı akü paketini, yerine oturana kadar yeterli güçle aletin üzerine kaydırın.

### OPERASYON

#### 1. GÜVENLİK AÇMA/KAPAMA DÜĞMESİ (BKZ. ŞEKİL E)

Açma/kapama düğmesini kilitlemek için kilit düğmesini orta konuma getirin. Bu, kullanılmadığında kazara çalıştırma olasılığını azaltmaya yardımcı olur. Kilit düğmesine sola veya sağa doğru basın, ardından açma/kapama düğmesine basın ve kilit düğmesini bırakın. Anahtarınız artık açıktır. Kapatmak için açma/kapama düğmesini bırakmanız yeterlidir. **NOT:** Ürün açıldığında LED ışık çalışma bölgesini otomatik olarak aydınlatacaktır.



**UYARI:** Doğrudan LED ışığına bakmayın!

#### 2. DEĞİŞKEN HIZ KONTROLÜ (BKZ. ŞEKİL F)

Açma/kapama anahtarı aynı zamanda değişken hız kontrollü bir tetik anahtarıdır. Bıçak pistonu strok hızı, açma/kapama anahtarına uyguladığınız basınçla minimumdan maksimuma ayarlanabilir.

Hızı artırmak için daha fazla basınç uygulayın ve hızı azaltmak için basıncı bırakın.

#### 3. EL KAVRAMA ALANLARI (BKZ. ŞEKİL G)

Çalışırken testerenizi her zaman iki elinizle sıkıca tutun.

## AKÜLÜ KILIÇ TESTERE

### 4. DALDIRMALI KESİM (BKZ. ŞEKİL H)



**UYARI:** Daldırmalı kesim prosedürü sadece ahşap, alçı levha veya benzeri yumuşak malzemelerin işlenmesi için uygundur! Daldırmalı kesme prosedürü ile yumuşak metal malzemeler üzerinde çalışmayın!

Daldırmalı kesim için sadece kısa testere bıçakları kullanın. Testereyi, bıçak ayağının kenarı iş parçasının üzerine gelecek şekilde yerleştirin ve açın. Strok hızı kontrollü elektrikli aletler için maksimum strok hızını ayarlayın. Testereyi iş parçasına sıkıca bastırın ve testere bıçağının iş parçasına yavaşça dalmasına izin verin. Bıçak ayağı iş parçasının yüzeyine tam olarak oturur oturmaz, istenen kesme çizgisi boyunca kesmeye devam edin. Belirli işler için testere bıçağı 180° döndürülerek de takılabilir ve kılıç testere buna göre ters yönde yönlendirilebilir.

### 5. GÖMME KESİM (BKZ. ŞEKİL I)



**UYARI:** Testere bıçağının her zaman çalışılan malzemenin çapı. Geri tepme tehlikesi vardır.

Zeminlere, duvarlara ve diğer zor alanlara son derece yakın kesimler yapmak mümkündür. Bıçak gövdesini, bıçak dişleri yukarı bakacak şekilde (normal çalışma konumunun tersi) bıçak kaskacına yerleştirin. Bu, çalışma yüzeyine daha yakın kesimler yapacaktır. Özel esnek bıçaklar kullanarak bıçağı, bıçak dişleri aşağı bakacak şekilde bıçak kelepçesine yerleştirin (normal çalışma konumu). Bu, boruların aynı hizada kesilmesini sağlayacaktır.

### 6. AHŞAP KESİMİ

Hareketi önlemek için ahşabın her zaman sıkıca kenetlendiğinden emin olun. Daha kolay kontrol için kesmeye başlarken düşük hız kullanın, ardından doğru hıza yükseltin.

### 7. METAL KESİMİ

Bu testere, kullanılan bıçağın türüne ve kesilen metale bağlı olarak farklı metal kesme kapasitelerine sahiptir.

Kaymasını önlemek için işi her zaman kelepçeleysin.

Demir içeren metaller için daha ince bir bıçak, demir içermeyen metaller için ise daha kaba bir bıçak kullanın.

İnce sac metalleri keserken, her zaman sacın

her iki tarafına da ahşap sıkıştırın. Bu size aşırı titreşim olmadan temiz bir kesim sağlayacaktır veya metalin yırtılması.

Kesme bıçağını zorlamayın. Bıçağı zorlamak bıçak ömrünü kısaltır ve bıçağın kırılmasına neden olur.

**NOT:** Testerenin önündeki kesim hattı boyunca ince bir yağ tabakası veya başka bir soğutma sıvısı yaymanızı öneririz. Bu, daha kolay çalışmayı sağlayacak ve bıçak ömrünü uzatmaya yardımcı olacaktır. Alüminyum keserken gazyağı kullanın.

### 8. CEP KESİMİ (SADECE YUMUŞAK MALZEMELER. METAL YÜZEYLERDE DALDIRMALI KESİM YAPMAYIN) (BKZ. ŞEKİL J)

Kesilecek cebi veya iç deliği işaretleyin. Özel kesme bıçağını, bıçak dişleri aşağı bakacak şekilde yerleştirin ve sıkıca kelepçeleysin. Testereyi, bıçak muhafazasının arka kenarı çalışma yüzeyine dayanacak şekilde eğin. Bıçağın kırılmasını önlemek için kesime başlarken yavaş bir hız kullanın ancak kesim tamamlandığında doğru hıza yükseltin. Başlayın. Bıçak muhafazası çalışma yüzeyine sıkıca tutturulmuş haldeyken, testereyi yavaş ama kontrollü bir şekilde yukarı doğru sallamaya başlayın. Bıçak malzemenin içine ve içinden kesecektir. Cebin kalan kısmını kesmeden önce her zaman bıçağın malzemeyi tamamen geçtiğinden emin olun.

## PANTER TESTERENİZ İÇİN ÇALIŞMA İPUÇLARI

Panter testereniz çok ısırırsa, hızı maksimuma ayarlayın ve motoru soğutmak için 2-3 dakika yüksüz çalıştırın.

Hareketi önlemek için her zaman iş parçasının sıkıca tutulduğundan veya kelepçelendiğinden emin olun. Pivot



Testere titreşimini, bıçak atlamasını ve bıçak kırılmasını azaltmak için ayak plakası kesilen malzemeye sıkıca tutulmalıdır.

## BAKIM

**Herhangi bir ayarlama, servis veya bakım yapmadan önce aküyü çıkarın.**

Aletiniz ek yağlama veya bakım gerektirmez. Elektrikli el aletinizde kullanıcı tarafından bakımı yapılabilecek hiçbir parça yoktur. Elektrikli el aletinizi temizlemek için asla su veya kimyasal temizleyiciler kullanmayın. Kuru bir bezle silerek temizleyin. Elektrikli el aletinizi daima kuru bir yerde saklayın. Motor havalandırma deliklerini temizleyin. Tüm çalışma kontrollerini tozdan uzak tutun. Ara sıra havalandırma deliklerinden kıvılcım çıktığını görebilirsiniz. Bu normaldir ve elektrikli el aletinize zarar vermez.

## ÇEVRE KORUMA

 Atık elektrikli ürünler evsel atıklarla birlikte atılmamalıdır. Lütfen tesislerin  bulunduğu yerlerde geri dönüşüm yapın. Geri dönüşüm tavsiyeleri için yerel yetkililere veya perakendecinize danışın.

## AKÜLÜ KILIÇ TESTERE

# EC Uygunluk Beyanı



Biz :

**HYUNDAI Corporation Holdings Europe**Am Kronberger Hang 2A, 65824, Schwalbach am Taunus  
GermanyAşağıda ayrıntıları verilen ürünün :  
**Akülü Kılıç Testere****MODEL: RS20S-20****İŞLEV: Çeşitli malzemelerin kesilmesi**Konsey Direktiflerinin gerekliliklerini karşılar :  
2006/42/EC, 2011/65/EU & (EU)2015/863, 2014/30/EUStandartlara Uygunluk :  
EN 62841-1, EN 62841-2-11,  
EN IEC 55014-1, EN IEC 55014-2,  
EN IEC 63000**Teknik dosyayı düzenlemeye yetkili kişi,**  
**İsim: Hyundae Kim**  
**Adres : HYUNDAI Corporation Holdings Europe**  
**65824 Schwalbach am Taunus, Germany**

Genel Müdür

Jaiwon Hur

Proje Müdürü

Sungwoo Hong

Tarih : 2024.09.25



**HYUNDAI**  
POWER PRODUCTS



## **HYUNDAI Corporation Holdings**

25, Yulgok-ro 2-gil, Jongno-gu, Seoul 03143, Korea

Post Code: 03143

+82 2 390 1114

[www.hyundaicorpholdings.com](http://www.hyundaicorpholdings.com)