

HYUNDAI
POWER PRODUCTS

CORDLESS IMPACT WRENCH

AKKU-SCHLAGSCHRAUBER

CLÉ À CHOCS SANS FIL

AVVITADRE A PERCUSSIONE A BATTERIA

LLAVE DE IMPACTO SIN CABLE

ACCU SLAGMOERSLEUTEL

CHEIE CU IMPACT FĂRĂ FIR

AKKUMULÁTOROS ÜTVECSAVARÓZÓ 1/2"

MÁY SIẾT BU LÔNG DÙNG PIN

БЕЗЖИЧЕН УДАРЕН ОДВРТУВАЧ

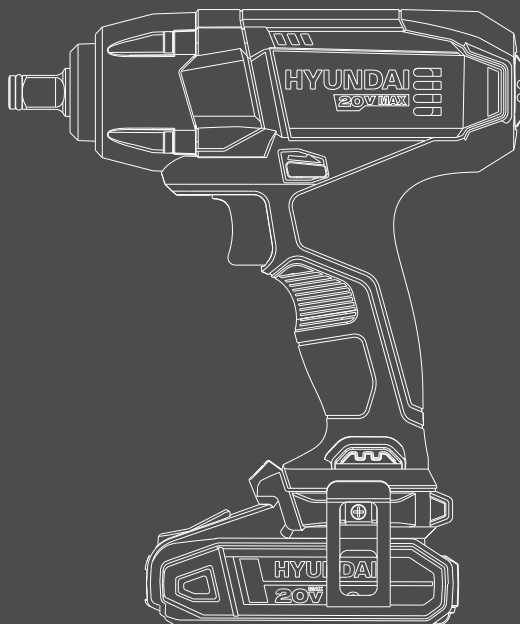
AKÜLÜ DARBELİ SOMUN SIKMA ANAHTARI

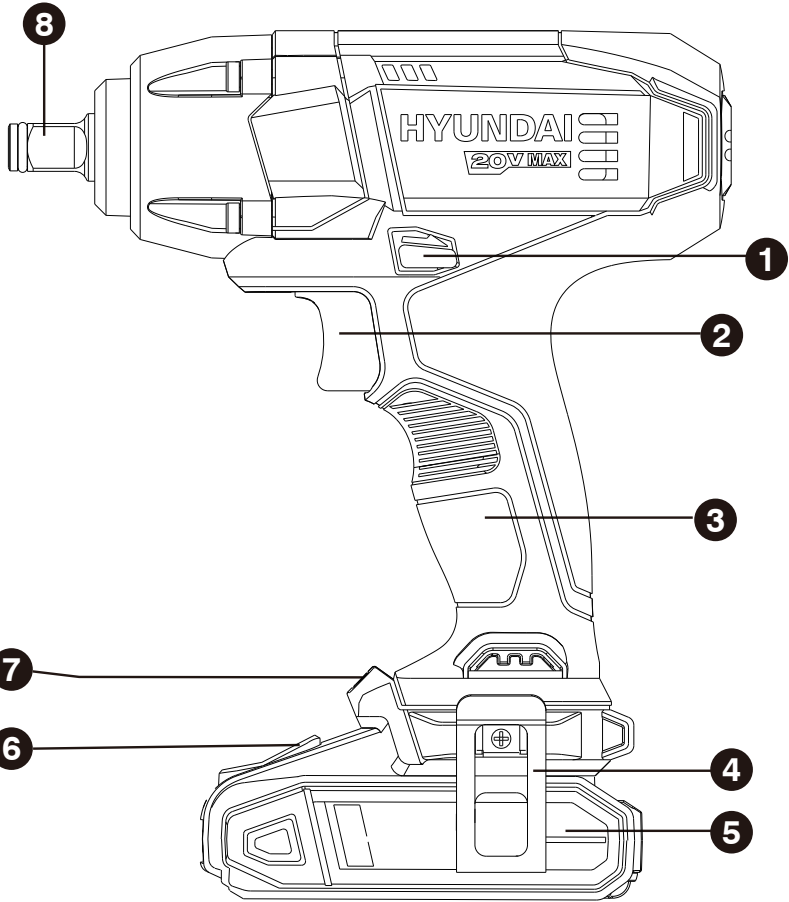
IW20S-250 IW20S-250T2T

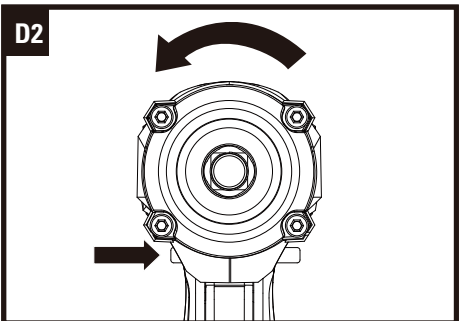
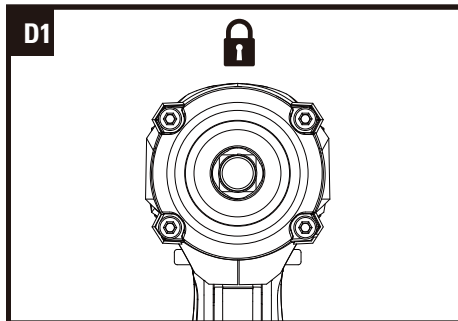
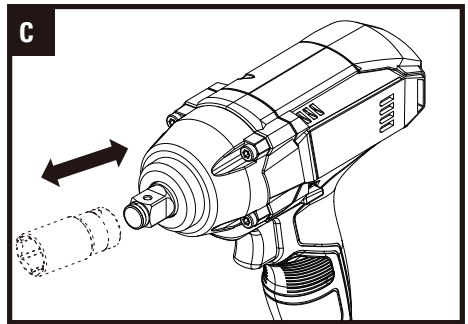
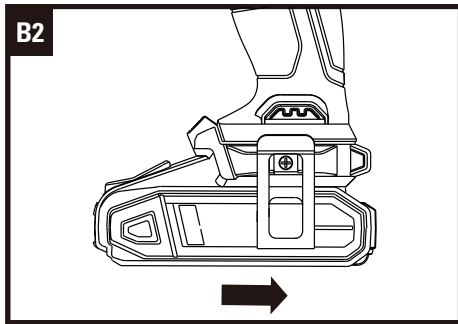
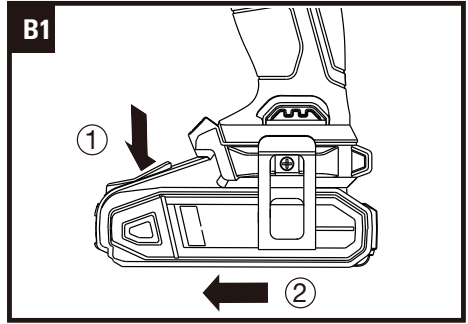
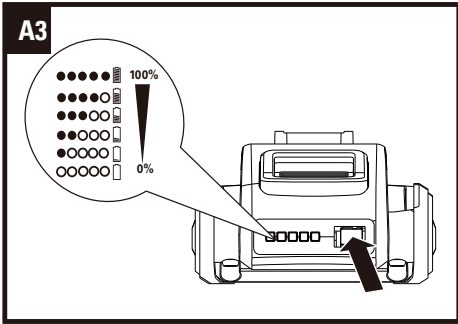
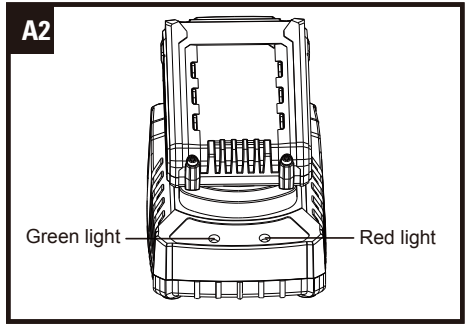
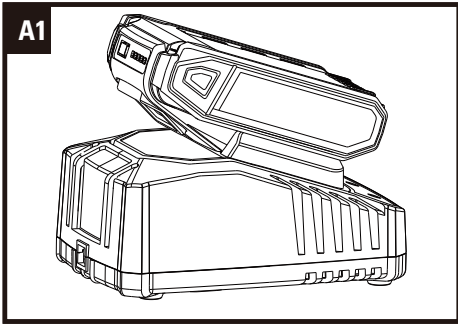
**User Manual/Benutzerhandbuch/Manuel de l'utilisateur/Manuale dell'utente
Manual del Usuario/Gebruikershandleiding/Manualul utilizatorului/Felhasználói kézikönyv
Hướng dẫn sử dụng/Упатство за користење/Kullanım kılavuzu**

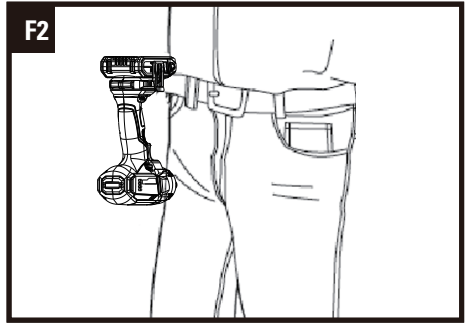
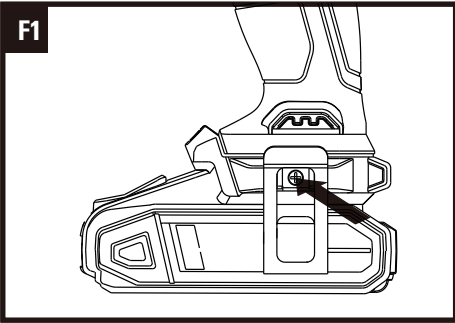
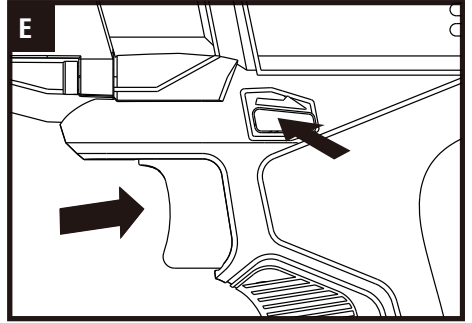
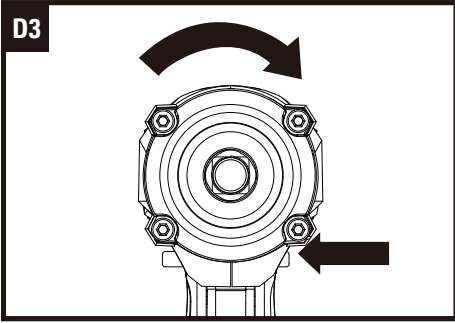


GENUINE PRODUCT OF
HYUNDAI CORPORATION









ORIGINAL INSTRUCTIONS

PRODUCT SAFETY

GENERAL POWER TOOL

SAFETY WARNINGS



WARNING! Read all safety warnings, instructions, illustrations and

specifications provided with this power tool. *Failure to follow all instructions listed below may result in electric shock, fire and/or serious injury.*

Save all warnings and instructions for future reference.

The term "power tool" in the warnings refers to your mains-operated (corded) power tool or battery-operated (cordless) power tool.

1. WORK AREA SAFETY

- a) Keep work area clean and well lit. *Cluttered or dark areas invite accidents.*
- b) Do not operate power tools in explosive atmospheres, such as in the presence of flammable liquids, gases or dust. *Power tools create sparks which may ignite the dust or fumes.*
- c) Keep children and bystanders away while operating a power tool. *Distractions can cause you to lose control.*

2. ELECTRICAL SAFETY

- a) Power tool plugs must match the outlet. Never modify the plug in any way. Do not use any adapter plugs with earthed (grounded) power tools. *Unmodified plugs and matching outlets will reduce risk of electric shock.*
- b) Avoid body contact with earthed or grounded surfaces, such as pipes, radiators, ranges and refrigerators. *There is an increased risk of electric shock if your body is earthed or grounded.*
- c) Do not expose power tools to rain or wet conditions. *Water entering a power tool will increase the risk of electric shock.*
- d) Do not abuse the cord. Never use the cord for carrying, pulling or unplugging the power tool. Keep cord away from heat, oil, sharp edges or moving parts. *Damaged or entangled cords increase the risk of electric shock.*
- e) When operating a power tool outdoors, use an extension cord suitable for outdoor use. *Use of a cord suitable for outdoor use reduces the risk of electric shock.*
- f) If operating a power tool in a damp location is unavoidable, use a residual current device (RCD) protected supply. *Use of an RCD reduces the risk of electric shock.*

3. PERSONAL SAFETY

- a) Stay alert, watch what you are doing and use common sense when operating a power tool. Do not use a power tool while you are tired or under the influence of drugs, alcohol or medication. *A moment of inattention while operating power tools may result in serious personal injury.*
- b) Use personal protective equipment. Always wear eye protection. *Protective equipment such as dust mask, non-skid safety shoes, hard hat, or hearing protection used for appropriate conditions will reduce personal injuries.*
- c) Prevent unintentional starting. Ensure the switch is in the off-position before connecting to power source and/or battery pack, picking up or carrying the tool. *Carrying power tools with your finger on the switch or energising power tools that have the switch on invites accidents.*
- d) Remove any adjusting key or wrench before turning the power tool on. *A wrench or a key left attached to a rotating part of the power tool may result in personal injury.*
- e) Do not overreach. Keep proper footing and balance at all times. *This enables better control of the power tool in unexpected situations.*
- f) Dress properly. Do not wear loose clothing or jewellery. Keep your hair, clothing and gloves away from moving parts. *Loose clothes, jewellery or long hair can be caught in moving parts.*
- g) If devices are provided for the connection of dust extraction and collection facilities, ensure these are connected and properly used. *Use of dust collection can reduce dust-related hazards.*
- h) Do not let familiarity gained from frequent use of tools allow you to become complacent and ignore tool safety principles. *A careless action can cause severe injury within a fraction of a second.*

4. POWER TOOL USE AND CARE

- a) Do not force the power tool. Use the correct power tool for your application. *The correct power tool will do the job better and safer at the rate for which it was designed.*
- b) Do not use the power tool if the switch does not turn it on and off. *Any power tool that cannot be controlled with the switch is dangerous and must be repaired.*
- c) Disconnect the plug from the power source and/or the battery pack from the power tool before making any adjustments, changing

CORDLESS IMPACT WRENCH

accessories, or storing power tools. *Such preventive safety measures reduce the risk of starting the power tool accidentally.*

- d) Store idle power tools out of the reach of children and do not allow persons unfamiliar with the power tool or these instructions to operate the power tool. *Power tools are dangerous in the hands of untrained users.*
- e) Maintain power tools. Check for misalignment or binding of moving parts, breakage of parts and any other condition that may affect the power tool's operation. If damaged, have the power tool repaired before use. *Many accidents are caused by poorly maintained power tools.*
- f) Keep cutting tools sharp and clean. *Properly maintained cutting tools with sharp cutting edges are less likely to bind and are easier to control.*
- g) Use the power tool, accessories and tool bits etc. in accordance with these instructions, taking into account the working conditions and the work to be performed. *Use of the power tool for operations different from those intended could result in a hazardous situation.*
- h) Keep handles and grasping surfaces dry, clean and free from oil and grease. *Slippery handles and grasping surfaces do not allow for safe handling and control of the tool in unexpected situations.*

5. BATTERY TOOL USE AND CARE

- a) Recharge only with the charger specified by the manufacturer. *A charger that is suitable for one type of battery pack may create a risk of fire when used with another battery pack.*
- b) Use power tools only with specifically designated battery packs. *Use of any other battery packs may create a risk of injury and fire.*
- c) When battery pack is not in use, keep it away from other metal objects, like paper clips, coins, keys, nails, screws or other small metal objects, that can make a connection from one terminal to another. *Shorting the battery terminals together may cause burns or a fire.*
- d) Under abusive conditions, liquid may be ejected from the battery; avoid contact. If contact accidentally occurs, flush with water. If liquid contacts eyes, additionally seek medical help. *Liquid ejected from the battery may cause irritation or burns.*
- e) Do not use a battery pack or tool that is damaged or modified. *Damaged or modified batteries may exhibit unpredictable behaviour resulting in fire, explosion or risk of injury.*
- f) Do not expose a battery pack or tool to

fire or excessive temperature. *Exposure to fire or temperature above 130°C may cause explosion.*

- g) Follow all charging instructions and do not charge the battery pack or tool outside the temperature range specified in the instructions. *Charging improperly or at temperatures outside the specified range may damage the battery and increase the risk of fire.*
- ### 6. SERVICE
- a) Have your power tool serviced by a qualified repair person using only identical replacement parts. *This will ensure that the safety of the power tool is maintained.*
 - b) Never service damaged battery packs. *Service of battery packs should only be performed by the manufacturer or authorized service providers.*

IMPACT WRENCH SAFETY WARNINGS

1. Hold the power tool by insulated gripping surfaces, when performing an operation where the fastener may contact hidden wiring. *Fasteners contacting a "live" wire may make exposed metal parts of the power tool "live" and could give the operator an electric shock.*

SAFETY WARNINGS FOR BATTERY PACK

- a) Do not dismantle, open or shred cells or battery pack.
- b) Do not short-circuit a battery pack. Do not store battery packs haphazardly in a box or drawer where they may short-circuit each other or be short-circuited by conductive materials. When battery pack is not in use, keep it away from other metal objects, like paper clips, coins, keys, nails, screws or other small metal objects, that can make a connection from one terminal to another. Shorting the battery terminals together may cause burns or a fire.
- c) Do not expose battery pack to heat or fire. Avoid storage in direct sunlight.
- d) Do not subject battery pack to mechanical shock.
- e) In the event of battery leaking, do not

allow the liquid to come into contact with the skin or eyes. If contact has been made, wash the affected area with copious amounts of water and seek medical advice.

- f) Keep battery pack clean and dry.
- g) Wipe the battery pack terminals with a clean dry cloth if they become dirty.
- h) Battery pack needs to be charged before use. Always refer to this instruction and use the correct charging procedure.
- i) Do not maintain battery pack on charge when not in use.
- j) After extended periods of storage, it may be necessary to charge and discharge the battery pack several times to obtain maximum performance.
- k) Recharge only with the charger specified by manufacturer. Do not use any charger other than that specifically provided for use with the equipment.
- l) Do not use any battery pack which is not designed for use with the equipment.
- m) Keep battery pack out of the reach of children.
- n) Retain the original product literature for future reference.
- o) Remove the battery from the equipment when not in use.
- p) Dispose of properly.
- q) Do not mix cells of different manufacture, capacity, size or type within a device.
- r) Keep the battery away from microwaves and high pressure.
- s) Warning! Do not use non-rechargeable batteries.

SAFETY WARNINGS FOR CHARGER



WARNING! Read all safety warnings and all instructions. *Failure to follow all instructions listed below may result in electric shock, fire and/or serious injury.*

Save all warnings and instructions for future reference.

This appliance can be used by children aged from 8 years and above and persons with reduced physical, sensory or mental capabilities

or lack of experience and knowledge if they have been given supervision or instruction concerning use of the appliance in a safe way and understand the hazards involved. Children shall not play with the appliance. Cleaning and user maintenance shall not be made by children without supervision.

If the supply cord is damaged, it must be replaced by the manufacturer, its service agent or similarly qualified persons in order to avoid a hazard.

1. Before charging, read the instructions.
2. Do not charge a leaking battery.
3. Do not use chargers for works other than those for which they are designed.
4. Before charging, ensure your charger is matching the local AC supply.
5. For indoor use, or do not expose to rain.
6. The charging device must be protected from moisture.
7. Do not use the charging device outdoors.
8. Do not short out the contacts of battery or charger.
9. Respect the polarity “+/-“ when charging.
10. Do not open the unit and keep it out of the reach of children.
11. Do not charge the batteries of other manufactures or ill-suited models .
12. Ensure that the connection between the battery charger and battery is correctly positioned and is not obstructed by foreign bodies.
13. Keep battery charger's slots free of foreign objects and protect against dirt and humidity. Store in a dry and frost-free place.
14. When charging batteries, ensure that the battery charger is in a well-ventilated area and away from inflammable materials. Batteries can get hot during charging. Do not overcharge any batteries. Ensure that batteries and chargers are not left unsupervised during charging.
15. Do not recharge non-rechargeable batteries, as they can overheat and break.
16. Longer life and better performance can be obtained if the battery pack is charged when the air temperature is between 18°C and 24°C. Do not charge the battery pack in air temperatures below 0°C, or above 40°C. This is important as it can prevent serious

CORDLESS IMPACT WRENCH

damage to the battery pack.

17. Charge only battery pack of the same model provided by manufacturer and of models recommended by manufacturer.

SYMBOLS



To reduce the risk of injury, user must read instruction manual



Warning



Wear ear protection



Wear eye protection



Wear dust mask



Waste electrical products must not be disposed of with household waste. Please recycle where facilities exist. Check with your local authorities or retailer for recycling advice.



Read operator's manual



For indoor use only



Positive terminal



Negative terminal



Fuse



Double insulation



Do not burn



Batteries may enter water cycle if disposed improperly, which can be hazardous for ecosystem. Do not dispose of waste batteries as unsorted municipal waste.



Li-Ion battery This product has been marked with a symbol relating to 'separate collection' for all battery packs and battery pack. It will then be recycled or dismantled in order to reduce the impact on the environment. Battery packs can be hazardous for the environment and for human health since they contain hazardous substances.

RCM marking.

ABN: Australian Business Number. By this number, business information such as entity type, status, business location etc. can be found at website <http://abr.business.gov.au>.



ABN of Positec Australia Pty Limited is 14 101 682 357.

COMPONENT LIST

1. FORWARD/REVERSE ROTATION CONTROL
2. ON/OFF SWITCH
3. SOFT GRIP HANDLE
4. BELT CLIP
5. BATTERY PACK *
6. BATTERY PACK RELEASE BUTTON *
7. LED LIGHT
8. TOOL HOLDER

* Not all the accessories illustrated or described are included in standard delivery.

TECHNICAL DATA

Type IW20S-250 & IW20S-250T2T (20S-250-designation of machinery, representative of impact wrench)

	IW20S-250	IW20S-250T2T
Voltage	18V \equiv (20V Max.)	
No load speed	0-2900 /min	
Impact rate	0-3000 bpm	
Max torque	250 Nm	
Chuck size	1/2" Square	
Battery pack	/	BI20-2 (2.0Ah)
Charger	/	C20-2 (2.0A)
Machine weight	1.3kg	1.8kg

SUITABLE BATTERY PACKS

Item number	BI20-2	BI20-4
Battery capacity	2.0Ah	4.0Ah
	Included	Not included

SUITABLE CHARGERS

Item number	C20-2	C20-4
Charger input	100-240V~50/60Hz, 55W	100-240V~50/60Hz, 95W
Charger output	20V \equiv 2.0A	20V \equiv 4.0A
Charging time (approx.)	1hr (2.0 Ah) 2hrs (4.0 Ah)	30mins (2.0 Ah) 60mins (4.0 Ah)
Charger protection class	\square /II	\square /II
	Included	Not included

CORDLESS IMPACT WRENCH

NOISE INFORMATION

A weighted sound pressure	L_{pA} : 89.4dB (A)
A weighted sound power	L_{wA} : 97.4dB (A)
K_{pA} & K_{wA}	3dB (A)
Wear ear protection.	

VIBRATION INFORMATION

Vibration total values (triax vector sum) determined according to EN 62841:	
Vibration emission value:	$a_h = 12.9\text{m/s}^2$
	Uncertainty $K = 1.5\text{m/s}^2$

The declared vibration total value and the declared noise emission value have been measured in accordance with a standard test method and may be used for comparing one tool with another. The declared vibration total value and the declared noise emission value may also be used in a preliminary assessment of exposure.

WARNING: The vibration and noise emissions during actual use of the power tool can differ from the declared value depending on the ways in which the tool is used especially what kind of workpiece is processed dependant on the following examples and other variations on how the tool is used:
 How the tool is used and the materials being cut or drilled.
 The tool being in good condition and well maintained.
 The use of the correct accessory for the tool and ensuring it is sharp and in good condition.
 The tightness of the grip on the handles and if any anti vibration and noise accessories are used.
 And the tool is being used as intended by its design and these instructions.

This tool may cause hand-arm vibration syndrome if its use is not adequately managed.

WARNING: To be accurate, an estimation of exposure level in the actual conditions of use should also take account of all parts of the operating cycle such as the times when the tool is switched off and when it is running idle but not actually doing the job. This may significantly reduce the exposure level over the total working period.
 Helping to minimise your vibration and noise exposure risk.
 Always use sharp chisels, drills and blades.
 Maintain this tool in accordance with these instructions and keep well lubricated (where appropriate).
 If the tool is to be used regularly then invest in anti vibration and noise accessories.
 Plan your work schedule to spread any high vibration tool use across a number of days.

ACCESSORIES

	IW20S-250	IW20S-250T2T
Belt clip	1	1
Battery pack	/	2
Charger	/	1

We recommend that you purchase your accessories from the same store that sold you the tool. Refer to the accessory packaging for further details. Store personnel can assist you and offer advice.

OPERATING INSTRUCTIONS



NOTE: Before using the tool, read the instruction book carefully.

INTENDED USE

This tool is intended for the fastening and loosening of bolts, nuts and various threaded fasteners. This tool is not intended for use as a drill.

BEFORE PUTTING INTO OPERATION

1. TO CHARGE THE BATTERY PACK

Do not use any charger other than that specifically provided for use with the equipment.

If the battery pack is very hot you must remove your battery pack from the charger and allow time for the battery to cool down before recharging. Please charge the battery to reach full before storage. If the tool will not be used for long periods of time, charge the battery every 3 months.

- CHARGING PROCEDURE (SEE FIG. A1)

- 1) Plug the charger into an appropriate outlet. The green light will illuminate.
- 2) Slide the battery pack into the charger, make sure the battery is in the correct charge position firmly. The green light will be off and red light will illuminate to indicate the charging process has started.
- 3) When charging is completed, the red light turn off and green light will illuminate.
- 4) After fully charged, unplug the charger and remove the battery pack.

NOTE: If the battery pack is locked in the charger, press the battery pack release button and remove it.



WARNING! When battery charge runs out after continuously use or exposure to direct sunlight or heat, allow time for the tool to cool down before re-charging to achieve the full charge.

- CHARGING INDICATOR (SEE FIG. A2)

This charger is designed to detect some problems that can arise with battery packs. Indicator lights indicate problems (see table below). If this occurs, insert a new battery pack to determine if the charger is ok. If the new battery charges correctly, then the original pack

is defective and should be returned to a service center or recycling service center. If the new battery pack displays the same problem as the original battery pack, have the charger tested at an authorized service center.

Light	ON/OFF flash	Status
Red on 	—————	Charging
Red flash 	- - - - -	Defective Battery
Green on 	—————	Fully Charged
Green flash 	- - - - -	Battery too Hot/ Cold

- TO CHECK THE POWER CONDITION OF BATTERY PACK (SEE FIG. A3)

The battery level can be known from the battery indicator light by pressing the button beside the lights.

2. TO REMOVE OR INSTALL THE BATTERY PACK INTO THE TOOL (SEE FIG. B1, B2)

Depress the battery pack release button firmly first and then slide the battery pack out from your tool. Slide the fully charged battery pack onto the tool with sufficient force until it clicks into position.

3. INSTALLING OR REMOVING SOCKET ON THE TOOL HOLDER (NOT SUPPLIED) (SEE FIG. C)

To install the socket, insert the socket onto the tool holder. To remove the socket, pull the socket out of the tool holder.



WARNING: Inspect tool holders and socket carefully before using the tool. Missing or damaged items should be replaced. Make sure the switch is locked off or remove the battery pack before changing accessories.

OPERATION

1. SWITCH LOCK (SEE FIG. D1)

The on/off switch can be locked in the OFF position. This helps to reduce the possibility of accidental starting when not in use. To lock the

CORDLESS IMPACT WRENCH

EN on/off switch, place the rotation control in the center position.

2. FORWARD/ REVERSE ROTATION CONTROL (SEE FIG. D2-D3)

For forward rotation, (with chuck pointed away from you) move the rotation control to the left. For reverse rotation, (with chuck pointed away from you) move the rotation control to the right.



WARNING: Never change the direction of rotation when the chuck is rotating, wait until it is stopped!

3. OPERATING THE ON/OFF SWITCH (SEE FIG. E)

Depress to start and release to stop your tool. The on/off switch is fitted with a brake function which stops your chuck immediately when you quickly release the switch. It is also a variable speed switch that delivers higher speed and torque with increased trigger pressure. Speed is controlled by the amount of switch trigger depression.

NOTE: Only pushing the rotation control to left/right side, the on/off switch can be depressed.



WARNING: Do not operate for long periods at low speed because excess heat will be produced internally.

4. LED LIGHT INDICATOR

To turn on the light simply press the on/off switch. When you release the on/off switch, the light will be off after several seconds. LED lighting increases visibility in dark or enclosed areas.

5. HOW TO USE THE BELT CLIP (SEE FIG. F1, F2)

Screw the belt clip on the tool with the screw. The belt clip can be hooked on your belt or pocket, etc.

6. OVERLOAD PROTECTION

When overloaded, the motor comes to a stop. Relieve the load on the machine immediately and allow cooling for approx. 30 seconds at the highest no-load speed.

7. TEMPERATURE DEPENDENT OVERLOAD PROTECTION

When using as intended for the power tool cannot be subject to overload. When the load is too high or the allowable battery temperature of 75 °C is exceeded, the electronic control switches off the power tool until the temperature is in the optimum temperature range again.

MAINTENANCE

Remove the battery before carrying out any adjustment, servicing or maintenance.

Your tool requires no additional lubrication or maintenance.

There are no user serviceable parts in your power tool. Never use water or chemical cleaners to clean your power tool. Wipe clean with a dry cloth. Always store your power tool in a dry place. Keep the motor ventilation slots clean. Keep all working controls free of dust. Occasionally you may see sparks through the ventilation slots. This is normal and will not damage your power tool.

For battery tools

The ambient temperature range for the use and storage of tool and battery is 0 °C-45 °C.

The recommended ambient temperature range for the charging system during charging is 0 °C-40 °C.

TROUBLESHOOTING

1. What is the function of the forward/reverse rotating?

Forward/reverse rotating function allows you to change the direction of the motor.


The forward mode is intended for fastening. The reverse mode is intended for loosening.

2. Why does the tool not turn on when you press the switch?

The forward/reverse rotation control is positioned in the lock function. Unlock the forward/reverse rotation control by putting it into the required rotation position. Push the on/off switch and the tool will start to rotate.

ENVIRONMENTAL PROTECTION



Waste electrical products must not be disposed of with household waste. Please  recycle where facilities exist. Check with your local authorities or retailer for recycling advice.

EC Declaration of Conformity

EN



We: **HYUNDAI Corporation Holdings Europe**
Am Kronberger Hang 2A, 65824, Schwalbach am Taunus
Germany

Declare that the product detailed below :
Cordless Impact Wrench

MODEL: IW20S-250 & IW20S-250T2T
FUNCTION: Tightening and loosening screws, nuts

Satisfies the requirements of the Council Directives :
2006/42/EC, 2011/65/EU & (EU)2015/863,
2014/30/EU, (EU)2023/1542, 2014/35/EU, (EU)2023/1542, 2014/35/EU

Standards Conform to:
EN 62841-1, EN 62841-2-2, EN IEC 55014-1,
EN IEC 55014-2, EN IEC 63000, EN 62133-2,
EN 60335-1, EN 60335-2-29, EN 62233,
EN IEC 55014-1, EN IEC 55014-2, EN IEC 61000-3-2, EN 61000-3-3

The person authorized to compile the technical file,
Name : **Hyundae Kim**
Address : **HYUNDAI Corporation Holdings Europe**
65824 Schwalbach am Taunus, Germany

General Manager

Jaiwon Hur

Project Manager

Sungwoo Hong

Date : 2024.09.25

AKKU-SCHLAGSCHRAUBER

ORIGINALBETRIEBSANLEITUNG PRODUKTSICHERHEIT ALLGEMEINE SICHERHEITSHINWEISE FÜR ELEKTROWERKZEUGE



WARNUNG! Machen Sie sich mit allen Sicherheitswa nungen, Anweisungen, Abbildungen und Spezifikationen vertraut, die mit diesem Elektrowerkzeug geliefert werden.

Die Nichtbeachtung der unten aufgeführten Anweisungen kann in elektrischen Schlägen, Feuer und/oder schweren Verletzungen resultieren.

Bewahren Sie alle Sicherheitshinweise und Anweisungen für die Zukunft auf.

Der in den Sicherheitshinweisen verwendete Begriff „Elektrowerkzeug“ bezieht sich auf akkubetriebene Elektrowerkzeuge (ohne Netzkabel).

1. ARBEITSPLATZSICHERHEIT

- a) Halten Sie Ihren Arbeitsbereich sauber und gut beleuchtet. *Unordnung oder unbeleuchtete Arbeitsbereiche können zu Unfällen führen.*
- b) Arbeiten Sie mit dem Elektrowerkzeug nicht in explosionsgefährdeter Umgebung, in der sich brennbare Flüssigkeiten, Gase oder Stäube befinden. *Elektrowerkzeuge erzeugen Funken, die den Staub oder die Dämpfe entzünden können.*
- c) Halten Sie Kinder und andere Personen während der Benutzung des Elektrowerkzeugs fern. *Bei Ablenkung können Sie die Kontrolle über das Gerät verlieren.*

2. ELEKTRISCHE SICHERHEIT

- a) Der Anschlussstecker des Elektrowerkzeuges muss in die Steckdose passen. Der Stecker darf in keiner Weise verändert werden. Verwenden Sie keine Adapterstecker gemeinsam mit schutzgeerdeten Elektrowerkzeugen. *Unveränderte Stecker und passende Steckdosen verringern das Risiko eines elektrischen Schlages.*
- b) Vermeiden Sie Körperkontakt mit geerdeten Oberflächen wie von Rohren, Heizungen, Herden und Kühlschränken. *Es besteht ein erhöhtes Risiko durch elektrischen Schlag,*

wenn Ihr Körper geerdet ist.

- c) Halten Sie Elektrowerkzeuge von Regen oder Nässe fern. *Das Eindringen von Wasser in ein Elektrowerkzeug erhöht das Risiko eines elektrischen Schlages.*
- d) Zweckentfremden Sie das Kabel nicht, um das Elektrowerkzeug zu tragen, aufzuhängen oder um den Stecker aus der Steckdose zu ziehen. Halten Sie das Kabel fern von Hitze, Öl, scharfen Kanten oder sich bewegenden Geräteteilen. *Beschädigte oder verwickelte Kabel erhöhen das Risiko eines elektrischen Schlages.*
- e) Wenn Sie mit einem Elektrowerkzeug im Freien arbeiten, verwenden Sie nur Verlängerungskabel, die auch für den Außenbereich geeignet sind. *Die Anwendung eines für den Außenbereich geeigneten Verlängerungskabels verringert das Risiko eines elektrischen Schlages.*
- f) Wenn der Betrieb des Elektrowerkzeuges in feuchter Umgebung nicht vermeidbar ist, verwenden Sie einen Fehlerstromschutzschalter. *Der Einsatz eines Fehlerstromschutzschalters vermindert das Risiko eines elektrischen Schlages.*

3. SICHERHEIT VON PERSONEN

- a) Seien Sie aufmerksam, achten Sie darauf, was Sie tun, und gehen Sie mit Vernunft an die Arbeit mit einem Elektrowerkzeug. Benutzen Sie kein Elektrowerkzeug, wenn Sie müde sind oder unter dem Einfluss von Drogen, Alkohol oder Medikamenten stehen. *Ein Moment der Unachtsamkeit beim Gebrauch des Elektrowerkzeuges kann zu ernsthaften Verletzungen führen.*
- b) Tragen Sie persönliche Schutzausrüstung und immer eine Schutzbrille. *Das Tragen persönlicher Schutzausrüstung, wie Staubmaske, rutschfeste Sicherheitsschuhe, Schutzhelm oder Gehörschutz, je nach Art und Einsatz des Elektrowerkzeuges, verringert das Risiko von Verletzungen.*
- c) Vermeiden Sie eine unbeabsichtigte Inbetriebnahme. Vergewissern Sie sich, dass das Elektrowerkzeug ausgeschaltet ist, bevor Sie es an den Akku anschließen, es aufnehmen oder tragen. *Wenn Sie beim Tragen des Elektrowerkzeuges den Finger am Schalter haben oder das Gerät eingeschaltet an die Stromversorgung anschließen, kann dies zu Unfällen führen.*
- d) Entfernen Sie Einstellwerkzeuge oder Schraubenschlüssel, bevor Sie das

Elektrowerkzeug einschalten. *Ein Werkzeug oder Schlüssel, der sich in einem drehenden Geräteteil befindet, kann zu Verletzungen führen.*

- e) Vermeiden Sie eine abnormale Körperhaltung. Sorgen Sie für einen sicheren Stand und halten Sie jederzeit das Gleichgewicht. *Dadurch können Sie das Elektrowerkzeug in unerwarteten Situationen besser kontrollieren.*
- f) Tragen Sie geeignete Kleidung. Tragen Sie keine weite Kleidung oder Schmuck. Halten Sie Haare, Kleidung und Handschuhe fern von sich bewegenden Teilen. *Lockere Kleidung, Schmuck oder lange Haare können von sich bewegenden Teilen erfasst werden.*
- g) Wenn Staubabsaug- und -auffangeinrichtungen montiert werden können, vergewissern Sie sich, dass diese angeschlossen sind und richtig verwendet werden. *Verwendung einer Staubabsaugung kann Gefährdungen durch Staub verringern.*
- h) Vermeiden Sie, durch die häufige Nutzung des Werkzeugs in einen Trott zu verfallen und Prinzipien für die Werkzeugsicherheit zu ignorieren. *Eine unachtsame Aktion kann im Bruchteil einer Sekunde zu schweren Verletzungen führen.*

4. VERWENDUNG UND BEHANDLUNG DES ELEKTROWERKZEUGES

- a) Überlasten Sie das Gerät nicht. Verwenden Sie für Ihre Arbeit das dafür bestimmte Elektrowerkzeug. *Mit dem passenden Elektrowerkzeug arbeiten Sie besser und sicherer im angegebenen Leistungsbereich.*
- b) Benutzen Sie kein Elektrowerkzeug, dessen Schalter defekt ist. *Ein Elektrowerkzeug, das sich nicht mehr ein- oder ausschalten lässt, ist gefährlich und muss repariert werden.*
- c) Entfernen Sie den Akku, bevor Sie Geräteeinstellungen vornehmen, Zubehörteile wechseln oder das Gerät weglegen. *Diese Vorsichtsmaßnahme verhindert den unbeabsichtigten Start des Elektrowerkzeuges.*
- d) Bewahren Sie unbenutzte Elektrowerkzeuge außerhalb der Reichweite von Kindern auf. Lassen Sie Personen das Gerät nicht benutzen, die mit diesem nicht vertraut sind oder diese Anweisungen nicht gelesen haben. *Elektrowerkzeuge sind gefährlich, wenn Sie von unerfahrenen Personen benutzt werden.*
- e) Pflegen Sie Elektrowerkzeuge mit Sorgfalt. Kontrollieren Sie, ob bewegliche Teile

einwandfrei funktionieren und nicht klemmen, ob Teile gebrochen oder so beschädigt sind, dass die Funktion des Elektrowerkzeuges beeinträchtigt ist. Lassen Sie beschädigte Teile vor dem Einsatz des Gerätes reparieren. *Viele Unfälle haben ihre Ursache in schlecht gewarteten Elektrowerkzeugen.*

- f) Halten Sie Schneidwerkzeuge scharf und sauber. *Sorgfältig gepflegte Schneidwerkzeuge mit scharfen Schneidkanten verkleben sich weniger und sind leichter zu führen.*
- g) Verwenden Sie Elektrowerkzeug, Zubehör, Einsatzwerkzeuge usw. entsprechend diesen Anweisungen. Berücksichtigen Sie dabei die Arbeitsbedingungen und die auszuführende Tätigkeit. *Der Gebrauch von Elektrowerkzeugen für andere als die vorgesehenen Anwendungen kann zu gefährlichen Situationen führen.*
- h) Halten Sie die Griffe trocken, sauber und frei von Öl und Fett. *Rutschige Griffe und Oberflächen unterbinden die sichere Bedienbarkeit und Kontrolle über das Werkzeug in unerwarteten Situationen.*

5. VERWENDUNG UND BEHANDLUNG DES AKKUWERKZEUGS

- a) Laden Sie die Akkus nur in Ladegeräten auf, die vom Hersteller empfohlen werden. *Für ein Ladegerät, das für eine bestimmte Art von Akkus geeignet ist, besteht Brandgefahr, wenn es mit anderen Akkus verwendet wird.*
- b) Verwenden Sie nur die dafür vorgesehenen Akkus in den Elektrowerkzeugen. *Der Gebrauch von anderen Akkus kann zu Verletzungen und Brandgefahr führen.*
- c) Halten Sie den nicht benutzten Akku fern von Büroklammern, Münzen, Schlüsseln, Nägeln, Schrauben oder anderen kleinen Metallgegenständen, die eine Überbrückung der Kontakte verursachen könnten. *Ein Kurzschluss zwischen den Akkukontakten kann Verbrennungen oder Feuer zur Folge haben.*
- d) Bei falscher Anwendung kann Flüssigkeit aus dem Akku austreten. Vermeiden Sie den Kontakt damit. Bei zufälligem Kontakt mit Wasser abspülen. Wenn die Flüssigkeit in die Augen kommt, nehmen Sie zusätzlich ärztliche Hilfe in Anspruch. *Austretende Akkufflüssigkeit kann zu Hautreizungen oder Verbrennungen führen.*
- e) Verwenden Sie kein Akkupack oder Werkzeug, das beschädigt ist. *Beschädigte oder modifizierte Akkus können unvorhersehbare Reaktionen auslösen und zu Bränden,*

AKKU-SCHLAGSCHRAUBER

Explosionen oder Verletzungen führen.

- f) Setzen Sie das Akkupack oder Werkzeug keinem Feuer oder übermäßig hohen Temperaturen aus. *Die Belastung durch Feuer oder Temperaturen über 130 °C kann zur Explosion führen.*
- g) Befolgen Sie alle Ladeanweisungen, und laden Sie das Akkupack oder Werkzeug nicht außerhalb des in den Anweisungen festgelegten Temperaturbereichs auf. *Ein unsachgemäßer Ladevorgang oder Temperaturen außerhalb des festgelegten Bereichs können den Akku schädigen und die Brandgefahr erhöhen.*

6. SERVICE

- a) Lassen Sie Ihr Elektrowerkzeug nur von qualifiziertem Fachpersonal und nur mit Original-Ersatzteilen reparieren. *Damit wird sichergestellt, dass die Sicherheit des Gerätes erhalten bleibt.*
- b) Führen Sie niemals Wartungsarbeiten an beschädigten Akkus durch. *Die Wartung von Akkupacks darf nur vom Hersteller selbst oder autorisierten Dienstleistern durchgeführt werden.*

SICHERHEITSHINWEISE FÜR SCHLAGSCHRAUBER

1. Halten Sie das Elektrowerkzeug bei allen Einsätzen, bei denen es verborgene elektrische Leitungen berühren könnte, an den isolierten Griffflächen. *Kontakt mit einer spannungsführenden Leitung setzt auch Metallteile des Elektrowerkzeuges unter Spannung und führt zu einem elektrischen Schlag.*

SICHERHEIT HINWEISE FÜR AKKUPACK

- a) Zellen bzw. Akkupack nicht zerlegen, öffnen oder zerdrücken.
- b) Akkupack nicht kurzschließen. Akkupacks nicht wahllos in einer Schachtel oder Schublade aufbewahren, wo sie einander kurzschließen oder durch andere leitfähige Materialien kurzgeschlossen werden könnten. Bei Nichtverwendung des Akkupacks ist dieses von Metallgegenständen fernzuhalten, wie etwa Büroklammern, Münzen, Nägeln, Schrauben oder anderen kleinen Metallgegenständen,

wo sich die Batterieklappen berühren könnten. Das Kurzschließen der Batterieklappen kann Verbrennungen bzw. einen Brand verursachen.

- c) Zellen bzw. Akkupacks nicht Hitze oder Feuer aussetzen. Lagerung in direktem Sonnenlicht vermeiden.
- d) Akkupack nicht mechanischen Stößen aussetzen.
- e) Im Fall, dass Flüssigkeit aus dem Akku austritt, darf diese nicht in Kontakt mit der Haut oder den Augen kommen. Sollte dies dennoch geschehen, den betroffenen Bereich sofort mit viel Wasser spülen und einen Arzt aufsuchen.
- f) Akkupack sauber und trocken halten.
- g) Sollten die Klappen des Akkupacks schmutzig werden, diese mit einem sauberen, trockenen Tuch abwischen.
- h) Akkupackmuss vor Gebrauch aufgeladen werden. Immer dieses Anweisungen beachten und den korrekten Ladevorgang ausführen.
- i) Akkupack bei Nichtverwendung nicht längere Zeit aufladen lassen.
- j) Nach längerer Lagerung des Gerätes ist es eventuell notwendig, die Zellen oder das Akkupack mehrere Male aufzuladen und zu entladen, um eine optimale Leistung zu erhalten.
- k) Laden Sie nur mit dem vom Hersteller angegebenen Ladegerät auf. Kein Ladegerät verwenden, das nicht ausdrücklich für den Gebrauch mit dem Gerät vorgesehen ist.
- l) Kein Akkupack verwenden, das nicht für den Gebrauch mit dem Gerät vorgesehen ist.
- m) Akkupacks von Kindern fernhalten.
- n) Die originalen Produktunterlagen zum späteren Nachschlagen aufbewahren.
- o) Den Akku bei Nichtverwendung aus dem Gerät nehmen.
- p) Ordnungsgemäß entsorgen.
- q) Vermischen Sie keine Zellen verschiedener Hersteller, Kapazitäten, Größen oder Typen innerhalb eines Geräts.
- r) Halten Sie den Akku von Mikrowellen und hohem Druck fern.
- s) Achtung! Verwenden Sie keine nicht wiederaufladbaren Batterien.

SICHERHEITSHINWEISE FÜR DAS LADEGERÄT



WARNUNG! Lesen Sie alle Sicherheitshinweise und Anweisungen.

Eine Missachtung der nachstehenden Hinweise kann einen Stromschlag, Feuer und/oder Verletzungen nach sich ziehen.

Bewahren Sie alle Sicherheitshinweise und Anweisungen für die Zukunft auf.

Dieses Gerät kann von Kindern ab 8 Jahren und Personen mit verringerten physischen, sensorischen oder mentalen Fähigkeiten bzw. Mangel an Erfahrung oder Kenntnis verwendet werden, wenn sie von einer Person beaufsichtigt oder bezüglich des Gebrauchs des Gerätes in einer sicheren Umgebung unterwiesen werden und die damit verbundenen Gefahren verstehen. Kinder sollten mit dem Gerät nicht spielen und Reinigungs- und Wartungsarbeiten nur unter Aufsicht durchführen.

Falls das Netzkabel beschädigt sein sollte, muss es vom Hersteller, einem seiner Service-Beauftragten oder einer ähnlich qualifizierten Person instandgesetzt werden, damit es nicht zu Gefährdungen kommt.

1. Vor dem Aufladen bitte die Bedienungsanleitung lesen.
2. Laden Sie einen ausgelaufenen Akku nicht auf.
3. Benutzen Sie Ladegerät nicht für Zwecke, für die sie nicht gedacht sind.
4. Schließen Sie das Ladegerät nur an den Netzstrom an.
5. Nicht im Freien verwenden, vor Regen und Feuchtigkeit schützen.
6. Das Ladegerät muss vor Nässe geschützt sein.
7. Verwenden Sie das Ladegerät nicht im Freien.
8. Schließen Sie die Kontakte des Akkus oder des Ladegeräts nicht kurz.
9. Achten Sie beim Laden auf die Polarität "+/-".
10. Öffnen Sie das Gerät nicht und halten Sie es von Kindern entfernt.
11. Laden Sie keine Akkus anderer Hersteller.
12. Vergewissern Sie sich, dass die Verbindung zwischen dem Ladegerät und dem Akku

korrekt positioniert ist und nicht durch andere Gegenstände behindert wird.

13. Halten Sie die Öffnungen im Ladegerät frei von fremden Objekten und schützen Sie sie vor Verschmutzung und Nässe. Bewahren Sie das Gerät trocken und frostfrei auf.
14. Achten Sie darauf, dass das Laden von Akkus an einem gut gelüfteten Ort und nicht in der Nähe einer brennbaren Umgebung geschieht. Akkus erhitzen sich beim Laden. Sie dürfen nicht überladen werden. Sorgen Sie dafür, dass Akkus und Ladegerät beim Aufladen nicht unbeaufsichtigt sind.
15. Laden Sie keine nicht-aufladbaren Akkus auf, da diese überhitzen und aufbrechen können.
16. Eine längere Lebenszeit und eine bessere Leistung erreicht man, wenn der Akku bei einer Lufttemperatur zwischen 18°C und 24°C aufgeladen wird. Laden Sie den Akku nicht bei Lufttemperaturen unter 0°C oder über 40°C. Achten Sie darauf, um eine starke Beschädigung des Akkus zu vermeiden.
17. Laden Sie nur den Batteriesatz des gleichen Modells, der vom Hersteller bereitgestellt wird, und Modelle, die vom Hersteller empfohlen werden.

AKKU-SCHLAGSCHRAUBER

SYMBOLE



Zur Reduzierung der Verletzungsgefahr bitte die Bedienungsanleitung durchlesen



Warnung



Tragen Sie eine Schutzbrille



Tragen Sie einen Gehörschutz



Tragen Sie eine Staubmaske



Elektroprodukte dürfen nicht mit dem normalen Haushaltsmüll entsorgt werden, sondern sollten nach Möglichkeit zu einer Recyclingstelle gebracht werden. Ihre zuständigen Behörden oder Ihr Fachhändler geben Ihnen hierzu gerne Auskunft.



Bedienungsanleitung lesen



Nur für den Innenbereich verwenden



Positiver Anschluss



Negativer Anschluss



Sicherung



Schutzisolation



Nicht verbrennen



Batterien können bei falscher Entsorgung in der Wasserkreislauf gelangen und das Ökosystem bedrohen. Entsorgen Sie alte Batterien nicht im unsortierten Haushaltsabfall.



Li-Ion-Akku Dieses Produkt wurde mit einem Symbol 'getrennte Sammlung' für alle Akkupacks und Akkupack gekennzeichnet. Diese Abfälle werden dann recycelt oder demontiert, um die Umweltbelastung zu verringern. Akkupacks können schädlich für die Umwelt und die menschliche Gesundheit sein, da sie schädliche Substanzen enthalten.

KOMPONENTENLISTE

1. VORWÄRTS-/RÜCKWÄRTSDREHRICHTUNGSSTEUERUNG	5. BATTERIEPACK*
2. EIN-/AUS-SCHALTER	6. ENTRIEGELUNGSKNOPF FÜR BATTERIEPACK*
3. WEICHER GRIFF	7. LED-LICHT
4. GÜRTELCLIP	8. WERKZEUGHALTER

* Nicht alle abgebildeten oder beschriebenen Zubehörteile sind in der Standardlieferung enthalten.

TECHNISCHE DATEN

Typenbezeichnung IW20S-250 & IW20S-250T2T (20S-250-Bezeichnung der Maschine, stellvertretend für den Schlagschrauber)

	IW20S-250	IW20S-250T2T
Spannung	18V $\overline{\text{---}}$ (20V Max.)	
Leerlaufnendrehzahl	0-2900 /min	
Nennschlagzahl	0-3000 bpm	
Max. Drehmoment	250 Nm	
Bohrfutter Spannweite	1/2" Quadrat	
Akku	/	BI20-2 (2.0Ah)
Lader	/	C20-2 (2.0A)
Maschinengewicht	1.3kg	1.8kg

GEEIGNETE AKKUPACKS

Artikelnummer	BI20-2	BI20-4
Batteriekapazität	2.0Ah	4.0Ah
	Enthalten	Nicht enthalten

GEEIGNETE LADEGERÄTE

Artikelnummer	C20S-76	C20-4
Ladegerät-Eingang	100-240V~50/60Hz, 55W	100-240V~50/60Hz, 95W
Ladegerät-Ausgang	20V $\overline{\text{---}}$ 2.0A	20V $\overline{\text{---}}$ 4.0A
Ladezeit (ungefähr)	1hr (2.0 Ah) 2hrs (4.0 Ah)	30mins (2.0 Ah) 60mins (4.0 Ah)
Ladeschutzklasse	\square /II	\square /II
	Enthalten	Nicht enthalten

INFORMATIONEN ÜBER LÄRM

Gewichteter Schalldruck	L_{pA} : 89.4dB (A)
Gewichtete Schalleistung	L_{wA} : 97.4dB (A)
K_{pA} & K_{wA}	3dB (A)
Tragen Sie einen Gehörschutz.	

AKKU-SCHLAGSCHRAUBER**VIBRATIONSinFORMATIONEN**

Vibrations Gesamt Messwertermittlung gemäß EN 62841:
Vibrationsemissionswert: $a_h = 12.9 \text{ m/s}^2$
Unsicherheit $K = 1.5 \text{ m/s}^2$

Der angegebene Vibrationsgesamtwert kann und der angegebene Vibrationsemissionswert wurden gemäß Standardprüfverfahren gemessen und können zum Vergleichen eines Werkzeug mit einem anderen verwendet werden.

Der angegebene Vibrationsgesamtwert und der angegebene Vibrationsemissionswert können auch für eine anfängliche Beurteilung der Beeinträchtigung verwendet werden.

! **WARNUNG!** Die Vibrations- und Lärmemissionen bei der eigentlichen Nutzung des Elektrowerkzeugs können vom angegebenen Wert abweichen, je nachdem, wie das Werkzeug verwendet wird und insbesondere abhängig davon, welcher Werkstücktyp verarbeitet wird, und abhängig von folgenden Beispielen und verschiedenen Einsatzmöglichkeiten des Werkzeugs:

Wie das Werkzeug verwendet wird und Materialien geschnitten oder angebohrt werden.

Das Werkzeug ist in gutem Zustand und gut gepflegt.

Verwendung des richtigen Zubehörs für das Werkzeug und Gewährleistung seiner Schärfe und seines guten Zustands.

Die Festigkeit des Griffs auf den Handgriffen und, falls Antivibrations- und Lärmschutzzubehör verwendet wird. Und ob das verwendete Werkzeug dem Design und diesen Anweisungen entsprechend verwendet wird.

Wird dieses Werkzeug nicht angemessen gehandhabt, kann es ein Hand-Arm-Vibrationssyndrom erzeugen.

! **WARNUNG!** Um genau zu sein, sollte ein Abschätzung des Belastungsgrades aller Arbeitsabschnitte während tatsächlicher Verwendung berücksichtigt werden, z.B. die Zeiten, wenn das Werkzeug ausgeschaltet ist, und wenn es sich im Leerlauf befindet und eigentlich nicht eingesetzt wird. Auf diese Weise kann der Belastungsgrad während der gesamten Arbeitszeit wesentlich gemindert werden.

Hilft dabei, das Risiko der Vibrations- und Lärmbelastung zu minimieren.

Verwenden Sie **IMMER** scharfe Meissel, Bohrer und Sägeblätter.

Pflegen Sie dieses Werkzeug diesen Anweisungen entsprechend und achten Sie auf eine gute Einfettung (wo erforderlich).

Falls das Werkzeug regelmäßig verwendet werden soll, investieren Sie in Antivibrations- und Lärmschutzzubehör.

Machen Sie einen Arbeitsplan, um die Verwendung von hochvibrierenden Werkzeugen auf mehrere Tage zu verteilen.

ZUBEHÖR

	IW20S-250	IW20S-250T2T
Gürtelclip	1	1
Batteriepack	/	2
Ladegerät	/	1

Wir empfehlen, dass Sie Ihr Zubehör in dem Geschäft kaufen, in dem Sie das Werkzeug verkauft haben. Weitere Einzelheiten finden Sie in der Verpackung des Zubehörs. Das Ladenpersonal kann Ihnen behilflich sein und Ratschläge geben.

BETRIEBSANLEITUNG



HINWEIS: Bitte lesen Sie die Bedienungsanleitung sorgfältig durch, bevor Sie das Werkzeug verwenden.

VERWENDUNGSZWECK

Dieses Werkzeug ist für das Befestigen und Lösen von Schrauben, Muttern und verschiedenen mit einem Gewinde versehenen Befestigungsmitteln bestimmt. Dieses Werkzeug ist nicht für die Verwendung als Bohrmaschine vorgesehen.

VOR DER INBETRIEBNAHME

1. LADE DEN BATTERIESATZ AUF

Verwenden Sie kein Ladegerät, das nicht speziell für die Verwendung mit dem Gerät vorgesehen ist.

Wenn der Batteriesatz sehr heiß ist, müssen Sie ihn aus dem Ladegerät entfernen und Zeit zum Abkühlen des Akkus lassen, bevor Sie ihn wieder aufladen.

Bitte laden Sie den Akku vollständig auf, bevor Sie ihn lagern. Wenn das Werkzeug längere Zeit nicht verwendet wird, laden Sie den Akku alle 3 Monate auf.

- LADEVERFAHREN (SIEHE ABB. A1)

- 1) Stecken Sie das Ladegerät in eine geeignete Steckdose. Die grüne Leuchte wird aufleuchten.
- 2) Schieben Sie den Batteriesatz in das Ladegerät und stellen Sie sicher, dass der Akku fest in der richtigen Ladeposition sitzt. Die grüne Leuchte erlischt und die rote Leuchte leuchtet auf, um den Ladevorgang zu signalisieren.
- 3) Wenn das Laden abgeschlossen ist, erlischt die rote Leuchte und die grüne Leuchte leuchtet auf.
- 4) Nach vollständiger Ladung ziehen Sie das Ladegerät aus der Steckdose und entfernen Sie den Batteriesatz.

HINWEIS: Wenn der Batteriesatz im Ladegerät verriegelt ist, drücken Sie die Taste zur Freigabe des Batteriesatzes und entfernen Sie ihn.



WARNUNG! Falls die Ladekapazität aufgrund langer Benutzung oder direkter Sonneneinstrahlung oder Hitze

zur Neige geht, Lassen Sie den Akku vor dem Wiederaufladen ausreichend abkühlen, damit die volle Ladung erreicht werden kann.

- LADE-ANZEIGEN (SIEHE ABB. A2)

Dieses Ladegerät wurde konzipiert, um Probleme von Batteriepacks zu erkennen. Die Anzeigelichter zeigen Probleme an (siehe Tabelle unten). Falls dies auftreten sollte, legen Sie ein neues Batteriepack ein um herauszufinden, ob das Ladegerät funktionsfähig ist. Wenn die neue Batterie richtig lädt, so ist das alte Batteriepack defekt und sollte an ein Service- oder Recycling-Center zurückgegeben werden. Wenn das neue Batteriepack das gleiche Problem wie das ursprüngliche Batteriepack aufweist, lassen Sie das Ladegerät in einem autorisierten Service-Center überprüfen.

Licht	An/blinkt	Status
Rot an 	—	Lädt
Rot blinkt 	- - - - -	Defekter Akku
Grün an 	—	Ladevorgang abgeschlossen
Grün blinkt 	- - - - -	Batterie zu heiß/ kalt

- ÜBERPRÜFUNG DES LADUNGSZUSTANDS DES BATTERIESATZES (SIEHE ABB. A3)

Der Ladestand des Akkus kann durch Drücken der Taste neben den Lichtern der Batterieanzeige bekannt sein.

2. ENTFERNEN ODER INSTALLIEREN DES BATTERIEPACKS (SIEHE ABB. B1, B2)

Um den Akkupack zu entfernen, drücken Sie zuerst fest auf die Akkupack-Freigabetaste und schieben Sie dann den Akkupack aus Ihrem Werkzeug heraus.

Um den Akkupack zu installieren, schieben Sie den vollständig geladenen Akkupack mit ausreichender Kraft auf das Werkzeug, bis er hörbar einrastet.

AKKU-SCHLAGSCHRAUBER

3. EINBAUEN ODER ENTFERNEN DER STECKDOSE AUF DEM WERKZEUGHALTER (NICHT LIEFERBAR) (SIEHE ABB. C)

Um die Steckdose einzubauen, setzen Sie die Steckdose auf den Werkzeughalter. Um die Steckdose zu entfernen, ziehen Sie die Steckdose aus dem Werkzeughalter heraus.



WARNUNG: Überprüfen Sie Werkzeughalter und Steckdose sorgfältig, bevor Sie das Werkzeug verwenden. Fehlende oder beschädigte Teile sollten ersetzt werden. Stellen Sie sicher, dass der Schalter ausgeschaltet ist oder entfernen Sie den Batteriepack, bevor Sie Zubehörteile wechseln.

BETRIEB

1. SCHALTERSCHLOSS (SIEHE ABB. D1)

Der Ein/Aus-Schalter kann in der AUS-Position verriegelt werden. Dadurch wird die Möglichkeit einer versehentlichen Aktivierung bei Nichtgebrauch verringert. Stellen Sie die Steuerung der Vorwärts- und Rückwärtsdrehrichtung auf die mittlere Position, um den Ein/Aus-Schalter zu verriegeln.

2. VORWÄRTS UND RÜCKWÄRTSSTEUERUNG (SIEHE ABB. D2-D3)

Für Vorwärtsdrehung (mit dem Bohrfutter von Ihnen weg gerichtet) bewegen Sie die Drehsteuerung nach links.

Für Rückwärtsdrehung (mit dem Bohrfutter von Ihnen weg gerichtet) bewegen Sie die Drehsteuerung nach rechts.



WARNUNG: Ändern Sie niemals die Drehrichtung, während sich das Werkzeug dreht. Warten Sie, bis es zum Stillstand kommt.

3. BEDIENUNG DES EIN-/AUSSCHALTERS (SIEHE ABB. E)

Drücken Sie zum Starten und lassen Sie los, um Ihr Werkzeug anzuhalten. Der Ein-/Ausschalter ist mit einer Bremsfunktion ausgestattet, die das Spannfutter sofort stoppt, wenn Sie den Schalter schnell loslassen. Es ist auch ein stufenloser Geschwindigkeitsschalter, der bei erhöhtem Auslösedruck eine höhere

Geschwindigkeit und ein höheres Drehmoment liefert. Die Geschwindigkeit wird durch den Grad der Schalterauslösung gesteuert.

HINWEIS: Der Ein-/Ausschalter kann nur betätigt werden, indem die Drehsteuerung nach links/rechts geschoben wird.



WARNUNG: Betreiben Sie das Werkzeug nicht über längere Zeiträume mit niedriger Geschwindigkeit, da dabei überschüssige Wärme im Inneren erzeugt wird.

4. VERWENDUNG DER LED-BELEUCHTUNG

Um das Licht einzuschalten, drücken Sie einfach den Ein-/Aus-Schalter. Wenn Sie den Ein-/Aus-Schalter loslassen, wird das Licht einige Sekunden später ausgeschaltet. LED-Beleuchtung erhöht die Sichtbarkeit in dunklen oder geschlossenen Bereichen.

5. GÜRTELKLAMMER (SIEHE ABB. F1, F2)

Ziehen Sie den Gürtelclip mit den in der Plastiktüte enthaltenen Schrauben am Werkzeug fest. Gürtelclips können an Gürteln, Taschen oder anderem befestigt werden.

6. ÜBERLASTUNGSSCHUTZ

Bei Überlastung bleibt der Motor stehen. Entlasten Sie die Maschine sofort und lassen Sie die Maschine etwa 30 Sekunden lang bei der Höchstgeschwindigkeit bei Leerlauf abkühlen.

7. TEMPERATURABHÄNGIGER ÜBERLASTSCHUTZ

Elektrowerkzeuge werden bei bestimmungsgemäßer Verwendung nicht überlastet. Wenn die Last zu hoch ist oder die zulässige Batterietemperatur von 75 °C überschreitet, schaltet die elektronische Steuerung das Elektrowerkzeug aus, bis die Temperatur wieder den optimalen Temperaturbereich erreicht.

WARTUNG

Entfernen Sie das Akkupack aus dem Werkzeug, bevor Sie Einstellungen, Service- oder Wartungsarbeiten daran durchführen. Ihr Werkzeug benötigt keine zusätzliche

Schmierung oder Wartung.

Es gibt keine vom Anwender zu wartenden Teile in diesem Elektrowerkzeug. Reinigen Sie Ihr Werkzeug niemals mit Wasser oder chemischen Lösungsmitteln. Wischen Sie es mit einem trockenen Tuch sauber. Lagern Sie Ihr Werkzeug immer an einem trockenen Platz. Sorgen Sie dafür, dass bei staubigen Arbeiten die Lüftungsöffnungen frei sind. Halten Sie alle Bedienelemente staubfrei. Gelegentlich sind durch die Lüftungsschlitze hindurch Funken zu sehen. Dies ist normal und wird Ihr Werkzeug nicht beschädigen.

Bei Akkuwerkzeugen

Der Umgebungstemperaturbereich für die Nutzung und Lagerung von Werkzeug und Akku liegt zwischen 0°C und 45°C.

Der empfohlene Umgebungstemperaturbereich für die Ladestation liegt zwischen 0°C und 40°C.

PROBLEMBEHEBUNG

1. Was ist die Funktion der Vorwärts-/Rückwärtsrotation?

Die Vorwärts-/Rückwärtsrotationsfunktion ermöglicht es Ihnen, die Richtung des Motors zu ändern.

Der Vorwärtsmodus ist für das Befestigen gedacht. Der Rückwärtsmodus ist für das Lösen gedacht.

2. Warum schaltet sich der schlagbohrer nicht ein, wenn sie den schalter drücken?

Der Regler für die Vorwärts-/Rückwärtsdrehung, der sich oben auf dem Abzug befindet, ist in der Sperrfunktion positioniert. Entriegeln Sie den Vorwärts-/Rückwärtsdreheschalter, indem Sie ihn in die gewünschte Drehposition bringen. Drücken Sie den Auslöser und der Schlagbohrer beginnt zu drehen.

UMWELTSCHUTZ



Elektroprodukte dürfen nicht mit dem normalen Haushaltsmüll entsorgt werden, sondern sollten nach Möglichkeit zu einer Recyclingstelle gebracht werden. Ihre zuständigen Behörden oder Ihr Fachhändler geben Ihnen hierzu gerne Auskunft.

AKKU-SCHLAGSCHRAUBER**EC****Konformitätserklärung****CE**

Wir :

HYUNDAI Corporation Holdings Europe
Am Kronberger Hang 2A, 65824, Schwalbach am Taunus
Germany

Erklären, dass das unten aufgeführte Produkt :
Akku-schlagschrauber

MODELL: IW20S-250 & IW20S-250T2T
FUNKTION: Anziehen und Lösen von Schrauben und Muttern

Erfüllt die Anforderungen der Richtlinien des Rates :
2006/42/EC, 2011/65/EU & (EU)2015/863,
2014/30/EU, (EU)2023/1542, 2014/35/EU, (EU)2023/1542, 2014/35/EU

Standards entsprechen der :
EN 62841-1, EN 62841-2-2, EN IEC 55014-1,
EN IEC 55014-2, EN IEC 63000, EN 62133-2,
EN 60335-1, EN 60335-2-29, EN 62233,
EN IEC 55014-1, EN IEC 55014-2, EN IEC 61000-3-2, EN 61000-3-3

Die für die Zusammenstellung der technischen Unterlagen befugte Person,
Name : Hyundae Kim
Adresse : HYUNDAI Corporation Holdings Europe
65824 Schwalbach am Taunus, Germany

Geschäftsführer



Jaiwon Hur

Projektleiter




Sungwoo Hong

Datum : 2024.09.25

NOTICE ORIGINALE

SÉCURITÉ DU PRODUIT

AVERTISSEMENTS DE SÉCURITÉ GÉNÉRAUX POUR L'OUTIL

 **AVERTISSEMENT:** Lire l'ensemble des mises en garde, instructions, illustrations et spécifications fourni avec cet outil électrique. *Ne pas suivre toutes les instructions énumérées ci-dessous peut conduire à une électrocution, un incendie et / ou des blessures graves.*

Conserver tous les avertissements et toutes les instructions pour pouvoir s'y reporter ultérieurement.

Le terme «outil» dans les avertissements fait référence à votre outil électrique alimenté par le secteur (avec cordon d'alimentation) ou votre outil fonctionnant sur batterie (sans cordon d'alimentation).

1. SÉCURITÉ DE LA ZONE DE TRAVAIL

- a) Conserver la zone de travail propre et bien éclairée. *Les zones en désordre ou sombres sont propices aux accidents.*
- b) Ne pas faire fonctionner les outils électriques en atmosphère explosive, par exemple en présence de liquides inflammables, de gaz ou de poussières. *Les outils électriques produisent des étincelles qui peuvent enflammer les poussières ou les fumées.*
- c) Maintenir les enfants et les personnes présentes à l'écart pendant l'utilisation de l'outil. *Les distractions peuvent vous faire perdre le contrôle de l'outil.*

2. SÉCURITÉ ÉLECTRIQUE

- a) Il faut que les fiches de l'outil électrique soient adaptées au socle. Ne jamais modifier la fiche de quelque façon que ce soit. Ne pas utiliser d'adaptateurs avec des outils à branchement de terre. *Des fiches non modifiées et des socles adaptés réduiront le risque de choc électrique.*
- b) Éviter tout contact du corps avec des surfaces reliées à la terre telles que les tuyaux, les radiateurs, les cuisinières et les réfrigérateurs. *Il existe un risque accru de choc électrique si votre corps est relié à la terre.*
- c) Ne pas exposer les outils à la pluie ou à des conditions humides. *La pénétration d'eau à l'intérieur d'un outil augmentera le risque de choc électrique.*

- d) Ne pas maltraiter le cordon. Ne jamais utiliser le cordon pour porter, tirer ou débrancher l'outil. Maintenir le cordon à l'écart de la chaleur, du lubrifiant, *des arêtes ou des parties en mouvement. Des cordons endommagés ou emmêlés augmentent le risque de choc électrique.*
- e) Lorsqu'on utilise un outil à l'extérieur, utiliser un prolongateur adapté à l'utilisation extérieure. *L'utilisation d'un cordon adapté à l'utilisation extérieure réduit le risque de choc électrique.*
- f) Si l'usage d'un outil dans un emplacement humide est inévitable, utiliser une alimentation protégée par un dispositif à courant différentiel résiduel (DDR). *L'usage d'un DDR réduit le risque de choc électrique.*

3. SÉCURITÉ DES PERSONNES

- a) Restez vigilant, regardez ce que vous êtes en train de faire et faites preuve de bon sens dans votre utilisation de l'outil. Ne pas utiliser un outil lorsque vous êtes fatigué ou sous l'emprise de drogues, d'alcool ou de médicaments. *Un moment d'inattention en cours d'utilisation d'un outil peut entraîner des blessures graves des personnes.*
- b) Utiliser un équipement de sécurité. Toujours porter une protection pour les yeux. Les équipements de sécurité tels que les masques contre les poussières, les chaussures de sécurité antidérapantes, les casques ou les protections acoustiques utilisés pour les conditions appropriées réduiront les blessures de personnes.
- c) Éviter tout démarrage intempestif. S'assurer que l'interrupteur est en position arrêté avant de brancher l'outil au secteur et/ou au bloc de batteries, de le ramasser ou de le porter. *Porter les outils en ayant le doigt sur l'interrupteur ou brancher des outils dont l'interrupteur est en position marche est source d'accidents.*
- d) Retirer toute clé de réglage avant de mettre l'outil en marche. *Une clé laissée fixée sur une partie tournante de l'outil peut donner lieu à des blessures de personnes.*
- e) Ne pas se précipiter. Garder une position et un équilibre adaptés à tout moment. *Cela permet un meilleur contrôle de l'outil dans des situations inattendues.*
- f) S'habiller de manière adaptée. Ne pas porter de vêtements amples ou de bijoux. Garder les cheveux, les vêtements et les gants à distance des parties en mouvement. *Des*

CLÉ À CHOCS SANS FIL

vêtements amples, des bijoux ou les cheveux longs peuvent être pris dans des parties en mouvement.

- g) Si des dispositifs sont fournis pour le raccordement d'équipements pour l'extraction et la récupération des poussières, s'assurer qu'ils sont connectés et correctement utilisés. *Utiliser des collecteurs de poussière peut réduire les risques dus aux poussières.*
- h) Ne pas laisser les habitudes acquises au cours d'une utilisation fréquente des outils nous rendre complaisants et ignorer les principes de sécurité de l'outil. *Une action imprudente peut entraîner des blessures graves en une fraction de seconde.*

4. UTILISATION ET ENTRETIEN DE L'OUTIL

- a) Ne pas forcer l'outil. Utiliser l'outil adapté à votre application. *L'outil adapté réalisera mieux le travail et de manière plus sûre au régime pour lequel il a été construit.*
- b) Ne pas utiliser l'outil si l'interrupteur ne permet pas de passer de l'état de marche à arrêt et vice versa. *Tout outil qui ne peut pas être commandé par l'interrupteur est dangereux et il faut le réparer.*
- c) Débrancher la fiche de la source d'alimentation en courant et/ou le bloc de batteries de l'outil avant tout réglage, changement d'accessoires ou avant de ranger l'outil. *De telles mesures de sécurité préventives réduisent le risque de démarrage accidentel de l'outil.*
- d) Conserver les outils à l'arrêt hors de la portée des enfants et ne pas permettre à des personnes ne connaissant pas l'outil ou les présentes instructions de le faire fonctionner. *Les outils sont dangereux entre les mains d'utilisateurs novices.*
- e) Observer la maintenance de l'outil. Vérifier qu'il n'y a pas de mauvais alignement ou de blocage des parties mobiles, des pièces cassées ou toute autre condition pouvant affecter le fonctionnement de l'outil. En cas de dommages, faire réparer l'outil avant de l'utiliser. *De nombreux accidents sont dus à des outils mal entretenus.*
- f) Garder affûtés et propres les outils permettant de couper. *Des outils destinés à couper correctement entretenus avec des pièces coupantes tranchantes sont moins susceptibles de bloquer et sont plus faciles à contrôler.*
- g) Utiliser l'outil, les accessoires et les lames

etc., conformément à ces instructions, en tenant compte des conditions de travail et du travail à réaliser. *L'utilisation de l'outil pour des opérations différentes de celles prévues pourrait donner lieu à des situations dangereuses.*

- h) Maintenir les poignées et les surfaces de préhension sèches, propres et exemptes d'huile et de graisse. *Des poignées et surfaces de préhension glissantes ne permettent pas une manipulation et un contrôle de l'outil en toute sécurité en cas d'imprévu.*

5. UTILISATION DES OUTILS FONCTIONNANT SUR BATTERIES ET PRÉCAUTIONS D'EMPLOI

- a) Ne recharger qu'avec le chargeur spécifié par le fabricant. *Un chargeur qui est adapté à un type de bloc de batteries peut créer un risque de feu lorsqu'il est utilisé avec un autre type de bloc de batteries.*
- b) N'utiliser les outils qu'avec des blocs de batteries spécifiquement désignés. *L'utilisation de tout autre bloc de batteries peut créer un risque de blessure et de feu.*
- c) Lorsqu'un bloc de batteries n'est pas utilisé, le maintenir à l'écart de tout autre objet métallique, par exemple trombones, pièces de monnaie, clés, clous, vis ou autres objets de petite taille qui peuvent donner lieu à une connexion d'une borne à une autre. *Le court-circuitage des bornes d'une batterie entre elles peut causer des brûlures ou un feu.*
- d) Dans de mauvaises conditions, du liquide peut être éjecté de la batterie; éviter tout contact. En cas de contact accidentel, nettoyer à l'eau. Si le liquide entre en contact avec les yeux, rechercher en plus une aide médicale. *Le liquide éjecté des batteries peut causer des irritations ou des brûlures.*
- e) N'utilisez pas de batterie ou d'outil endommagé ou modifié. *Des batteries endommagées ou modifiées peuvent se comporter de façon imprévisible et causer un incendie, une explosion ou un risque de blessure.*
- f) N'exposez pas une batterie ou un outil à un incendie ou à une température excessive. *L'exposition à un incendie ou une température supérieure à 130 °C peut causer une explosion.*
- g) Suivez toutes les instructions de charge et ne rechargez pas la batterie ou l'outil en dehors de la plage de température spécifiée dans les instructions. *Recharger la batterie de façon inappropriée ou en dehors de la plage de*

température spécifiée peut l'endommager et augmente le risque d'incendie.

6. MAINTENANCE ET ENTRETIEN

- a) Faire entretenir l'outil par un réparateur qualifié utilisant uniquement des pièces de rechange identiques. *Cela assurera le maintien de la sécurité de l'outil.*
- b) Ne révisiez jamais de batteries endommagées. *La révision de batteries doit uniquement être effectuée par le fabricant ou les prestataires de service autorisés.*

AVERTISSEMENT DE SÉCURITÉ CONCERNANT LA CLÉ À CHOCS

1. Tenez l'outil par ses surfaces de préhension, lors de l'exécution d'une opération où la fixation pourrait toucher des câbles électriques cachés. *Si les parties externes en métal entrent en contact avec un fil électrique « sous tension », elles pourraient elles aussi devenir « sous tension » et l'utilisateur pourrait recevoir une décharge électrique.*

MISES EN GARDE CONCERNANT LA BATTERIE

- a) La batterie et les piles secondaires ne doivent pas être ouvertes, démontées ou broyées.
- b) La batterie ne doit pas être court-circuitée. Évitez de mettre la batterie en vrac dans une boîte ou dans un tiroir où elles risqueraient de se court-circuiter entre elles ou au contact d'autres objets métalliques. Après usage, évitez tout contact de la batterie avec d'autres objets métalliques de petite taille (trombones, pièces, clés, clous, vis etc.) susceptibles de court-circuiter les pôles. Un court-circuit entre les pôles de la batterie peut être à l'origine de brûlures ou d'un incendie.
- c) La batterie ne doit pas être exposée au feu et à la chaleur. Évitez de la ranger à la lumière du soleil.
- d) La batterie et les piles ne doivent pas être

- e) soumises à des chocs mécaniques.
- e) En cas de fuite des piles, évitez tout contact du liquide avec la peau et les yeux. En cas de contact, rincez abondamment la surface touchée avec de l'eau et appelez les urgences.
- f) La batterie et les piles doivent rester propres et sèches.
- g) Si la batterie ou les piles se salissent, essuyez-les avec un chiffon propre et sec.
- h) La batterie et les piles doivent être chargées avant usage. Utilisez toujours le chargeur adéquat, et respectez les instructions du fabricant ou le mode d'emploi de l'appareil concernant la procédure de recharge.
- i) Évitez de laisser une batterie se charger pendant trop longtemps lorsqu'elle n'est pas utilisée.
- j) Après de longues périodes d'inutilisation, il peut être nécessaire de charger et décharger la batterie et les piles à plusieurs reprises avant que celles-ci ne retrouvent leur capacité maximale.
- k) Rechargez uniquement avec le chargeur spécifié par le fabricant. N'utilisez pas d'autre chargeur que celui spécifiquement fourni avec l'appareil.
- l) N'utilisez en aucun cas une batterie autre que celle prévue pour cet appareil.
- m) La batterie doit être tenue hors de portée des enfants.
- n) Gardez la documentation d'origine du produit afin de pouvoir vous y référer ultérieurement.
- o) Enlevez la batterie de l'appareil lorsque vous ne l'utilisez pas.
- p) Respectez les procédures de mise au rebut.
- q) Ne pas mélanger des piles de fabrication, capacité, taille ou type différents dans un appareil.
- r) Protégez la batterie des micro-ondes et des hautes pressions.
- s) Attention ! N'utilisez pas de piles non rechargeables.

CLÉ À CHOCS SANS FIL

SICHERHEITSHINWEISE FÜR DAS LADEGERÄT



ATTENTION! Lire toutes les instructions et tous les avertissements liés à la sécurité. *Lire toutes les instructions. Si les instructions ne sont pas respectées, il existe un risque de décharges électriques, d'incendie et/ou de blessures graves.*

Conserver tous les avertissements et toutes les instructions pour pouvoir s'y reporter ultérieurement.

Cet appareil peut être utilisé par des enfants âgés de 8 ans et plus et des personnes ayant des capacités physiques, sensorielles ou mentales réduites, ou présentant un manque d'expérience et de connaissances, si elles sont sous surveillance ou formées à l'utilisation de l'appareil en toute sécurité et comprennent les risques qu'il entraîne. Les enfants ne doivent pas jouer avec l'appareil. L'entretien et le nettoyage ne doivent pas être effectués par des enfants sans surveillance.

Si l'alimentation est endommagée, elle doit être remplacée par le fabricant, son agent de maintenance ou une personne qualifiée de façon similaire, afin d'éviter tout danger.

1. Avant de charger, lisez les instructions.
2. Ne chargez pas une batterie qui fuit.
3. N'utilisez pas de chargeurs pour des travaux autres que ceux pour lesquels ils sont conçus.
4. Ne branchez le chargeur que sur une alimentation réseau alternatif (AC).
5. Usage interne uniquement, ne pas exposer à la pluie ou à l'eau.
6. Le chargeur doit être protégé de l'humidité !
7. N'utilisez pas le chargeur à l'extérieur.

8. Ne court-circuitez pas les contacts de la batterie ou du chargeur.
9. Respectez la polarité "+/-" lorsque vous chargez.
10. Ne pas ouvrir l'appareil et le tenir hors de portée des enfants.
11. Ne pas charger de batteries d'autres fabricants.
12. S'assurer que la connexion entre le chargeur de batterie et la batterie est correctement positionnée.
13. Laissez les ouïes du chargeur de batterie libres d'objets étrangers et protégez-le de la poussière et de l'humidité. Stockez-le dans un endroit sec et hors gel.
14. Lors de la charge de batteries, s'assurer que le chargeur de batterie est dans un endroit bien ventilé et à l'écart de matériaux inflammables. Les batteries peuvent chauffer pendant la charge. Ne pas surcharger les batteries. S'assurer que les batteries et les chargeurs de batterie ne restent pas sans surveillance pendant la charge.
15. Ne pas charger des batteries non rechargeables, car elles peuvent chauffer et s'endommager.
16. Une vie plus longue et de meilleures performances peuvent être obtenues si le pack batterie est chargé lorsque la température de l'air est entre 18°C et 24°C. Ne pas charger le pack batterie avec des températures d'air au-dessous de 0°C, ou au-dessus de 40°C. Ceci est important car le pack batterie peut en être sérieusement endommagé.
17. Ne charger que le bloc-batterie du même modèle fourni par le fabricant et des modèles recommandés par le fabricant.

SYMBOLES



Pour réduire le risque de blessure, l'utilisateur doit lire le mode d'emploi.



Avertissement



Porter une protection pour les yeux



Porter une protection pour les oreilles



Porter un masque contre la poussière

Les déchets d'équipements électriques et électroniques ne doivent pas être déposés avec les ordures ménagères. Ils doivent être collectés pour être recyclés dans des centres spécialisés. Consultez les autorités locales ou votre revendeur pour obtenir des renseignements sur l'organisation de la collecte.



Lire le manuel



Usage interne uniquement



Borne positive



Borne négative



Fusible



Classe de protection



Ne pas brûler



Les piles peuvent entrer dans le cycle de l'eau si elles sont éliminées de manière inappropriée, ce qui peut être dangereux pour l'écosystème. Ne jetez pas les piles utilisées avec les déchets ménagers non triés.



Batterie Li-Ion Ce produit comporte un symbole de « Collecte séparée » de toutes les batteries. Il sera ensuite recyclé ou démantelé, afin de réduire l'impact sur l'environnement. Les batteries peuvent être dangereuses pour l'environnement et la santé humaine, car elles contiennent des substances dangereuses.

CLÉ À CHOCS SANS FIL

LISTE DES COMPOSANTS

1. CONTRÔLE DE ROTATION AVANT/ARRIÈRE	5. BATTERIE *
2. INTERRUPTEUR MARCHE/ARRÊT	6. BOULTON DE LIBÉRATION DE LA BATTERIE *
3. POIGNÉE SOUPLE	7. LUMIÈRE LED
4. CLIP DE CEINTURE	8. PORTE-OUTIL

* Tous les accessoires illustrés ou décrits ne sont pas inclus dans la livraison standard.

FR

DONNÉES TECHNIQUES

Modèle IW20S-250 & IW20S-250T2T (20S-250-désignation de la machine, modèle de clé à chocs)

	IW20S-250	IW20S-250T2T
Tension	18V $\overline{=}$ (20V Max.)	
Vitesse sans chargement	0-2900 /min	
Cadence de frappe	0-3000 bpm	
Couple max	250 Nm	
Capacité du mandrin	1/2" Carré	
Batterie	/	BI20-2 (2.0Ah)
Chargeur	/	C20-2 (2.0A)
Poids de la machine	1.3kg	1.8kg

PACKS DE BATTERIE ADAPTÉS

Numéro d'article	BI20-2	BI20-4
Capacité de la batterie	2.0Ah	4.0Ah
	Inclus	Non inclus

CHARGEURS ADAPTÉS

Numéro d'article	C20S-76	C20-4
Entrée chargeur	100-240V~50/60Hz, 55W	100-240V~50/60Hz, 95W
Sortie chargeur	20V $\overline{=}$ 2.0A	20V $\overline{=}$ 4.0A
Temps de charge (environ)	1hr (2.0 Ah) 2hrs (4.0 Ah)	30mins (2.0 Ah) 60mins (4.0 Ah)
Classe de protection du chargeur	\square /II	\square /II
	Non inclus	Non inclus

INFORMATIONS RELATIVES AU BRUIT

Niveau de pression acoustique	L_{pA} : 89.4dB (A)
Niveau de puissance acoustique pondéré A	L_{wA} : 97.4dB (A)
K_{pA} & K_{wA}	3dB (A)
Porter une protection pour les oreilles.	

INFORMATIONS RELATIVES AUX VIBRATIONS

Valeurs totales de vibration (somme du vecteur triaxial) déterminées selon la norme EN 62841:
Valeur d'émission de vibrations: $a_h = 12.9 \text{ m/s}^2$
Incertitude $K = 1.5 \text{ m/s}^2$

La valeur totale de vibration déclarée et la valeur d'émission de bruit déclarée ont été mesurées conformément à la méthode d'essai standard et peuvent être utilisées pour comparer un outil à un autre.

La valeur totale de vibration déclarée et la valeur d'émission de bruit déclarée peuvent également être utilisées lors d'une évaluation préliminaire de l'exposition.

AVERTISSEMENT! les vibrations et les émissions de bruit au cours de l'utilisation réelle de l'outil électrique peuvent varier de la valeur déclarée en fonction du mode d'utilisation de l'outil, en particulier du type de pièce traité selon les exemples suivants et d'autres variations concernant le mode d'utilisation de l'outil:

Comment l'outil est utilisé et quels matériaux sont coupés ou percés.

L'outil est en bon état et bien entretenu.

L'utilisation du bon accessoire pour l'outil et l'assurance qu'il est affûté et en bon état.

La force avec laquelle vous serrez les poignées et l'utilisation éventuelle d'un quelconque accessoire anti-bruit et anti-vibration.

Et l'outil est utilisé comme prévu dans sa conception et dans les présentes instructions.

Cet outil peut causer un syndrome de vibration du bras et de la main s'il n'est pas correctement géré.

AVERTISSEMENT! Pour être précise, une évaluation du niveau d'exposition en conditions réelles d'utilisation doit également tenir compte de toutes les parties du cycle d'utilisation telles que les moments où l'outil est éteint, et ceux où il fonctionne au ralenti mais ne réalise pas réellement de tâche. Ceci peut réduire de façon significative le niveau d'exposition et la période de fonctionnement totale.

Facteurs contribuant à minimiser votre risque d'exposition aux vibrations et au bruit.

Utilisez TOUJOURS des ciseaux, des forets et des lames affûtés.

Entretenez cet outil en accord avec les présentes instructions et maintenez-le lubrifié (si approprié).

Si l'outil doit être fréquemment utilisé, investissez dans des accessoires anti-bruit et anti-vibration.

Planifiez votre travail pour étaler toute utilisation d'outil à fortes vibrations sur plusieurs jours.

ACCESSORIES

	IW20S-250	IW20S-250T2T
Clip de ceinture	1	1
Pack de batterie	/	2
Chargeur	/	1

Nous vous recommandons d'acheter vos accessoires dans le même magasin qui vous a vendu l'outil.

Reportez-vous à l'emballage des accessoires pour plus de détails. Le personnel du magasin peut vous aider et vous conseiller.

CLÉ À CHOCS SANS FIL

INSTRUCTIONS D'UTILISATION



REMARQUE: Avant d'utiliser l'outil, lisez attentivement le manuel d'utilisation.

UTILISATION PRÉVUE

La machine est destinée à la fixation et au desserrage de boulons, d'écrous et de diverses fixations filetées. Cet outil n'est pas destiné à être utilisé comme perceuse.

AVANT LA MISE EN SERVICE

1. CHARGER LE BLOC-BATTERIE

N'utilisez aucun chargeur autre que celui spécifiquement fourni pour une utilisation avec l'équipement.

Si le bloc-batterie est très chaud, vous devez retirer votre bloc-batterie du chargeur et laisser le temps au bloc-batterie de refroidir avant de le recharger.

Veillez charger la batterie pour atteindre sa pleine capacité avant de la stocker. Si l'outil ne sera pas utilisé pendant de longues périodes, chargez la batterie tous les 3 mois.

- PROCÉDURE DE CHARGEMENT (VOIR FIG. A1)

- 1) Branchez le chargeur dans une prise appropriée. La lumière verte s'allumera.
- 2) Glissez le bloc-batterie dans le chargeur, assurez-vous que la batterie est en position de charge correcte fermement. La lumière verte s'éteindra et la lumière rouge s'allumera pour indiquer que le processus de chargement a commencé.
- 3) Lorsque la charge est terminée, la lumière rouge s'éteindra et la lumière verte s'allumera.
- 4) Après une charge complète, débranchez le chargeur et retirez le bloc-batterie.

REMARQUE: Si le bloc-batterie est verrouillé dans le chargeur, appuyez sur le bouton de libération du bloc-batterie et retirez-le.



AVERTISSEMENT! Lorsque la charge de la batterie diminue après utilisation continue ou exposition à la lumière directe du soleil ou à la chaleur, laissez le temps à la batterie de refroidir avant de la recharger pour atteindre la pleine capacité.

- INDICATEUR DE CHARGE (VOIR FIG. A2)

Ce chargeur est fait pour repérer d'éventuels

problèmes pouvant survenir avec l'accumulateur. Les voyants lumineux indiquent lorsqu'il y a un problème (voir tableau ci-dessous).

Si un problème survient, veuillez introduire un nouvel accumulateur pour vérifier que le chargeur fonctionne correctement. Si l'accumulateur se recharge normalement, la source du problème provient de l'autre accumulateur, indiquant qu'il est défectueux et qu'il doit être ramené à un centre de Service Après-Vente ou de recyclage. Si le nouvel accumulateur a le même problème que l'ancien, faites vérifier le chargeur dans un centre de Service Après-Vente.

Lumière	Allumé/ Clignote	Etat
Rouge		Charge en cours
Clignotement rouge	- - - - -	Batterie défectueuse
Vert		Complètement chargée
Clignotement	- - - - -	Batterie Chaude/ Froide

- VÉRIFICATION DE L'ÉTAT DE CHARGE DU BLOC-BATTERIE (VOIR FIG. A3)

Le niveau de charge de la batterie peut être connu à partir du voyant indicateur de batterie en appuyant sur le bouton à côté des lumières.


2. POUR RETIRER OU INSTALLER LA BATTERIE (VOIR FIG. B1, B2)

Pour retirer le pack batterie, appuyez d'abord fermement sur le bouton de libération du pack batterie, puis faites glisser le pack batterie hors de votre outil.

Pour installer le pack batterie, faites glisser le pack batterie entièrement chargé sur l'outil avec une force suffisante jusqu'à ce qu'il s'enclenche en position.

3. INSTALLATION OU RETRAIT DE LA DOUILLE SUR LE PORTE-OUTIL (NON FOURNI) (VOIR FIG. C)

Pour installer la douille, insérez-la sur le porte-outil. Pour retirer la douille, tirez-la hors du porte-outil.

 **AVERTISSEMENT:** Inspectez soigneusement les porte-outils et la douille avant d'utiliser l'outil. Les éléments manquants ou endommagés doivent être remplacés. Assurez-vous que l'interrupteur est verrouillé ou retirez le pack batterie avant de changer les accessoires.


OPÉRATION

1. VERROUILLAGE DE L'INTERRUPTEUR (VOIR FIG. D1)

L'interrupteur On / Off peut être verrouillé en position OFF. Cela aide à réduire la possibilité de démarrage accidentel lorsqu'il n'est pas utilisé. Pour verrouiller l'interrupteur On / Off, placez le sens de rotation avant et arrière en position centrale.

2. CONTRÔLE DE LA ROTATION VERS AVANT ET ARRIÈRE (VOIR FIG. D2-D3)


Pour une rotation vers l'avant (avec le mandrin pointé vers l'opposé de vous), déplacez la commande de rotation vers la gauche. Pour une rotation inverse (avec le mandrin pointé loin de vous), déplacez la commande de rotation vers la droite.

 **AVERTISSEMENT:** Ne changez jamais le sens de rotation lorsque l'outil tourne, attendez qu'il soit arrêté.

3. UTILISATION DE L'INTERRUPTEUR MARCHE/ARRÊT (VOIR FIG. E)

Appuyez pour démarrer et relâchez pour arrêter votre outil. L'interrupteur marche/arrêt est équipé d'une fonction de freinage qui arrête immédiatement votre mandrin lorsque vous relâchez rapidement l'interrupteur. Il s'agit également d'un interrupteur de vitesse variable qui délivre une vitesse et un couple plus élevés avec une pression accrue sur la gâchette. La vitesse est contrôlée par la quantité de dépression de la gâchette de l'interrupteur.

REMARQUE : Seul le fait de pousser le contrôle de rotation vers la gauche/droite permet d'enfoncer l'interrupteur marche/arrêt.

 **AVERTISSEMENT:** Ne pas utiliser pendant de longues périodes à basse vitesse car cela produira une chaleur excessive à l'intérieur.

4. UTILISATION DE LA LAMPE LED

Pour allumer la lumière, appuyez simplement sur l'interrupteur marche/arrêt. Lorsque vous relâchez l'interrupteur marche/arrêt, la lumière s'éteindra quelques secondes plus tard. L'éclairage LED augmente la visibilité dans les zones sombres ou confinées.

5. COMMENT UTILISER LE CLIP DE CEINTURE (VOIR FIG. F1, F2)

Vissez l'attache de courroie sur l'outil avec la vis prévue dans le sachet en plastique. Le crochet de ceinture peut être accroché à votre ceinture ou à votre poche, etc.

6. PROTECTION DE SURCHARGE

En cas de surcharge, le moteur s'arrête. Relâchez immédiatement la charge de la machine et laissez refroidir pendant env. 30 secondes à la vitesse à vide la plus élevée.

7. PROTECTION CONTRE LES SURCHARGES DÉPENDANT DE LA TEMPÉRATURE

Lorsqu'il est utilisé comme prévu, l'outil électrique ne peut pas être soumis à une surcharge. Lorsque la charge est trop élevée ou que la température admissible de la batterie de 75 ° C est dépassée, la commande électronique arrête l'outil électrique jusqu'à ce que la température soit à nouveau dans la plage de température optimale.

ENTRETIEN

Retirer la batterie de l'outil avant de procéder à un réglage, une réparation ou un entretien. L'outil ne requiert pas de graissage ou d'entretien particulier.

Il n'y a pas de pièces réparables par l'utilisateur dans cet outil. Ne jamais utiliser d'eau ou de nettoyeurs chimiques pour nettoyer l'outil. Nettoyer avec un chiffon sec. Toujours conserver l'outil motorisé dans un endroit sec. Maintenir les fentes de ventilation du moteur propres. Empêcher que les commandes de marche soient couvertes de sciure. Il est normal que des étincelles soient visibles dans les fentes de ventilation, cela n'endommagera pas l'outil motorisé.

CLÉ À CHOCS SANS FIL

Pour les outils à batterie

La plage de température ambiante pour l'utilisation et le stockage de l'outil et de la batterie est de 0°C und 45°C.

La plage de température ambiante recommandée pour le système de recharge au cours de la charge est de 0°C und 40°C.

FR

RÉSOLUTION DES PROBLEMES

1. Quelle est la fonction de la rotation avant/arrière ?

La fonction de rotation avant/arrière vous permet de changer la direction du moteur.

Le mode avant est destiné au vissage. Le mode arrière est destiné au dévissage.

2. Pourquoi la clé à chocs ne s'allume-t-elle pas lorsque vous appuyez sur l'interrupteur ?

La commande de rotation avant/arrière qui se trouve en haut de la gâchette est positionnée sur la fonction verrouillage. Déverrouillez la commande de rotation avant/arrière en l'amenant sur la position de rotation requise. Appuyez sur la gâchette et la clé à chocs va se mettre à tourner.

PROTECTION DE L'ENVIRONNEMENT



Les déchets d'équipements électriques et électroniques ne doivent pas être déposés avec les ordures ménagères. Ils sont collectés pour être recyclés dans des centres spécialisés. Consultez les autorités locales ou votre revendeur pour obtenir des renseignements sur l'organisation de la collecte.

EC Déclaration de Conformité



FR

Nous : **HYUNDAI Corporation Holdings Europe**
Am Kronberger Hang 2A, 65824, Schwalbach am Taunus
Germany

Déclarons que le produit détaillé ci-dessous:
Clé à chocs sans fil

MODÈLE: IW20S-250 & IW20S-250T2T
FONCTION: Serrage et desserrage des vis, écrous

Satisfait les exigences des directives du Conseil :
2006/42/EC, 2011/65/EU & (EU)2015/863,
2014/30/EU, (EU)2023/1542, 2014/35/EU, (EU)2023/1542, 2014/35/EU

Les normes sont conformes à :
EN 62841-1, EN 62841-2-2, EN IEC 55014-1,
EN IEC 55014-2, EN IEC 63000, EN 62133-2,
EN 60335-1, EN 60335-2-29, EN 62233,
EN IEC 55014-1, EN IEC 55014-2, EN IEC 61000-3-2, EN 61000-3-3

La personne autorisée à constituer le dossier technique,
Nom : Hyundae Kim
Adresse : HYUNDAI Corporation Holdings Europe
65824 Schwalbach am Taunus, Germany

Directeur général

Jaiwon Hur

Chef de projet

Sungwoo Hong

Date : 2024.09.25

AVVITADRE A PERCUSSIONE A BATTERIA

ISTRUZIONI ORIGINALI SICUREZZA DEL PRODOTTO AVVISI GENERALI PER LA SICUREZZA DEGLI UTENSILI A MOTORE



AVVERTENZA: Leggere tutte le avvertenze di sicurezza, le istruzioni, le illustrazioni e le specifiche fornite con questo elettroutensile. *La mancata osservanza delle istruzioni elencate di seguito potrebbe provocare una scossa elettrica, un incendio e/o lesioni gravi.*

Conservare tutti gli avvisi e le istruzioni per poterli consultare quando necessario.

Il termine «elettroutensile elettrico» utilizzato di seguito in questo manuale si riferisce a utensili elettrici alimentati dalla rete (con linea di allacciamento), oltre che ad utensili elettrici alimentati a batteria (senza linea di allacciamento).

1. POSTO DI LAVORO

- a) **Mantenere pulito ed ordinato il posto di lavoro.** *Il disordine e le zone di lavoro non illuminate possono essere fonte di incidenti.*
- b) **Evitare d'impiegare l'utensile in ambienti soggetti al rischio di esplosioni nei quali si trovino liquidi, gas o polveri infiammabili.** *Gli utensili elettrici producono scintille che possono far infiammare la polvere o i gas.*
- c) **Mantenere lontani i bambini ed altre persone durante l'impiego dell'utensile elettrico.** *Eventuali distrazioni potranno comportare la perdita del controllo sull'utensile.*

2. SICUREZZA ELETTRICA

- a) **La spina per la presa di corrente dovrà essere adatta alla presa.** *Evitare assolutamente di apportare modifiche alla spina. Non impiegare spine adattatrici assieme ad utensili con collegamento a terra. Le spine non modificate e le prese adatte allo scopo riducono il rischio di scosse elettriche.*
- b) **Evitare il contatto fisico con superfici collegate a terra, come tubi, riscaldamenti, cucine elettriche e frigoriferi.** *Sussiste un maggior rischio di scosse elettriche nel momento in cui il corpo è messo a massa.*
- c) **Custodire l'utensile al riparo dalla pioggia o dall'umidità.** *L'eventuale infiltrazione di acqua in un utensile elettrico va ad aumentare il rischio d'insorgenza di scosse elettriche.*

- d) **Non usare il cavo per scopi diversi da quelli previsti al fine di trasportare o appendere l'apparecchio, oppure di togliere la spina dalla presa di corrente.** *Mantenere l'utensile al riparo da fonti di calore, dall'olio, dagli spigolio da parti di strumenti in movimento. I cavi danneggiati o aggrovigliati aumentano il rischio d'insorgenza di scosse elettriche.*
- e) **Qualora si voglia usare l'utensile all'aperto, impiegare solo ed esclusivamente cavi di prolunga omologati per l'impiego all'esterno.** *L'uso di un cavo di prolunga omologato per l'impiego all'esterno riduce il rischio d'insorgenza di scosse elettriche.*
- f) **Se si deve utilizzare l'utensile a motore in un luogo umido, utilizzare una fonte di alimentazione con protezione a corrente residua.** *L'uso di un dispositivo a corrente residua reduce il rischio di folgorazioni elettriche.*

3. SICUREZZA DELLE PERSONE

- a) **È importante concentrarsi su ciò che si sta facendo e a maneggiare con giudizio l'utensile elettrico durante le operazioni di lavoro.** *Non utilizzare l'utensile in caso di stanchezza o sotto l'effetto di droghe, bevande alcoliche e medicinali. Un attimo di distrazione durante l'uso dell'utensile potrà causare lesioni gravi.*
- b) **Indossare sempre equipaggiamento protettivo individuale, nonché guanti protettivi.** *Se si avrà cura d'indossare equipaggiamento protettivo individuale come la maschera antipolvere, la calzatura antidrucciolevole di sicurezza, il casco protettivo o la protezione dell'udito, a seconda dell'impiego previsto per l'utensile elettrico, si potrà ridurre il rischio di ferite.*
- c) **Evitare avviamenti involontari.** *Controllare che l'interruttore sia nella posizione off prima di effettuare il collegamento a una sorgente di alimentazione/batteria, e prima di sollevare o trasportare l'utensile. Il fatto di tenere il dito sopra all'interruttore o di collegare l'utensile acceso all'alimentazione di corrente potrà essere causa di incidenti.*
- d) **Togliere gli attrezzi di regolazione o la chiave inglese prima di accendere l'utensile.** *Un utensile o una chiave inglese che si trovino in una parte di strumento in rotazione potranno causare lesioni.*
- e) **È importante non sopravvalutarsi.** *Avere curadi mettersi in posizione sicura e di mantenere l'equilibrio. In tale maniera sarà possibile controllare meglio l'apparecchio in*

situazioni inaspettate.

- f) **Indossare vestiti adeguati. Evitare di indossare vestiti lenti o gioielli. Tenere i capelli, i vestiti ed i guanti lontani da pezzi in movimento. Vestiti lenti, gioielli o capelli lunghi potranno impigliarsi in pezzi in movimento.**
- g) **Se sussiste la possibilità di montare dispositivi di aspirazione o di captazione della polvere, assicurarsi che gli stessi siano stati installati correttamente e vengano utilizzati senza errori. L'impiego dei suddetti dispositivi diminuisce il pericolo rappresentato dalla polvere.**
- h) **Non lasciare che la familiarità acquisita con l'utilizzo frequente dell'elettrotensile si trasformi in autocompiacimento e trascuratezza dei principi di sicurezza. Un'azione imprudente può causare lesioni gravi entro una frazione di secondo.**

4. MANEGGIO ED IMPIEGO ACCURATO DI UTENSILI ELETTRICI

- a) **Non sovraccaricare l'utensile. Impiegare l'utensile elettrico adatto per sbrigare il lavoro. Utilizzando l'utensile elettrico adatto si potrà lavorare meglio e con maggior sicurezza nell'ambito della gamma di potenza indicata.**
- b) **Non utilizzare utensili elettrici con interruttori difettosi. Un utensile elettrico che non si può più accendere o spegnere è pericoloso e dovrà essere riparato.**
- c) **Scollegare la spina dalla sorgente di alimentazione e/o la batteria dall'utensile prima di effettuare regolazione, cambiare accessori, o riporre gli utensili a motore. Tale precauzione eviterà che l'apparecchio possa essere messo in funzione inavvertitamente.**
- d) **Custodire gli utensili elettrici non utilizzati al di fuori della portata dei bambini. Non fare usare l'apparecchio a persone che non sono abituate ad usarlo o che non abbiano letto le presenti istruzioni. Gli utensili elettrici sono pericolosi se utilizzati da persone inesperte.**
- e) **Effettuare accuratamente la manutenzione dell'apparecchio. Verificare che le parti mobili dello strumento funzionino perfettamente e non s'inceppino, che non ci siano pezzi rotti o danneggiati al punto tale da limitare la funzione dell'apparecchio stesso. Far riparare le parti danneggiate prima d'impiegare l'apparecchio. Numerosi incidenti vengono causati da utensili elettrici la cui manutenzione è stata effettuata poco accuratamente.**
- f) **Mantenere affilati e puliti gli utensili da taglio. Gli utensili da taglio curati con particolare**

attenzione e con taglienti affilati s'inceppano meno frequentemente e sono più facili da condurre.

- g) **Utilizzare utensili elettrici, accessori, attrezzi, ecc. in conformità con le presenti istruzioni e secondo quanto previsto per questo tipo specifico di apparecchio. Osservare le condizioni di lavoro ed il lavoro da eseguirsi durante l'impiego. L'impiego di utensili elettrici per usi diversi da quelli consentiti potrà dar luogo a situazioni di pericolo.**
- h) **Mantenere le impugnature e le superfici di presa asciutte, pulite e prive di olio e grasso. Le impugnature e le superfici di presa scivolose non permettono l'uso e il controllo sicuri dell'elettrotensile in situazioni impreviste.**

5. MANEGGIO ED IMPIEGO ACCURATO DI ACCUMULATORI

- a) **Caricare l'accumulatore solo ed esclusivamente nei dispositivi di carica consigliati dal produttore. Per un dispositivo di carica previsto per un determinato tipo di accumulatore, sussiste pericolo di incendio, se utilizzato con un accumulatore di tipo diverso.**
- b) **Utilizzare negli utensili elettrici solo ed esclusivamente gli accumulatori previsti allo scopo. L'uso di accumulatori di tipo diverso potrà dare insorgenza a lesioni e comportare il rischio d'incendi.**
- c) **Tenere l'accumulatore non utilizzato lontano da graffette, monete, chiavi, chiodi, viti o da altri oggetti in metallo di piccole dimensioni che potrebbero causare un ponte tra i contatti. Un eventuale corto circuito tra i contatti dell'accumulatore potrà dare origine a bruciate o ad incendi.**
- d) **In caso di impiego sbagliato, potranno insorgere fuoriuscite di liquido dall'accumulatore. Evitarne il contatto. In caso di contatto casuale, sciacquare con acqua. Qualora il liquido dovesse entrare in contatto con gli occhi, chiedere immediato consiglio al medico. Il liquido fuoriuscito dall'accumulatore potrà causare irritazioni cutanee o bruciate.**
- e) **Non utilizzare una batteria o un elettrotensile danneggiati o modificati. Le batterie danneggiate o modificate potrebbero manifestare un comportamento imprevedibile con la possibilità di causare un'esplosione o un incendio.**
- f) **Non esporre una batteria o un utensile al fuoco o a temperature elevate. L'esposizione al fuoco o a una temperatura superiore a**

AVVITATDRE A PERCUSSIONE A BATTERIA

130°C potrebbe provocare un'esplosione.

- g) Seguire tutte le istruzioni per la carica e non caricare la batteria o l'elettrotensile a una temperatura che non rientri nell'intervallo di valori specificato nelle istruzioni. Una ricarica effettuata in maniera scorretta o a una temperatura che non rientra nell'intervallo di valori specificato, potrebbe danneggiare la batteria aumentando il rischio d'incendio.

6. ASSISTENZA

- a) Fare riparare l'apparecchio solo ed esclusivamente da personale specializzato e solo impiegando pezzi di ricambio originali. In tale maniera potrà essere salvaguardata la sicurezza dell'apparecchio.
- b) Non riparare le batterie danneggiate. Gli interventi di riparazione sulle batterie devono essere eseguiti dal costruttore o da fornitori di assistenza autorizzati.

- potrebbe causare incendi o ustioni.
- c) Non esporre il pacco batteria a calore o fuoco. Evitare di conservarli alla luce diretta del sole.
- d) Non sottoporre il pacco batteria a scosse meccaniche.
- e) In caso di perdite da una cellula, evitare che il liquido entri in contatto con la pelle o gli occhi. In caso di contatto, lavare l'area interessata con abbondante acqua e consultare un medico.
- f) Tenere le cellule e il pacco batteria puliti e asciutti.
- g) Pulire i terminali delle cellule e del pacco batteria con un panno pulito e asciutto nel caso in cui si sporchino.
- h) Il pacco batteria deve essere caricato prima dell'uso. Utilizzare sempre il caricatore corretto e consultare le istruzioni.
- i) Non lasciare un pacco batteria in carica se non in uso.
- j) Dopo lunghi periodi di conservazione, potrebbe essere necessario caricare e scaricare le cellule o il pacco batteria diverse volte per ottenere le massime prestazioni.
- k) Ricaricare unicamente con il caricabatterie indicato dal costruttore; non utilizzare altri caricabatterie.
- l) Non utilizzare un pacco batteria non progettato per l'uso con l'apparecchiatura.
- m) Tenere il pacco batteria fuori dalla portata dei bambini.
- n) Conservare i documenti originali del prodotto per riferimenti futuri.
- o) Rimuovere la batteria dall'apparecchiatura, se non in uso.
- p) Smaltire adeguatamente.
- q) Non mischiare batterie di diverse marche, capacità, dimensioni o tipologia nello stesso dispositivo.
- r) Proteggere la batteria dalle microonde e dall'alta pressione.
- s) Stai attento! Non utilizzare batterie non ricaricabili.

IT

AVVERTENZE DI SICUREZZA PER L'AVVITATORE A IMPULSI

1. Tenere l'attrezzo tramite le apposite superfici isolanti quando si esegue un'operazione per la quale il dispositivo di chiusura può venire a contatto con cavi non visibili. In questo modo, si eviterà il contatto con i fili sotto tensione, impedendo il trasferimento della stessa alle parti metalliche dell'attrezzo ed il conseguente rischio di scossa elettrica per l'operatore.

ISTRUZIONI PER LA SICUREZZA DEL PACCO BATTERIA

- a) Non smontare, aprire o strappare le cellule secondarie o il pacco batteria.
- b) Non cortocircuitare un pacco batteria. Non conservare un pacco batteria disordinatamente in una scatola o un cassetto in cui potrebbero cortocircuitarsi tra essi o essere cortocircuitati da altri oggetti metallici. Quando il pacco batteria non è in uso, tenerlo lontano da altri oggetti metallici come graffette, monete, chiavi, chiodi, viti e altri piccoli oggetti metallici, potrebbe avverarsi un collegamento tra i due terminali. Collegare i terminali della batteria

SICUREZZA DEL PRODOTTO ISTRUZIONI GENERALI DI SICUREZZA

! **AVVERTENZA!** Leggere tutte le avvertenze per la sicurezza e tutte le istruzioni. *Eventuali errori nell'adempimento delle istruzioni qui di seguito riportate potranno causare scosse elettriche, incendi e/o lesioni gravi.*

Conservare tutti gli avvisi e le istruzioni per poterle consultare quando necessario.

L'apparecchio può essere usato da bambini da 8 anni in su e persone con ridotte capacità fisiche, sensoriali o mentali, o con mancanza di esperienza e conoscenza, se sono sotto la supervisione o seguono le istruzioni sull'uso dell'apparecchio in modo sicuro e comprendono i possibili rischi. I bambini non devono giocare con l'apparecchio. La pulizia e la manutenzione non devono essere fatte dai bambini senza supervisione.

Se il cavo di alimentazione è danneggiato, deve essere sostituito dal produttore, dal centro servizi o da personale qualificato in modo da evitare rischi.

1. Prima di effettuare la carica delle batterie leggere le istruzioni.
2. Non caricare batterie con perdita di elettroliti.
3. Non utilizzare caricatori per operazioni diversi da quelli per i quali sono stati realizzati.
4. Collegare il caricatore solo ad alimentazione CA.
5. Solo uso interno, non esporre alla pioggia o all'acqua.
6. Il caricatore deve essere protetto dall'umidità.
7. Non usare il caricatore all'esterno.
8. Non cortocircuitare i contatti della batteria o del caricatore.
9. Rispettare la polarità "+/-" durante la ricarica.
10. Non aprire l'apparecchiatura. Tenerla fuori dalla portata dei bambini.
11. Non ricaricare le batterie di altri costruttori.
12. Verificare che il collegamento tra caricabatteria e la batteria sia posizionato in

modo corretto.

13. Evitare che le aperture di ventilazione del caricabatterie siano ostruite da oggetti. Proteggere la macchina da polvere e umidità. Riporre il caricabatteroe in un luogo asciutto e temperato.
14. Durante la ricarica delle batterie, verificare che il caricabatterie si trovi in un'area ben ventilata e distante da materiali infiammabili. Le batterie possono scaldarsi durante la ricarica. Non lasciare incustoditi batterie e caricatori durante la ricarica.
15. Non ricaricare batterie che non siano ricaricabili, perché potrebbero surriscaldarsi ed esplodere.
16. Una maggior durata nel tempo e prestazioni migliori possono essere ottenute se le batterie vengono caricate a una temperatura dell'aria compresa tra i 18°C e i 24°C. Non caricare le batterie a temperature inferiori a 0°C o superiori a 40°C. Questo dettaglio è importante in quanto può evitare danni seri alle batterie.
17. Ne chargez que le pack batterie du même modèle fourni par le fabricant et des modèles recommandés par le fabricant.

AVVITATDRE A PERCUSSIONE A BATTERIA

SIMBOLI



Per ridurre il rischio di lesioni, l'utente deve leggere il manuale di istruzioni



Avvertenza



Indossare protezione per le orecchie



Indossare protezione per gli occhi



Indossare una mascherina antipolvere

I prodotti elettrici non possono essere gettati tra i rifiuti domestici.



L'apparecchio da rottamare deve essere portato al centro di riciclaggio per un corretto trattamento.



Controllare con le autorità locali o con il rivenditore per localizzare il centro di riciclaggio più vicino.



Leggere il manuale



Solo uso interno



Terminale positivo



Terminale negativo



Fusibile



Classe protezione



Non bruciare



Se smaltite in maniera scorretta, le batterie potrebbero entrare nel ciclo dell'acqua, con conseguenti rischi per l'ambiente. Non smaltire le batterie esaurite nei rifiuti generici.



Batteria agli ioni di litio (Li-Ion). Questo prodotto è stato contrassegnato con un simbolo riguardante la raccolta differenziata per tutti i pacchi batteria. La batteria sarà poi riciclata o demolita allo scopo di ridurre l'impatto ambientale. I pacchi batteria possono costituire un pericolo per l'ambiente e per la salute umana in quanto contengono sostanze pericolose.

ELENCO DEI COMPONENTI

1. CONTROLLO DELLA ROTAZIONE AVANTI/INDIETRO
2. INTERRUTTORE ON/OFF
3. MANICO MORBIDO
4. CLIP PER CINTURA
5. BATTERIA *
6. PULSANTE DI RILASCIO DELLA BATTERIA *
7. LUCE LED
8. SUPPORTO PER UTENSILI

* Non tutti gli accessori illustrati o descritti sono inclusi nella consegna standard.

DATI TECNICI

Tipo IW20S-250 & IW20S-250T2T (20S-250-designazione del macchinario, rappresentativo dell'avvitatore a impulsi)

	IW20S-250	IW20S-250T2T
Voltaggio	18V \equiv (20V Max.)	
Velocità a vuoto	0-2900 /min	
Frequenza d'impatto senza carico	0-3000 bpm	
Coppia max.	250 Nm	
Capacità del mandrino	1/2" Quadrato	
Batteria	/	BI20-2 (2.0Ah)
Caricabatteria	/	C20-2 (2.0A)
Peso della macchina	1.3kg	1.8kg

PACCHI BATTERIA ADATTI

Numero di articolo	BI20-2	BI20-4
Capacità della batteria	2.0Ah	4.0Ah
	Incluso	Non incluso

CARICABATTERIE ADATTI

Numero di articolo	C20-2	C20-4
Input di caricabatterie	100-240V~50/60Hz, 55W	100-240V~50/60Hz, 95W
Output di caricabatterie	20V \equiv 2.0A	20V \equiv 4.0A
Tempo di ricarica (approssimativo)	1hr (2.0 Ah) 2hrs (4.0 Ah)	30mins (2.0 Ah) 60mins (4.0 Ah)
Classe di protezione del caricabatterie	\square /II	\square /II
	Incluso	Non incluso

AVVITATDRE A PERCUSSIONE A BATTERIA

INFORMAZIONI SUL RUMORE

Pressione acustica ponderata	L_{pA} : 89.4dB (A)
Potenza acustica ponderata	L_{wA} : 97.4dB (A)
K_{pA} & K_{wA}	3dB (A)
Indossare protezione per le orecchie.	

INFORMAZIONI SULLA VIBRAZIONE

I valori totali di vibrazione (somma vettoriale triassiale) sono determinati secondo lo standard EN 62841:
Valore emissione vibrazioni: $a_{v1} = 12.9 \text{ m/s}^2$
Incertezza $K = 1.5 \text{ m/s}^2$

Il valore totale di emissione di vibrazioni dichiarato e il valore di emissioni sonore dichiarati sono stati misurati in base a un metodo di collaudo standard e possono essere utilizzati per il confronto di un utensile con un altro. Il valore totale di emissione di vibrazioni dichiarato e il valore di emissioni sonore dichiarato possono anche essere utilizzati in una valutazione preliminare dell'esposizione.

AVVERTENZA! le emissioni di vibrazioni e sonore durante l'uso effettivo dell'elettro utensile possono differire dal valore dichiarato in base alle modalità con cui esso viene utilizzato. In particolare quale tipo di pezzo viene lavorato dipende dai seguenti fattori e da altre variazioni sulle modalità di utilizzo dell'elettro utensile:

Come viene usato l'elettro utensile e quali sono i materiali tagliati o forati.

Le condizioni e la buona manutenzione dell'elettro utensile.

L'uso dell'accessorio corretto per il taglio e la sua affilatura, nonché le sue buone condizioni.

La tenuta della presa sulle impugnature e se vengono utilizzati eventuali accessori antivibrazioni e antirumore.

L'adeguatezza dell'utilizzo dell'elettro utensile rispetto a quanto previsto.

Questo elettro utensile potrebbe causare l'insorgenza della sindrome della vibrazione dell'avambraccio se il suo utilizzo non viene gestito correttamente.

AVVERTENZA! per essere precisi, una stima del livello di esposizione nelle attuali condizioni di utilizzo dovrebbe anche tenere conto di tutte le parti del ciclo operativo, come le volte in cui lo strumento viene spento e il tempo in cui viene lasciato girare a vuoto senza realmente fare il suo lavoro. Questo potrebbe ridurre significativamente il livello di esposizione sul periodo di lavoro totale.

Aiuto a minimizzare il rischio di esposizione alle vibrazioni e al rumore.

Usare sempre scalpelli, trapani e lame affilati.

Conservare questo elettro utensile sempre in conformità a queste istruzioni e mantenerlo ben lubrificato (dove appropriato).

Se l'utensile deve essere utilizzato regolarmente, investire in accessori antivibrazioni e antirumore.

Pianificare il lavoro in modo da suddividere i lavori che implicano le maggiori vibrazioni nell'arco di più giorni.

ACCESSORI

	IW20S-250	IW20S-250T2T
Clip per cintura	1	1
Pacco batteria	/	2
Caricatore	/	1

Si consiglia di acquistare accessori dal negozio in cui viene venduto l'utensile. Per informazioni più dettagliate, consultare la confezione degli accessori. Il personale del negozio può aiutarti con consigli.

ISTRUZIONI PER L'USO



NOTA: Leggere attentamente il manuale di istruzioni prima di utilizzare l'utensile.

USO PREVISTO

Questo utensile serve per fissare e allentare bulloni, dadi e vari elementi di fissaggio filettati. Questo utensile non è stato realizzato per essere utilizzato come punta per la foratura.

PRIMA DI MESSA IN FUNZIONE

1. CARICA IL PACCO BATTERIA

Non utilizzare nessun caricabatterie diverso da quello specificatamente fornito per l'uso con l'attrezzatura.

Se il pacco batteria è molto caldo, devi rimuoverlo dal caricabatterie e permettere che si raffreddi prima di ricaricarlo.

Si prega di caricare completamente la batteria prima di immagazzinarla. Se l'attrezzo non verrà utilizzato per lunghi periodi di tempo, caricare la batteria ogni 3 mesi.

- PROCEDURA DI CARICA (VEDEI FIG. A1)

- 1) Collega il caricabatterie a una presa appropriata. La luce verde si illuminerà.
- 2) Fai scorrere il pacco batteria nel caricabatterie, assicurandoti che la batteria sia posizionata correttamente per la carica. La luce verde si spegnerà e la luce rossa si illuminerà per indicare che il processo di carica è iniziato.
- 3) Quando la carica è completata, la luce rossa si spegnerà e la luce verde si illuminerà.
- 4) Dopo aver completamente caricato, scollega il caricabatterie e rimuovi il pacco batteria.

NOTA: Se il pacco batteria è bloccato nel caricabatterie, premi il pulsante di rilascio del pacco batteria e rimuovilo.



AVVERTENZA! Se la batteria viene caricata dopo un uso prolungato o dopo l'esposizione diretta alla luce solare o al calore, attendere affinché la batteria si raffreddi prima della ricarica per ottenere la carica completa.

- INDICATORE DI CARICA (VEDEI FIG. A2)

Questo caricatore è progettato per rilevare alcuni problemi che si possono riscontrare

con i pacchi batteria. Le luci d'indicazione segnalano i problemi (fare riferimento alla tavola che segue). In questo caso, inserire un nuovo pacco batteria per determinare se il caricatore è OK. Se la nuova batteria si carica in modo corretto, allora il pacco batteria originale è difettoso e deve essere portato ad un centro di raccolta o riciclaggio. Se il nuovo pacco batteria manifesta gli stessi problemi, far controllare il caricatore presso un centro assistenza autorizzato.

Luce	Accesa/ Lampeggiante	Stato
Rossa accesa 	—————	Caricamento
Luce rossa 	- - - - -	Batteria Difettosa
Verde accesa 	—————	Ricarica completata
Luce verde intermittente 	- - - - -	Attesa caldo/ freddo

- CONTROLLANDO LO STATO DI ALIMENTAZIONE DEL PACCO BATTERIE (VEDEI FIG. A3)

Il livello della batteria può essere conosciuto dalla luce indicatrice della batteria premendo il pulsante accanto alle luci.

2. PER RIMUOVERE O INSTALLARE IL PACCO BATTERIA (VEDEI FIG. B1, B2)

Per rimuovere il pacco batteria, premere prima saldamente il pulsante di rilascio del pacco batteria, quindi far scorrere il pacco batteria fuori dallo strumento.


Per installare il pacco batteria, far scorrere il pacco batteria completamente carico sull'utensile con la forza sufficiente fino a quando non si incastra in posizione.

3. INSTALLAZIONE O RIMOZIONE DELLA PRESA SULL'ATTACCO UTENSILE (NON FORNITO) (VEDI FIG. C)

Per installare la presa, inserire la presa

AVVITADRE A PERCUSSIONE A BATTERIA

sull'attacco utensile. Per rimuovere la presa, tirare la presa fuori dall'attacco utensile.

 **ATTENZIONE:** Ispezionare attentamente gli attacchi utensili e la presa prima di utilizzare l'attrezzo. Gli oggetti mancanti o danneggiati devono essere sostituiti. Assicurarsi che l'interruttore sia bloccato o rimuovere il pacco batteria prima di cambiare gli accessori.

FUNZIONAMENTO


1. BLOCCO DI INTERRUETTORE (VEDI FIG. D1)

L'interruttore Acceso/ Spento può essere bloccato in posizione SPENTO. Questo aiuta a ridurre la possibilità di avvio accidentale quando non in uso. Per bloccare l'interruttore Acceso/ Spento, posizionare le direzioni di controllo in avanti e indietro nella posizione centrale.

2. CONTROLLO DI ROTAZIONE IN AVANTI E INDIETRO (VEDI FIG. D2-D3)

Per la rotazione in avanti, (con la mandrino puntato lontano da te) sposta il controllo di rotazione verso sinistra.


Per la rotazione inversa, (con la mandrino puntato lontano da te) sposta il controllo di rotazione verso destra.

 **ATTENZIONE:** Non cambiare mai il senso di rotazione mentre l-utensile sta ruotando, attendere che si fermi.

3. UTILIZZO DEL PULSANTE ON/OFF (VEDI FIG. E)

Premere per avviare e rilasciare per fermare l'utensile. Il pulsante on/off è dotato di una funzione di freno che ferma immediatamente il mandrino quando si rilascia rapidamente il pulsante. È anche un interruttore a velocità variabile che fornisce una velocità e una coppia più elevate con una pressione del grilletto aumentata. La velocità è controllata dalla quantità di depressione del pulsante dell'interruttore.

Nota: premendo solo il controllo della rotazione verso sinistra/destra, è possibile premere il pulsante on/off.

 **ATTENZIONE:** Non utilizzare per lunghi periodi a bassa velocità perché si produrrà calore in eccesso internamente.

4. UTILIZZO DELLA LUCE LED

Per accendere la luce, basta premere l'interruttore on/off. Quando si rilascia l'interruttore on/off, la luce si spegnerà qualche secondo dopo.

Il sistema di illuminazione a LED aumenta la visibilità in aree buie o chiuse.

5. COME UTILIZZARE LA CLIP PER CINTURA (VEDI FIG. F1, F2)

Stringere la clip da cintura sull'utensile con le viti fornite nel sacchetto di plastica. La clip da cintura può essere agganciata a cinture o tasche o altro.

6. PROTEZIONE DA SOVRACCARICO

In caso di sovraccarico, il motore si arresta. Rilasciare immediatamente il carico sulla macchina e lasciarlo raffreddare per circa 30 secondi a velocità massima a vuoto.

7. PROTEZIONE DI SOVRACCARICO DIPENDENTE DALLA TEMPERATURA

Se viene utilizzato per utensili elettrici come specificato, non può resistere a sovraccarichi. Quando il carico è troppo elevato o supera la temperatura della batteria consentita di 75 °C, il controllo elettronico spegne l'utensile elettrico fino a quando la temperatura non raggiunge nuovamente l'intervallo di temperatura ottimale.

MANUTENZIONE

Rimuovere la spina dalla presa di corrente prima di eseguire qualsiasi regolazione, riparazione o manutenzione.

L'attrezzo non richiede lubrificazione o manutenzione aggiuntiva.

All'interno dell'attrezzo non ci sono parti riparabili da parte dell'utente. Non usare mai acqua o detergenti chimici per pulire l'attrezzo. Pulire con un panno asciutto. Immagazzinare sempre gli attrezzi elettrici in luoghi asciutti. Tenere pulite le aperture di ventilazione del motore. Tenere puliti dalla polvere tutti i controlli operativi. La formazione di scintille all'interno delle aperture di ventilazione, è un fenomeno normale che non crea danni all'attrezzo.

Per gli utensili a batteria

La temperatura ambientale raccomandata per l'uso e la conservazione dell'utensile e della batteria è di 0°C-45°C.

La temperatura ambientale raccomandata per il caricabatterie durante la carica è di 0°C-40°C.

SOLUZIONE DI PROBLEMI

1. Qual è la funzione della rotazione in avanti/indietro?

La funzione di rotazione in avanti/indietro consente di cambiare la direzione del motore. La modalità in avanti è destinata alla fissazione. La modalità inversa è destinata al desserraggio.

2. Perché l'avvitatore ad impulsi non si accende quando si preme l'interruttore?

Il controllo della rotazione avanti/indietro, che si trova sulla parte superiore del grilletto, è posizionato nella funzione di blocco. Sbloccare il comando di rotazione avanti/indietro mettendolo nella posizione di rotazione desiderata. Premere il grilletto e l'avvitatore ad impulsi inizierà a ruotare.

TUTELA AMBIENTALE



I prodotti elettrici non possono essere gettati tra i rifiuti domestici.

L'apparecchio da rottamare deve essere portato al centro di riciclaggio per un corretto trattamento. Controllare con le autorità locali o con il rivenditore per localizzare il centro di riciclaggio più vicino.

AVVITATDRE A PERCUSSIONE A BATTERIA

EC

Dichiarazione di

Conformità



Noi :

HYUNDAI Corporation Holdings Europe
Am Kronberger Hang 2A, 65824, Schwalbach am Taunus
Germany

Dichiariamo che il prodotto dettagliato di seguito :
Avvitatore a impulsi a batteria

MODELLO: IW20S-250 & IW20S-250T2T
FUNZIONE: Serrare e svitare viti, dadi

Soddisfa i requisiti delle direttive del Consiglio :
2006/42/EC, 2011/65/EU & (EU)2015/863,
2014/30/EU, (EU)2023/1542, 2014/35/EU, (EU)2023/1542, 2014/35/EU

Gli standard conformano alla :
EN 62841-1, EN 62841-2-2, EN IEC 55014-1,
EN IEC 55014-2, EN IEC 63000, EN 62133-2,
EN 60335-1, EN 60335-2-29, EN 62233,
EN IEC 55014-1, EN IEC 55014-2, EN IEC 61000-3-2, EN 61000-3-3

La persona autorizzata a costituire il fascicolo tecnico,
Nome : Hyundae Kim
Indirizzo : HYUNDAI Corporation Holdings Europe
65824 Schwalbach am Taunus, Germany

Direttore generale


Jaiwon Hur

Responsabile del progetto

Sungwoo Hong

Date : 2024.09.25

MANUAL ORIGINAL SEGURIDAD DEL PRODUCTO ADVERTENCIAS DE SEGURIDAD GENERALES SOBRE HERRAMIENTAS ELÉCTRICAS

 **ADVERTENCIA:** Lea todas las advertencias de seguridad, instrucciones, ilustraciones y especificaciones que acompañan a esta herramienta eléctrica. *Si no se respetan todas las instrucciones que se indican abajo, podría producirse una descarga eléctrica, un incendio o alguien podría resultar herido de gravedad.*

Conserve todas las advertencias e instrucciones para futuras consultas.

El término "herramienta eléctrica" en todas las advertencias siguientes corresponde a la herramienta eléctrica con o sin cable.

1. ZONA DE TRABAJO

- Mantener su lugar de trabajo limpio y bien iluminado. *Bancos de trabajo desordenados y lugares oscuros invitan a los accidentes.*
- No utilizar herramientas eléctricas en atmósferas explosivas, como por ejemplo en presencia de líquidos inflamables, gases o polvo. *Las herramientas eléctricas crean chispas que pueden encender el polvo o los vapores.*
- Mantener alejados a los niños y visitantes mientras opera una herramienta eléctrica. *Las distracciones pueden hacerle perder el control.*

2. SEGURIDAD ELÉCTRICA

- Los enchufes de la herramienta eléctrica deben encajar perfectamente en el tomacorriente. Nunca modificar el enchufe de ninguna manera. No utilizar adaptadores con herramientas eléctricas conectadas a tierra. *Los enchufes no modificados y los que encajan perfectamente en el tomacorriente reducirán el riesgo de descarga eléctrica*
- Evitar el contacto del cuerpo con superficies conectadas a tierra tales como caños, radiadores, cocinas y heladeras. *Existe un riesgo creciente de descarga eléctrica si su cuerpo queda conectado a tierra.*
- No exponer las herramientas eléctricas a la lluvia y no guardar en lugares húmedos. *El*

agua que penetra en ellas aumentará el riesgo de una descarga eléctrica.

- No abusar del cable. Nunca utilizar el cable para transportar, tirar o desenchufar la herramienta eléctrica. Mantener el cable alejado del calor, del aceite, de bordes agudos o piezas móviles. *Los cables dañados o enredados aumentan el riesgo de descarga eléctrica.*
- Cuando utilice su herramienta eléctrica al aire libre, emplear un prolongador apto para uso en exteriores. *El empleo de cables para uso al aire libre reduce el riesgo de descarga eléctrica.*
- Si es necesario utilizar la herramienta motorizada en un lugar muy húmedo, utilice una fuente de alimentación con dispositivo de corriente residual (RCD). *El uso de un RCD reduce el riesgo de descarga eléctrica.*

3. SEGURIDAD PERSONAL

- Mantenerse alerta, poner atención en lo que está haciendo y utilice el sentido común mientras opera una herramienta eléctrica. No emplear la herramienta cuando se encuentre cansado o bajo la influencia de drogas, alcohol o medicación. *Un momento de falta de atención durante el manejo de herramientas eléctricas puede dar lugar a daños corporales serios.*
- Utilizar equipo de seguridad. Usar siempre protección ocular. *Equipo de seguridad como máscaras contra el polvo, zapatos antideslizantes de seguridad, sombrero o protección auditiva para condiciones apropiadas reducirá daños corporales.*
- Evite el arranque accidental. Asegúrese de que el interruptor se encuentra desactivado antes de enchufar la máquina o colocar la batería, al tomar la herramienta o transportarla. *Transportar herramientas con el dedo en el interruptor o enchufar la herramienta cuando el interruptor está encendido invitan a los accidentes.*
- Retire llaves de ajuste o llaves inglesas antes de poner la herramienta en funcionamiento. *Una llave que queda unida a una pieza móvil de la herramienta puede originar daños corporales.*
- No extralimitarse. Mantenerse firme y con buen equilibrio en todo momento. *Esto permite un mejor control de la herramienta en situaciones inesperadas.*

LLAVE DE IMPACTO SIN CABLE

- f) Vestirse apropiadamente. No usar ropa suelta ni alhajas. Mantenga el pelo, la ropa y los guantes alejados de las piezas en movimiento. *La ropa suelta, las alhajas o el cabello largo pueden ser atrapados por las piezas móviles.*
- g) Si se proporcionan dispositivos para la extracción y recolección de polvo, asegurarse de que estos estén conectados y utilizados correctamente. *El uso de estos dispositivos puede reducir peligros relacionados con el polvo.*
- h) No permita que el hecho de estar familiarizado con el uso de herramientas le haga volverse descuidado o ignorar las normas de seguridad. *La falta de atención puede provocar heridas graves en una fracción de segundo.*
- 4. MANTENIMIENTO DE LA HERRAMIENTA MOTORIZADA**
- a) No forzar la herramienta eléctrica. Utilizar la herramienta eléctrica correcta para su aplicación. *La herramienta eléctrica correcta hará el trabajo mejor y más seguro a la velocidad para la cual fue diseñada.*
- b) No utilizar la herramienta eléctrica si el interruptor no la enciende o apaga. *Cualquier herramienta eléctrica que no pueda ser controlada con el interruptor es peligrosa y debe ser reparada.*
- c) Desconecte el enchufe de la toma eléctrica y/ o la batería de la herramienta antes de realizar cualquier ajuste, cambiar un accesorio o guardar la herramienta. *Tales medidas de seguridad preventivas reducen el riesgo de arranque accidental de la herramienta.*
- d) Mantener las herramientas eléctricas que no usa fuera del alcance de los niños y no permita que personas no familiarizadas con la herramienta o con estas instrucciones maneje la herramienta eléctrica. *Las herramientas eléctricas son peligrosas en manos de usuarios inexpertos.*
- e) Revisar las herramientas eléctricas. Comprobar si hay desalineamiento o atascamiento de piezas móviles, rotura de piezas en general y cualquier otra condición que pueda afectar la operación normal de la herramienta. *Si se verifican daños, recurra a un servicio calificado antes de volver a usar la herramienta. Las herramientas mal mantenidas causan muchos accidentes.*
- f) Mantener las piezas de corte limpias y afiladas. *Puesto que son menos probables de atascarse y más fáciles de controlar.*
- g) Utilizar la herramienta eléctrica, accesorios y brocas etc., de acuerdo con estas instrucciones y de la manera prevista para el tipo particular de herramienta eléctrica, teniendo en cuenta las condiciones de trabajo y el trabajo a ser realizado. *El uso de la herramienta eléctrica para otras operaciones distintas de lo previsto podría dar lugar a una situación peligrosa.*
- h) Mantenga las empuñaduras y las superficies de agarre secas, limpias y sin aceite ni grasa. *Una empuñadura o una superficie de agarre resbaladiza dificultan la correcta manipulación y el control de la herramienta en situaciones imprevistas.*
- 5. UTILIZACIÓN Y MANTENIMIENTO DE LA BATERÍA**
- a) Recargar solamente con el cargador indicado por el fabricante. *Un cargador adaptado a un tipo de batería podría crear un riesgo de incendio si se utiliza con una diferente batería.*
- b) Utilizar las herramientas eléctricas solamente con baterías especialmente adaptadas. *La utilización de cualquier otra batería podría causar un riesgo de incendio o herida.*
- c) Cuando la batería no está en uso, tenerla lejos de los objetos metálicos como los trombones, las piezas de moneda, las llaves, los clavos, los tornillos, o cualquier otro pequeño objeto metálico susceptibles de establecer una conexión de un terminal a otra. *El cortocircuito de un terminal a otra puede causar quemaduras o un incendio.*
- d) Hay una fuga de líquido de la batería. Evitar todo contacto. Si entre accidentalmente en contacto con este líquido, lavar con agua limpia. En caso de contacto con los ojos, consultar a un médico. *El líquido presente en las baterías puede causar irritaciones o quemaduras.*
- e) No utilice una batería o una herramienta que estén dañadas o hayan sido modificadas. *Las baterías dañadas y modificadas pueden comportarse de forma imprevisible y provocar un incendio, una explosión o herir a alguien.*
- f) No arroje una batería o herramienta al fuego ni las exponga a una temperatura excesiva. *La exposición al fuego y a temperaturas superi-*

ores a 130 °C puede provocar una explosión.

- g) Respete todas las instrucciones de carga y no cargue la batería o la herramienta fuera del rango de temperatura especificado en las instrucciones. *Una carga inadecuada o a una temperatura fuera del rango especificado puede ocasionar daños en la batería y aumentar el riesgo de incendio.*
6. REPARACIÓN
- a) Permitir que el mantenimiento de su herramienta eléctrica sea efectuado por una persona calificada usando solamente piezas de recambio idénticas. *Esto es primordial para mantener la seguridad de la herramienta eléctrica.*
- b) No intente reparar nunca una batería dañada. *Cualquier intervención técnica en una batería debe ser realizada exclusivamente por el fabricante o por un servicio técnico autorizado.*

ADVERTENCIA SOBRE SEGURIDAD DE LA LLAVE DE IMPACTO


1. Sujete la herramienta eléctrica por las superficies de empuñadura aisladas cuando esté realizando una tarea durante la que el destornillador pueda entrar en contacto con un cable oculto. *De este modo se evitará cualquier tipo de descarga provocada por el corte de cables o piezas con corriente.*

ADVERTENCIAS DE SEGURIDAD PARA LA BATERÍA

- a) No desmonte, abra o destruya las pilas o las baterías recargables.
- b) No provoque un cortocircuito en la batería. No almacene las baterías de forma descuidada en una caja o cajón donde podría provocar un cortocircuito entre ellas o mediante otros objetos metálicos. *Cuando la batería no esté siendo utilizada, manténgala alejada de objetos metálicos, como clips de papel, monedas, llaves, clavos, tornillos u otros objetos metálicos pequeños, que pueden posibilitar la conexión de un borne con otro. Al provocar un cortocircuito con los bornes de la batería se pueden sufrir quemaduras o generar un incendio.*
- c) No exponga las baterías al calor o al fuego. No las guarde expuestas directamente al sol.
- d) No exponga las baterías a impactos mecánicos.
- e) En caso de que la batería tenga fugas de líquido, no permita que el líquido entre en contacto con la piel o los ojos. Si se produce el contacto, lave la zona afectada con grandes cantidades de agua y acuda a un médico.
- f) Mantenga las baterías limpias y secas.
- g) Limpie los bornes de la batería con un paño limpio si se ensucian.
- h) Cargue la batería antes de utilizarla. Consulte siempre estas instrucciones y aplique el procedimiento de carga adecuado.
- i) No deje la batería cargándose durante prolongados períodos de tiempo cuando no se utilice.
- j) Después de prolongados períodos de almacenamiento, puede que sea necesario cargar y descargar la batería varias veces para obtener el máximo rendimiento.
- k) Recargar solo con el cargador especificado por el fabricante. No utilice ningún otro cargador que no sea el proporcionado específicamente para usar con el equipo.
- l) No utilice ninguna batería distinta a la diseñada para utilizarse con el aparato.
- m) Mantenga la batería fuera del alcance de los niños.
- n) Conserve la documentación original del producto por si tuviera que consultarla en otro momento.
- o) Extraiga la batería del aparato cuando no lo utilice.
- p) Deshágase del producto correctamente.
- q) No se deben mezclar pilas de diferentes fabricantes, capacidad, tamaño o tipo en un mismo dispositivo.
- r) Protéjase la batterie des micro-ondes et des hautes pressions.
- s) ¡Advertencia! No utilice baterías no recargables.

LLAVE DE IMPACTO SIN CABLE

SEGURIDAD DE LOS PRODUCTOS INSTRUCCIONES DE SEGURIDAD

 **ADVERTENCIA!** Lea todos los consejos e instrucciones de seguridad. *Si no se respetan las instrucciones, existe un riesgo de descargas eléctricas, de incendio y/o de graves heridas.*

Conserve todas las advertencias e instrucciones para futuras consultas.

Este dispositivo puede ser utilizado por niños a partir de 8 años y personas con capacidades físicas, sensoriales o mentales reducidas, o falta de experiencia y conocimiento si se les ha proporcionado supervisión o instrucción con referencia al uso de este dispositivo de manera segura y que entiendan los riesgos involucrados. Los niños no deben jugar con este aparato. La limpieza y mantenimiento de uso no deben ser llevados a cabo por niños sin supervisión de un adulto.

Si el cable de alimentación está dañado, debe ser reemplazado por el fabricante, su service autorizado o personas calificadas, a fin de evitar riesgos.

1. Antes de realizar la carga de la batería, lea las instrucciones.
2. No cargue una batería con fugas.
3. No utilice los cargadores para trabajos distintos a aquellos para los que han sido diseñados.
4. Conecte el cargador a una toma AC.
5. Uso interno solamente, no exponer a la lluvia o al agua.
6. Proteja de la humedad el cargador.
7. No utilice el cargador en ambientes exteriores.
8. No cortocircuite los contactos de la batería o el cargador.
9. Respete la polaridad “+/-“ al cargar.
10. No abra el aparato, y manténgalo alejado del alcance de los niños.
11. No cargue baterías de otros fabricantes.
12. Asegúrese de que la conexión entre el cargador y la batería se realiza de forma correcta.

13. Mantenga las ranuras del cargador libres de objetos extraños y protéjalas frente a la suciedad y la humedad. Consérvelo en un lugar seco y libre de congelación.
14. Al cargar las baterías, asegúrese de que el cargador se encuentre en un área bien ventilada, alejada de cualquier material inflamable. Las baterías podrían calentarse durante la carga. No sobrecargue las baterías. Asegúrese de que ni las baterías ni el cargador quedan sin supervisión durante la carga.
15. No recargue baterías no recargables. Podrían sobrecalentarse y romperse.
16. Se puede conseguir una vida más larga y mejor de la batería si se carga con una temperatura del aire entre 18 °C y 24 °C. No cargue la batería si la temperatura del aire es inferior a 0°C o superior a 40°C. Esto es importante, ya que puede evitar daños serios en la batería.
17. Cargue únicamente el paquete de baterías del mismo modelo proporcionado por el fabricante y los modelos recomendados por el fabricante.

SÍMBOLOS



Para reducir el riesgo de lesión, lea el manual de instrucciones



Advertencia



Utilice protección auditiva



Utilice protección ocular



Utilice una máscara antipolvo



Los residuos de aparatos eléctricos y electrónicos no deben depositarse en la basura doméstica. Se deben reciclar en las instalaciones especializadas.

Consulte a las autoridades locales o el establecimiento para saber cómo reciclar estos productos.



Leer el manual



Uso interno solamente



Terminal positivo

— Terminal negativo



Fusible



Clase de protección



No quemar



Si no se eliminan correctamente, las baterías podrían interferir en el ciclo del agua, una situación que pondría en riesgo el ecosistema. Por este motivo, las baterías no deben eliminarse junto con los residuos municipales sin clasificar.



Batería de iones de litio. Este producto tiene una marca que lo designa para la recogida selectiva, junto con otras pilas y baterías. Una vez recogido, se reciclará o se desmontará con el fin de reducir el impacto en el medioambiente. Las baterías contienen sustancias peligrosas y pueden ser perjudiciales para el medioambiente y para la salud de las personas.

LLAVE DE IMPACTO SIN CABLE

LISTA DE COMPONENTES

1. CONTROL DE ROTACIÓN EN SENTIDO ADELANTE/REVERSO
2. INTERRUPTOR DE ENCENDIDO/APAGADO
3. MANGO DE AGARRE SUAVE
4. CLIP PARA CINTURÓN
5. BATERÍA *
6. BOTÓN DE LIBERACIÓN DE LA BATERÍA *
7. LUZ LED
8. SOPORTE PARA HERRAMIENTAS

* No todos los accesorios ilustrados o descritos están incluidos en la entrega estándar.

DATOS TÉCNICOS

Tipo IW20S-250 & IW20S-250T2T (20S-250-designación de maquinaria, representativa de llave de impacto)

	IW20S-250	IW20S-250T2T
Voltaje	18V \equiv (20V Max.)	
Sin velocidad de carga	0-2900 /min	
Tarifa del impacto	0-3000 bpm	
Torque máximo	250 Nm	
Capacidad del mandril	1/2" Cuadrado	
Batería	/	BI20-2 (2.0Ah)
Cargador	/	C20-2 (2.0A)
Peso de la máquina	1.3kg	1.8kg

PACKS DE BATERÍAS ADECUADOS

Número de artículo	BI20-2	BI20-4
Paquete de batería	2.0Ah	4.0Ah
	Incluido	No incluido

CARGADORES ADECUADOS

Número de artículo	C20-2	C20-4
Entrada del cargador	100-240V~50/60Hz, 55W	100-240V~50/60Hz, 95W
Salida del cargador	20V \equiv 2.0A	20V \equiv 4.0A
Tiempo de carga (aproximado)	1hr (2.0 Ah) 2hrs (4.0 Ah)	30mins (2.0 Ah) 60mins (4.0 Ah)
Clase de protección del cargador	\square /II	\square /II
	Incluido	No incluido

INFORMACIÓN DE RUIDO

Nivel de presión acústica ponderada	L_{pA} : 89.4dB (A)
Nivel de potencia acústica ponderada	L_{wA} : 97.4dB (A)
K_{pA} & K_{wA}	3dB (A)
Utilice protección auditiva.	

INFORMACIÓN SOBRE LAS VIBRACIONES

Alores totales de vibración (suma vectorial triangular) determinados según la norma EN 62841:	
Valor de emisión de vibración:	$a_h = 12.9m/s^2$ Incertidumbre $K = 1.5m/s^2$

El valor total de vibraciones declarado y el valor de emisiones acústicas declarado se han medido de conformidad con un método de prueba estándar y pueden utilizarse para realizar comparaciones entre herramientas.

El valor total de vibraciones declarado y el valor de emisiones acústicas declarado también pueden utilizarse en una evaluación preliminar de la exposición.

! **ADVERTENCIA!** Las vibraciones y las emisiones acústicas que se producen durante el uso de la herramienta eléctrica pueden variar respecto a los valores declarados en función de cómo se utilice la herramienta, especialmente dependiendo del tipo de pieza de trabajo que se procese y de otras formas de usar la herramienta:

Cómo se utiliza la herramienta y se cortan o perforan los materiales.

Si la herramienta se encuentra en buenas condiciones de mantenimiento.

Si se utiliza el accesorio correcto para la herramienta y se garantiza que está afilado y en buenas condiciones.

La firmeza de sujeción de las empuñaduras, y el uso de accesorios para reducir las vibraciones y el ruido. Y si la herramienta se utiliza según su diseño y estas instrucciones.

Esta herramienta podría causar síndrome de vibración del brazo y la mano si no se utiliza correctamente.

! **ADVERTENCIA!** Para conseguir una mayor precisión, debe tenerse en cuenta una estimación del nivel de exposición en condiciones reales de todas las partes del ciclo de uso, como los tiempos durante los que la herramienta está apagado o cuando está en funcionamiento pero no está realizando ningún trabajo. Ello podría reducir notablemente el nivel de exposición sobre el periodo de carga total.

Minimización del riesgo de exposición a las vibraciones y el ruido.

Utilice SIEMPRE cinceles, brocas y cuchillas afiladas.

Mantenga esta herramienta de acuerdo con estas instrucciones y bien lubricada (si es necesario).

Si la herramienta se va a utilizar de forma habitual, se recomienda adquirir accesorios para reducir las vibraciones y el ruido.

Planifique su programa de trabajo para distribuir el uso de la herramienta a lo largo de varios días.

ACCESORIOS

	IW20S-250	IW20S-250T2T
Clip para cinturón	1	1
Paquete de batería	/	2
Cargador	/	1

Le recomendamos que compre sus accesorios en la misma tienda que le vendió la herramienta. Vea el paquete de accesorios para más información. El empleado puede ayudarlo y aconsejarlo.

LLAVE DE IMPACTO SIN CABLE

INSTRUCCIONES



NOTA: Antes de utilizar la herramienta, lea atentamente el libro de instrucciones.

POSIBLE USO

Esta herramienta está pensada para sujetar y aflojar pernos, tuercas y diversos sujetadores roscados. Esta herramienta no está pensada para uso como taladro.

ANTES DE PONERLO EN FUNCIONAMIENTO

1. CARGUE EL PAQUETE DE BATERÍAS

No utilice ningún cargador que no sea el específicamente proporcionado para su uso con el equipo.

Si el paquete de baterías está muy caliente, debe retirarlo del cargador y permitir que se enfríe antes de recargarlo.

Por favor, cargue la batería completamente antes de almacenarla. Si la herramienta no se va a utilizar durante períodos largos, cargue la batería cada 3 meses.

- PROCEDIMIENTO DE CARGA (VER FIG. A1)

- 1) Enchufe el cargador a un enchufe adecuado. La luz verde se iluminará.
- 2) Deslice el paquete de baterías en el cargador, asegurándose de que la batería esté en la posición correcta de carga firmemente. La luz verde se apagará y la luz roja se iluminará para indicar que el proceso de carga ha comenzado.
- 3) Cuando la carga esté completa, la luz roja se apagará y la luz verde se iluminará.
- 4) Una vez cargado completamente, desconecte el cargador y retire el paquete de baterías.

NOTA: Si el paquete de baterías está bloqueado en el cargador, presione el botón de liberación del paquete de baterías y retírelo.



ADVERTENCIA! Si se agota la carga de la batería debido al uso continuado o la exposición a la luz solar directa o el calor, deje tiempo suficiente para que la batería se enfríe antes de cargarla de nuevo para que se cargue al máxim.

- INDICADOR DE CARGA (VER FIG. A2)

Este cargador ha sido diseñado para detectar posibles problemas de funcionamiento de las baterías. El indicador se iluminará para indicar

algún problema (consulte la tabla siguiente). Si esto ocurre, inserte una nueva batería para determinar si el cargador se encuentra en buenas condiciones. Si la batería nueva se carga correctamente, la batería original será defectuosa y deberá ser desechada a un Servicio Oficial o en un Punto de Residuos o Reciclado. Si la nueva batería muestra el mismo problema que la batería original, solicite a un Servicio Técnico Oficial su comprobación.

Luz	Continuidad /intermitente	Estado de la carga
Rojo continuo 	—————	En carga
Rojo intermitente 	- - - - -	Batería defectuosa
Verde continuo 	—————	Carga completa
Verde intermitente 	- - - - -	Demora de frío/calor

- COMPROBANDO EL ESTADO DE LA BATERÍA DEL PAQUETE (VER FIG. A3)

El nivel de la batería se puede conocer a través de la luz indicadora de la batería presionando el botón al lado de las luces.

2. MONTAJE DEL PAPEL DE LIJA DE GANCHO Y BUCLE (VER FIG. B1, B2)


Para quitar el paquete de baterías, primero presiona firmemente el botón de liberación del paquete de baterías y luego desliza el paquete de baterías fuera de tu herramienta.

Para instalar el paquete de baterías, desliza el paquete de baterías completamente cargado sobre la herramienta con suficiente fuerza hasta que encaje en su posición.

3. INSTALACIÓN O RETIRO DEL ENCHUFE EN EL PORTAHERRAMIENTAS (NO SUMINISTRADO) (VER FIGURA. C)

Para instalar el enchufe, inserte el enchufe en el portaherramientas. Para retirar el enchufe, tire

del enchufe fuera del portaherramientas.

 ¡ADVERTENCIA: Inspeccione cuidadosamente los portaherramientas y el enchufe antes de usar la herramienta. Los elementos faltantes o dañados deben ser reemplazados. Asegúrese de que el interruptor esté bloqueado o retire el paquete de baterías antes de cambiar los accesorios.

OPERACIÓN


1. INTERRUPTOR DE BLOQUEO (VER FIGURA. D1)

El interruptor de encendido / apagado se puede bloquear en la posición de apagado. Esto ayuda a reducir la posibilidad de un arranque accidental cuando no esté en uso. Para bloquear el interruptor de encendido / apagado, coloque la dirección del control de rotación hacia adelante y hacia atrás en la posición central.

2. CONTROL DE ROTACIÓN HACIA DELANTE Y HACIA DETRÁS (VER FIGURA. D2-D3)

Para la rotación hacia adelante, (con el portabrocas apuntando lejos de ti) mueve el control de rotación hacia la izquierda.


Para la rotación hacia atrás, (con el portabrocas apuntando lejos de ti) mueve el control de rotación hacia la derecha.

 ¡ADVERTENCIA: Nunca cambie la dirección de rotación mientras la herramienta está girando, espere hasta que se haya detenido.

3. OPERACIÓN DEL INTERRUPTOR DE ENCENDIDO/APAGADO (VER FIGURA. E)

Presione para encender y suelte para detener su herramienta. El interruptor de encendido/apagado está equipado con una función de freno que detiene su portabrocas inmediatamente cuando suelta rápidamente el interruptor. También es un interruptor de velocidad variable que ofrece mayor velocidad y par con una mayor presión en el gatillo. La velocidad se controla mediante la cantidad de presión del gatillo del interruptor.

Nota: solo empujando el control de rotación hacia el lado izquierdo/derecho, se puede presionar el interruptor de encendido/apagado.

 ¡ADVERTENCIA: No opere durante

períodos prolongados a baja velocidad porque se generará calor en exceso internamente.

4. USO DE LA LUZ LED

Para encender la luz, simplemente presione el interruptor de encendido/apagado. Cuando suelte el interruptor de encendido/apagado, la luz se apagará unos segundos después. La iluminación LED aumenta la visibilidad en áreas oscuras o cerradas.

5. CÓMO USAR EL CLIP PARA CINTURÓN (VER FIGURA. F1, F2)

Atornille el clip de cinturón en la herramienta con el tornillo provisto en la bolsa de plástico. El clip para el cinturón se puede enganchar en su cinturón o bolsillo, etc.

6. PROTECCIÓN CONTRA SOBRECARGAS

Cuando esté sobrecargado, el motor se detiene. Alivie la carga de la máquina inmediatamente y permita la refrigeración durante aproximadamente 30 segundos a la velocidad de carga más alta.

7. PROTECCIÓN DE SOBRECARGA ACORDE A LA TEMPERATURA

Cuando se utiliza la herramienta de manera intencionada no puede producirse una sobrecarga. Cuando la carga es demasiado alta o se supera la temperatura permitida de la batería de 75 ° C, el control electrónico apaga la herramienta eléctrica hasta que la temperatura vuelva a estar en el rango de temperatura óptimo.

MANTENIMIENTO

Retire el enchufe de la toma de corriente antes de efectuar cualquier ajuste, reparación o mantenimiento.

Su herramienta eléctrica no requiere de lubricación ni mantenimiento adicional. No posee piezas en su interior que deban ser reparadas por el usuario. Nunca emplee agua o productos químicos para limpiar su herramienta. Use simplemente un paño seco. Guarde siempre su herramienta en un lugar seco. Mantenga limpias las ranuras de

LLAVE DE IMPACTO SIN CABLE

ventilación del motor. Mantenga todos los controles de funcionamiento libres de polvo. La observación de chispas que destellan bajo las ranuras de ventilación indica un funcionamiento normal que no dañará su herramienta.

Para las herramientas a batería

El rango de temperatura ambiente de funcionamiento y almacenamiento para la herramienta y la batería es de 0°C-45°C.

El rango de temperatura ambiente recomendado para el Sistema de carga durante el proceso de carga es de 0°C-40°C.

SOLUCIÓN DE PROBLEMAS

1. ¿Cuál es la función de la rotación hacia adelante/hacia atrás?

La función de rotación hacia adelante/hacia atrás te permite cambiar la dirección del motor.

El modo hacia adelante está destinado para el ajuste. El modo hacia atrás está destinado para aflojar.

2. ¿Por qué no se enciende la llave de impacto al pulsar el interruptor?

El control de rotación hacia delante/hacia atrás, que está encima del gatillo, está posicionado en la función de bloqueo. Desbloquear el control de rotación hacia delante/hacia atrás poniéndolo en la posición de rotación requerida. Pulsar el gatillo y la llave de impacto empezará a girar.

PROTECCION AMBIENTAL



Los residuos de aparatos eléctricos y electrónicos no deben depositarse en la basura doméstica. Se deben reciclar en las instalaciones especializadas. Consulte a las autoridades locales o el establecimiento para saber cómo reciclar estos productos.

EC Declaración de Conformidad



Nosotros : **HYUNDAI Corporation Holdings Europe**
Am Kronberger Hang 2A, 65824, Schwalbach am Taunus
Germany

Declaramos que el producto detallado a continuación :
Llave de impacto sin cable

MODELO: IW20S-250 & IW20S-250T2T
FUNCIÓN: Apretar y aflojar tornillos y tuercas

Satisface los requisitos de las directivas del Consejo :
2006/42/EC, 2011/65/EU & (EU)2015/863,
2014/30/EU, (EU)2023/1542, 2014/35/EU, (EU)2023/1542, 2014/35/EU

Normas cumplen con :
EN 62841-1, EN 62841-2-2, EN IEC 55014-1,
EN IEC 55014-2, EN IEC 63000, EN 62133-2,
EN 60335-1, EN 60335-2-29, EN 62233,
EN IEC 55014-1, EN IEC 55014-2, EN IEC 61000-3-2, EN 61000-3-3

La persona autorizada para elaborar el expediente técnico,
Nombre : Hyundae Kim
Dirección : HYUNDAI Corporation Holdings Europe
65824 Schwalbach am Taunus, Germany

Gerente general

Fecha : 2024.09.25


Jaiwon Hur

Director de proyecto

Sungwoo Hong

ACCU SLAGMOERSLEUTEL

OORSPRONKELIJKE GEBRUIKSAANWIJZING PRODUCTVEILIGHEID ALGEMENE VEILIGHEIDSWAARS- CHUWINGEN VOOR VERMOGENSMACHINE

 **WAARSCHUWING:** Lees alle veiligheidswaarschuwingen, instructies, illustraties en specificaties die bij dit elektrisch gereedschap werden meegeleverd. *Het niet opvolgen van alle onderstaande voorschriften kan tot een elektrische schok, brand en/of ernstig persoonlijk letsel leiden.*

Bewaar alle waarschuwingen en instructies voor latere naslag.

De term “(elektrisch) gereedschap” in de waarschuwingen hieronder, verwijst naar uw op netspanning werkende gereedschap (met stroomdraad) of uw accugereedschap (draadloos)

1. WERKGEBIED

- a) Houd uw werkgebied schoon en zorg ervoor dat deze goed verlicht is. *In rommelige en slecht verlichte werkgebieden gebeuren sneller ongelukken.*
- b) Gebruik elektrisch gereedschap niet in explosieve atmosferen, zoals in de nabijheid van ontvlambare vloeistoffen, gassen of stof. *Elektrisch gereedschap veroorzaakt vonken die de stof of de gassen kunnen doen ontvlammen.*
- c) Houd kinderen en omstanders uit de buurt terwijl u met elektrisch gereedschap werkt. *Afleidingen kunnen ervoor zorgen dat u de controle over het gereedschap verliest.*

2. ELEKTRISCHE VEILIGHEID

- a) De stekker van het elektrisch gereedschap moet passen in het stopcontact. Pas de stekker op geen enkele manier aan om te zorgen dat hij wel past. Gebruik geen adapterstekkers terwijl u geaard elektrisch gereedschap gebruikt. *Onaangepaste stekkers die in het stopcontact passen, verminderen de kans op een elektrische schok.*
- b) Vermijd lichamelijke contact met geaarde of gegrounde oppervlakken, zoals buizen, radiatoren, fornuizen en koelkasten. *Als uw lichaam geaard of geground is, is er een grotere kans op een elektrische schok.*

- c) Stel uw elektrische gereedschap niet bloot aan regen of natte omstandigheden. *Water dat elektrisch gereedschap kan binnendringen, vergroot de kans op een elektrische schok.*
- d) Gebruik de stroomdraad niet op een andere manier dan waarvoor deze gemaakt is. Trek niet aan de stroomdraad, ook niet om de stekker uit het stopcontact te krijgen en draag het gereedschap niet door het aan de stroomdraad vast te houden. Houd de stroomdraad uit de buurt van hitte, olie, scherpe hoeken en bewegende onderdelen. *Beschadigde of verwarde stroomdraden vergroten de kans op een elektrische schok.*
- e) Wanneer u het elektrische gereedschap buitenshuis gebruikt, dient u te zorgen voor een verlengsnoer dat geschikt is voor gebruik buitenshuis. *Het gebruik van een verlengsnoer dat geschikt is voor gebruik buitenshuis, vermindert de kans op een elektrische schok.*
- f) Moet een krachtmachine in een vochtige locatie worden gebruikt, gebruik dan een aardlekschakelaar (ALS). *Een ALS vermindert het gevaar op elektrische schokken.*

3. PERSOONLIJKE VEILIGHEID

- a) Blijf alert, kijk waar u mee bezig bent en gebruik uw gezonde verstand wanneer u met elektrisch gereedschap werkt. Gebruik geen elektrisch gereedschap wanneer u moe bent of onder de invloed van drugs, alcohol of medicijnen. *Een moment van onoplettendheid bij het gebruik van elektrisch gereedschap kan leiden tot ernstig persoonlijk letsel.*
- b) Gebruik een veiligheidsuitrusting. Draag altijd oogbescherming. *Een veiligheidsuitrusting, zoals een stofmasker, schoenen met antislipzolen, een veiligheidshelm, of oorbescherming die onder de juiste omstandigheden gebruikt wordt, vermindert de kans op persoonlijk letsel.*
- c) Pas op dat het apparaat niet onbedoeld wordt gestart. Zorg ervoor dat de schakelaar uit staat voordat u de voeding en/of batterij aansluit, en als u de machine oppakt en draagt. *Gereedschap dragen terwijl u uw vinger op de schakelaar houdt, of de stekker in het stopcontact steken terwijl het gereedschap ingeschakeld staat, is vragen om ongelukken.*
- d) Verwijder inbussleutels of moersleutels voordat u het gereedschap inschakelt. *Een sleutel die nog in of op een draaiend onderdeel van het elektrische gereedschap zit, kan leiden tot ernstig persoonlijk letsel.*
- e) Werk niet boven uw macht. Zorg er altijd voor dat u stevig staat en goed in balans

bent. Hierdoor heft u betere controle over het gereedschap in onverwachte situaties.

- f) Draag geschikte kleding. Draag geen loszittende kleding of sieraden. Houd uw haar, kleding en handschoenen uit de buurt van bewegende onderdelen. Loszittende kleding, sieraden of lang haar kan vast komen te zitten in bewegende onderdelen.
- g) Wanneer er apparaten worden bijgeleverd voor stofafzuiging en –opvang, zorg er dan voor dat deze aangesloten zijn en op de juiste manier gebruikt worden. Het gebruik van deze apparaten vermindert de gevaren die door stof kunnen ontstaan.
- h) Als u gereedschap veelvuldig gebruikt, dan kan dit leiden tot het negeren van de veiligheidsprincipes, probeer dit te vermijden. Een achteloze actie kan binnen een fractie van een seconde leiden tot ernstig letsel.

4. GEBRUIK EN ONDERHOUD VAN ELEKTRISCH GEREEDSCHAP

- a) Forceer het gereedschap niet. Gebruik gereedschap dat voor de toepassing geschikt is. Het gebruik van geschikt gereedschap levert beter werk af en werkt veiliger als het gebruikt wordt op de snelheid waar het voor ontworpen is.
- b) Gebruik het gereedschap niet wanneer de aan/uitschakelaar niet functioneert. Gereedschap dat niet kan worden bediend met behulp van de schakelaar is gevaarlijk en dient te worden gerepareerd.
- c) Neem de stekker uit het stopcontact en/of verwijder de batterij voordat u instellingen veranderd, toebehoren vervangt of de machine opbergt. Deze preventieve veiligheidsmaatregelen verminderen de kans op het ongewild inschakelen van het gereedschap.
- d) Berg gereedschap dat niet gebruikt wordt buiten het bereik van kinderen op en laat personen die niet bekend zijn met het gereedschap of met deze veiligheidsinstructies het gereedschap niet bedienen. Elektrisch gereedschap kan in de handen van ongetrainde gebruikers gevaarlijk zijn.
- e) Onderhoud elektrisch gereedschap op de juiste wijze. Controleer of bewegende onderdelen nog goed uitgelijnd staan, of ze niet ergens vastzitten en controleer op elke andere omstandigheid die ervoor kan zorgen dat het gereedschap niet goed functioneert. Wanneer het gereedschap beschadigd is, dient u het te repareren voordat u het in gebruik neemt. Veel ongelukken worden

veroorzaakt door slecht onderhouden elektrisch gereedschap.

- f) Houd snijdend gereedschap schoon en scherp. Goed onderhouden snijdend gereedschap met scherpe zaagbladen/messen zal minder snel vastlopen en is makkelijker te bedienen.
- g) Gebruik het gereedschap, de accessoires, de bitjes, enz. in overeenstemming met deze instructies en op de manier zoals bedoeld voor het specifieke type elektrisch gereedschap, rekening houdend met de werkomstandigheden en het uit te voeren werk. Het gereedschap gebruiken voor andere doeleinden dan waar deze voor ontworpen is, kan gevaarlijke situaties opleveren.
- h) Houd de handgrepen en grijppoppervlakten droog, schoon en vrij van olie en smeermiddel. Glibberige handgrepen en grijppoppervlakten laten geen veilige hantering toe, en zorgen ervoor dat u geen controle hebt over het gereedschap in onverwachte omstandigheden.

5. GEBRUIK EN ONDERHOUD VAN ACCUGEREEDSCHAP

- a) Laad het accupack alleen op met de door de fabrikant aangegeven oplader. Een oplader die geschikt is voor het ene type accupack, kan brand veroorzaken wanneer die gebruikt wordt voor een ander type accupack.
- b) Gebruik het gereedschap uitsluitend met het aangegeven accupack. Door het gebruik van andere accupacks ontstaat de kans op letsel of brand.
- c) Wanneer het accupack niet gebruikt wordt, dient u het uit de buurt te houden van metalen voorwerpen, zoals paperclips, munten, sleutels, spijkers, schroeven of andere kleine metalen voorwerpen die een verbinding kunnen maken tussen de contactpunten van de terminal. Het kortsluiten van de accuterminals kan zorgen voor brandwonden of brand.
- d) Onder extreme omstandigheden kan er vloeistof uit de accu lopen; raak deze vloeistof niet aan. Wanneer u toch onverhoopt met de vloeistof in aanraking komt, dient u dit onmiddellijk af te spoelen met water. Wanneer de vloeistof in de ogen komt, dient u zo snel mogelijk een arts te raadplegen. Vloeistof die afkomstig is uit de accu kan irritatie of brandwonden veroorzaken.
- e) Gebruik geen accu of gereedschap dat beschadigd of aangepast is. Beschadigde

ACCU SLAGMOERSLEUTEL

of aangepaste accu's kunnen onvoorspelbaar reageren, wat kan leiden tot brand, explosie of het veroorzaken van letsel.

- f) Stel een accu of gereedschap niet bloot aan vuur of extreme temperatuur. *Blootstelling aan brand of een temperatuur boven 130°C kan explosie veroorzaken.*
- g) Volg alle instructies en laad de accu of het gereedschap niet op buiten het temperatuurbereik dat vermeld is in de handleiding. *Onjuist opladen of opladen bij temperaturen buiten het aangegeven bereik kan de accu beschadigen en het risico op brand vergroten.*

6. SERVICE

- a) Laat uw elektrisch gereedschap repareren door een bevoegde reparateur die alleen originele reserveonderdelen gebruikt. *Zo bent u er zeker van dat uw gereedschap veilig blijft.*
- b) Repareer nooit beschadigde accu's. *Reparatie van accu's mag alleen worden uitgevoerd door de fabrikant of geautoriseerde onderhoudstechnici.*

- als paperclips, muntstukken, sleutels, nagels, schroeven en andere kleine metalen voorwerpen die de contacten van de accupack kunnen verbinden. Kortgesloten contacten van accupacks kunnen brandwonden of brand veroorzaken.
- c) Stel accupacks niet bloot aan warmte of vuur. Vermijd opslag in direct zonlicht.
- d) Stel accupacks niet bloot aan mechanische schokken.
- e) Als een accu lekt dient men voorzichtig te zijn dat de vloeistof niet in contact komt met de huid of de ogen. Als dat toch gebeurt spoelt men de huid onder stromend water en raadpleegt men een arts.
- f) Houd batterijcellen en accupacks schoon en droog.
- g) Veeg de aansluitingen van het accupack schoon met een droge doek als ze vuil zijn geworden.
- h) Accupacks moeten voor gebruik worden opgeladen. Lees de gebruiksaanwijzing voor de juiste laadinstructies.
- i) Laat accupacks niet langdurig opladen als ze niet worden gebruikt.
- j) Na een lange opslagperiode kan het nodig zijn het accupack enkele keren op te laden en te ontladen voor een optimale prestatie.
- k) Laad uitsluitend op met de door de fabrikant gespecificeerde oplader. Gebruik geen andere oplader dan die specifiek is meegeleverd voor gebruik met de apparatuur.
- l) Gebruikt geen accupack dat niet bedoeld is voor gebruik met deze apparatuur.
- m) Houd accupacks buiten het bereik van kinderen.
- n) Bewaar de oorspronkelijke instructies van het product voor latere gebruik.
- o) Verwijder het batterijpakket uit de apparatuur als het niet in gebruik is.
- p) Volg de juiste procedure voor afvalverwijdering na afdanken van dit apparaat.
- q) Gebruik geen cellen van verschillende fabrikanten, capaciteit, afmetingen of typen binnen een apparaat.
- r) Houd de batterij uit de buurt van magnetrons en hoog druk.
- s) **Waarschuwing!** Gebruik geen nietoplaadbare batterijen.

VEILIGHEIDSWAARSCHUWING VOOR SLAGMOERSLEUTELS

- 1. Houd het elektrische gereedschap bij de geïsoleerde handgrepen vast tijdens het uitvoeren van werk op plaatsen waar het metaal in contact kan komen met verborgen kabels. *Contact met een draad die onder stroom staat, zorgt ervoor dat de metalen delen van de machine ook onder stroom komen te staan, waardoor u een elektrische schok kunt krijgen.*

VEILIGHEIDSinSTRUCTIES VOOR HET ACCUPACK

- a) Batterijcellen en accupacks mogen niet gede monteerd, geopend of vernietigd worden.
- b) Sluit accupacks niet kort. Bewaar accupacks niet willekeurig in een doos of lade waar ze elkaar kunnen kortsluiten of door geleidende voorwerpen kortgesloten kunnen worden. Houd het accupack op een afstand van andere metalen voorwerpen

VEILIGHEID VAN HET PRODUCT

VEILIGHEIDSGEGEVINGEN



WAARSCHUWING! Lees alle veiligheidsvoorschriften en instructies.

Lees alle instructies zorgvuldig door. Indien u zich niet aan alle onderstaande instructies houdt, kan dat leiden tot een elektrische schok, brand en/of ernstig letsel.

Bewaar alle waarschuwingen en instructies voor latere naslag.

Dit toestel kan worden gebruikt door kinderen vanaf 8 jaar en personen met een verminderde lichamelijke, zintuiglijke of mentale vermogens, of met gebrek aan ervaring en kennis, als ze onder toezicht staan of de nodige instructies betreffende het veilige gebruik van het apparaat hebben ontvangen en als ze de gevaren begrijpen. Kinderen mogen niet met het toestel spelen. De reiniging en het gebruikersonderhoud mogen niet gebeuren door kinderen zonder toezicht. Wanneer de stroomtoevoerdraad beschadigd is, dient deze vervangen te worden door de fabrikant, de reparatiedienst of een soortgelijk bevoegde persoon, om zo gevaren te voorkomen.

1. Lees de instructies voor u begint met laden
2. Lekkende batterijen niet verwisselen.
3. Gebruik acculaders niet voor andere doelen dan die waarvoor ze ontworpen zijn.
4. De lader alleen aansluiten op een wisselstroomvoeding.
5. Alleen voor gebruik binnenshuis, niet

- blootstellen aan regen of water.
6. De acculader mag niet blootgesteld worden aan water en vocht.
7. De lader niet buiten gebruiken.
8. De contacten van de batterij of de lader niet kortsluiten.
9. De polariteit respecteren bij het opladen.
10. Open de acculader niet en houdt hem buiten bereik van kinderen.
11. Laad geen accu's van andere merken op.
12. Zorg ervoor dat de connectie tussen de acculader en de accu juist is gepositioneerd.
13. Houd de aansluitingen van de acculader vrij van vreemde voorwerpen en bescherm deze tegen vuil en vocht. Bewaar de acculader in een droge en vorstvrije ruimte.
14. Tijdens het laadproces, zorg ervoor dat de acculader zich in een goed geventileerde ruimte bevindt, uit de buurt van licht ontvlambare materialen. Accu's kunnen heet worden tijdens het laden. Overlaad accu's niet. Laat accu's en acculaders niet onbewaakt tijdens het laadproces.
15. Probeer geen niet-oplaadbare accu's te laden, deze kunnen oververhit raken.
16. U krijgt een langere levensduur en betere prestaties als de batterij wordt geladen met een luchttemperatuur tussen 18°C en 24°C. Laad de batterij niet bij een luchttemperatuur onder 0°C of boven 40°C. U kunt daarmee ernstige schade aan de batterij veroorzaken.
17. Laad alleen accu's op van hetzelfde model geleverd door de fabrikant en van modellen aanbevolen door de fabrikant.

ACCU SLAGMOERSLEUTEL

SYMBOLLEN



Om het risico op letsels te beperken, moet u de gebruikershandleiding lezen



Waarschuwing



Draag oorbescherming



Draag een veiligheidsbril



Draag een stofmasker

Afgedankte elektrische producten mogen niet bij het normale huisafval terechtkomen. Breng deze producten waar mogelijk naar een recyclecentrum bij u in de buurt. Vraag de verkoper of de gemeente informatie en advies over het recyclen van elektrische apparatuur.



of de gemeente informatie en advies over het recyclen van elektrische apparatuur.



Lees de gebruiksaanwijzing



Uitsluitend voor binnengebruik



Positieve aansluiting

— Negatieve aansluiting



Zekering



Veiligheidsklasse



Niet verbranden



Accu's kunnen in de waterkringloop terechtkomen als ze op onjuiste wijze worden weggegooid, wat gevaarlijk kan zijn voor het ecosysteem. Gooi afgedankte accu's niet weg bij het ongesorteerde huishoudelijke afval.



Li-Ion-accu Dit product is uitgerust met een symbool dat 'gescheiden inzameling' aanduidt voor alle accu's. Ze worden dan gerecycled of gedemonteerd om de impact op het milieu te verminderen. Accu's kunnen gevaarlijk zijn voor het milieu en de menselijke gezondheid, omdat ze gevaarlijke stoffen bevatten.

COMPONENTENLIJST

1. BEDIENING VOOR VOORUIT/ACHTERUIT ROTATIE
2. AAN/UIT-SCHAKELAAR
3. ZACHTE HANDGREEP
4. RIEMCLIP
5. BATTERIJPAKKET *
6. ONTGRENDELKNOP VOOR BATTERIJPAKKET *
7. LED-LICHT
8. GEREEDSCHAPSHOUDER

* Niet alle geïllustreerde of beschreven accessoires zijn opgenomen in de standaard levering.

TECHNISCHE GEGEVENS

Type IW20S-250 & IW20S-250T2T (20S-250-aanduiding van machines, vertegenwoordiger van de roterende hamers)

	IW20S-250	IW20S-250T2T
Spanning	18V $\overline{=}$ (20V Max.)	
Geen laadsnelheid	0-2900 /min	
Aantal slagen onbelast	0-3000 bpm	
Max. Koppel	250 Nm	
Spanwijdte boorhouder	1/2" Vierkant	
Accupack	/	BI20-2 (2.0Ah)
Lader	/	C20-2 (2.0A)
Machinegewicht	1.3kg	1.8kg

GESCHIKTE BATTERIJEN

Artikelnummer	BI20-2	BI20-4
Batteri capaciteit	2.0Ah	4.0Ah
	Inbegrepen	Niet inbegrepen

GESCHIKTE OPLADERS

Artikelnummer	C20-2	C20-4
Ingang oplader	100-240V~50/60Hz, 55W	100-240V~50/60Hz, 95W
Uitgang oplader	20V $\overline{=}$ 2.0A	20V $\overline{=}$ 4.0A
Laadtijd (ongeveer)	1hr (2.0 Ah) 2hrs (4.0 Ah)	30mins (2.0 Ah) 60mins (4.0 Ah)
Oplader beschermingsklasse	\square /II	\square /II
	Inbegrepen	Niet inbegrepen

ACCU SLAGMOERSLEUTEL

GELUIDSPRODUCTIE

A-gewogen geluidsdruk	L_{pA} : 89.4dB (A)
A-gewogen geluidsniveau	L_{wA} : 97.4dB (A)
K_{pA} & K_{wA}	3dB (A)
Draag oorbescherming.	

TRILLINGSGEGEVENS

Totale trillingswaarden (som triax vector) bepaald volgens EN 62841:
Trillingsemissie waarde: $a_h = 12.9m/s^2$
Onzekerheid $K = 1.5m/s^2$

De gedeclareerde totale trillingswaarde en de gedeclareerde geluidsemisiewaarde zijn gemeten volgens een standaard testmethode en kunnen worden gebruikt om één gereedschap te vergelijken met een ander. De gedeclareerde totale trillingswaarde en de gedeclareerde geluidsemisiewaarde kunnen ook worden gebruikt bij een voorlopige beoordeling van de blootstelling.

! **WAARSCHUWING!** De trillingsemisiewaarde tijdens het feitelijke gebruik van dit elektrisch gereedschap kan afwijken van de opgegeven waarde, afhankelijk van de wijze waarop het gereedschap wordt gebruikt, zoals in de volgende voorbeelden:

Hoe de machine gebruikt wordt en hoe het materiaal gesneden of geboord wordt.

De conditie en de onderhoudstoestand van de machine.

Gebruik van de juiste toebehoren. Zorg ervoor dat ze scherp zijn en in goede conditie.

Hoe stevig de handgreep wordt vastgehouden en of er anti-trilling en -geluidsaccessoires worden gebruikt. De machine moet gebruik worden zoals door de ontwerper bedoeld is en in overeenstemming met deze instructies.

Deze machine kan een trillingssyndroom in hand en arm veroorzaken als hij niet op de juiste wijze gehanteerd wordt.

! **WAARSCHUWING!** Voor de nauwkeurigheid moet bij een schatting van het blootstellingsniveau in de feitelijke gebruiksomstandigheden rekening worden gehouden met alle delen van de bewerking, zoals het moment dat de machine wordt uitgeschakeld en de tijden waarop de machine loopt zonder daadwerkelijk gebruikt te worden. Dit kan het blootstellingsniveau over de totale werkperiode aanzienlijk verminderen.

Het risico op blootstelling aan trillingen en geluid verminderen.

Gebruik **ALTIJD** scherpe beitels, boren en zaagbladen.

Onderhoud de machine volgens deze instructies en houd hem goed gesmeerd (voor zover van toepassing).

Als het gereedschap regelmatig wordt gebruikt, investeer dan in anti-trilling en -geluidsaccessoires. Plan de werkzaamheden zodat de taken met veel trillingen over een aantal dagen verspreid worden.

ACCESSORIES

	IW20S-250	IW20S-250T2T
Riemclip	1	1
Batterijpakket	/	2
Oplader	/	1

We raden u aan uw accessoires te kopen in dezelfde winkel die u de tool heeft verkocht. Zie de accessoire-verpakking voor meer informatie. Winkelpersoneel kan u helpen met advies.

BEDIENINGSIN- STRUCTIES



OPMERKING: Lees de handleiding zorgvuldig door voordat u het gereedschap gebruikt.

BEOOGDE GEBRUIK

Dit apparaat is bestemd voor het vast- en losdraaien van bouten, moeren en verschillende andere bevestigingen met schroefdraad. Dit apparaat is niet bestemd voor gebruik als een boor.

VOOR HET STARTEN

1. LAAD HET BATTERIJPAKKET OP

Gebruik geen andere oplader dan die specifiek voor gebruik met het apparaat is meegeleverd. Als het batterijpakket erg heet is, moet u het batterijpakket uit de oplader halen en de tijd nemen om de batterij af te laten koelen voordat u deze opnieuw oplaadt. Laad de batterij volledig op voordat u deze opbergt. Als het gereedschap lange tijd niet gebruikt zal worden, laad de batterij dan elke 3 maanden op.

- OPLAADPROCEDURE (ZIE AFB. A1)

- 1) Steek de oplader in een geschikt stopcontact. Het groene licht zal oplichten.
- 2) Schuif het batterijpakket in de oplader, zorg ervoor dat de batterij stevig in de juiste oplaadpositie zit. Het groene licht zal uitgaan en het rode licht zal oplichten om aan te geven dat het oplaadproces is begonnen.
- 3) Wanneer het opladen voltooid is, zal het rode licht uitgaan en het groene licht zal oplichten.
- 4) Nadat het volledig opgeladen is, ontkoppel de oplader en verwijder het batterijpakket.

OPMERKING: Als het batterijpakket in de oplader vastzit, druk dan op de ontgrendelknop van het batterijpakket en verwijder het.



WAARSCHUWING! Wanneer de acculading opraakt na continu gebruik of door blootstelling aan direct zonlicht of hitte, laat de batterij afkoelen voordat u deze oplaadt, zodat deze volledig kan worden opgeladen.

- OPLAADINDICATOR (ZIE AFB. A2)

Deze oplader is ontworpen om problemen op

te sporen die voor kunnen komen met een set batterijen. De indicatorlichtjes geven problemen aan (zie de tabel hieronder). Voer, als dit gebeurt, nieuwe batterijen in om na te gaan of de oplader goed is. Als de nieuwe batterijen wel correct opladen, werkt de andere set niet goed. Deze batterijen moeten naar een onderhouds- of recyclingcentrum worden gebracht. Als de nieuwe batterijen hetzelfde probleem tonen als de andere set, laat dan de oplader testen in een gecertificeerd servicecentrum.

Licht	Aan/ knipperlicht	Status
Rood aan 		Batterij laadt op
Rood knipperend 	- - - - -	Batterij defect
Groen aan 		Volledig geladen
Groen knipperend 	- - - - -	Hete/koude vertraging

- CONTROLEREN VAN DE STROOMTOESTAND VAN DE BATTERIJ (ZIE AFB. A3)

Het batterijniveau kunt u aflezen aan het batterij-indicatielampje door op de knop naast de lampjes te drukken.

2. HET AANPASSEN VAN DE HAAK EN LUS SCHUREN PAPIER (ZIE AFB. B1, B2)


Om de accu te verwijderen, drukt u eerst stevig op de ontgrendelknop van de accu en schuift u vervolgens de accu uit het gereedschap. Om de accu te installeren, schuift u de volledig opgeladen accu met voldoende kracht op het gereedschap totdat deze op zijn plaats klikt.

3. HET PLAATSEN OF VERWIJDEREN VAN EEN DOPSLEUTEL OP DE GEREEDSCHAPSHOUDER (NIET MEEGELEVERD) (ZIE FIG. C)

Om de dop te installeren, steek de dop op de gereedschapshouder. Om de

ACCU SLAGMOERSLEUTEL

dop te verwijderen, trek de dop uit de gereedschapshouder.

 **WAARSCHUWING:** Controleer de gereedschapshouders en dop zorgvuldig voordat u het gereedschap gebruikt. Ontbrekende of beschadigde items moeten worden vervangen. Zorg ervoor dat de schakelaar is vergrendeld of verwijder de batterij voordat u accessoires verwisselt.

FUNCTIONEERT


1. BLOKKERINGSSCHAKELAAR (ZIE FIG. D1)

De aan/uit-schakelaar kan in de UIT-positie worden vergrendeld. Dit helpt de mogelijkheid van onbedoelde activering te verminderen wanneer deze niet in gebruik is. Als u de schakelaar naar aan/uit wilt vergrendelen, voorwaarts en achteruit van het rotatie besturingselement naar voren en naar achteren in de middelste positie.

2. VOORWAARTS EN ACHTERUIT VAN HET ROTATIE BESTURINGSELEMENT (ZIE FIG. D2-D3)

Voor voorwaartse rotatie (met de boorkop van je af), verplaatst de rotatiebediening naar links.


Voor achterwaartse rotatie (met de boorkop van je af), verplaatst de rotatiebediening naar rechts.

 **WAARSCHUWING:** Verander nooit de draairichting terwijl het gereedschap draait, wacht tot het stopt.

3. BEDIENING VAN DE AAN/UIT-SCHAKELAAR (ZIE FIG. E)

Druk in om uw gereedschap te starten en laat los om te stoppen. De aan/uit-schakelaar is uitgerust met een remfunctie die uw boorkop onmiddellijk stopt wanneer u de schakelaar snel loslaat. Het is ook een variabele snelheidsschakelaar die hogere snelheid en koppel levert bij toenemende druk op de trekker. De snelheid wordt geregeld door de hoeveelheid druk op de schakelaar.

Opmerking: alleen door de rotatiebediening naar links/rechts te duwen, kan de aan/uit-schakelaar worden ingedrukt.

 **WAARSCHUWING:** Bedien het gereedschap niet gedurende lange tijd op lage snelheid, omdat er intern te veel warmte wordt geproduceerd.

4. GEBRUIK VAN DE LED-LAMP

Om het licht in te schakelen, drukt u eenvoudig op de aan/uit-schakelaar. Wanneer u de aan/uit-schakelaar loslaat, gaat het licht enkele seconden later uit.

LED-verlichting verbetert de zichtbaarheid in donkere of afgesloten ruimtes.

5. HOE DE RUGCLIP TE GEBRUIKEN (ZIE FIG. F1, F2)

Schroef de riemclip met de op de instrumenten schroef in de plastic zak. De riemclip kan worden genomen in de riem of in de zak, enz.

6. OVERBELASTING BESCHERMING

Bij overbelasting stopt de motor. Neem een oplaadmachine en laat onmiddellijk koeling voor ongeveer 30 seconden op de hogere laadsnelheid.

7. TEMPERATUUR AFHANKELIJKE OVERBELASTING BESCHERMING

Bij gebruik zoals bedoeld voor het elektrische gereedschap kan niet worden overbelast. Wanneer de belasting te hoog is of de toegestane accutemperatuur van 75°C overschrijdt, schakelt het elektronische besturingssysteem het apparaat uit totdat de temperatuur weer het optimale temperatuurbereik bereikt.

ONDERHOUD

Trek de voedingskabel uit de aansluiting voordat u eventuele aanpassingen, reparaties of onderhoud uitvoert.

Dit elektrische gereedschap hoeft niet extra gesmeerd of onderhouden te worden.

Dit gereedschap bevat geen onderdelen waaraan de gebruiker onderhoud kan of moet uitvoeren. Gebruik nooit water of chemische reinigingsmiddelen voor het schoonmaken van uw elektrische gereedschap. Veeg het schoon met een droge doek. Bewaar uw elektrische gereedschap altijd op een droge plek. Houd de ventilatiegleuven van de motor schoon. Houd alle bedieningselementen vrij van stof. Er kunnen vonken zichtbaar zijn in de ventilatiegleuven. Dit is normaal en leidt niet tot beschadiging van uw gereedschap.

VOOR GEREEDSCHAP MET ACCU'S

De omgevingstemperatuur voor het gebruik en de opslag van het gereedschap ligt tussen 0°C-45°C.

De aanbevolen omgevingstemperatuur voor het oplaadsysteem tijdens het opladen ligt tussen 0°C-40°C.

PROBLEEMOPLOSSINGEN

1. Wat is de functie van de vooruit/achteruit roterende schakelaar?

De vooruit/achteruit roterende functie stelt u in staat om de richting van de motor te veranderen. De vooruitstand is bedoeld voor het vastdraaien. De achteruitstand is bedoeld voor het losdraaien.

2. Waarom schakelt de slagmoersleutel niet in wanneer u op de schakelaar drukt?

De knop voor vooruit/achteruit rotatie, bovenop de trigger, staat op de vergrendelingsfunctie. Ontgrendel de knop voor vooruit/achteruit rotatie door deze in de gewenste draaistand te zetten. Druk op de trigger en de slagmoersleutel begint te draaien.

BESCHERMING VAN HET MILIEU



Afgedankte elektrische producten mogen niet bij het normale huisafval terechtkomen.

Breng deze producten waar mogelijk naar een recyclecentrum bij u in de buurt. Vraag de verkoper of de gemeente informatie en advies over het recyclen van elektrische apparatuur.

ACCU SLAGMOERSLEUTEL

EC Verklaring van Overeenstemming



Wij : **HYUNDAI Corporation Holdings Europe**
Am Kronberger Hang 2A, 65824, Schwalbach am Taunus
Germany

Verklaren dat het onderstaande product :
Accu slagmoersleutel

MODEL: IW20S-250 & IW20S-250T2T
FUNCITIE: Schroeven en moeren vast- en losmaken

Voldoet aan de vereisten van de richtlijnen van de Raad:
2006/42/EC, 2011/65/EU & (EU)2015/863,
2014/30/EU, (EU)2023/1542, 2014/35/EU, (EU)2023/1542, 2014/35/EU

Normen voldoen aan:
EN 62841-1, EN 62841-2-2, EN IEC 55014-1,
EN IEC 55014-2, EN IEC 63000, EN 62133-2,
EN 60335-1, EN 60335-2-29, EN 62233,
EN IEC 55014-1, EN IEC 55014-2, EN IEC 61000-3-2, EN 61000-3-3

De persoon die bevoegd is om het technisch dossier samen te stellen,
Naam: **Hyundae Kim**
Adres: **HYUNDAI Corporation Holdings Europe**
65824 Schwalbach am Taunus, Germany

Algemeen directeur


Jaiwon Hur

Projectmanager

Sungwoo Hong

Datum : 2024.09.25

INSTRUCȚIUNI ORIGINALE SECURITATEA PRODUSULUI AVERTISMENTE GENERALE DE SIGURANȚĂ PENTRU UNELTE ELECTRICE

 **ATENȚIONARE!** Citiți toate atenționările de siguranță și parcurgeți toate instrucțiunile, ilustrațiile și specificațiile atașate acestei scule electrice. Nerespectarea tuturor instrucțiunilor enumerate mai jos poate duce la electrocutare, incendiu și/ sau leziune corporală gravă.

Păstrați toate avertismentele și instrucțiunile pentru consultări ulterioare.

Termenul „unealtă electrică” din avertismente se referă la o unealtă electrică alimentată de la rețeaua de energie electrică (prin cablu) sau la o unealtă electrică alimentată de la un acumulator (fără cablu).

1. Siguranța zonei de lucru

- a) **Mentțineți zona de lucru curată și bine iluminată.** Zonele de lucru în dezordine și întunecoase favorizează accidentele.
- b) **Nu utilizați uneltele electrice în atmosfere explozive, de exemplu în prezența unor lichide, gaze sau praf inflamabile.** Uneltele electrice provoacă scânteii ce pot aprinde pulbera sau vaporii.
- c) **Asigurați-vă că nu sunt în apropiere persoane și copii în timpul funcționării unei unelte electrice.** Distragerea atenției poate duce la pierderea controlului uneltei.

2. Siguranța electrică

- a) **Fișele uneltei electrice trebuie să se potrivească perfect în priza de alimentare.** Nu modificați niciodată ștecherul. Nu folosiți niciun adaptor pentru uneltele electrice cu împământare. Utilizarea ștecherelor nemodificate în prize corespunzătoare va reduce riscul electrocutării.

- b) **Evitați contactul fizic cu suprafețe cu legătură la pământ, cum ar fi țevi, radiatoare, mașini de gătit sau frigider.** Riscul electrocutării este mai mare în cazul în care corpul dumneavoastră vine în contact cu suprafața împământată.
- c) **Nu expuneți uneltele electrice la ploaie sau la umiditate.** Dacă intră apă în unealta electrică, riscul electrocutării este mai mare.
- d) **Nu deteriorați cablul de alimentare.** Nu folosiți niciodată cablul pentru transportarea, tragerea sau scoaterea din priză a uneltei electrice. Păstrați cablul de alimentare la distanță de căldură, ulei, margini ascuțite sau părți mobile. Cablurile deteriorate sau încurcate măresc riscul electrocutării.
- e) **Când folosiți unealta electrică în exterior, utilizați un prelungitor potrivit pentru utilizarea în exterior.** Utilizarea unui cablu potrivit pentru uzul în exterior reduce riscul electrocutării.
- f) **Dacă utilizarea uneltei electrice într-un loc umed nu poate fi evitată, folosiți o alimentare protejată cu dispozitiv de curent rezidual (RCD).** Folosirea unui dispozitiv RCD reduce riscul electrocutării.

3. Siguranța personală

- a) **Fiți concentrat, urmăriți ceea ce faceți și dați dovadă de simț practic când folosiți o unealtă electrică.** Nu folosiți o unealtă electrică dacă sunteți obosit sau sub influența drogurilor, a alcoolului sau a medicamentelor. O clipă de neatenție în timpul funcționării uneltei electrice poate duce la accidentări personale grave.
- b) **Folosiți echipament personal de protecție.** Purtați întotdeauna ochelari de protecție. Echipamentele de protecție precum masca de protecție contra prafului, încălțămintea cu talpă antiderapantă, casca sau protecția pentru urechi vor reduce riscul accidentărilor, utilizate în mod corespunzător.
- c) **Preveniți punerea accidentală în funcțiune.** Asigurați-vă că întrerupătorul se află în poziția de oprire înainte de a face conectarea la sursa de alimentare și/sau la acumulator, înainte de a ridica sau a transporta unealta. Transportarea

CHEIE CU IMPACT FĂRĂ FIR

uneltelor electrice ținând degetul pe întrerupător sau alimentarea acestora cu întrerupătorul pornit poate duce la accidente.

- d) Scoateți orice cheie de reglare sau cheie de piulițe înainte de a porni unealta electrică. O cheie de piulițe sau o altă cheie rămasă prinsă de o componentă rotativă a unelei poate duce la rănirea personală.
- e) Păstrați un echilibru corect. Mențineți-vă permanent echilibrul și sprijiniți-vă ferm pe picioare. Acest lucru permite un control mai bun al unelei electrice în situații neprevăzute.
- f) Îmbrăcați-vă corespunzător. Nu purtați îmbrăcăminte prea largă sau bijuterii. Țineți la distanță părul și hainele dvs. de piesele în mișcare ale unelei electrice. Hainele prea largi, bijuteriile și părul lung se pot prinde în piesele mobile.
- g) Dacă sunt furnizate accesoriile pentru conectarea unor dispozitive de aspirare și colectare a prafului, asigurați-vă că acestea sunt montate și folosite corect. Folosirea colectorului de praf poate reduce riscul accidentărilor din cauza prafului.
- h) Nu lăsați ca odată cu familiarizarea dvs. cu utilizarea unelei să deveniți indolenți și să uitați respectarea principiilor de siguranță ale unelei electrice. Orice acțiune nesăbuită poate duce la leziuni corporale grave într-o fracțiune de secundă.

4. Utilizarea și întreținerea uneltelor electrice

- a) Nu forțați unealta electrică. Folosiți unealta electrică potrivită pentru aplicație. Cu unealta electrică potrivită, veți lucra mai bine și mai în siguranță, la viteza pentru care a fost concepută.
- b) Nu folosiți unealta electrică dacă nu o puteți porni sau opri de la întrerupător. Orice unealtă electrică ce nu poate fi acționată de la întrerupător este periculoasă și trebuie reparată.
- c) Scoateți ștecherul din sursa de curent și/ sau scoateți bateria din unealta electrică înainte de a efectua reglaje, de a schimba accesoriile sau de a depozita unelte electrice. Astfel de măsuri de siguranță reduc

riscul pornirii accidentale a unelei electrice.

- d) Nu lăsați uneltele electrice la îndemâna copiilor și nu permiteți persoanelor ce nu știu să le manevreze și nu cunosc instrucțiunile să acționeze aceste unelte. Uneltele electrice sunt periculoase în mâinile utilizatorilor neinstruiți.
 - e) Întreținerea unelei electrice și ale accesoriilor aferente. Verificați posibila aliniere incorectă sau posibila blocare a componentelor mobile, deteriorarea componentelor sau orice alte situații care pot afecta funcționarea unelei electrice. Dacă unealta electrică este deteriorată, reparați-o înainte de utilizare. Multe accidente sunt provocate din cauza întreținerii incorecte a uneltelor.
 - f) Unelte de tăiere trebuie menținute ascuțite și curate. Riscul blocării uneltelor de tăiere cu margini ascuțite întreținute corect este mai mic și acestea sunt mai ușor de controlat.
 - g) Folosiți unealta electrică, accesoriile, piesele etc. conform acestor instrucțiuni, luând în considerare condițiile de lucru și operația de efectuat. Folosirea unelei electrice pentru operații diferite de cele pentru care a fost concepută poate duce la accidente.
 - h) Păstrați uscate, curate și fără urme de ulei sau grăsime mânerul și suprafețele de apucare ale unelei. Mânerul și suprafețele de apucare alunecoase împiedică manipularea și controlul sigur al unelei tocmai în cele mai neașteptate situații.
- ### 5. Utilizarea și întreținerea uneltelor cu acumulatori
- a) Efectuați reincărcarea numai cu încărcătorul specificat de producător. Un încărcător adecvat pentru un anumit tip de acumulator poate prezenta risc de incendiu dacă este utilizat cu alt tip de acumulator.
 - b) Folosiți mașinile electrice numai cu acumulatorii special destinați acestora. Utilizarea oricăror altor acumulatori poate prezenta risc de rănire și de incendiu.
 - c) Când nu folosiți acumulatorul, țineți-l la distanță de obiecte metalice precum agrafe de birou, monede, chei, cuie, șuruburi sau alte obiecte metalice mici,

ce pot constitui o legătură între cele două borne. *Un scurtcircuit al bornelor acumulatorului poate duce la arsuri sau incendii.*

- d) **În condiții necorespunzătoare de utilizare, se poate prelinge lichid din acumulator; evitați contactul. În caz de producere accidentală a contactului, clătiți bine cu apă. Dacă v-a intrat lichid în ochi, consultați imediat medicul. Lichidul expulzat din acumulator poate cauza iritații sau arsuri.**
- e) **Nu utilizați acumulatorul sau scula dacă acestea sunt deteriorate sau modificate. Acumulatorii deteriorați sau modificați se pot comporta într-un mod impredictibil, crescând riscul unui incendiu, unei explozii sau leziunilor corporale.**
- f) **Evitați expunerea la foc și la temperaturi excesive a acumulatorului sau a sculei. Expunerea la foc sau la temperaturi care depășesc 130°C poate duce la explozie.**
- g) **Respectați toate instrucțiunile de reîncărcare și nu încărcați acumulatorul sau scula decât în plaja de temperaturi specificată în instrucțiuni. Reîncărcarea necorespunzătoare sau la temperaturi din afara plajei de temperaturi specificate poate duce la deteriorarea acumulatorului și la creșterea riscului de incendiu.**
6. **Service**
- a) **Service-ul uneltei electrice trebuie efectuat de persoane calificate, folosind doar piese de schimb originale. Acest lucru va asigura folosirea în continuare a uneltei electrice în siguranță.**
- b) **Nu reparați niciodată acumulatorii deteriorați. Service-ul acumulatorilor trebuie efectuat numai de către fabricant sau de centre de service autorizate.**

INSTRUCȚIUNI DE SIGURANȚĂ PENTRU MAȘINA DE ÎNȘURUBAT CU ÎMPULSURI

1. Prindeți scula electrică de mânerul izolat atunci când executați operații în

cursul cărora dispozitivul de fixare poate atinge conductorii ascunși. *Contactul dintre dispozitivul de fixare și un conductor electric aflat sub tensiune poate pune sub tensiune componentele metalice ale sculei electrice și electrocuta utilizatorul.*

AVERTISMENTE PRIVIND SIGURANȚA PENTRU ACUMULATOR

- a) **Nu demontați, deschideți sau rupeți celulele sau acumulatorul.**
- b) **Nu scurtcircuitați un acumulator. Nu depozitați acumulatorii la întâmplare într-o cutie sau într-un sertar unde s-ar putea scurtcircuita între ele sau prin materiale conductoare. Când acumulatorul nu este utilizat, țineți-l la distanță de alte obiecte metalice, precum agrafele de birou, monede, chei, cuie, șuruburi sau alte obiecte metalice mici, care pot crea contact între cele două borne. Scurtcircuitarea bornelor acumulatorului poate cauza arsuri sau incendii.**
- c) **Nu expuneți acumulatorul la căldură sau foc. Evitați depozitarea în lumina directă a soarelui.**
- d) **Nu supuneți acumulatorul la șocuri mecanice.**
- e) **În cazul scurgerii acumulatorului, aveți grijă ca lichidul să nu intre în contact cu pielea sau ochii. În cazul contactului, spălați zona afectată cu apă din belșug și solicitați asistență medicală.**
- f) **Mențineți acumulatorul curat și uscat.**
- g) **Ștergeți bornele acumulatorului cu o cârpă curată și uscată dacă se murdăresc.**
- h) **Acumulatorul trebuie încărcat înainte de utilizare. Consultați întotdeauna aceste instrucțiuni și utilizați procedura de încărcare corectă.**
- i) **Nu lăsați acumulatorul la încărcat dacă nu îl utilizați.**
- j) **După perioade extinse de depozitare, poate fi necesară încărcarea și descărcarea acumulatorului de mai multe ori pentru a obține performanțe maxime.**

CHEIE CU IMPACT FĂRĂ FIR

- k) **Reîncărcați doar cu încărcătorul specificat de producător. Nu utilizați niciun alt încărcător decât cel furnizat special pentru utilizarea cu echipamentul.**
- l) **Nu utilizați acumulatori care nu sunt concepuți pentru utilizarea cu acest echipament.**
- m) **Nu lăsați acumulatorul la îndemâna copiilor.**
- n) **Păstrați documentația originală a produsului pentru consultări ulterioare.**
- o) **Scoateți acumulatorul din echipament dacă nu îl utilizați.**
- p) **Depuneți acumulatorul la deșeurile în mod corespunzător.**
- q) **Nu introduceți în aparat acumulatori care provin de la producători diferiți sau cu capacități, dimensiuni sau tipuri diferite.**
- r) **Țineți acumulatorul departe de microunde și presiune ridicată.**
- s) **Atenție! Nu utilizați baterii nereîncărcabile.**

SECURITATEA PRODUSULUI INSTRUCȚIUNI DE SIGURANȚĂ

⚠️ AVERTISMENT! Citiți toate avertismentele privind siguranța și toate instrucțiunile. Nerespectarea avertismentelor și instrucțiunilor poate duce la șoc electric, incendiu și/sau accidentare gravă.

Păstrați toate avertismentele și instrucțiunile pentru consultări ulterioare.

Acest echipament poate fi utilizat de copiii cu vârsta minimă de 8 ani sau de persoanele cu capacități fizice, senzoriale sau mentale reduse sau lipsite de experiență și cunoștințe numai dacă acestea au fost supravegheate sau instruite cu privire la utilizarea aparatului în mod sigur și înțeleg pericolele implicate. Copiii nu au voie să se joace cu echipamentul. Procedura de curățare și procedura de întreținere efectuată de către utilizator nu vor fi efectuate de copii fără supraveghere.

În cazul în care cordonul de alimentare este deteriorat, trebuie înlocuit de producător, agentul său de service sau de persoane calificate, pentru evitarea pericolului.

1. Înainte de încărcare, citiți instrucțiunile.
2. Nu încărcați o baterie care curge.
3. Nu utilizați încărcătoare pentru alte lucrări decât cele pentru care acestea sunt concepute.
4. Conectați încărcătorul numai la o sursă de alimentare c.a.
5. Numai pentru uz în interior, nu expuneți la ploaie.
6. Dispozitivul de încărcare trebuie protejat de umezeală.
7. Nu utilizați încărcătorul în aer liber.
8. Nu scurtcircuitați contactele bateriei sau încărcătorului.
9. Respectați polaritatea „+/-” în timpul încărcării.
10. Nu deschideți unitatea și mențineți departe de accesul copiilor.
11. Nu încărcați bateriile altor producători.
12. Asigurați-vă că conexiunea între încărcătorul bateriei și baterie este poziționată corect și că nu este obstrucționată de corpuri străine.
13. Mențineți renurile încărcătorului bateriei fără corpuri străine și protejările împotriva murdăriei și umidității. Depozitați în loc uscat și fără îngheț.
14. Atunci când încărcați bateriile, asigurați-vă că bateria se află într-o zonă bine ventilată și departe de materiale inflamabile. Bateriile se pot înfierbânta în timpul încărcării. Nu supraîncărcați nicio baterie. Asigurați-vă că bateriile și încărcătoarele nu sunt lăsate nesupravegheate în timpul încărcării.
15. Nu încărcați din nou bateriile nereîncărcabile, întrucât se pot supraîncălzi sau rupe.
16. Viața mai lungă și performanța mai bună pot fi obținute, dacă acumulatorul este încărcat la o temperatură a aerului între 18°C și 24°C. Nu încărcați acumulatorul la temperaturi ale aerului de sub 0°C, sau de peste 40°C. Acest lucru este important, întrucât poate preveni pagube considerabile la acumulator.
17. Incărcați doar pachetul de baterii de același model furnizat de producător și modelele recomandate de producător.

SIMBOLURI



Pentru a reduce riscul de accidentări, utilizatorul trebuie să citească manualul de instrucțiuni



Atenționare



Purtați echipament de protecție pentru urechi



Purtați echipament de protecție pentru ochi



Purtați mască de protecție contra prafului



Produsele electrice nu trebuie depuse la deșeurile împreună cu gunoiul menajer. Vă rugăm să depuneți produsele electrice la unitățile de reciclare existente. Consultați cu autoritățile locale sau cu distribuitorul pentru sfaturi privind reciclarea.



Consultați manualul



Numai pentru uz în interior



Terminal pozitiv

— Terminal negativ



Siguranță



Izolație dublă



Niet verbranden



Accu's kunnen in de waterkringloop terecht komen als ze op onjuiste wijze worden weggegooid, wat gevaarlijk kan zijn voor het ecosysteem. Gooi afgedankte accu's niet weg bij het ongesorteerde huishoudelijke afval.



Baterie Li-Ion. Acest produs a fost marcat cu simbolul referitor la 'colectarea separată' a tuturor blocurilor de baterii și a carcasi de baterie. Acestea vor fi apoi reciclate sau demontate pentru a se reduce impactul asupra mediului. Blocurile de baterii pot fi periculoase pentru mediu și sănătatea umană pentru că ele conțin substanțe periculoase.

CHEIE CU IMPACT FĂRĂ FIR

LISTA COMPONENTELOR

1. CONTROL PENTRU ROTAȚIA ÎNAINTE/ÎNAPOI
2. BUTON DE PORNIRE/OPRIRE
3. MÂNER CU PRINDERE MOALE
4. CLIP PENTRU CUREA
5. PACHET DE BATERII *
6. BUTON DE ELIBERARE A PACHETULUI DE BATERII *
7. LUMINĂ LED
8. SUPORT PENTRU SCULE

* Nu toate accesoriile ilustrate sau descrise sunt incluse în furnitura standard.

DATE TEHNICE

Denumirea tipului IW20S-250 & IW20S-250T2T (20S-250-denumirea mașinii, reprezentativă pentru ciocanul rotativ)

	IW20S-250	IW20S-250T2T
Tensiune nominală	18V \equiv (20V Max.)	
Viteză fără sarcină	0-2900 /min	
Rata de impact	0-3000 bpm	
Cuplu maxim	250 Nm	
Capacitatea mandrinei	1/2" Pătrat	
Acumulator	/	BI20-2 (2.0Ah)
Încărcător	/	C20-2 (2.0A)
Greutatea mașinii	1.3kg	1.8kg

RO

PACHETE DE BATERII POTRIVITE

Număr de articol	BI20-2	BI20-4
Capacitatea acumulatorului	2.0Ah	4.0Ah
	Inclus	Nu este inclus

ÎNCĂRCĂTOARE POTRIVITE

Număr de articol	C20-2	C20-4
Intrare încărcător	100-240V~50/60Hz, 55W	100-240V~50/60Hz, 95W
Ieșire încărcător	20V \equiv 2.0A	20V \equiv 4.0A
Timp de încărcare (aproximativ)	1hr (2.0 Ah) 2hrs (4.0 Ah)	30mins (2.0 Ah) 60mins (4.0 Ah)
Clasa de protecție a încărcătorului	\square /II	\square /II
	Inclus	Nu este inclus

ÎNCĂRCĂTOARE POTRIVITE

Număr de articol	C20S-76	C20-4
Intrare încărcător	100-240V~50/60Hz, 55W	100-240V~50/60Hz, 95W
Ieșire încărcător	20V \equiv 2.0A	20V \equiv 4.0A

Timp de încărcare (aproximativ)	1hr (2.0 Ah) 2hrs (4.0 Ah)	30mins (2.0 Ah) 60mins (4.0 Ah)
Clasa de protecție a încărcătorului	☐/II	☐/III
	Inclus	Nu este inclus

INFORMAȚII PRIVIND ZGOMOTUL

Presiune sonică ponderată	L_{pA} : 89.4dB (A)
Putere acustică ponderată	L_{wA} : 97.4dB (A)
K_{pA} & K_{wA}	3dB (A)
Purtați echipament de protecție pentru urechi.	

INFORMAȚII PRIVIND VIBRAȚIILE

Valori totale vibrații (sumă vectorială triaxială) determinată conform EN 62841:
Valoare emisii de vibrații: $a_h = 12.9 \text{ m/s}^2$
Marjă de eroare $K = 1.5 \text{ m/s}^2$

Aloarea totală declarată pentru vibrații și pentru zgomot a fost măsurată în concordanță cu metoda de testare standard și poate fi utilizată și la compararea a două unelte.

Valoarea totală declarată pentru vibrații și pentru zgomot poate fi utilizată și la evaluarea preliminară a expunerii la acestea.

⚠ ATENȚIONARE! Nivelul emisiilor de vibrații și de zgomot în timpul utilizării reale a unelei poate să difere de valorile declarate, aceste valori fiind în funcție de modalitățile de utilizare ale sculei, dar mai ales de felul piesei prelucrate cu unealta. Iată în continuare niște exemple de utilizare care conduc la apariția diferențelor de valori: Modul în care scula este folosită și tipul de materiale tăiate sau sfredelite.

Scula este în stare bună de funcționare și bine întreținută.

Folosirea accesoriului corect pentru sculă și păstrarea acesteia în condiții bune.

Forța de apucare a mânerelor și dacă s-a utilizat vreun accesoriu de reducere a vibrațiilor și a zgomotului.

Scula este folosită conform indicațiilor din fabrică și conform acestor instrucțiuni.

Această sculă poate cauza sindromul vibrație mână-braț dacă nu este folosită în mod corespunzător.

⚠ ATENȚIONARE! Pentru a fi corectă, estimarea nivelului de expunere în condiții concrete de folosire trebuie să ia în considerare toate părțile ciclului de operare cum ar fi de câte ori scula este oprită și cât timp este pornită dar nu lucrează. Acest lucru poate reduce semnificativ nivelul de expunere de-a lungul perioadei de lucru totale.

Minimalizarea riscului de expunere la vibrații și la zgomot.

Folosiți ÎNTOTDEAUNA dalte, burghiuri și lame ascuțite.

Păstrați acest aparat în conformitate cu aceste instrucțiuni și păstrați-l bine gresat (dacă e cazul).

Dacă unealta va fi utilizată în mod regulat, atunci nu ezitați să investiți în procurarea de accesorii antivibrație și antizgomot.

Planificați-vă programul de lucru pentru a folosi sculele cu număr mare de vibrații de-a lungul a mai multe zile.

ACCESORII

	IW20S-250	IW20S-250T2T
Clips pentru curea	1	1
Pachet de baterii	/	2
Încărcător	/	1

Vă recomandăm să achiziționați accesoriile de la același magazin de la care ați cumpărat unealta. Consultați ambalajul accesoriului pentru detalii suplimentare. Personalul din magazin vă poate oferi asistență și sfaturi.

CHEIE CU IMPACT FĂRĂ FIR

INSTRUCȚIUNI DE OPERARE



NOTĂ: Înainte de a utiliza unealta, citiți cu atenție manualul de instrucțiuni.

UTILIZAREA RECOMANDATĂ

Mașina este destinată fixării și slăbirii șuruburilor, piulițelor și diverselor elemente de fixare filetate. Această unealtă nu este destinată utilizării ca bormașină.

ÎNAINTE DE PUNEREA ÎN FUNCȚIUNE

1. ÎNCĂRCAȚI PACHETUL DE BATERII

Nu utilizați niciun încărcător în afara celui furnizat special pentru utilizare cu echipamentul. Dacă pachetul de baterii este foarte fierbinte, trebuie să îl scoateți din încărcător și să-i permiteți bateriei să se răcească înainte de reîncărcare. Vă rugăm să încărcați bateria până la capacitatea maximă înainte de depozitare. Dacă uneltele nu vor fi utilizate pentru perioade lungi de timp, încărcați bateria la fiecare 3 luni.

- PROCEDURA DE ÎNCĂRCARE (A SE VEDEA FIG. A1)

- 1) Conectați încărcătorul la o priză corespunzătoare. Lumina verde va lumina.
- 2) Glisați pachetul de baterii în încărcător, asigurați-vă că bateria este în poziția corectă de încărcare ferm. Lumina verde se va stinge, iar lumina roșie va lumina pentru a indica începerea procesului de încărcare.
- 3) Când încărcarea este completă, lumina roșie se va stinge, iar lumina verde va lumina.
- 4) După încărcare completă, deconectați încărcătorul și scoateți pachetul de baterii.

NOTĂ: Dacă pachetul de baterii este blocat în încărcător, apăsați butonul de eliberare a pachetului de baterii și scoateți-l.



ATENȚIONARE! Dacă încărcarea bateriei se oprește după utilizare continuă sau expunerea directă la soare sau căldură, pentru atingerea capacității maxime de încărcare, înainte de începerea reîncărcării, lăsați bateria să se răcească.

- INDICATOR ÎNCĂRCARE (A SE VEDEA FIG. A2)

Acest încărcător este conceput pentru a detecta unele probleme care pot apărea în legătură

cu acumuloarele. Luminile indicatoare semnalizează probleme (vezi tabelul de mai jos). Dacă acest lucru apare, introduceți un nou acumulator pentru a stabili dacă încărcătorul este OK. Dacă noua baterie se încarcă corect, atunci acumulatorul original este defect și trebuie returnat centrului de service sau centrului de service pentru reciclare. Dacă noul acumulator prezintă aceeași problemă ca și acumulatorul original, testați încărcătorul la un centru de service autorizat.

Indicator luminos	Clipt, aprins/ stins	Stare
Aprins în culoarea roșie 	—————	Se încarcă
Clipește în culoarea roșie 	- - - - -	Acumulator defect
Aprins în culoarea verde 	—————	Încărcat complet
Clipește în culoarea verde 	- - - - -	Întârziere la cald/rece

- VERIFICAREA STĂRII DE ALIMENTARE A PACHETULUI DE BATERII (A SE VEDEA FIG. A3)

Nivelul bateriei poate fi cunoscut din lumina indicatorului de baterie apăsând butonul de lângă lumini.

2. MONTAREA HĂRTIEI ABRAZIVE CU SISTEM TIP CÂRLIG ȘI BUCLĂ (A SE VEDEA FIG. B1, B2)

Pentru a îndepărta pachetul de baterii, apăsați ferm butonul de eliberare a pachetului de baterii, apoi glisați pachetul de baterii din unelte. Pentru a instala pachetul de baterii, glisați pachetul de baterii complet încărcat pe unelte cu suficientă forță până când se fixează în poziție.

3. MONTAREA SAU ÎNLĂTAREA PRIZEI PE PORT-UNELT (NEFURNIZATĂ) (A SE VEDEA FIG. C)

Pentru a monta priza, introduceți priza pe port-

unelt. Pentru a îndepărta priza, trageți priza din port-unelt.



AVERTISMENT: Inspectați cu atenție port-uneltele și priza înainte de a folosi instrumentul. Elementele lipsă sau deteriorate trebuie înlocuite. Asigurați-vă că comutatorul este blocat sau scoateți bateria înainte de a schimba accesoriile.

FUNȚIONAREA

1. BLOCAREA COMUTATORULUI (A SE VEDEA FIG. D1)

Comutatorul de pornire/oprire poate fi blocat în poziția OFF (oprit). Acest lucru ajută la reducerea posibilității de pornire accidentală atunci când unealta nu este utilizată. Pentru blocarea comutatorului de pornire/oprire amplasați direcția controlului rotației înainte și invers în poziția centrală.

2. CONTROLUL ROTAȚIEI ÎNAINTE ȘI ÎNAPOI (A SE VEDEA FIG. D2-D3)

Pentru rotația înainte, (cu mandrina îndreptată departe de tine) mută controlul de rotație în stânga.

Pentru rotația înapoi, (cu mandrina îndreptată departe de tine) mută controlul de rotație în dreapta.



AVERTISMENT: Nu schimbați niciodată direcția de rotație în timp ce unealta se rotește. Așteptați până când se oprește.

3. FUNȚIONAREA COMUTATORULUI PORNIT/OPRIT (A SE VEDEA FIG. E)

Apăsați pentru a porni și eliberați pentru a opri scula dumneavoastră. Comutatorul pornit/oprit este dotat cu o funcție de frână care oprește mandrina imediat ce eliberați rapid comutatorul. Este, de asemenea, un comutator de viteză variabilă care oferă o viteză și un cuplu mai mari cu presiunea crescută a declanșatorului. Viteza este controlată de gradul de apăsare a declanșatorului comutatorului.

Notă: doar apăsând controlul de rotație la stânga/dreapta, comutatorul pornit/oprit poate fi apăsat.



AVERTISMENT: Nu funcționați timp îndelungat la viteză redusă, deoarece se va produce căldură în exces intern.

4. UTILIZAREA LUMINII CU LED

Pentru a porni lumina, apăsați pur și simplu pe comutatorul pornit/oprit. Când eliberați comutatorul pornit/oprit, lumina se va stinge câteva secunde mai târziu.

Iluminarea cu LED-uri crește vizibilitatea în zonele întunecate sau închise.

5. CUM SĂ FOLOSEȘTI CLIPUL PENTRU CUREA (A SE VEDEA FIG. F1, F2)

Înșurubați clema de prindere la curea pe unealtă cu șurubul furnizat în punga de plastic. Clema de prindere la curea poate fi agățată de curea sau buzunar etc.

6. PROTECȚIE LA SUPRASARCINĂ

Când este supraîncărcat, motorul se oprește. Eliberați imediat sarcina mașinii și lăsați să se răcească timp de aproximativ 30 de secunde la cea mai mare viteză fără sarcină.

7. PROTECȚIA LA SUPRAÎNCĂRCARE ÎN FUNCȚIE DE TEMPERATURĂ

Atunci când se utilizează conform destinației, unealta electrică nu poate face obiectul supraîncărcării. Atunci când sarcina este prea mare sau se depășește temperatura admisibilă a acumulatorului de 75°C, comanda electronică oprește unealta electrică până când temperatura este din nou în intervalul optim.

ÎNȚREȚINERE

Scoateți acumulatorul din unealtă înainte de a efectua orice ajustări, operațiuni de service sau întreținere.

Unealta dumneavoastră nu necesită lubrifiere sau întreținere suplimentară, cu excepția pentru curățarea și lubrifierea de biți și adaptoare SDS înainte de a introduce în mandrină. Interiorul uneltei electrice nu conține piese care pot fi depanate de către utilizator. Nu utilizați niciodată apă sau agenți chimici de curățare pentru curățarea uneltei electrice. Ștergeți unealta cu o cârpă uscată. Depozitați întotdeauna unealta într-un loc uscat. Mențineți fantele de aerisire a motorului curate. Feriți de praf toate comenzile de lucru. Ocazional, puteți observa scântei prin fantele de aerisire. Acest lucru este normal și nu va defecta unealta electrică.

CHEIE CU IMPACT FĂRĂ FIR

Considerații privind uneltele alimentate cu acumulator

Plaja temperaturii ambientale în care se poate utiliza și stoca unealta electrică și acumulatorul, este cuprinsă între 0-45°C.

Plaja temperaturii ambientale în care se poate utiliza sistemul de reîncărcare și se poate reîncărca acumulatorul, este cuprinsă între 0-40°C.

SOLUȚIONAREA PROBLEMELOR

1. Care este funcția rotației înainte/înapoi?

Funcția de rotație înainte/înapoi vă permite să schimbați direcția motorului.

Modul de rotație înainte este destinat străngerii.

Modul de rotație înapoi este destinat deschiderii.

2. De ce nu se rotește mașina de înșurubat cu impact când se apasă comutatorul?

Controlul rotației înainte/înapoi, care se află în partea de sus a declanșatorului, este plasat în funcția de blocare. Deblocați controlul rotației înainte/înapoi prin poziționarea lui în poziția de rotație dorită. Trageți declanșatorul și mașina de înșurubat cu impact va începe să se rotească.

RO

PROTECȚIA MEDIULUI



Produsele electrice nu trebuie depuse la deșeurî împreună cu gunoiul menajer. Vă rugăm să depuneți produsele electrice la unitățile de reciclare existente. Consultați-vă cu autoritățile locale sau cu distribuitorul pentru sfaturi privind reciclarea.

EC Declarație de Conformitate



Noi : **HYUNDAI Corporation Holdings Europe**
Am Kronberger Hang 2A, 65824, Schwalbach am Taunus
Germany

Declarăm că produsul detaliat mai jos :
Cheie cu impact fără fir

MODEL : IW20S-250 & IW20S-250T2T
FUNCȚIE : Strângerea și slăbirea șuruburilor, piulițelor

Satisface cerințele directivelor Consiliului :
2006/42/EC, 2011/65/EU & (EU)2015/863,
2014/30/EU, (EU)2023/1542, 2014/35/EU, (EU)2023/1542, 2014/35/EU

Corespunde standardelor :
EN 62841-1, EN 62841-2-2, EN IEC 55014-1,
EN IEC 55014-2, EN IEC 63000, EN 62133-2,
EN 60335-1, EN 60335-2-29, EN 62233,
EN IEC 55014-1, EN IEC 55014-2, EN IEC 61000-3-2, EN 61000-3-3

Persoana împuternicită să întocmească dosarul tehnic,
Nume : Hyundae Kim
Abordare : HYUNDAI Corporation Holdings Europe
65824 Schwalbach am Taunus, Germany

Director general

Jaiwon Hur


Manager de proiect

Sungwoo Hong

Data : 2024.09.25

AKKUMULÁTOROS ÜTVECSAVARÓZÓ 1/2"

EREDETI HASZNÁLATI UTASÍTÁS TERMÉKBIZTONSÁG ELEKTROMOS KÉZISZERSZÁMOK BIZTONSÁGOS HASZNÁLATÁVAL KAPCSOLATOS ÁLTALÁNOS FIGYELMEZTETÉSEK

 **FIGYELEM!** Olvassa el az összes, ehhez az elektromos kéziszerszámhoz mellékelt biztonsági figyelmeztetést, utasítást és részletes ismertetést, illetve tekintse meg az ábrákat. Az alább felsorolt utasítások bármelyikének figyelmen kívül hagyása áramütést, tüzet és/vagy súlyos testi sérüléseket eredményezhet.

Őrizzen meg minden figyelmeztetést és utasítást, a jövőben szüksége lehet ezekre. A figyelmeztetésekben használatos "elektromos kéziszerszám" kifejezés az ön hálózatról üzemeltetett (vezetékes) elektromos kéziszerszámára vagy akkumulátoros (vezeték nélküli) elektromos kéziszerszámára vonatkozik.

1. A munkaterület biztonsága

- A munkaterületet tartsa tisztán és jól megvilágítva.** A zsúfolt vagy sötét munkaterület balesethez vezethet.
- Ne üzemeltessen elektromos kéziszerszámot robbanékony légkörben,** például gyúlékony folyadékok, gázok vagy por jelenléte mellett. Az elektromos kéziszerszámok használata során szikrák keletkeznek, amelyek hatására a por vagy gáz kigyulladhat.
- Elektromos kéziszerszámok működtetése közben tartsa távol a gyermekeket és bámészkodókat.** A figyelem elterelése kontrollvesztést eredményezhet.

2. Elektromos biztonság

- Az elektromos kéziszerszámok dugójának illeszkednie kell a dugaljba.** Soha, semmilyen módon ne módosítsa a dugót.

Földelt elektromos kéziszerszámokkal ne használjon adaptert. *Ha nem módosított dugókat és megfelelő dugaljat használ, azzal csökkenti az áramütés kockázatát.*

- Ne érintse meg a földelt felületeket,** például csöveket, radiátorokat, tűzhelyeket vagy hűtőszekrényeket. *Ha a test földelt, nagyobb az áramütés kockázata.*
- Ne tegye ki esőnek vagy nedves körülményeknek az elektromos kéziszerszámokat.** *Ha egy elektromos kéziszerszámba víz kerül, megnő az áramütés kockázata.*
- Vigyázzon a szerszám kábelére.** Soha ne hordozza, húzogassa vagy húzza ki az áramból az elektromos kéziszerszámot a kábelnél fogva. A kábelt tartsa távol a hőtől, olajtól, éles peremektől vagy mozgó részekről. *A sérült vagy összegubancolódott kábel növeli az áramütés kockázatát.*
- Ha az elektromos kéziszerszámot szabadterben üzemelteti, használjon külső használatra alkalmas hosszabbítót.** *A külső használatra alkalmas kábel használatával csökken az áramütés kockázata.*
- Ha elkerülhetetlen, hogy az elektromos kéziszerszámot nedves helyen működtesse, használjon maradékáramműködtetésű megszakító (RCD) védelemmel rendelkező áramforrást.** *A maradékáram-működtetésű megszakító használata csökkenti az áramütés kockázatát.*

3. Személyi biztonság

- Az elektromos kéziszerszám működtetése közben maradjon éber, figyeljen arra, amit csinál, és használja a józan esztét.** Ne működtesse az elektromos kéziszerszámot, ha fáradt, illetve gyógyszerek, alkohol vagy drogok hatása alatt áll. *Egy pillanatnyi figyelmeletlenség az elektromos kéziszerszámok működtetése közben súlyos sérülésekhez vezethet.*
- Használjon személyi védőfelszereléseket.** Mindig használjon szemvédelmet. *A személyi védőfelszerelés, például pormaszok, csúszásmentes biztonsági lábbeli, védősisak vagy szükség esetén hallásvédelem*

- használatával csökkenthető a személyi sérülések kockázata.
- c) **Kerülje el, hogy a szerszám véletlenül működésbe lépjen. Mielőtt az elektromos kéziszerszámot áramhoz csatlakoztatná, behelyezné az akkumulátort, felvinné vagy vinné a szerszámot ellenőrizze, hogy a kapcsoló “ki” helyzetbe legyen állítva.** *Ha a szerszám hordozásakor ujját a kapcsolón tartja, vagy áram alá helyezi a bekapcsolt készüléket, az balesetekhez vezethet.*
- d) **Mielőtt az elektromos kéziszerszámot bekapcsolná, távolítsa el róla minden állítókulcsot.** *Ha az elektromos kéziszerszám forgórészein állítókulcs marad, az személyi sérüléshez vezethet.*
- e) **Ne próbáljon túl messzire nyúlni. Mindig vigyázzon, hogy stabilan álljon, és őrizze meg egyensúlyát.** *Ez segít, hogy váratlan helyzetekben uralja az elektromos kéziszerszámot.*
- f) **Viseljen megfelelő öltözetet. Ne viseljen bő ruházatot vagy hosszú ékszert. Haját, ruházatát és kesztyűjét tartsa a mozgó alkatrészekről távol.** *A bő ruházatot, hosszú ékszert vagy hosszú hajat bekapathatják a mozgó elemek.*
- g) **Ha a szerszámhoz porszívó vagy -gyűjtő is csatlakoztatható, gondoskodjon ezek megfelelő csatlakoztatásáról és használatáról.** *A porgyűjtő használatával csökkenthetőek a porral kapcsolatos kockázatok.*
- h) **Ne hagyja, hogy a szerszám gyakori használata túl elbizakodottá tegye, és hogy ezáltal figyelmen kívül hagyja a szerszám biztonsági követelményeit.** *A másodperc töredéke is elég ahhoz, hogy egy figyelmen kívül hagyott súlyos sérüléshez vezessen.*
4. **Az elektromos kéziszerszám használata és karbantartása**
- a) **Ne erőltesse az elektromos kéziszerszámot. Mindig megfelelő elektromos kéziszerszámot használjon.** *Ha a megfelelő elektromos kéziszerszámot használja, azzal a rendeltetési területén jobban és biztonságosabban elvégezhető a munka.*
- b) **Ne használja az elektromos kéziszerszámot, ha azt nem lehet kikapcsolni.** *Ha egy elektromos kéziszerszám nem szabályozható a kapcsolóval, az veszélyes, és javításra szorul.*
- c) **Mielőtt a szerszámot beállítaná, tartozékot cserélné, illetve tároláskor húzza ki a dugót az áramforrásból, és/ vagy vegye ki az akkumulátort az elektromos kéziszerszámából.** *Ezekkel a megelőző biztonsági intézkedésekkel csökken annak a kockázata, hogy a kéziszerszám véletlenül bekapcsoljon.*
- d) **Az elektromos kéziszerszámokat használaton kívül tartsa a gyermekektől távol, és ne hagyja, hogy a szerszámot vagy ezeket az utasításokat nem ismerő személyek működtessék azt.** *A tapasztalatlan felhasználók kezében az elektromos kéziszerszámok veszélyessé válnak.*
- e) **Tartsa karban az elektromos kéziszerszámokat. Ellenőrizze, hogy a mozgó elemek megfelelően helyezkednek-e el és nem szorultak-e be, az alkatrészek épek, és semmilyen más hiba nincs kihatással az elektromos kéziszerszám működésére.** *Ha sérülést talál, használat előtt javíttassa meg a szerszámot. A nem megfelelően karbantartott elektromos kéziszerszámok sok balesetet okoznak.*
- f) **A vágószerszámokat tartsa tisztán, és figyeljen, hogy élesek maradjanak.** *A megfelelően karbantartott, éles vágószerszámok ritkábban akadnak meg, és egyszerűbben irányíthatóak.*
- g) **Az elektromos kéziszerszámot, a kiegészítőket és fejeket használja a fenti utasításoknak megfelelően, figyelembe véve a munkakörülményeket és az elvégzendő munkát.** *Ha az elektromos kéziszerszámot nem rendeltetésszerűen használja, az veszélyhelyzetet teremthet.*
- h) **Őrizze szárazon, tisztán, olaj- és zsírintenzen a szerszám fogantyúit és megragadási részeit.** *A csúszos fogantyúk és megragadási részek főleg váratlan helyzetekben akadályozzák a szerszám biztonságos megfogását, kezelését és irányítását.*

AKKUMULÁTOROS ÜTVECSAVAROZÓ 1/2"

5. Az akkumulátoros kéziszerszám használata és karbantartása
- a) Csak a gyártó által javasolt töltővel töltsse fel. Ha egy adott akkumulátorhoz megfelelő töltőt másik akkumulátorral használ, az tűzveszélyes lehet.
- b) Az elektromos kéziszerszámokat csak a kijelölt akkumulátorokkal használja. Ha más akkumulátorokat használ, az sérülés- és tűzveszélyes.
- c) Az akkumulátorokat használaton kívül tartsa a fémtárgyaktól, például gémkapcsoktól, pénzérméktől, kulcsoktól, szögektől, csavaroktól vagy más kis fémtárgyaktól távol, mert ezek összekapcsolhatják a pólusokat. Az akkumulátor pólusainak rövidzárata égés- és tűzveszélyes.
- d) Nem megfelelő körülmények között az akkumulátorból folyadék szivároghat; kerülje az érintkezést ezzel a folyadékkal. Véletlen érintkezés esetén mossa le a vízzel. Ha a folyadék szembe kerül, mossa ki vízzel, és forduljon orvoshoz. Az akkumulátorból szivárgó folyadék irritációt vagy égési sérülést okozhat.
- e) Ne használjon károsodott vagy módosított akkucsomagot vagy szerszámot. A károsodott vagy módosított akkucsomagok használata előreláthatatlan következményekkel jár, mert ezek felgyulladhatnak, felrobbanhatnak vagy személyi sérüléseket okozhatnak.
- f) Óvja az akkucsomagot és a szerszámot a tűztől vagy a magas hőmérsékletektől. A 130°C-t meghaladó hőmérséklet vagy tűz robbanást okozhat.
- g) Tartsa be az összes újratöltési utasítást és az akkucsomagot vagy a szerszámot csak az utasításokban megadott hőmérsékleti tartományban töltsse újra. Az előírásoktól vagy a megengedett hőmérsékleti tartománytól eltérő töltési folyamat az akkucsomag károsodását okozhatja, és növeli a tűzveszély kockázatát.
6. Szerviz
- a) Az elektromos kéziszerszámot csak képzett szerelő javíthatja megfelelő cserealkatrészekkel. Ez biztosítja az

elektromos kéziszerszám biztonságos működését.

- b) Soha ne szervelje a károsodott akkucsomagokat. A károsodott akkucsomagok szervizelését csak a gyártó vagy az erre felhatalmazott szervizközpontok hajthatják végre.

A CSAVAROZÓVAL KAPCSOLATOS BIZTONSÁGI TUDNIVALÓK

1. Az elektromos kéziszerszámot csak a szigetelt fogantyúfelületeknél fogva tartsa, ha olyan munkát végez, amelynek során a csavar feszültség alatt álló, kívülről nem látható vezetékekhez érhet. Ha a csavar egy feszültség alatt álló vezetékhez ér, az elektromos kéziszerszám fémrészei szintén feszültség alá kerülhetnek és áramütéshez vezethetnek.

AZ AKKUMULÁTORRAL KAPCSOLATOS BIZTONSÁGI FIGYELMEZTETÉSEK

- a) Az akkumulátort ne szedje szét, ne nyissa fel és ne vágja meg.
- b) Ne zárja rövidre az akkumulátort. Az akkumulátorokat ne tárolja olyan dobozban vagy fiókban, ahol rövidre zárhatják egymást, vagy valamilyen vezető anyag a rövidzárlatukat okozhatja. Az akkumulátorokat használaton kívül tartsa a fémtárgyaktól, például gémkapcsoktól, pénzérméktől, kulcsoktól, szögektől, csavaroktól vagy más kis fémtárgyaktól távol, mert ezek összekapcsolhatják a pólusokat. Az akkumulátor pólusainak rövidzárata égés- és tűzveszélyes.
- c) Ne tegye ki hőnek vagy tűznek az akkumulátort. Ne tárolja közvetlen napfényben.
- d) Az akkumulátort ne tegye ki ütésnek.
- e) Ha az akkumulátor szivárog, vigyázzon, hogy a folyadék ne kerüljön a bőrre vagy szembe. Amennyiben a bőrre vagy

szembe kerül, az érintett területet mossa le bő vízzel, és forduljon orvoshoz.

- f) Vigyázzon, hogy az akkumulátor tiszta és száraz maradjon.
- g) Ha az akkumulátor pólusaira szennyeződés kerül, azt egy tiszta, száraz ruhával törölje le.
- h) Az akkumulátort használat előtt fel kell tölteni. A töltést mindig az utasításoknak megfelelően, helyes eljárást használva végezze.
- i) Használaton kívül ne hagyja töltőn az akkumulátort.
- j) Hosszan tartó tárolást követően a maximális teljesítmény elérése érdekében szükséges lehet, hogy az akkumulátort többször feltöltse és lemerítse.
- k) Csak a gyártó által meghatározott töltővel töltsd fel. Ne használj olyan töltőt, amelyet kifejezetten nem az eszközhöz szállítottak.
- l) Ne használjon a készülékkel való használatra tervezettől eltérő akkumulátort.
- m) Az akkumulátor gyermekektől távol tartandó.
- n) Őrizze meg a termékhez mellékelt utasításokat, a későbbiekben szüksége lehet ezekre.
- o) Amikor a szerszámot nem használja, vegye ki belőle az akkumulátort.
- p) Ártalmatlanításnál megfelelően járjon el.
- q) Ne helyezzen be különböző gyártóktól származó, illetve eltérő kapacitású, méretű vagy típusú akkukat a készülékbe.
- r) Tartsa távol az akkumulátort mikrohullámoktól és nagy nyomástól.
- s) Figyelem! Ne használjon nem újratölthető elemeket.

TERMÉKBIZTONSÁG BIZTONSÁGOS HASZNÁLATÁVAL KAPCSOLATOS ÁLTALÁNOS FIGYELMEZTETÉSEK



FIGYELEM! Olvasson el minden biztonsági figyelmeztetést és

valamennyi utasítást. *A figyelmeztetések és utasítások figyelmen kívül hatása áramütést, tüzet és/ vagy súlyos sérülést eredményezhet.*

Őrizzen meg minden figyelmeztetést és utasítást, a jövőben szüksége lehet ezekre.

A készüléket használhatják 8 év fölötti gyermekek és csökkent testi, érzékszervi vagy mentális képességű, illetve tapasztalatlan személyek felügyelet mellett, illetve ha elmagyarázták nekik az eszköz biztonságos használatát, és tisztában vannak a veszélyekkel. A gyermekek nem játszhatnak a készülékkel. A készülék tisztítását és karbantartását a gyermekek felügyelet nélkül nem végezhetik.

Amennyiben az áramellátó kábel sérült, a gyártónak, a megbízott szerviznek vagy egy hasonlóan képzett szakembernek ki kell cserélnie azt a kockázatok elkerülése érdekében.


1. Töltés előtt olvassa el az utasításokat.
2. Ne töltsön szivárgó akkumulátort.
3. Ne használja a töltőt a rendeltetésétől eltérő, más feladatra.
4. A töltés előtt ellenőrizze, hogy a töltő megfelel a helyi váltóáramú hálózatnak.
5. Beltéren használja, vagy ne tegye ki esőnek.
6. A töltőt óvni kell a nedvességtől.
7. Ne használja a töltőt a szabadban.
8. Ne idézze elő a töltő vagy az akkumulátor rövidzárlatát.
9. Töltéskor tartsa be a "+/-" polaritást.
10. Ne nyissa fel az egységet, és tartsa távol azt a gyermekektől.
11. Ne töltsen más gyártók akkumulátorait, vagy nem megfelelően illeszkedő modelleket.
12. Győződjön meg arról, hogy az akkumulátor töltő és az akkumulátor közötti kapcsolat helyesen van elhelyezve.
13. Tartsa távol az akkumulátortöltő nyílásaitól az idegen tárgyakat, és óvja a töltőt a szennyeződéstől és nedvességtől. Száraz, fagymentes helyen tárolja.
14. Az akkumulátortöltőt jól szellőző helyen, gyúlékony anyagoktól távol tárolja. Töltés közben az akkumulátor felforrósodhat. Ne töltsen túl az akkumulátorokat. Gondoskodjon róla, hogy az akkumulátorok és töltők ne maradjanak felügyelet nélkül töltés közben.
15. Ne töltsen újra a nem tölthető elemeket, mivel


AKKUMULÁTOROS ÜTVECSAVARÓZÓ 1/2"

ezek felforrósodhatnak vagy eltörhetnek.

16. Hosszabb élettartamot és jobb teljesítményt biztosíthat, ha az akkumulátort 18°C és 24°C közötti hőmérsékleten tölti. Ne töltse az akkumulátort 0°C alatt, vagy 40°C fölött. Ezt fontos betartani, mivel megelőzheti az akkumulátor súlyos károsodását.
17. Csak a gyártó által szállított azonos típusú akkumulátor csomagot töltsön, valamint a gyártó által ajánlott modelleket.

T 2A  Vezeték

 Dupla szigetelés

 Niet verbranden

SZIMBÓLUMOK



A sérülésveszély csökkentése érdekében a felhasználónak el kell olvasnia az utasításokat



Figyelmeztetés



Viseljen fülvédőt



Viseljen szemvédőt



Viseljen pormaszkot



Accu's kunnen in de waterkringloop terecht komen als ze op onjuiste wijze worden weggegooid, wat gevaarlijk kan zijn voor het ecosysteem. Gooi afgedankte accu's niet weg bij het ongesorteerde huishoudelijke afval.



Li-Ion-accu Dit product is uitgerust met een symbool dat 'gescheiden inzameling' aanduidt voor alle accu's. Ze worden dan gerecycled of gedemonteerd om de impact op het milieu te verminderen. Accu's kunnen gevaarlijk zijn voor het milieu en de menselijke gezondheid, omdat ze gevaarlijke stoffen bevatten.

HU



A leselejtezett elektromos készülékek nem dobhatók ki a háztartási hulladékkal. Ha van a közelben elektromos hulladék gyűjtő udvar, vigye oda a készüléket. Az újrahasznosítási lehetőségekről tájékozódjon a helyi hatóságoknál vagy a kereskedőnél.



Olvassa el az üzemeltetői kézikönyvet.



Csak beltérben használható



Pozitív terminál



Negatív terminál

ALKATRÉSZLISTA

1. ELŐRE/HÁTRA FORGÁS IRÁNYÁNAK VEZÉRLÉSE
2. BE/KI KAPCSOLÓ
3. PUHA MARKOLAT
4. ÖVCSIPESZ
5. AKKUMULÁTORCSOMAG *
6. AKKUMULÁTORCSOMAG KIBOCSÁTÓGOMBJA *
7. LED LÁMPA
8. ESZKÖZTARTÓ

* Az alapkivitelnél nem része az illusztrációkon vagy leírásban szereplő mindegyik tartozék.

MŰSZAKI ADATOK

Típus megnevezése IW20S-250 & IW20S-250T2T (20S-250-a gép megnevezése, ütvecsavarozó típus)

	IW20S-250	IW20S-250T2T
Névleges feszültség	18V \equiv (20V Max.)	
Üresjárat fordulatszám	0-2900 /min	
Ütésszám	0-3000 bpm	
Maximális nyomaték	250 Nm	
Tokmányba befogható maximális méret	1/2" Square	
Akkumulátor	/	BI20-2 (2.0Ah)
Akkumulátortöltő	/	C20-2 (2.0A)
Gép súlya	1.3kg	1.8kg

ALKALMAS AKKUMULÁTOR CSOMAGOK

Tételszám	BI20-2	BI20-4
Akkumulátor teljesítmény	2.0Ah	4.0Ah
	Tartalmazza	Nem tartalmazza

ALKALMAS TÖLTŐK

Tételszám	C20-2	C20-4
Töltő bemenet	100-240V~50/60Hz, 55W	100-240V~50/60Hz, 95W
Töltő kimenet	20V \equiv 2.0A	20V \equiv 4.0A
Töltési idő (kb.)	1hr (2.0 Ah) 2hrs (4.0 Ah)	30mins (2.0 Ah) 60mins (4.0 Ah)
A töltő védelmi osztálya	\square /II	\square /II
	Tartalmazza	Nem tartalmazza

AKKUMULÁTOROS ÜTVECSAVARÓZÓ 1/2"

ZAJVÉDELMI TÁJÉKOZTATÁS

A-súlyozású hangnyomásszint	L_{pA} : 89.4dB (A)
A-súlyozású hangerő:	L_{WA} : 97.4dB (A)
K_{pA} & K_{WA}	3dB (A)
Viseljen fülvédőt.	

REZGÉSÉRTÉKEK

Az EN62841 szabvány szerint meghatározott összes rezgés (háromtengelyű vektoriálisösszeg) a következő:
Rezgéskibocsátás: $a_{h1} = 12.9 \text{ m/s}^2$
Bizonytalanság $K = 1.5 \text{ m/s}^2$

A vibráció és a zaj bejelentett összértékét szabványos mérési módszerrel állapították meg, és ezeket az értékeket két szerszám összehasonlításához is fel lehet használni.

A vibráció és a zaj bejelentett összértékeit a rezgéseknek és zajártalomnak való kitettség előzetes felbecsléséhez is fel lehet használni.



FIGYELEM! A kéziszerszám aktuális használatakor mérhető vibráció és zajkibocsátási értékek eltérhetnek a bejelentett értékektől, mert nagyban függnek a szerszám használati módjától és a megmunkált alkatrész típusától. Íme néhány példa és eltérő érték a szerszám használatától függően:

Hogyan használják a szerszámot, milyen anyagokat vágnak vagy fúrnak.

Az eszköz jó állapotban van-e, megfelelően karbantartják-e.

Megfelelő tartozékokat használnak-e az eszközhöz, vigyáznak-e, hogy éles legyen, és jó állapotban maradjon.

A fogantyú megragadásának erősségétől és az esetleg használt vibrációs- és zajcsökkentő tartozék típusától.

A szerszámot rendeltetésszerűen, kialakításának és a jelen utasításoknak megfelelően használják-e.

Ha a szerszámot nem kezelik megfelelően, kéz-kar vibrációs szindrómát okozhat.



FIGYELEM! A pontosság érdekében az expozíciós szint becslött értékéhez a valós használati körülmények között figyelembe kell venni a működési ciklus valamennyi elemét, így azt az időt is, amikor a szerszám ki van kapcsolva, és amikor üresjáratban működik. Ez a teljes munkaidőszak viszonylatában jelentősen csökkentheti az expozíciós szintet.

A vibrációnak és zajnak való kitettség kockázatának csökkentése.

MINDIG éles vésőt, pengét, és hegyes fúrófejet használjon.

Az eszközt jelen utasításoknak megfelelően tartsa karban, és vigyázzon a megfelelő kenésre (ahol erre szükség van).

Ha a szerszám rendszeres használatát tervezik, akkor megéri a vibráció- és zajcsökkentő tartozékok beszerzése.

Úgy tervezze meg a munkáját, hogy a magas rezgésszámú eszközök használatát igénylő feladatokat több napra ossza el.

TARTOZÉKOK

	IW20S-250	IW20S-250T2T
Övcsipesz	1	1
Akkumulátorcsomag	/	2
Töltő	/	1

Javasoljuk, hogy a tartozékokat ugyanabból a boltból vásárolja meg, ahol a szerszámot is vásárolta.

További részleteket a tartozék csomagolásán talál. Kérjen segítséget és tanácsot a bolti eladóktól.

HASZNÁLATI UTASÍTÁSOK



MEGJEGYZÉS: A szerszám használat előtt olvassa el figyelmesen a használati útmutatót.

RENDELTETTÉSSZERŰ HASZNÁLAT

Ezzel a szerszámmal csavarok, anyák és különböző menetes kötőelemek rögzítése és lazítása végezhető. Ez a szerszám nem használható fúróként.

ÜZEMBE HELYEZÉS ELŐTT

1. AKKUMULÁTORCSOMAGOT

Ne használjon más töltőt, csak azt, amelyet kifejezetten az eszközzel való használatra biztosítanak.

Ha az akkumulátorcsomag nagyon meleg, el kell távolítania az akkumulátorcsomagot a töltőből, és hagyni kell időt az akkumulátor lehűlésére, mielőtt újratöltené. Kérjük, töltsse fel az akkumulátort teljesen, mielőtt tárolja. Ha az eszközt hosszabb időn keresztül nem használják, minden 3 hónapban töltsse fel az akkumulátort.

- A TÖLTÉSI ELJÁRÁS (LÁSD AZ A1. ÁBRÁT)

- 1) Csatlakoztassa a töltőt egy megfelelő aljzatba. A zöld fény világítani fog.
- 2) Csúsztassa az akkumulátorcsomagot a töltőbe, győződjön meg arról, hogy az akkumulátor helyesen, szilárdan van-e a töltési pozícióban. A zöld fény kialszik és a piros fény világít, jelezve, hogy elindult a töltési folyamat.
- 3) A töltés befejeztével a piros fény kialszik és a zöld fény világít.
- 4) Teljesen feltöltött állapotban húzza ki a töltőt a konnektorból és vegye ki az akkumulátorcsomagot.

MEGJEGYZÉ: Ha az akkumulátorcsomag be van zárva a töltőbe, nyomja meg az akkumulátorcsomag kioldógombját és távolítsa el azt.



FIGYELEM! Ha az akkumulátor folyamatos használatot követően vagy közvetlen napfénynek/forróságnak kitéve merült le, A teljes feltöltés elérése

érdekében, a töltés megkezdése előtt az akkumulátort hagyja lehűlni.

- TÖLTÉSJELZŐ (LÁSD AZ A2. ÁBRÁT)

A töltőt úgy tervezték, hogy észlelje az akkumulátorokkal kapcsolatos problémákat. A jelzőfények problémákat jeleznek (lásd az alábbi táblázatot). Ha a probléma fellép, helyezzen be egy másik akkumulátort, hogy ellenőrizze, a töltő megfelelően működik-e. Ha az új akkumulátor megfelelően töltődik, akkor az eredeti akkumulátor hibás, és a szervizközpontba vagy az újrahasonosító központba kell eljuttatni. Ha az új akkumulátor is ugyanazt a hibát jelzi, mint az eredeti akkumulátor, teszteltesse a töltőt egy hivatalos szervizközpontban.

Jelzőfény	BE/KI villogás	Állapot
Pirosan világít 	————	Töltés
Pirosan villog 	- - - - -	Hibás akkumulátor
Zölden világít 	————	Teljes töltöttség
Zölden villog 	- - - - -	Meleg/hideg késleltetés

- AZ AKKUMULÁTORCSOMAG

1. ÁRAMFELTÉTELENEK ELLENŐRZÉSE (LÁSD AZ A3. ÁBRÁT)

Az akkumulátor szintje megállapítható az akkumulátor jelzőfény segítségével, a fények melletti gomb megnyomásával.

2. A KAMPÓS ÉS HUROKKAL ELLÁTOTT CSISZOLÓPAPÍR FELSZERELÉSE (LÁSD AZ B1, B2. ÁBRÁT)


Akkumulátor csomag eltávolításához először erőteljesen nyomja le az akkumulátor csomag kioldó gombját, majd csúsztassa ki az akkumulátor csomagot a gépből. Az akkumulátor csomag telepítéséhez csúsztassa fel a teljesen feltöltött akkumulátor

AKKUMULÁTOROS ÜTVECSAVARÓZÓ 1/2"

csomagot a gépre megfelelő erővel, amíg kattanást nem hall.

3. FOGÓSZERSZÁM FELHELYEZÉSE VAGY ELTÁVOLÍTÁSA A FOGÓTARTÓRÓL (NEM TARTOZÉK) (LÁSD AZ ÁBRA. C)

A fogószerszám felhelyezéséhez helyezze be a fogószerszámot a fogótartóra. A fogószerszám eltávolításához húzza ki a fogószerszámot a fogótartóból.

 **FIGYELEM: Ellenőrizze alaposan a fogótartókat és a fogószerszámot a szerszám használata előtt. Hiányzó vagy sérült elemeket cserélje ki. Győződjön meg róla, hogy az áramköri kapcsoló ki van kapcsolva, vagy távolítsa el az akkumulátortartót az alkatrészek cseréje előtt.**

MŰKÖDTETÉS


1. KAPCSOLÓ ZÁROLÁSA (LÁSD AZ ÁBRA. D1)

A főkapcsoló OFF állásban zárolható. Ez segít a használaton kívüli véletlen indítás lehetőségének csökkentését. A főkapcsoló zárolásához helyezze a forgásirány-kapcsolót középű állásba.

2. FORGÁSIRÁNY-KAPCSOLÓ (LÁSD AZ ÁBRA. D2-D3)

Előre forgatáshoz (amikor a befogószorító távolodik Öntől), vigye a forgatásvezérlést balra.


Hátrafelé forgatáshoz (amikor a befogószorító távolodik Öntől), vigye a forgatásvezérlést jobbra.

 **FIGYELEM: Soha ne változtassa meg a forgásirányt, amíg a szerszám forog, várjon, amíg megáll.**

3. AZ BEKAPCSOLÓ/KIKAPCSOLÓ KAPCSOLÓ KEZELÉSE (LÁSD AZ ÁBRA. E)

Nyomja le a működtetéshez, és engedje el a leállításhoz a szerszámot. A be/kikapcsoló kapcsoló fékként is működik, amely azonnal leállítja a befogót, amikor gyorsan elengedi a kapcsolót. Emellett változtatható sebességű kapcsolóról van szó, amely nagyobb sebességet és forgatónyomatékot biztosít a kapcsoló megnövekedett nyomása esetén.

A sebességet a kapcsoló nyomásának mértéke szabályozza. **Megjegyzés:** Csak a forgatásvezérlőt tolva balra/jobbra oldalra nyomható le a be/kikapcsoló kapcsoló.

 **FIGYELEM: Ne működtesse hosszú ideig alacsony sebességnél, mert belső hő keletkezik.**

4. A LED FÉNY HASZNÁLATA (LÁSD AZ ÁBRA. D)

A világítás bekapcsolásához egyszerűen nyomja meg a be/ki kapcsolót. Ha elengedi a be/ki kapcsolót, a lámpa néhány másodperc múlva kialszik.

A LED-es világítás növeli a láthatóságot sötét vagy zárt területeken.

5. ÖVCSIPES HASZNÁLATA (LÁSD AZ ÁBRA. F1, F2)

Csavarja az övcsipeszt a szerszámmal a műanyag zacskóban található csavarral. Az övcsipeszt akaszthatja az övére vagy a zsebére stb.

6. TÚLTERHELÉS ELLENI VÉDELEM

Túlterhelés esetén a motor leáll. A fűrógépet azonnal tehermentesítse, és hagyja kb. 30 másodpercig a legnagyobb üresjáratú fordulatszámon hűlni.

7. HŐMÉRSÉKLETFÜGGŐ TÚLTERHELÉS ELLENI VÉDELEM

Rendeltetésszerű használat esetén az elektromos szerszám nem lehet túlterhelésnek kitéve. Ha a terhelés túl nagy, vagy az akkumulátor megengedett 75 °C-os hőmérsékletét túllépi, az elektronikus vezérlés kikapcsolja az elektromos szerszámot, amíg a hőmérséklet ismét az optimális hőmérsékleti tartományba nem kerül.

KARBANTARTÁS

Bármilyen állítás, javítás vagy karbantartási művelet előtt vegye ki a szerszámból az akkumulátort.

Az elektromos kéziszerszámot nem szükséges megkenni vagy karbantartani.

A szerszám nem tartalmaz a felhasználó által javítható alkatrészeket. Soha ne használjon

vizet vagy vegyi tisztítószereket a szerszám tisztításához. Törölje tisztára egy száraz ronggyal. A szerszámot mindig száraz helyen tárolja. Tartsa tisztán a motor szellőzőnyílásait. Minden szabályozóeszközt tartson pormentesen. A szellőzőnyílásokon keresztül néha szikrák láthatók. Ez természetes, nem okoz kárt az elektromos kéziszerszámban.

Akkus kéziszerszámokra vonatkozó figyelmeztetések

A szerszámot és az akkumulátort csak 0-45°C közötti hőmérsékleti tartományban szabad használni és tárolni.

Az akkumulátor újratöltéséhez ajánlott hőmérsékleti tartomány 0-40°C között található.

PROBLÉMAMEGOLDÁS

1. Mi a funkciója az előre/hátra forgásnak?



Az előre/hátra forgás funkció lehetővé teszi a motor irányának megváltoztatását.

Az előremeneti mód rögzítésre szolgál. A fordított üzemmód lazításra szolgál.

2. Miért nem indul el az ütvecsavarozó a kapcsoló megnyomásakor?

Az előre/hátra forgásszabályzó, amely a kioldó tetején található, zárolt helyzetben van. Oldja ki az előre/hátra forgásszabályzót a kívánt forgási helyzet beállításával. Nyomja meg a kioldót, és az ütvecsavarozó forogni kezd.

KÖRNYEZETVÉDELEM

 A leselejtezett elektromos készülékek nem dobhatók ki a háztartási hulladékkal. Ha  van a közelben elektromos hulladék gyűjtő udvar, vigye oda a készüléket. Az újrahasznosítási lehetőségekről tájékozódjon a helyi hatóságoknál vagy a kereskedőnél.

AKKUMULÁTOROS ÜTVECSAVARÓZÓ 1/2"

EC Megfelelőségi nyilatkozat



Mi : **HYUNDAI Corporation Holdings Europe**
Am Kronberger Hang 2A, 65824, Schwalbach am Taunus
Germany

Kijelentjük, hogy az alábbi részletezett termék:
Akkumulátoros ütvecsavarozó

MODELL: IW20S-250 & IW20S-250T2T
FUNKCIÓ: Csavarok és anyák megszorítása és lazítása

Megfelel a Tanács irányelveinek követelményeinek :
2006/42/EC, 2011/65/EU & (EU)2015/863,
2014/30/EU, (EU)2023/1542, 2014/35/EU, (EU)2023/1542, 2014/35/EU

A szabványok megfelelnek az :
EN 62841-1, EN 62841-2-2, EN IEC 55014-1,
EN IEC 55014-2, EN IEC 63000, EN 62133-2,
EN 60335-1, EN 60335-2-29, EN 62233,
EN IEC 55014-1, EN IEC 55014-2, EN IEC 61000-3-2, EN 61000-3-3

A műszaki dokumentáció összeállítására jogosult személy,
Név : Hyundae Kim
Cím : HYUNDAI Corporation Holdings Europe
65824 Schwalbach am Taunus, Germany

Ügvezető igazgató

Jaiwon Hur

Projektmenedzser

Sungwoo Hong

Dátum : 2024.09.25

HƯỚNG DẪN AN TOÀN SẢN PHẨM

HƯỚNG DẪN VỀ AN TOÀN SẢN PHẨM

CẢNH BÁO CHUNG VỀ AN TOÀN DỤNG CỤ ĐIỆN



CẢNH BÁO! Đọc tất cả các cảnh báo, hướng dẫn, hình ảnh minh họa và thông số kỹ thuật được cung cấp kèm theo dụng cụ điện này. Việc không tuân theo tất cả các hướng dẫn được liệt kê dưới đây có thể dẫn đến điện giật, hỏa hoạn và/hoặc thương tích nghiêm trọng.

Lưu ý tất cả các cảnh báo và hướng dẫn để tham khảo trong tương lai.

Thuật ngữ "dụng cụ điện" trong các cảnh báo đề cập đến dụng cụ điện chạy bằng nguồn điện (có dây) hoặc dụng cụ điện chạy bằng pin (không dây).

1. An toàn khu vực làm việc

- Giữ khu vực làm việc sạch sẽ và đủ ánh sáng. Những khu vực bừa bộn hoặc tối tăm dễ gây tai nạn.
- Không vận hành dụng cụ điện trong môi trường dễ cháy nổ, chẳng hạn như nơi có chất lỏng, khí hoặc bụi dễ cháy. Dụng cụ điện tạo ra tia lửa điện có thể đốt cháy bụi hoặc khói.
- Giữ trẻ em và những người xung quanh tránh xa khi vận hành dụng cụ điện. Sự xao lãng có thể khiến bạn mất kiểm soát.

2. An toàn điện

- Phích cắm của dụng cụ điện phải khớp với ổ cắm. Không bao giờ sửa đổi phích cắm theo bất kỳ cách nào. Không sử dụng bất kỳ phích cắm chuyển đổi nào với dụng cụ điện được nối đất (nối đất). Phích cắm nguyên bản và ổ cắm phù hợp sẽ giảm nguy cơ bị điện giật.
- Tránh tiếp xúc cơ thể với dây hoặc các bề mặt được nối đất, chẳng hạn như đường ống, bộ tản nhiệt, bếp nấu và tủ lạnh. Nguy cơ bị điện giật sẽ tăng lên nếu cơ thể bạn được nối đất hoặc tiếp đất.
- Không để dụng cụ điện tiếp xúc với mưa

hoặc điều kiện ẩm ướt. Nước lọt vào dụng cụ điện sẽ làm tăng nguy cơ bị điện giật.

- Không được sử dụng dây điện để mang, kéo hoặc rút phích cắm dụng cụ điện. Giữ dây xa nguồn nhiệt, dầu máy, vật sắc nhọn sắc hoặc các bộ phận chuyển động. Dây bị hư hỏng hoặc vướng víu làm tăng nguy cơ bị điện giật.
- Khi vận hành dụng cụ điện ngoài trời, hãy sử dụng dây điện nối dài phù hợp để sử dụng ngoài trời. Sử dụng dây phù hợp để sử dụng ngoài trời sẽ giảm nguy cơ bị điện giật.
- Nếu bắt buộc phải vận hành dụng cụ điện ở nơi ẩm ướt, hãy sử dụng nguồn điện được bảo vệ bằng thiết bị chống dòng rò (RCD). Sử dụng RCD giúp giảm nguy cơ bị điện giật.

3. An toàn cá nhân

- Hãy cảnh giác, quan sát và phán đoán những gì bạn đang làm khi vận hành dụng cụ điện. Không sử dụng dụng cụ điện khi bạn đang mệt mỏi hoặc đang chịu ảnh hưởng của ma túy, rượu hoặc dược phẩm. Một khoảnh khắc mất tập trung trong khi vận hành dụng cụ điện có thể dẫn đến thương tích cá nhân nghiêm trọng.
- Sử dụng thiết bị bảo hộ cá nhân. Luôn đeo kính bảo vệ mắt. Thiết bị bảo hộ như mặt nạ chống bụi, giày an toàn chống trượt, mũ cứng hoặc thiết bị bảo vệ thính giác được sử dụng trong điều kiện thích hợp sẽ giảm thương tích cá nhân.
- Phòng ngừa việc vô tình khởi động máy. Đảm bảo công tắc ở vị trí tắt trước khi kết nối với nguồn điện và/hoặc bộ pin, khi nhắc hoặc mang dụng cụ. Mang các dụng cụ điện với ngón tay của bạn trên công tắc hoặc cung cấp năng lượng cho các dụng cụ điện có công tắc đang ở trạng thái ON sẽ gây ra tai nạn.
- Tháo mọi khóa điều chỉnh hoặc cờ lê trước khi bật dụng cụ điện. Cờ lê hoặc chìa khóa còn gắn vào bộ phận quay của dụng cụ điện có thể gây thương tích cá nhân.
- Hãy giữ thăng bằng. Giữ chỗ đứng thích hợp và lúc nào cũng cân bằng. Điều này cho phép kiểm soát dụng cụ điện tốt hơn trong những tình huống không mong muốn.
- Ăn mặc đúng cách. Không mặc quần áo

MÁY SIẾT BU LÔNG DÙNG PIN

rộng thùng thình hoặc đeo đồ trang sức .

Giữ tóc và quần áo của bạn tránh xa các bộ phận chuyển động. Quần áo rộng, đồ trang sức hoặc tóc dài có thể bị vướng vào các bộ phận chuyển động.

- g) Nếu các thiết bị được cung cấp để gắn các bộ phận hút và thu gom bụi, hãy đảm bảo các thiết bị này được gắn và sử dụng đúng cách. Sử dụng bộ phận thu gom bụi sẽ giảm bớt các nguy hiểm liên quan đến bụi.
- h) Đừng để sự quen thuộc có được từ việc thường xuyên việc sử dụng các dụng cụ cho phép bạn trở nên tự mãn và bỏ qua các nguyên tắc an toàn của dụng cụ. Một hành động bất cẩn có thể gây thương tích nghiêm trọng trong vòng chưa đầy một giây.

4. Sử dụng và bảo quản dụng cụ điện

- a) Không sử dụng quá tải dụng cụ điện. Hãy chọn đúng dụng cụ để sử dụng cho ứng dụng của bạn. Dụng cụ điện phù hợp sẽ thực hiện công việc tốt hơn và an toàn hơn theo đúng công năng được thiết kế.
- b) Không sử dụng dụng cụ điện nếu công tắc không bật và tắt được. Bất kỳ dụng cụ điện nào không thể điều khiển được bằng công tắc đều nguy hiểm và phải được sửa chữa.
- c) Ngắt kết nối phích cắm khỏi nguồn điện nguồn và/hoặc tháo bộ pin (nếu có thể tháo rời) khỏi dụng cụ điện trước khi thực hiện bất kỳ điều chỉnh, thay đổi nào, hoặc cất giữ dụng cụ điện. Những hành động phòng ngừa này làm giảm nguy cơ vô tình khởi động dụng cụ điện.
- d) Cất giữ các dụng cụ điện không sử dụng ngoài tầm với của trẻ em và không cho phép những người không quen với dụng cụ điện hoặc những hướng dẫn này vận hành dụng cụ điện. Dụng cụ điện rất nguy hiểm khi nằm trong tay người sử dụng chưa qua đào tạo.
- e) Bảo trì các dụng cụ điện và phụ kiện. Kiểm tra xem các bộ phận chuyển động có bị lệch hoặc bị kẹt, các bộ phận có bị gãy hay không và bất kỳ tình trạng nào khác có thể ảnh hưởng đến hoạt động của dụng cụ điện. Nếu bị hư hỏng, hãy sửa chữa dụng cụ điện trước khi sử dụng. Nhiều vụ tai nạn xảy ra do dụng cụ điện được bảo trì kém.
- f) Giữ dụng cụ cất luôn sắc bén và sạch sẽ.

Các dụng cụ cất được bảo trì đúng cách với các cạnh sắc bén sẽ ít bị kẹt hơn và dễ kiểm soát hơn.

- g) Sử dụng dụng cụ điện, phụ kiện và mũi khoan, v.v. theo các hướng dẫn này, có tính đến các điều kiện làm việc và công việc sẽ được thực hiện. Việc sử dụng dụng cụ điện cho những hoạt động khác với dự định có thể dẫn đến tình huống nguy hiểm.
- h) Giữ tay cầm và bề mặt cầm nắm khô ráo, sạch sẽ và không dính dầu mỡ. Tay cầm và bề mặt cầm trơn trượt không cho phép xử lý và điều khiển dụng cụ một cách an toàn trong các tình huống bất ngờ.

5. Sử dụng và bảo quản dụng cụ dùng pin

- a) Chỉ sạc lại bằng bộ sạc do nhà sản xuất chỉ định. Bộ sạc phù hợp với một loại pin này có thể gây nguy cơ cháy nổ khi sử dụng với một loại pin khác.
- b) Chỉ sử dụng dụng cụ điện với bộ pin được chỉ định cụ thể. Việc sử dụng bất kỳ bộ pin nào khác có thể gây ra nguy cơ chấn thương và hỏa hoạn.
- c) Khi không sử dụng bộ pin, hãy để pin cách xa các vật kim loại mà có thể tạo kết nối từ cực này sang cực khác như kẹp giấy, đồng xu, chìa khóa, đinh, ốc vít hoặc các vật kim loại nhỏ khác. Việc chập mạch các cực của pin với nhau có thể gây bỏng hoặc cháy.
- d) Trong điều kiện khắc nghiệt, chất lỏng có thể bắn ra khỏi pin; tránh tiếp xúc. Nếu vô tình xảy ra tiếp xúc, hãy xả bằng nước. Nếu chất lỏng tiếp xúc với mắt, hãy tìm kiếm sự trợ giúp y tế. Chất lỏng bắn ra từ pin có thể gây kích ứng hoặc bỏng.
- e) Không sử dụng bộ pin hoặc dụng cụ bị hư hỏng hoặc bị sửa đổi. Pin bị hư hỏng hoặc bị sửa đổi có thể có biểu hiện hoạt động không thể đoán trước dẫn đến cháy, nổ hoặc có nguy cơ gây thương tích.
- f) Không để bộ pin hoặc dụng cụ tiếp xúc với lửa hoặc nhiệt độ quá cao. Tiếp xúc với lửa hoặc nhiệt độ trên 130°C có thể gây nổ.
- g) Thực hiện theo tất cả các hướng dẫn sạc, không sạc bộ pin hoặc dụng cụ ngoài phạm vi nhiệt độ được chỉ định trong hướng dẫn. Sạc không đúng cách hoặc sạc ở nhiệt độ ngoài phạm vi quy định có thể làm hỏng pin và tăng nguy cơ cháy nổ.

6. Dịch vụ

- a) Hãy để người sửa chữa có trình độ chuyên môn bảo trì dụng cụ điện của bạn và chỉ sử dụng các phụ tùng giống hệt nhau để thay thế. Điều này sẽ đảm bảo rằng sự an toàn của dụng cụ điện được duy trì.
- b) Không được sửa chữa bộ pin bị hỏng. Việc sửa chữa bộ pin chỉ được thực hiện bởi nhà sản xuất hoặc nhà cung cấp dịch vụ được ủy quyền..

CẢNH BÁO AN TOÀN MÁY VẬN BU LÔNG

- 1) Cầm dụng cụ điện ở các bề mặt tay nắm cách điện khi thực hiện thao tác trong đó phụ kiện cắt hoặc chốt có thể tiếp xúc với hệ thống dây điện ẩn. Phụ kiện cắt hoặc chốt tiếp xúc với dây "có điện" có thể làm cho các bộ phận kim loại hở ra của dụng cụ điện "có điện" và có thể khiến người vận hành bị điện giật.

CẢNH BÁO AN TOÀN CHO BỘ PIN

- a) Không tháo rời, mở hoặc cắt nhỏ các tế bào pin hoặc bộ pin.
- b) Không làm đoản mạch bộ pin. Không cắt giữ các bộ pin một cách bừa bãi trong hộp hoặc ngăn kéo vì chúng có thể làm chập mạch lẫn nhau hoặc bị đoản mạch bởi các vật liệu dẫn điện. Khi không sử dụng bộ pin, hãy để pin cách xa các vật kim loại khác, như kẹp giấy, đồng xu, chìa khóa, đinh, ốc vít hoặc các vật kim loại nhỏ khác, mà có thể tạo kết nối từ cực này sang cực khác. Việc chập mạch các cực của pin với nhau có thể gây bỏng hoặc cháy.
- c) Không để bộ pin tiếp xúc với nhiệt hoặc ngọn lửa. Tránh bảo quản dưới ánh nắng trực tiếp.
- d) Không để bộ pin bị tác động cơ học.
- e) Trong trường hợp pin bị rò rỉ, không để chất lỏng tiếp xúc với da hoặc mắt. Nếu đã tiếp xúc, hãy rửa vùng bị ảnh hưởng bằng nhiều nước và tìm tư vấn y tế.

- f) Giữ bộ pin sạch sẽ và khô ráo.
- g) Lau các cực của bộ pin bằng vải khô sạch nếu chúng bị bẩn.
- h) Bộ pin cần phải được sạc trước khi sử dụng. Luôn tham khảo hướng dẫn này và sử dụng quy trình sạc đúng.
- i) Không sạc pin khi không sử dụng.
- j) Sau thời gian bảo quản kéo dài, có thể cần phải sạc và xả pin nhiều lần để đạt được hiệu suất tối đa.
- k) Chỉ sạc lại bằng bộ sạc do nhà sản xuất chỉ định. Không sử dụng bất kỳ bộ sạc nào khác ngoài bộ sạc được cung cấp riêng cho thiết bị.
- l) Không sử dụng bất kỳ bộ pin nào không được thiết kế để sử dụng với thiết bị.
- m) Giữ bộ pin xa tầm tay trẻ em.
- n) Giữ lại tài liệu sản phẩm gốc để tham khảo trong tương lai.
- o) Tháo pin ra khỏi thiết bị khi không sử dụng.
- p) Vứt bỏ đúng cách.
- q) Không trộn lẫn các tế bào có sản xuất, công suất, kích thước hoặc loại khác nhau trong một thiết bị.
- r) Giữ pin tránh xa lò vi sóng và áp suất cao.
- s) Cảnh báo! Không sử dụng pin không sạc.

CẢNH BÁO AN TOÀN CHO BỘ SẠC



CẢNH BÁO! Đọc tất cả các cảnh báo an toàn và tất cả các hướng dẫn.

Không tuân theo tất cả hướng dẫn được liệt kê dưới đây có thể dẫn đến điện giật, hỏa hoạn và/hoặc thương tích nghiêm trọng.

Lưu tất cả các cảnh báo và hướng dẫn để tham khảo trong tương lai.

Thiết bị này có thể được sử dụng bởi trẻ em từ 8 tuổi trở lên và những người bị suy giảm năng lực về thể chất, giác quan hoặc tâm thần hoặc thiếu kinh nghiệm và kiến thức nếu họ được giám sát hoặc hướng dẫn sử dụng thiết bị một cách an toàn và hiểu rõ các mối nguy hiểm. Có liên quan. Trẻ em không được chơi với thiết bị. Trẻ em không được phép vệ sinh và bảo trì người dùng nếu không có sự giám sát.

MÁY SIẾT BU LÔNG DÙNG PIN

Nếu dây nguồn bị hỏng, nó phải được thay thế bởi nhà sản xuất, đại lý dịch vụ hoặc những người có trình độ tương tự để tránh nguy hiểm.

1. Trước khi sạc, hãy đọc hướng dẫn.
2. Không sạc pin bị rò rỉ.
3. Không sử dụng bộ sạc cho các công việc khác ngoài mục đích thiết kế của chúng.
4. Trước khi sạc, hãy đảm bảo bộ sạc của bạn có phù hợp với nguồn điện AC hay không.
5. Chỉ sử dụng trong nhà và không tiếp xúc với mưa.
6. Thiết bị sạc phải được bảo vệ khỏi độ ẩm.
7. Không sử dụng thiết bị sạc ngoài trời.
8. Không làm chập mạch các điểm tiếp xúc của pin hoặc bộ sạc.
9. Chú ý cực "+/-" khi sạc.
10. Không mở thiết bị và để xa tầm tay trẻ em.
11. Không sạc pin của các nhà sản xuất khác hoặc các mẫu không phù hợp.
12. Đảm bảo rằng kết nối giữa bộ sạc pin và pin được đặt đúng vị trí và không bị vật lạ cản trở.
13. Giữ các khe cắm của bộ sạc pin không có vật lạ và bảo vệ khỏi bụi bẩn và độ ẩm. Bảo quản ở nơi khô ráo và không có sương giá.
14. Khi sạc pin, hãy đảm bảo bộ sạc pin được đặt ở khu vực thông thoáng và cách xa các vật liệu dễ cháy. Pin có thể bị nóng trong quá trình sạc. Không sạc quá mức bất kỳ pin nào. Đảm bảo rằng pin và bộ sạc được giám sát trong quá trình sạc.
15. Không sạc lại pin không sạc được vì chúng có thể quá nóng và hỏng.
16. Có thể đạt được tuổi thọ dài hơn và hiệu suất tốt hơn nếu bộ pin được sạc khi nhiệt độ không khí nằm trong khoảng từ 18 °C đến 24 °C. Không sạc bộ pin ở nhiệt độ không khí dưới 0 °C hoặc trên 40 °C. Đây là quan trọng vì nó có thể ngăn ngừa hư hỏng nghiêm trọng cho bộ pin.
17. Chỉ sạc pin cùng loại do nhà sản xuất cung cấp và các loại pin được nhà sản xuất khuyến nghị.

BIỂU TƯỢNG



Để giảm nguy cơ chấn thương, người dùng phải đọc hướng dẫn sử dụng



Cảnh báo



Đeo bảo vệ tai



Mang kính bảo vệ mắt



Đeo mặt nạ chống bụi



Các sản phẩm điện thải không được thải bỏ cùng với rác thải sinh hoạt. Hãy tái chế ở nơi có cơ sở vật chất. Hãy kiểm tra với chính quyền địa phương hoặc nhà bán lẻ để được tư vấn về tái chế.



Đọc hướng dẫn vận hành



Chỉ sử dụng trong nhà



Cực dương



Cầu chì cực âm



Cầu chì



Cách nhiệt kép



Không được đốt



Pin có thể đi vào chu trình nước nếu xử lý không đúng cách, điều này có thể gây nguy hiểm cho hệ sinh thái. Không vứt bỏ pin thải như rác thải đô thị chưa được phân loại.



Pin Li-Ion Sản phẩm này đã được đánh dấu bằng biểu tượng liên quan đến 'bộ sưu tập riêng' cho tất cả các bộ pin và bộ pin. Sau đó nó sẽ được tái chế hoặc tháo dỡ để giảm tác động đến môi trường. Bộ pin có thể gây nguy hiểm cho môi trường và sức khỏe con người vì chúng chứa các chất độc hại.



DANH SÁCH CÁC BỘ PHẬN CỦA MÁY

1. CÁN GẠT ĐẢO CHIỀU
2. CÔNG TÁC BẬT/TẮT
3. TAY CẮM MỀM
4. MỐC TREO MÁY
5. BỘ PIN *
6. NÚT THÁO BỘ PIN *
7. ĐÈN LED
8. NGÀM GIỮ ĐẦU KHẨU

* Không phải tất cả các phụ kiện được minh họa hoặc mô tả đều được bao gồm trong gói giao hàng tiêu chuẩn.

THÔNG SỐ KỸ THUẬT

Loại IW20S-250 & IW20S-250T2T (20S-250-ký hiệu máy, đại diện cho Máy vận bu lông)

	IW20S-250	IW20S-250T2T
Điện áp	18V \equiv (Tối đa 20V)	
Tốc độ không tải	0-2900 /phút	
Tỷ lệ tác động	0-3000 nhíp/phút	
Mô-men xoắn tối đa	250 Nm	
Đầu cốt	Hình vuông 1/2"	
Bộ pin	/	BI20-2 (2.0Ah)
Bộ sạc	/	C20-2 (2.0A)
Trọng lượng máy	1.3kg	1.8kg

GÓI PIN PHÙ HỢP

Mã hàng	BI20-2	BI20-4
Công suất pin	2.0Ah	4.0Ah

BỘ SẠC PHÙ HỢP

Mã hàng	C20-2	C20-4
Điện áp vào bộ sạc	100-240V~50/60Hz, 55W	100-240V~50/60Hz, 95W
Điện áp ra sạc	20V \equiv 2.0A	20V \equiv 4.0A
Thời gian sạc (xấp xỉ)	1giờ (2.0 Ah) 2giờ (4.0 Ah)	30phút (2.0 Ah) 60phút (4.0 Ah)
Lớp bảo vệ bộ sạc	<input type="checkbox"/> /II	<input type="checkbox"/> /II

MÁY SIẾT BU LÔNG DÙNG PIN

THÔNG TIN TIẾNG ÒN

Áp suất âm thanh có trọng số	L_{pA} : 89.4dB (A)
Công suất âm thanh có trọng số	L_{wA} : 97.4dB (A)
K_{pA} & K_{wA}	3dB (A)
Đeo bảo vệ tai.	

THÔNG TIN RUNG

Tổng giá trị rung động (tổng vector ba trục) được xác định theo EN 62841:	
Giá trị phát ra rung động:	$a_h = 12.9m/s^2$
	Độ bất định $K = 1.5m/s^2$

Tổng giá trị rung được công bố và giá trị phát ra tiếng ồn được công bố đã được đo theo phương pháp thử tiêu chuẩn và có thể được sử dụng để so sánh dụng cụ này với dụng cụ khác. Tổng giá trị rung động được công bố và giá trị phát ra tiếng ồn đã công bố cũng có thể được sử dụng trong đánh giá sơ bộ về mức độ phơi nhiễm.

! **CẢNH BÁO!** Độ rung và tiếng ồn phát ra trong quá trình sử dụng thực tế dụng cụ điện có thể khác với giá trị được công bố tùy thuộc vào cách sử dụng dụng cụ, đặc biệt là loại phối nào được xử lý tùy thuộc vào các ví dụ sau và các biến thể khác về cách sử dụng công cụ: Cách sử dụng công cụ và vật liệu được cắt hoặc khoan. Công cụ đang ở trong tình trạng tốt và được bảo trì tốt.

Việc sử dụng đúng phụ kiện cho dụng cụ và đảm bảo nó sắc bén và ở tình trạng tốt.

Độ chặt của tay cầm trên tay cầm và có sử dụng phụ kiện chống rung, chống ồn hay không. Và công cụ này đang được sử dụng đúng mục đích nhờ thiết kế của nó và các hướng dẫn này.

Công cụ này có thể gây ra hội chứng rung tay-cánh tay nếu việc sử dụng nó không được quản lý đầy đủ.

! **CẢNH BÁO!** Để chính xác, việc ước tính mức độ phơi nhiễm trong điều kiện sử dụng thực tế cũng phải tính đến tất cả các phần của chu kỳ vận hành, chẳng hạn như thời điểm khi công cụ bị tắt và khi nó chạy không tải nhưng không thực sự thực hiện công việc. Điều này có thể làm giảm đáng kể mức độ phơi nhiễm trong tổng thời gian làm việc.

Giúp giảm thiểu rủi ro tiếp xúc với rung động và tiếng ồn.

Luôn sử dụng đục, khoan và lưỡi dao sắc bén.

Bảo trì công cụ này theo các hướng dẫn này và luôn bôi trơn tốt (nếu thích hợp).

Nếu dụng cụ này được sử dụng thường xuyên thì hãy đầu tư vào các phụ kiện chống rung và chống ồn.

Lập kế hoạch lịch trình làm việc của bạn để dàn trải việc sử dụng công cụ có độ rung cao trong một số ngày.

PHỤ KIỆN

	IW20S-250	IW20S-250T2T
Ngàm đeo thắt lưng	1	1
Bộ pin	/	2
Bộ sạc	/	1

Chúng tôi khuyên bạn nên mua phụ kiện từ cùng một cửa hàng đã bán dụng cụ cho bạn. Tham khảo bao bì phụ kiện để biết thêm chi tiết. Nhân viên cửa hàng có thể hỗ trợ bạn và đưa ra lời khuyên.

HƯỚNG DẪN VẬN HÀNH



LƯU Ý: Trước khi sử dụng dụng cụ, hãy đọc kỹ sách hướng dẫn.

MỤC ĐÍCH SỬ DỤNG

Dụng cụ này được thiết kế để siết và rời lỏng các bu lông, đai ốc và các loại ốc vít có ren khác nhau. Dụng cụ này không nhằm mục đích sử dụng như một máy khoan.

TRƯỚC KHI ĐƯA VÀO VẬN HÀNH

1. SẠC BỘ PIN

Không sử dụng bất kỳ bộ sạc nào khác ngoài bộ sạc được cung cấp riêng cho thiết bị.

Nếu bộ pin quá nóng, bạn phải tháo bộ pin ra khỏi bộ sạc và để pin nguội một thời gian trước khi sạc lại.

Vui lòng sạc pin để pin đầy trước khi cất giữ. Nếu không sử dụng dụng cụ trong thời gian dài, hãy sạc pin 3 tháng một lần.

- QUY TRÌNH SẠC (XEM HÌNH A1)

- 1) Cắm bộ sạc vào ổ cắm thích hợp.
Đèn xanh sẽ sáng.
- 2) Trượt bộ pin vào bộ sạc, đảm bảo pin nằm đúng vị trí sạc. Đèn xanh sẽ tắt và đèn đỏ sẽ sáng để cho biết quá trình sạc đã bắt đầu.
- 3) Khi sạc xong, đèn đỏ tắt và đèn xanh sẽ sáng.
- 4) Sau khi sạc đầy, rút phích cắm bộ sạc và tháo bộ pin.

LƯU Ý: Nếu bộ pin bị khóa trong bộ sạc, hãy nhấn nút tháo bộ pin và tháo nó ra.



CẢNH BÁO! Khi hết pin sau khi sử dụng hoặc tiếp xúc liên tục để trực tiếp dưới ánh nắng mặt trời hoặc nguồn nhiệt, hãy để dụng cụ có thời gian nguội trước khi sạc lại để đạt được mức sạc đầy.

- CHỈ BÁO SẠC (XEM HÌNH A2)

Bộ sạc này được thiết kế để phát hiện một số vấn đề có thể phát sinh với bộ pin. Đèn báo cho biết có vấn đề (xem bảng bên dưới). Nếu điều này xảy ra, hãy lắp bộ pin mới để xác định xem bộ sạc có ổn không. Nếu pin mới sạc đúng cách thì pin ban đầu bị lỗi và bạn phải gửi lại trung tâm dịch vụ hoặc trung tâm dịch vụ tái chế. Nếu bộ pin mới có vấn đề tương tự như bộ pin ban đầu, hãy mang bộ sạc đến trung tâm dịch vụ ủy quyền để kiểm tra.

Ánh sáng	Đèn nháy BẬT/TẮT	Trạng thái
Bật màu đỏ 	————	Sạc
Đèn đỏ 	- - - - -	Pin bị lỗi
Bật xanh 	————	Đã sạc đầy
Đèn flash xanh 	- - - - -	Pin quá nóng/lạnh

- ĐỂ KIỂM TRA TÌNH TRẠNG ĐIỆN CỦA BỘ PIN (XEM HÌNH A3)

Có thể biết mức pin từ đèn báo pin bằng cách nhấn nút bên cạnh đèn.

1. ĐỂ THÁO HOẶC LẮP BỘ PIN VÀO DỤNG CỤ (XEM HÌNH B1, B2)

Trước tiên, hãy nhấn mạnh nút tháo bộ pin rồi trượt bộ pin ra khỏi dụng cụ của bạn.

Trượt bộ pin đã sạc đầy vào dụng cụ với một lực vừa đủ cho đến khi nó khớp vào vị trí.

2. LẮP HOẶC THÁO ĐẦU KHẨU TRÊN GIÁ ĐỖ DỤNG CỤ (KHÔNG ĐƯỢC CUNG CẤP) (XEM HÌNH C)

Để lắp ổ cắm, hãy lắp đầu khẩu vào giá đỡ dụng cụ. Để tháo đầu khẩu, hãy kéo đầu khẩu ra khỏi giá đỡ dụng cụ.



CẢNH BÁO: Kiểm tra cẩn thận giá đỡ dụng cụ và đầu khẩu trước khi sử dụng dụng cụ.

Các mặt hàng bị thiếu hoặc hư hỏng nên được thay thế. Đảm bảo công tắc đã được khóa hoặc tháo bộ pin trước khi thay phụ kiện.

3. KHÓA CÔNG TẮC (XEM HÌNH D1)


Công tắc bật/tắt có thể bị khóa ở vị trí TẮT. Điều này giúp giảm khả năng vô tình khởi động khi không sử dụng. Để khóa công tắc bật/tắt, hãy đặt nút điều khiển xoay ở vị trí chính giữa.


4. ĐIỀU KHIỂN QUAY TIẾN/ĐÀO (XEM HÌNH D2-D3)

Để xoay về phía trước, (với mâm cặp hướng ra xa bạn) hãy di chuyển điều khiển xoay sang trái.

MÁY SIẾT BU LÔNG DÙNG PIN

Để xoay ngược lại, (với mâm cặp hướng ra xa bạn) hãy di chuyển điều khiển xoay sang phải.


 **CẢNH BÁO:** Không bao giờ thay đổi hướng quay khi mâm cặp đang quay, hãy đợi cho đến khi nó dừng lại!

 **CẢNH BÁO:** Không bao giờ thay đổi hướng quay khi mâm cặp đang quay, hãy đợi cho đến khi nó dừng lại!

HOẠT ĐỘNG

1. VẬN HÀNH CÔNG TẮC BẬT/TẮT (XEM HÌNH D)

Nhấn xuống để bắt đầu và thả ra để dừng dụng cụ của bạn. Công tắc bật/tắt được trang bị chức năng phanh giúp dừng mâm cặp ngay lập tức khi bạn nhanh chóng nhả công tắc. Nó cũng là một công tắc tốc độ thay đổi mang lại tốc độ và mô-men xoắn cao hơn với lực bóp tăng lên. Tốc độ được kiểm soát bởi mức độ bóp công tắc.

 **LƯU Ý:** Chỉ cần đẩy nút điều khiển xoay sang trái/phải, bạn có thể nhấn công tắc bật/tắt. Cảnh báo: Không vận hành trong thời gian dài ở tốc độ thấp vì nhiệt dư sẽ sinh ra bên trong.

2. ĐÈN LED CHỈ BÁO

Để bật đèn chỉ cần nhấn công tắc bật/tắt. Khi bạn nhả công tắc bật/tắt, đèn sẽ tắt sau vài giây. Ánh sáng LED làm tăng khả năng hiển thị trong khu vực tối hoặc kín.

3. CÁCH SỬ DỤNG MÓC ĐEO THẮT LƯNG (XEM HÌNH F1, F2)

Vận móc đeo thắt lưng vào dụng cụ bằng vít. Móc đeo thắt lưng có thể được móc vào thắt lưng hoặc túi của bạn, v.v.

4. BẢO VỆ QUÁ TẢI

Khi quá tải, động cơ sẽ dừng lại. Giảm tải cho máy ngay lập tức và để máy nguội trong khoảng 30 giây ở tốc độ không tải cao nhất.

5. BẢO VỆ QUÁ TẢI PHỤ THUỘC NHIỆT ĐỘ

Khi sử dụng đúng mục đích, dụng cụ điện không thể bị quá tải. Khi tải quá cao hoặc vượt quá nhiệt độ cho phép của pin là 75°C, bộ điều khiển điện tử sẽ tắt dụng cụ điện cho đến khi nhiệt độ trở lại phạm vi nhiệt độ tối ưu.

BẢO TRÌ

Tháo bộ pin ra khỏi dụng cụ trước khi thực hiện bất kỳ điều chỉnh, bảo dưỡng hoặc bảo trì nào.

Tháo bộ pin ra khỏi dụng cụ trước khi thực hiện bất kỳ điều chỉnh, bảo dưỡng hoặc bảo trì nào. Dụng cụ điện của bạn không cần bôi trơn hoặc bảo trì thêm. Không có bộ phận nào trong dụng cụ điện của bạn cần bạn bảo dưỡng. Không bao giờ sử dụng nước hoặc chất tẩy rửa hóa học để làm sạch dụng cụ điện của bạn. Lau sạch bằng vải khô. Luôn bảo quản dụng cụ điện của bạn ở nơi khô ráo. Giữ sạch các khe thông gió của động cơ. Giữ tắt cả các điều khiển hoạt động không có bụi. Thành thạo bạn có thể thấy tia lửa điện xuyên qua các khe thông gió. Điều này là bình thường và sẽ không làm hỏng dụng cụ điện của bạn.


DÀNH CHO DỤNG CỤ PIN

Phạm vi nhiệt độ môi trường xung quanh để sử dụng và bảo quản dụng cụ, pin là 0°C-45°C. Phạm vi nhiệt độ môi trường xung quanh được khuyến nghị cho hệ thống sạc trong khi sạc là 0°C-40°C.

XỬ LÝ SỰ CỐ

1. Chức năng quay tiến/đảo là gì? Chức năng quay tiến/đảo cho phép bạn thay đổi hướng của động cơ. Chế độ tiến được thiết kế để siết chặt. Chế độ đảo ngược nhằm mục đích nới lỏng.
2. Tại sao dụng cụ không bật khi bạn nhấn công tắc? Điều khiển xoay tiến/lùi được định vị ở chức năng khóa. Mở khóa điều khiển xoay tiến/lùi bằng cách đặt nó vào vị trí xoay cần thiết. Nhấn công tắc bật/tắt và dụng cụ sẽ bắt đầu xoay.

BẢO VỆ MÔI TRƯỜNG

 Các sản phẩm điện phế thải không được thải bỏ cùng với rác thải sinh hoạt. Hãy tái chế ở nơi có cơ sở vật chất. Hãy kiểm tra với chính quyền địa phương hoặc nhà bán lẻ để được tư vấn về tái chế.

EC Tuyên bố về Sự phù hợp



Chúng tôi :

HYUNDAI Corporation Holdings Europe
Am Kronberger Hang 2A, 65824, Schwalbach am Taunus
Germany

Chúng tôi tuyên bố rằng sản phẩm chi tiết dưới đây :
Máy siết bu lông dùng pin

MÃU: IW20S-250 & IW20S-250T2T
CHỨC NĂNG: Thắt chặt và nới lỏng vít, đai ốc

Đáp ứng các yêu cầu của các chỉ thị của Hội đồng :
2006/42/EC, 2011/65/EU & (EU)2015/863,
2014/30/EU, (EU)2023/1542, 2014/35/EU, (EU)2023/1542, 2014/35/EU

Các tiêu chuẩn tuân thủ :
EN 62841-1, EN 62841-2-2, EN IEC 55014-1,
EN IEC 55014-2, EN IEC 63000, EN 62133-2,
EN 60335-1, EN 60335-2-29, EN 62233,
EN IEC 55014-1, EN IEC 55014-2, EN IEC 61000-3-2, EN 61000-3-3

Người được ủy quyền biên soạn hồ sơ kỹ thuật,
Tên : Hyundae Kim
Địa chỉ : HYUNDAI Corporation Holdings Europe
65824 Schwalbach am Taunus, Germany

VN

Giám đốc điều hành

Jaiwon Hur

Quản lý dự án

Sungwoo Hong

Ngày : 2024.09.25

БЕЗЖИЧЕН УДАРЕН ОДВРТУВАЧ

ОРИГИНАЛНИ ИНСТРУКЦИИ БЕЗБЕДНОСТ НА ПРОИЗВОДОТ ОПШТ ЕЛЕКТЕН АЛАТ БЕЗБЕДНОСНИ ПРЕДУПРЕДУВАЊА

! ПРЕДУПРЕДУВАЊЕ! Прочитајте ги сите безбедносни предупредувања, упатства, илустрации и спецификации дадени со оваа електрична алатка. Ако не се следат сите упатства наведени подолу, може да дојде до електричен удар, пожар и/или сериозни повреди.

Зачувајте ги сите предупредувања и упатства за идна референца.

Терминот „електричен алат“ во предупредувањата се однесува на вашиот електричен алат кој работи од мрежа (со кабел) или електричен алат кој работи на батерии (без жици).

1. БЕЗБЕДНОСТ НА РАБОТНИОТ ПРОСТОР

- а) Одржувајте ја работната површина чиста и добро осветлена. Преполните или темните области предизвикуваат несреќи.
- б) Не ракувајте со електричните алати во експлозивни атмосфери, како на пример во присуство на запаливи течности, гасови или прашина. Електричните алатки создаваат искри што може да ја запалат прашината или испарувањата.
- в) Држете ги децата и случајните минувачи подалеку додека ракувате со електрична алатка. Одвлекувањето на вниманието може да предизвика да изубите контрола.

2. ЕЛЕКТРИЧНА БЕЗБЕДНОСТ

- а) Приклучоците за електричниот алат мора да одговараат на штекерот. Никогаш не го менувајте приклучокот на кој било начин. Не користете никакви приклучоци за адаптер со заземјени (заземјени) електрични алати. Непроменетите приклучоци и соодветните приклучоци ќе го намалат ризикот од електричен удар.
- б) Избегнувајте контакт на телото со заземјени или заземјени површини,

како што се цевки, радијатори, полигони и фрижидери. Постои зголемен ризик од електричен удар ако вашето тело е заземјено или заземјено.

- в) Не изложувајте ги електричните алати на дожд или влажни услови. Водата што влегува во електричниот алат ќе го зголеми ризикот од електричен удар.
- г) Не го злоупотребувајте кабелот. Никогаш не користете го кабелот за носење, влечење или исклучување на електричниот алат. Чувајте го кабелот подалеку од топлина, масло, остри рабови или подвижни делови. Оштетените или заплетканите кабли го зголемуваат ризикот од електричен удар.
- д) Кога ракувате со електрична алатка на отворено, користете продолжен кабел погоден за надворешна употреба. Употребата на кабел погоден за надворешна употреба го намалува ризикот од електричен удар.
- ѓ) Ако ракувањето со електрична алатка на влажна локација е неизбежно, користете уред за заштита од преостаната струја (RCD). Употребата на RCD го намалува ризикот од електричен удар.

3. ЛИЧНА БЕЗБЕДНОСТ

- а) Бидете внимателни, внимавајте што правите и користете здрав разум кога ракувате со електрична алатка. Не користете електрична алатка додека сте уморни или под дејство на дрога, алкохол или лекови. Моментот на невнимание додека ракувате со електричните алати може да резултира со сериозна лична повреда.
- б) Користете лична заштитна опрема. Секогаш носете заштита за очи. Заштитната опрема како маска за прав, заштитни чевли што не се лизгаат, тврда капа или заштита за слух што се користи за соодветни услови ќе ги намали личните повреди.
- в) Спречете ненамерно палење. Уверете се дека прекинувачот е во исклучена положба пред да се поврзете со изворот на енергија и/или со батерискиот пакет, да ја земете или да ја носите алатката.

Носењето електрични алати со прстот на прекинувачот или напојувањето на електричните алати на кои е вклучен прекинувачот предизвикува несреќи.

- г) **Отстранете го клучот за прилагодување или клучот пред да го вклучите електричниот алат.** *Клучот или клучот што е оставен закачен на ротирачкиот дел од електричниот алат може да резултира со лична повреда.*
- д) **Не претерувајте.** Одржувајте правилна основа и рамнотежа во секое време. *Ова овозможува подобра контрола на електричниот алат во неочекувани ситуации.*
- ѓ) **Облечете се правилно.** Не носете широка облека или накит. Чувајте ја вашата коса, облека и ракавици подалеку од подвижни делови. *Лабава облека, накит или долга коса може да се фатат во подвижни делови.*
- е) **Доколку се обезбедени уреди за поврзување на капацитети за вадење и собирање прашина, проверете дали тие се поврзани и правилно користени.** *Употребата на собирање прашина може да ги намали опасностите поврзани со прашина.*
- ж) **Не дозволувајте блискоста добиена од честата употреба на алатките да ви овозможи да станете самозадоволни и да ги игнорирате принципите за безбедност на алатот.** *Невнимателно дејство може да предизвика сериозна повреда во дел од секундата.*

4. УПОТРЕБА И НЕГА НА ЕЛЕКТЕН АЛАТ

- а) **Не присилувајте го електричниот алат.** Користете ја правилната електрична алатка за вашата апликација. *Правилниот електричен алат ќе ја заврши работата подобро и побезбедно со брзината за која е дизајнирана.*
- б) **Не користете го електричниот алат ако прекинувачот не го вклучува и исклучува.** *Секој електричен алат што не може да се контролира со прекинувачот е опасен и мора да се поправи.*
- в) **Исклучете го приклучокот од изворот на струја и/или батерискиот пакет од електричниот алат пред да извршите**

какви било прилагодувања, да менувате додатоци или да ги чувате електричните алати. *Ваквите превентивни безбедносни мерки го намалуваат ризикот од случајно палење на електричниот алат.*

- г) **Чувајте ги електричните алати во мирување подалеку од дофат на деца и не дозволувајте лица кои не се запознаени со електричниот алат или со овие упатства да ракуваат со електричниот алат.** *Електричните алатки се опасни во рацете на необучени корисници.*
 - д) **Одржувајте ги електричните алати.** Проверете дали има неусогласеност или врзување на подвижните делови, кршење на делови и каква било друга состојба што може да влијае на работата на електричниот алат. *Доколку е оштетен, поправете го електричниот алат пред употреба. Многу несреќи се предизвикани од лошо одржувани електрични алати.*
 - ѓ) **Чувајте ги алатките за сечење остри и чисти.** *Правилно одржуваните алати за сечење со остри рабови за сечење имаат помала веројатност да се врзат и полесно се контролираат.*
 - е) **Користете го електричниот алат, додатоците и деловите за алат итн. во согласност со овие упатства, земајќи ги предвид работните услови и работата што треба да се изврши.** *Употребата на електричниот алат за операции различни од планираните може да доведе до опасна ситуација.*
 - ж) **Чувајте ги рачките и површините за фаќање суви, чисти и без масло и маснотии.** *Лизгавите рачки и површините за фаќање не дозволуваат безбедно ракување и контрола на алатот во неочекувани ситуации.*
- #### 5. КОРИСТЕЊЕ И НЕГА НА АЛАТ ЗА БАТЕРИЈА
- а) **Полнете само со полначот наведен од производителот.** *Полнач кој е соодветен за еден тип батериски пакет може да создаде ризик од пожар кога се користи со друг батериски пакет.*
 - б) **Користете електрични алати само со специјално назначени батерии.**

БЕЗЖИЧЕН УДАРЕН ОДВРТУВАЧ

Употребата на други батерии може да создаде ризик од повреда и пожар.

- в) Кога батерискиот пакет не се користи, држете го подалеку од други метални предмети, како што се спојки за хартија, монети, клучеви, клинци, завртки или други мали метални предмети, кои можат да направат поврзување од еден терминал до друг. Скратувањето на терминалите на батеријата може да предизвика изгореници или пожар.
- г) Под навредливи услови, течноста може да се исфрли од батеријата; избегнувајте контакт. Ако случајно дојде до контакт, исплакнете со вода. Доколку течноста дојде во контакт со очите, дополнително побарајте лекарска помош. Исфрлената течност од батеријата може да предизвика иритација или изгореници.
- д) Не користете батериски пакет или алатка што е оштетена или изменета. Оштетените или изменетите батерии може да покажат непредвидливо однесување што резултира со пожар, експлозија или ризик од повреда.
- ѓ) Не изложувајте батериски пакет или алатка на оган или прекумерна температура. Изложеноста на оган или температура над 130°C може да предизвика експлозија.
- е) Следете ги сите упатства за полнење и не полнете ја батеријата или алатката надвор од температурниот опсег наведен во упатствата. Неправилно полнење или на температури надвор од наведениот опсег може да ја оштети батеријата и да го зголеми ризикот од пожар.

6. СЕРВИС

- а) Обезбедете ја вашата електрична алатка да ја сервисира квалификувано лице за поправка користејќи само идентични резервни делови. Ова ќе осигури дека се одржува безбедноста на електричниот алат.
- б) Никогаш не ги сервисирајте оштетените батерии. Сервисирањето на батериските пакувања треба да го врши само производителот или овластените даватели на услуги.

БЕЗБЕДНОСТ ПРЕДУПРЕДУВАЊА


1. Држете го електричниот алат за изолираните површини за држење, кога вршите операција каде што спојката може да дојде во контакт со скриените жици. Прицврстувачите кои допираат до жица „жива“ може да ги направат откриените метални делови на електричниот алат „во живо“ и може да предизвикаат електричен шок на операторот.

БЕЗБЕДНОСНИ ПРЕДУПРЕДУВАЊА ЗА ПАКЕТ НА БАТЕРИИ

- а) Не расклопувајте, отворајте или распарчувајте ќелии или батериски пакет.
- б) Не поврзувајте го комплетот батерии. Не чувајте батериски пакети случајно во кутија или фиока каде што може да се спојат еден со друг или да бидат краток спој од спроводливи материјали. Кога батерискиот пакет не се користи, чувајте го подалеку од други метални предмети, како што се спојници за хартија, монети, клучеви, клинци, завртки или други мали метални предмети, кои можат да направат поврзување од еден терминал до друг. Скратувањето на терминалите на батеријата може да предизвика изгореници или пожар.
- в) Не изложувајте го батерискиот пакет на топлина или оган. Избегнувајте складирање на директна сончева светлина.
- г) Не го изложувајте батерискиот пакет на механички удар.
- д) Во случај на истекување на батеријата, не дозволувајте течноста да дојде во контакт со кожата или очите. Доколку е остварен контакт, измијте ја погодената област со обилна количина на вода и побарајте лекарска помош.
- ѓ) Чувајте го батерискиот пакет чист и сув.
- е) Избришете ги приклучоците на батерискиот пакет со чиста сува крпа ако се извалкаат.

- ж) Батеријата треба да се наполни пред употреба. Секогаш повикувајте се на ова упатство и користете ја правилната процедура за полнење.
- з) Не го одржувајте батерискиот пакет на полнење кога не го користите.
- с) По подолги периоди на складирање, може да биде потребно полнење и празнење батерискиот пакет неколку пати за да се добијат максимални перформанси.
- и) Полнете само со полначот наведен од производителот. Не користете друг полнач освен оној што е специјално обезбеден за употреба со опремата.
- ј) Не користете батериски пакет што не е дизајниран за употреба со опремата.
- м) Чувајте го батерискиот пакет подалеку од дофат на деца.
- н) Чувајте ја оригиналната литература за производот за идна референца.
- о) Отстранете ја батеријата од опремата кога не ја користите.
- стр) Фрлете го правилно.
- п) Не мешајте келии од различно производство, капацитет, големина или тип во уред.
- г) Чувајте ја батеријата подалеку од микробранови и висок притисок.
- с) Предупредување! Не користете батерии што не се полнат.

БЕЗБЕДНОСНИ ПРЕДУПРЕДУВАЊА ЗА ПОЛНАЧ

 **ПРЕДУПРЕДУВАЊЕ!** Прочитајте ги сите безбедносни предупредувања и сите упатства. *Неуспехот да се следат сите упатствата наведени подолу може да резултираат со електричен удар, пожар и/или сериозни повреди.*

Зачувајте ги сите предупредувања и упатства за идна референца.

Овој апарат може да го користат деца на возраст од 8 години и повеќе и лица со намалени физички, сетилни или ментални способности или недостаток на искуство и знаење доколку им се дадени надзор или инструкции за користење

на апаратот на безбеден начин и ги разбираат опасностите вклучени. Децата не смеат да си играат со апаратот. Чистењето и одржувањето на корисникот не смеат да го вршат деца без надзор.

Ако кабелот за напојување е оштетен, тој мора да биде заменет од производителот, неговиот сервисер или слично квалификувани лица за да се избегне опасност.

1. Пред полнење, прочитајте ги упатствата.
2. Не полнете батерија што протекува.
3. Не користете полначи за други работи освен оние за кои се дизајнирани.
4. Пред да го полните, проверете дали полначот одговара на локалното напојување со наизменична струја.
5. За внатрешна употреба, или не изложувајте на дожд.
6. Уредот за полнење мора да биде заштитен од влага.
7. Не користете го уредот за полнење на отворено.
8. Не ги скратувајте контактите на батеријата или полначот.
9. Почитувајте го поларитетот „+/-“ при полнење.
10. Не отворајте го уредот и чувајте го подалеку од дофат на деца.
11. Не полнете ги батериите од други производители или несоодветни модели.
12. Погрижете се врската помеѓу полначот на батериите и батеријата да е правилно поставена и да не е попречена од туѓи тела.
13. Чувајте ги отворите на полначот за батерии без туѓи предмети и заштитете ги од нечистотија и влажност. Да се чува на суво и без мраз место.
14. Кога ги полните батериите, проверете дали полначот е во добро проветрена област и подалеку од запаливи материјали. Батериите може да се загреат за време на полнењето. Не преполнувајте батерии. Уверете се дека батериите и полначите не се оставени без надзор за време на полнењето.
15. Не полнете ги батериите што не се полнат, бидејќи може да се прегреат и да се скршат.
16. Подолг животен век и подобри перформанси може да се добијат ако батерискиот пакет се полни кога температурата на

БЕЗЖИЧЕН УДАРЕН ОДВРТУВАЧ

воздухот е помеѓу 18°В и 24°С. Не полнете го батерискиот пакет на температури на воздухот под 0°С, или над 40°В. Ова е важно бидејќи може да спречи сериозно оштетување на батерискиот пакет.

17. Полнете само батериски пакет од истиот модел обезбеден од производителот и модели препорачани од производителот.



Двојна изолација



Не изгорувајте

СИМБОЛИ



За да се намали ризикот од повреда, корисникот мора да го прочита упатството за употреба



Предупредување



Носете заштита за уши



Носете заштита за очи



Носете маска за прашина



Отпадните електрични производи не смеат да се фрлаат со домашен отпад. Ве молиме рециклирајте таму каде што има капацитети. Проверете кај вашите локални власти или продавач за совет за рециклирање.



Прочитајте го упатството за операторот



Само за внатрешна употреба



Позитивен терминал



Негативен терминал



Осигурувач



Батериите може да влезат во циклусот на вода доколку се отстранат неправилно, што може да биде опасно за екосистемот. Не фрлајте ги отпадните батерии како несортиран комунален отпад.



Li-Ion батерија Овој производ е означен со симбол кој се однесува на „посебно собирање“ за сите батерии и батериски пакет. Потоа ќе се рециклира или демонтира со цел да се намали влијанието врз животната средина. Пакетите со батерии можат да бидат опасни за животната средина и за здравјето на луѓето бидејќи содржат опасни материи.

ЛИСТА НА КОМПОНЕНТИ

1. КОНТРОЛА НА РОТАЦИЈА НАПРЕД/ОБРАЗНА
2. ВКЛУЧУВАЧ ЗА ВКЛУЧУВАЊЕ/ИСКЛУЧУВАЊЕ
3. МЕКА РАЧКА ЗА РАЧКА
4. СТИГАЧ ЗА ПОЈАС
5. БАТЕРИЈА *
6. КОПЧЕ ЗА ОСЛОБОДУВАЊЕ НА БАТЕРИЈАТА *
7. LED СВЕТЛО
8. ДРЖАЧ ЗА АЛАТ

* Не сите илустрирани или опишани додатоци се вклучени во стандардната испорака.

ТЕХНИЧКИ ПОДАТОЦИ

Тип IW20S-250 & IW20S-250T2T (20S-250-ознака на машини, претставник на ударен клуч)

	IW20S-250	IW20S-250T2T
Напон	18V \equiv (макс. 20V)	
Нема брзина на оптоварување	0-2900 /мин	
Стапка на влијание	0-3000 bpm	
Максимален вртежен момент	250 Nm	
Големина на чак	Плоштад 1/2".	
Пакет батерии	/	BI20-2 (2.0Ah)
Полнач	/	C20-2 (2.0A)
Тежина на машината	1.3 кг	1.8 кг

ПОГОДНИ БАТЕРИИ

Точка број	BI20-2	BI20-4
Капацитет на батеријата	2.0Ah	4.0Ah

ПОГОДНИ ПОЛНАЧИ

Точка број	C20-2	C20-4
Влез на полнач	100-240V~50/60Hz, 55W	100-240V~50/60Hz, 95W
Излез на полнач	20V \equiv 2.0A	20V \equiv 4.0A
Време на полнење (прибл.)	1 час (2,0 Ax) 2 часа (4,0 Ax)	30 минути (2,0 Ax) 60 минути (4,0 Ax)
Класа за заштита на полнач	\square /II	\square /II

БЕЗЖИЧЕН УДАРЕН ОДВРТУВАЧ

ИНФОРМАЦИИ ЗА БУЧАВА

Пондериран звучен притисок	L_{pA} : 89.4dB (A)
Пондерирана звучна моќ	L_{WA} : 97.4dB (A)
K_{pA} & K_{WA}	3dB (A)
Носете заштита за уши.	

ИНФОРМАЦИИ ЗА ВИБРАЦИИ

Вкупни вредности на вибрации (триакс векторски збир) утврдени според EN 62841:	
Вредност на емисија на вибрации:	$a_h = 12.9m/s^2$
	Несигурност $K = 1.5m/s^2$

Декларираната вкупна вредност на вибрациите и декларираната вредност на емисија на бучава се измерени во согласност со стандарден метод на тестирање и може да се користат за споредување на една алатка со друга.

Декларираната вкупна вредност на вибрациите и декларираната вредност на емисија на бучава може да се користат и при прелиминарна проценка на изложеноста.

! **ПРЕДУПРЕДУВАЊЕ!** Вибрациите и емисиите на бучава за време на вистинската употреба на електричниот алат може да се разликуваат од декларираната вредност во зависност од начините на кои алатот се користи особено што видот на работното парче се обработува во зависност од следните примери и други варијации за тоа како се користи алатката:

Како се користи алатот и материјалите што се сечат или дупчат.

Алатката е во добра состојба и добро одржувана.

Употреба на правилен додаток за алатот и обезбедување дека е остра и во добра состојба.

Затегнатоста на рачката на рачките и доколку се користат додатоци против вибрации и бучава.

И алатката се користи како што е предвидено со неговиот дизајн и овие упатства.

Оваа алатка може да предизвика синдром на вибрации на рака-рака доколку не се управува соодветно со нејзината употреба.

! **ПРЕДУПРЕДУВАЊЕ!** За да биде точна, проценката на нивото на изложеност во реалните услови на употреба треба да ги земе предвид и сите делови од работниот циклус, како што се времињата кога алатот е исклучен и кога работи во мирување, но всушност не ја врши работата. Ова може значително да го намали нивото на изложеност во текот на вкупниот работен период.

Помога да се минимизира ризикот од вибрации и изложеност на бучава.

Секогаш користете остри длета, дупчалки и сечила.

Одржувајте ја оваа алатка во согласност со овие упатства и чувајте ја добро подмачкана (каде што е соодветно).

Ако алатот треба да се користи редовно, тогаш инвестирајте во додатоци против вибрации и бучава.

Планирајте го вашиот работен распоред за да ја проширите употребата на алат со високи вибрации низ неколку денови.

ДОДАТОЦИ

	IW20S-250	IW20S-250T2T
Клип за појас	1	1
Пакет батерии	/	2
Полнач	/	1

Ви препорачуваме да ги купите вашите додатоци од истата продавница што ви ја продаде алатката. Погледнете го пакувањето на додатоците за повеќе детали. Персоналот на продавницата може да ви помогне и да понуди совет.

РАБОТА ИНСТРУКЦИИ



ЗАБЕЛЕШКА: Пред да ја користите алатката, внимателно прочитајте ја книгата со упатства.

НАМЕНСКА УПОТРЕБА

Оваа алатка е наменета за прицврстување и олабавување на завртки, навртки и разни прицврстувачи со навој. Оваа алатка не е наменета за употреба како вежба.

ПРЕД СТАВАЊЕ ВО РАБОТА

1. ЗА ПОЛНЕЊЕ НА БАТЕРИЈАТА

Не користете друг полнач освен оној што е специјално обезбеден за употреба со опремата.

Ако батерискиот пакет е многу жешок, мора да ја извадите батеријата од полначот и да оставите време батеријата да се олади пред повторно да ја наполните.

Наполнете ја батеријата за да се наполни пред складирањето. Ако алатката нема да се користи долго време, полнете ја батеријата на секои 3 месеци.

- ПОСТАПКА НА НАПЛАНЕЊЕ (ВИДИ

СЛИКА А1)

- 1) Приклучете го полначот во соодветен штекер. Зеленото светло ќе светне.
- 2) Вметнете го батерискиот пакет во полначот, проверете дали батеријата е цврсто во правилната положба за полнење. Зеленото светло ќе биде исклучено и црвеното светло ќе светне за да покаже дека процесот на полнење е започнат.
- 3) Кога полнењето ќе заврши, црвеното светло се исклучува и зеленото светло ќе светне.

- 4) Откако ќе се наполни целосно, исклучете го полначот и извадете го батерискиот пакет.

ЗАБЕЛЕШКА: Ако батерискиот пакет е заклучен во полначот, притиснете го копчето за ослободување на батериите и извадете го.



ПРЕДУПРЕДУВАЊЕ! Кога полнењето на батеријата ќе се потроши по континуирано користење или изложување на директна сончева светлина или топлина, оставете време алатката да се олади пред повторно да ја наполните за да постигнете целосно полнење.





- ИНДИКАТОР ЗА ПОЛНЕЊЕ (ВИДИ

СЛИКА А2)

Овој полнач е дизајниран да детектира некои проблеми што можат да настанат со батериите. Показните светла покажуваат проблеми (видете ја табелата подолу). Ако се случи ова, вметнете нова батерија за да одредите дали полначот е во ред. Ако новата батерија се полни правилно, тогаш оригиналниот пакет е неисправен и треба да се врати во сервисен центар или сервис за рециклирање. Ако новиот батериски пакет го прикажува истиот проблем како и оригиналниот батериски пакет, полначот нека се тестира во овластен сервисен центар.

Светлина	ВКЛУЧЕНО ИСКЛУЧЕНО блиц	Статус
Црвено вклучено 	—	Полнење
Црвен блиц 	- - - - -	Неисправна батерија

БЕЗЖИЧЕН УДАРЕН ОДВРТУВАЧ

Зелено вклучено 		Целосно наполнето
Зелен блиц 		Батеријата е премногу жешка/ Ладно

- ЗА ПРОВЕРУВАЊЕ НА СОСТОЈБАТА НА БАТЕРИЈАТА (ВИДИ СЛИКА А3)

Нивото на батеријата може да се дознае од показното светло за батеријата со притискање на копчето покрај светлата.

2. ЗА ОТСТРАНУВАЊЕ ИЛИ ИНСТАЛИРАЊЕ НА БАТЕРИЈАТА ВО АЛАТКАТА (ВИДИ СЛИКА Б1, Б2)

Прво цврсто притиснете го копчето за ослободување на батериите, а потоа извлекете го од вашата алатка. Лизгајте го целосно наполнетиот батериски пакет на алатката со доволна сила додека не кликне во положбата.

3. ИНСТАЛИРАЊЕ ИЛИ ОТСТРАНУВАЊЕ НА ПРЕКУПОТ НА ДРЖАЧОТ ЗА АЛАТ (НЕ СЕ ИСПОРАЧУВА) (ВИДИ СЛИКА В)

За да го инсталирате штекерот, вметнете го штекерот на држачот за алат. За да го извадите штекерот, извлекете го штекерот од држачот за алат.

 **ПРЕДУПРЕДУВАЊЕ:** Внимателно проверете ги држачите и штекерот за алат пред да ја користите алатката.

Предметите што недостасуваат или се оштетени треба да се заменат. Проверете дали прекинувачот е заклучен или отстранете ја батеријата пред да ја смените ополнителната опрема.


ОПЕРАЦИЈА

1. ЗАКЛУЧУВАЧ ЗА ЗАКЛУЧУВАЊЕ (ВИДИ СЛИКА Д1)

Прекинувачот за вклучување/исклучување може да се заклучи во положбата OFF. Ова помага да се намали можноста за случајно палење кога не се користи. За заклучување на прекинувач за вклучување/исклучување, поставете ја контролата на ротација во средишната положба.

2. КОНТРОЛА НА РОТАЦИЈА НАПРЕД/ ОБРАТНО (ВИДИ СЛИКА D2-D3)


За вртење напред, (со чашката насочена од вас) поместете ја контролата на ротација налево. За обратна ротација, (со чашката насочена од вас) поместете ја контролата на ротација надесно.

 **ПРЕДУПРЕДУВАЊЕ:** Никогаш не менувајте ја насоката на вртење кога чак се ротира, почекајте додека не се запре!

3. РАКУВАЊЕ СО ВКЛУЧУВАЧОТ ЗА ВКЛУЧУВАЊЕ/ИСКЛУЧУВАЊЕ (ВИДИ СЛИКА Д)

Притиснете за да започнете и отпуштете го за да ја запрете вашата алатка.

Прекинувачот за вклучување/исклучување е опремен со функција за сопирање која го запира вашиот чак веднаш кога брзо ќе го отпуштите прекинувачот. Тоа е, исто така, прекинувач со променлива брзина што обезбедува поголема брзина и вртежен момент со зголемен притисок на активирањето. Брзината е контролирана од количината на депресија на активирањето на прекинувачот. **ЗАБЕЛЕШКА:** Само притискајќи ја контролата на ротација на левата/десната страна, прекинувачот за вклучување/исклучување може да се притисне.

 **ПРЕДУПРЕДУВАЊЕ:** Не работете долги периоди со мала брзина бидејќи ќе се создаде прекумерна топлина внатре.

4. ЛЕД СВЕТЛИВО ИНДИКАТОР

За да го вклучите светлото, едноставно притиснете го прекинувачот за вклучување/исклучување. Кога ќе го ослободите прекинувачот за вклучување/исклучување, светлото ќе се исклучи по неколку секунди. LED осветлувањето ја зголемува видливоста во темни или затворени области.

5. КАКО ДА ГО КОРИСТЕ СТЕПКАТА ЗА ПОЈАС (ВИДИ СЛИКА F1, F2)

Зашрафете ја штипката за ремен на алатката со завртката. Прицврстувачот за појас може да се закачи на вашиот ремен или џеб, итн.

6. ЗАШТИТА ОД ПРЕТОВАРУВАЊЕ

Кога е преоптоварен, моторот застанува. Веднаш ослободете го товарот на машината и оставете да се излади околу 30 секунди со најголема брзина без оптоварување.

7. ЗАШТИТА ОД ПРЕТОВАРУВАЊЕ ОД ТЕМПЕРАТУРА

Кога се користи како што е наменет за електричниот алат не може да биде подложен на преоптоварување. Кога оптоварувањето е превисоко или е надмината дозволената температура на батеријата од 75°C, електронската контрола го исклучува електричниот алат додека температурата повторно не биде во оптималниот температурен опсег.

ОДРЖУВАЊЕ

Отстранете ја батеријата пред да извршите какво било прилагодување, сервисирање или одржување.

Вашата алатка не бара дополнително подмачкување или одржување. Нема делови што може да се сервисираат од страна на вашиот електричен алат. Никогаш не користете вода или хемиски средства за чистење за да го чистите вашиот електричен алат. Избришете го со сува крпа. Секогаш чувајте го вашиот електричен алат на суво место. Чувајте ги отворите за вентилација на моторот чисти. Чувајте ги сите работни контроли без прашина.

Повремено може да видите искри низ отворите за вентилација. Ова е нормално и нема да го оштети вашиот електричен алат.

За алат за батерии

Опсегот на амбиентална температура за употреба и складирање на алатот и батеријата е 0°C-45°C.

Препорачаниот опсег на температурата на околината за системот за полнење за време на полнењето е 0°C-40°C.

РЕШАВАЊЕ НА ПРОБЛЕМИ

1. Која е функцијата на ротирање напред/назад?

Функцијата за вртење напред/назад ви овозможува да ја промените насоката на моторот. Напредниот режим е наменет за прицврстување. Обратен режим е наменет за олабавување.

2. Зошто алатката не се вклучува кога ќе го притиснете прекинувачот?

Контролата на ротација напред/назад е поставена во функцијата за заклучување. Отклучете ја контролата на ротација напред/назад ставајќи ја во потребната положба за ротирање. Притиснете го прекинувачот за вклучување/исклучување и алатката ќе почне да се ротира.

ЗАШТИТА



Отпадните електрични производи не смеат да се фрлаат со домашен отпад.

■ Ве молиме рециклирајте таму каде што има капацитети. Проверете кај вашите локални власти или продавач за совет за рециклирање.

БЕЗЖИЧЕН УДАРЕН ОДВРТУВАЧ

ЕС Декларација за Усогласеност



Ние:

HYUNDAI Corporation Holdings Europe
Am Kronberger Hang 2A, 65824, Schwalbach am Taunus
Germany

Изјави дека производот е детално опишан подолу :
Безжичен ударен клуч

МОДЕЛ : IW20S-250 & IW20S-250T2T
ФУНКЦИЈА : Затегнување и олабавување завртки, навртки

Ги задоволува барањата од Директивите на Советот :
2006/42/EC, 2011/65/EU & (EU)2015/863,
2014/30/EU, (EU)2023/1542, 2014/35/EU, (EU)2023/1542, 2014/35/EU

Стандардите се во согласност со :
EN 62841-1, EN 62841-2-2, EN IEC 55014-1,
EN IEC 55014-2, EN IEC 63000, EN 62133-2,
EN 60335-1, EN 60335-2-29, EN 62233,
EN IEC 55014-1, EN IEC 55014-2, EN IEC 61000-3-2, EN 61000-3-3

Лицето овластено за составување на техничкото досие,
Име : Hyundai Kim
Адреса : HYUNDAI Corporation Holdings Europe
65824 Schwalbach am Taunus, Germany

МК

Главен менаџер

Jaiwon Hur

Проектен менаџер

Sungwoo Hong

Датум : 2024.09.25

ORJİNAL TALİMATLAR ÜRÜN GÜVENLİĞİ GENEL ELEKTRİKLİ EL ALETİ GÜVENLİK UYARILARI

⚠ UYARI! Tüm güvenlik uyarılarını, talimatları, resimleri ve Bu elektrikli aletle birlikte verilen teknik özellikler. Aşağıda listelenen tüm talimatlara uyulmaması elektrik çarpmasına, yangına ve/veya ciddi yaralanmalara neden olabilir.

Tüm uyarıları ve talimatları ilerde başvurmak üzere saklayın.

Uyarıların geçen "elektrikli alet" terimi, şebeke elektrikli çalışan (kablolu) elektrikli aletinizi veya aküyle çalışan (kablesiz) elektrikli aletinizi ifade eder.

1. ÇALIŞMA ALANI GÜVENLİĞİ

- Çalışma alanını temiz ve iyi aydınlatılmış tutun.** Dağınık veya karanlık alanlar kazalara davetiye çıkarır.
- Elektrikli aletleri yanıcı sıvılar, gazlar veya toz gibi patlayıcı ortamlarda çalıştırmayın.** Elektrikli aletler, tozu veya dumanı tutuşturabilecek kıvılcımlar oluşturur.
- Elektrikli bir aleti kullanırken çocukları ve çevredekileri uzak tutun.** Dikkatinizin dağılması kontrolü kaybetmenize neden olabilir.

2. ELEKTRİK GÜVENLİĞİ

- Elektrikli alet fişleri prize uygun olmalıdır.** Fişi hiçbir şekilde değiştirmeyin. Topraklı elektrikli aletlerde adaptör fişi kullanmayın. Değiştirilmemiş fişler ve eşleşen prizler elektrik çarpması riskini azaltacaktır.
- Borular, radyatörler, ocaklar ve buzdolapları gibi topraklanmış yüzeylerle vücut temasından kaçının.** Artan bir risk vardır. Vücudunuz topraklanırsa elektrik çarpması tehlikesi vardır.
- Elektrikli aletleri yağmura veya ıslak koşullara maruz bırakmayın.** Elektrikli bir alete su girmesi elektrik çarpması riskini artıracaktır.
- Kabloyu kötüye kullanmayın.** Kabloyu asla elektrikli aleti taşımak, çekmek veya fişten çıkarmak için kullanmayın. Kabloyu ısıdan, yağdan, keskin kenarlardan veya

hareketli parçalardan uzak tutun. Hasarlı veya dolaşmış kablolar elektrik çarpması riskini artırır.

- Elektrikli bir aleti açık havada kullanırken, açık havada kullanım için uygun bir uzatma kablosu kullanın.** Dış mekanda kullanıma uygun bir kablunun kullanılması elektrik çarpması riskini azaltır.
- Elektrikli bir aletin nemli bir yerde çalıştırılması kaçınılmazsa, artık akım cihazı (RCD) korumalı bir besleme kullanın.** RCD kullanımı elektrik çarpması riskini azaltır.

3. KİŞİSEL GÜVENLİK

- Dikkatli olun, ne yaptığınıza dikkat edin ve elektrikli bir aleti kullanırken sağduyulu davranın.** Yorgunken veya uyuşturucu, alkol veya ilaç etkisi altındayken elektrikli alet kullanmayın. Elektrikli aletleri kullanırken bir anlık dikkatsizlik ciddi yaralanmalara neden olabilir.
- Kişisel koruyucu ekipman kullanın.** Daima göz koruması kullanın. Uygun koşullar için kullanılan toz maskesi, kaymayan güvenlik ayakkabıları, baret veya işitme koruması gibi koruyucu ekipmanlar kişisel yaralanmaları azaltacaktır.
- İstem dışı çalıştırmayı önleyin.** Güç kaynağına ve/veya akü paketine bağlamadan, aleti kaldırmadan veya taşımadan önce şalterin kapalı konumda olduğundan emin olun. Elektrikli aletleri parmağınız şalterin üzerindeyken taşımak veya şalteri açık olan elektrikli aletlere enerji vermek kazalara davetiye çıkarır.
- Elektrikli aleti çalıştırmadan önce herhangi bir ayar anahtarını veya anahtarı çıkarın.** Elektrikli aletin dönen bir parçasına takılı kalan bir anahtar veya anahtar yaralanmalara neden olabilir.
- Aşırı uzanmayın.** Her zaman düzgün basmaya ve dengede durmaya dikkat edin. Bu, beklenmedik durumlarda elektrikli aletin daha iyi kontrol edilmesini sağlar.
- Düzgün giyinin.** Bol giysiler giymeyin veya takı takmayın. Saçınızı, giysilerinizi ve eldivenlerinizi hareketli parçalardan uzak tutun. Bol giysiler, takılar veya uzun saçlar hareketli parçalara takılabilir.
- Toz emme ve toplama tesislerinin**

AKÜLÜ DARBELİ SOMUN SIKMA ANAHTARI

bağlanması için cihazlar sağlanmışsa, bunların bağlandığından ve uygun şekilde kullanıldığından emin olun. *Toz toplama kullanımı tozla ilgili tehlikeleri azaltabilir.*

- h) Aletlerin sık kullanımından kaynaklanan aşınalığın kayıtsız kalmanıza ve alet güvenliği ilkelerini göz ardı etmenize izin vermesine izin vermeyin. *Dikkatsiz bir hareket saniyenin çok küçük bir bölümünde ciddi yaralanmalara neden olabilir.*

4. ELEKTRİKLİ EL ALETİ KULLANIMI VE BAKIMI

- a) Elektrikli aleti zorlamayın. Uygulamanız için doğru elektrikli aleti kullanın. *Doğru elektrikli el aleti, tasarlandığı hızda işi daha iyi ve daha güvenli yapacaktır.*
- b) Şalter aleti açıp kapatmıyorsa aleti kullanmayınız. *Şalter ile kontrol edilemeyen elektrikli aletler tehlikelidir ve onarılmazdır.*
- c) Herhangi bir ayarlama yapmadan, aksesuarları değiştirmeden veya elektrikli aletleri depolamadan önce fişi güç kaynağından ve/veya akü paketini elektrikli aletten ayırın. *Bu tür önleyici güvenlik önlemleri elektrikli aletin yanlışlıkla çalıştırılma riskini azaltır.*
- d) Kullanılmayan elektrikli aletleri çocukların erişemeyeceği yerlerde saklayın ve elektrikli aleti veya bu talimatları bilmeyen kişilerin kullanmasına izin vermeyin elektrikli aleti çalıştırmak için. *Elektrikli aletler eğitimsiz kullanıcıların elinde tehlikelidir.*
- e) Elektrikli aletlerin bakımını yapın. Hareketli parçaların yanlış hizalanmasını veya sıkışmasını, parçaların kırılmasını ve elektrikli aletin çalışmasını etkileyebilecek diğer durumlara kontrol edin. *Eğer hasarlıysa elektrikli aleti kullanmadan önce onanın. Birçok kazaya bakımı iyi yapılmamış elektrikli aletler neden olmaktadır.*
- f) Kesici aletleri keskin ve temiz tutun. *Keskin kesici kenarlara sahip, bakımı düzgün yapılmış kesici aletlerin bağlanma olasılığı daha düşüktür ve kontrol edilmeleri daha kolaydır.*
- g) Elektrikli el aletini, aksesuarları ve alet uçlarını vs. bu talimatlara uygun olarak, çalışma koşullarını ve yapılacak işi dikkate alarak kullanınız. *Elektrikli el aletinin öngörülenden farklı amaçlarla kullanılması*

tehlikeli durumlara yol açabilir.

- h) Tutamakları ve kavrama yüzeylerini kuru, temiz ve yağsız ve gressiz tutun. *Kaygan tutamaklar ve kavrama yüzeyleri, beklenmedik durumlarda aletin güvenli bir şekilde kullanılmasına ve kontrol edilmesine izin vermez.*
- ### 5. AKÜ ALETİNİN KULLANIMI VE BAKIMI
- a) Yalnızca üretici tarafından belirtilen şarj cihazıyla şarj edin. *Bir tip pil takımı için uygun olan bir şarj cihazı, başka bir pil takımı ile kullanıldığında yangın riski oluşturabilir.*
- b) Elektrikli el aletlerini sadece özel olarak belirlenmiş akü paketleri ile kullanın. *Başka akü paketlerinin kullanılması yaralanma ve yangın riski oluşturabilir.*
- c) Pil takımı kullanılmadığında, bir terminalden diğerine bağlantı yapabilecek ataç, bozuk para, anahtar, çivi, vida veya diğer küçük metal nesnelere gibi diğer metal nesnelere uzak tutun. *Pil terminallerinin birbirine kısa devre yapması yanıklara veya yangına neden olabilir.*
- d) Kötü koşullar altında aküden sıvı çıkabilir; temastan kaçının. *Kazara temas olursa, suyla yıkayın. Sıvı gözlere temas ederse, ayrıca tıbbi yardım alın. Aküden çıkan sıvı tahrişe veya yanıklara neden olabilir.*
- e) Hasarlı veya modifiye edilmiş bir akü paketini veya aleti kullanmayın. *Hasarlı veya modifiye edilmiş aküler yangın, patlama veya yaralanma riski ile sonuçlanabilecek öngörülemez davranışlar sergileyebilir.*
- f) Pil takımını veya aleti ateşe veya aşırı sıcaklığa maruz bırakmayın. *Ateşe maruz kalma veya 130°C'nin üzerindeki sıcaklık patlamaya neden olabilir.*
- g) Tüm şarj talimatlarına uyun ve akü paketini veya aleti talimatlarda belirtilen sıcaklık aralığının dışında şarj etmeyin. *Uygun olmayan şekilde veya Belirtilen aralığın dışındaki sıcaklıklar aküye zarar verebilir ve yangın riskini artırabilir.*
- ### 6. SERVİS
- a) Elektrikli aletinizin bakımını sadece aynı yedek parçaları kullanarak kalifiye bir onarım personeline yaptırın. *Bu, elektrikli aletin güvenliğinin korunmasını sağlayacaktır.*

- b) Hasarlı akü paketlerine asla servis uygulamayın. Akü paketlerinin servisi yalnızca üretici veya yetkili servis sağlayıcılar tarafından yapılmalıdır.

DARBELİ ANAHTAR GÜVENLİK UYARILARI


1. Sabitleme elemanının gizli kablolarla temas edebileceği bir çalışma yaparken elektrikli el aletini yalıtımlı tutma yüzeylerinden tutunuz. "Akım ileten" bir kabloya temas eden sabitleme elemanları, elektrikli el aletinin açtıkları metal parçalarını "akım ileten" hale getirebilir ve kullanıcıya elektrik çarpmasına neden olabilir.

BATARYA PAKETİ İÇİN GÜVENLİK UYARILARI

- a) Hücreleri veya pil takımını sökmeyin, açmayın veya parçalamayın.
- b) Bir pil takımına kısa devre yaptırmayın. Pili takımlarını birbirlerine kısa devre yapabilecekleri veya iletken malzemelerle kısa devre yapabilecekleri bir kutu veya çekmecede gelişigüzel saklamayın. Pili takımı kullanılmadığında, ataç, bozuk para, anahtar, çivi, vida veya diğer küçük metal nesnelere gibi diğer metal nesnelere uzak tutun. Bir terminalden diğerine bir bağlantı. Akü terminallerinin birbirine kısa devre yapılması yanıklara veya yangına neden olabilir.
- c) Pili takımını ısıya veya ateşe maruz bırakmayın. Doğrudan güneş ışığı altında saklamaktan kaçınınız.
- d) Pili takımını mekanik darbeye maruz bırakmayın.
- e) Akü sızıntısı olması durumunda sıvının cilt veya göz ile temas etmesine izin vermeyin. Eğer temas olmuşsa yapılmışsa, etkilenen bölgeyi bol miktarda suyla yıkayınız ve tıbbi yardım alın.
- f) Pili takımını temiz ve kuru tutunuz.
- g) Pili takımı terminalleri kirlenirse temiz ve kuru bir bezle siliniz.
- h) Pili takımının kullanımdan önce şarj edilmesi gerekir. Her zaman bu talimata bakınız ve doğru şarj prosedürünü kullanınız.
- i) Kullanmadığınız zamanlarda pili takımını şarjda tutmayınız.

- j) Uzun süreli depolamadan sonra, maksimum performans elde etmek için pili takımını birkaç kez şarj etmek ve boşaltmak gerekebilir.
- k) Yalnızca üretici tarafından belirtilen şarj cihazıyla şarj ediniz. Ekipmanla birlikte kullanım için özel olarak sağlanan şarj cihazından başka bir şarj cihazı kullanmayınız.
- l) Ekipmanla birlikte kullanılmak üzere tasarlanmamış herhangi bir pili takımı kullanmayınız.
- m) Pili takımını çocukların erişemeyeceği bir yerde saklayınız.
- n) Orijinal üründen başka bir şarj cihazı kullanmayınız.
- o) Kullanılmadığında pili ekipmandan çıkarınız.
- p) Uygun şekilde imha ediniz.
- q) Farklı üretim, kapasite, boyut veya tipteki hücreleri bir cihaz içinde karıştırmayınız.
- r) Aküyü mikrodalgalardan ve yüksek basınçtan uzak tutunuz.
- s) Uyarı! Şarj edilemeyen pilleri kullanmayınız.

ŞARJ CİHAZI İÇİN GÜVENLİK UYARILARI

 **UYARI!** Tüm güvenlik uyarılarını ve tüm talimatları okuyunuz. Tüm talimatları uyulmaması aşağıda listelenen talimatlar elektrik çarpmasına, yangına ve/veya ciddi yaralanmalara neden olabilir.

Tüm uyarıları ve talimatları ilerde başvurmak üzere saklayınız.

Cihazın güvenli bir şekilde kullanılmasına ilişkin gözetim veya talimat verilmişse ve ilgili tehlikeleri anlıyorsanız, deneyim ve bilgi eksikliği. Çocuklar cihazla oynamamalıdır. Temizlik ve kullanıcı bakımı gözetim olmadan çocuklar tarafından yapılmamalıdır.

Besleme kablosu hasar görürse, bir tehlikeyi önlemek için üretici, servis temsilcisi veya benzer şekilde kalifiye kişiler tarafından değiştirilmelidir.

1. Şarj etmeden önce talimatları okuyunuz.
2. Sızıntı yapan bir aküyü şarj etmeyiniz.
3. Şarj cihazlarını tasarlandıkları işler dışında kullanmayınız.
4. Şarj etmeden önce, şarj cihazınızın yerel AC

AKÜLÜ DARBELİ SOMUN SIKMA ANAHTARI

- beslemesine uygun olduğundan emin olun.
- İç mekanda kullanım içindir veya yağmura maruz bırakmayın.
 - Şarj cihazı nemden korunmalıdır.
 - Şarj cihazını açık havada kullanmayın.
 - Akü veya şarj cihazının kontaklarına kısa devre yaptırmayın.
 - Şarj ederken "+/-" kutuplarına dikkat edin.
 - Üniteyi açmayın ve çocukların erişemeyeceği bir yerde saklayın.
 - Diğer üreticilerin veya uygun olmayan modellerin akülerini şarj etmeyin.
 - Akü şarj cihazı ile akü arasındaki bağlantının doğru yerleştirildiğinden ve yabancı cisimler tarafından engellenmediğinden emin olun.
 - Akü şarj cihazının yuvalarını yabancı cisimlerden uzak tutun ve kir ve neme karşı koruyun. Kuru ve donmayan bir yerde saklayın.
 - Akülerini şarj ederken, akü şarj cihazının iyi havalandırılan bir alanda ve yanıcı maddelerden uzakta olduğundan emin olun. Aküler şarj sırasında ısınabilir.
- Hiçbir aküyü aşırı şarj etmeyin. Şarj sırasında akülerin ve şarj cihazlarının gözetimsiz bırakılmadığından emin olun.
- Aşırı ısınıp kırılabilirlikleri için şarj edilemeyen pilleri şarj etmeyin.
 - Pil takımı hava sıcaklığı 18°C arasındayken şarj edilirse daha uzun ömür ve daha iyi performans elde edilebilir. ve 24°C. Pil takımını 0°C'nin altındaki veya 40°C'nin üzerindeki hava sıcaklıklarında şarj etmeyin. Bu, ciddi yaralanmaları önleyebileceği için önemlidir. pil takımına zarar verebilir.
 - Yalnızca üretici tarafından sağlanan aynı model ve üretici tarafından önerilen modellerdeki akü paketini şarj edin.



Göz koruması kullanın



Toz maskesi takın



Atık elektrikli ürünler evsel atıklarla birlikte atılmamalıdır. Lütfen tesislerin bulunduğu yerlerde geri dönüştürün. Geri dönüşüm tavsiyeleri için yerel yetkililere veya perakendecinize danışın.



Kullanım kılavuzunu okuyun



Sadece iç mekan kullanımı için



Pozitif terminal



Negatif terminal



T 2A Sigorta



Çift yalıtım



Yakmayın



Piller yanlış şekilde atılırsa su döngüsüne girebilir ve bu da ekosistem için tehlikeli olabilir. Atık pilleri ayrıştırılmamış belediye atığı olarak atmayın.

SEMBOLLER



Yaralanma riskini azaltmak için kullanıcı kullanım kılavuzunu okumalıdır



Uyarı



Kulak koruması takın



Li-Ion pil Bu ürün, tüm pil paketleri ve pil takımını için 'ayrı toplama' ile ilgili bir sembolle işaretlenmiştir. Daha sonra çevre üzerindeki etkiyi azaltmak için geri dönüştürülecek veya sökülecektir. Akü paketleri tehlikeli maddeler içerdiğinden çevre ve insan sağlığı için tehlikeli olabilir.

BİLEŞEN LİSTESİ

1. İLERİ/GERİ DÖNÜŞ KONTROLÜ
2. AÇMA/KAPAMA ŞALTERİ
3. YUMUŞAK KAVRAMA SAPI
4. KEMER KLİPSİ
5. AKÜ PAKETİ *
6. AKÜ PAKETİ SERBEST BIRAKMA DÜĞMESİ *
7. LED IŞIK
8. ALET TUTUCU

* Resimde gösterilen veya açıklanan tüm aksesuarlar standart teslimata dahil değildir.

TEKNİK BİLGİLER

Tip IW20S-250 & IW20S-250T2T (20S-250-makine tanımı, darbeli anahtarı temsil eder)

	IW20S-250	IW20S-250T2T
Gerilim	18V \equiv (20V Max.)	
Yüksüz hız	0-2900 /min	
Etki oranı	0-3000 bpm	
Maksimum tork	250 Nm	
Ayna boyutu	1/2" Square	
Pil takımı	/	BI20-2 (2.0Ah)
Şarj cihazı	/	C20-2 (2.0A)
Makine ağırlığı	1.3kg	1.8kg

UYGUN BATARYA PAKETLERİ

Ürün numarası	BI20-2	BI20-4
Akü kapasitesi	2.0Ah	4.0Ah
	Dahil değildir	Dahil değildir

UYGUN ŞARJ CİHAZLARI

Ürün numarası	C20-2	C20-4
Şarj cihazı girişi	100-240V~50/60Hz, 55W	100-240V~50/60Hz, 95W
Şarj cihazı çıkışı	20V \equiv 2.0A	20V \equiv 4.0A
Şarj süresi (yaklaşık)	1 saat (2.0 Ah) 2 saat (4.0 Ah)	30 dakika(2.0 Ah) 60 dakika (4.0 Ah)
Şarj cihazı koruma sınıfı	\square /II	\square /II
	Dahil değildir	Dahil değildir

AKÜLÜ DARBELİ SOMUN SIKMA ANAHTARI

GÜRÜLTÜ BİLGİLERİ

Ağırlıklı ses basıncı	L_{pA} : 89.4dB (A)
Ağırlıklı bir ses gücü	L_{wA} : 97.4dB (A)
K_{pA} & K_{wA}	3dB (A)
Kulak koruması kullanın.	

TİTREŞİM BİLGİLERİ

Titreşim toplam değerleri (üç eksenli vektör toplamı) EN 62841'e göre belirlenmiştir:	
Titreşim emisyon değeri:	$a_h = 12.9m/s^2$
	Belirsizlik $K = 1.5m/s^2$

Beyan edilen toplam titreşim değeri ve beyan edilen gürültü emisyon değeri standart bir test yöntemine göre ölçülmüştür ve bir aleti diğeriyle karşılaştırmak için kullanılabilir. Beyan edilen titreşim toplam değeri ve beyan edilen gürültü emisyon değeri, maruziyetin ön değerlendirmesinde de kullanılabilir.

⚠ UYARI: Elektrikli el aletinin gerçek kullanımı sırasındaki titreşim ve gürültü emisyonları, aletin kullanım şekline ve özellikle ne tür bir elektrikli el aletinin kullanıldığına bağlı olarak beyan edilen değerden farklı olabilir. İş parçasının işlenmesi, aşağıdaki örneklerle ve takımın nasıl kullanıldığına ilişkin diğer varyasyonlara bağlıdır:

Aletin nasıl kullanıldığı ve kesilen veya delinen malzemeler. Aletin iyi durumda olması ve bakımının iyi yapılması.

Alet için doğru aksesuarın kullanılması ve aksesuarın keskin ve iyi durumda olduğundan emin olunması. Tutamaklardaki kavramanın sıklığı ve titreşim ve gürültü önleyici aksesuarların kullanılıp kullanılmadığı. Aletin tasarımına ve bu talimatlara uygun olarak kullanılıp kullanılmadığı.

Bu alet uygun şekilde kullanılmazsa el-kol titreşim sendromuna neden olabilir.

⚠ UYARI: Doğru olması için, gerçek kullanım koşullarında maruz kalma seviyesinin tahmini, aletin kullanımında olduğu zamanlar gibi çalışma döngüsünün tüm bölümlerini de dikkate almalıdır. kapalıyken ve boşta çalışırken ama aslında iş yapmıyorken. Bu önemli ölçüde azaltabilir toplam çalışma süresi boyunca maruz kalma seviyesi.

Titreşim ve gürültüye maruz kalma riskinizi en aza indirmeye yardımcı olur. Her zaman keskin kesimler, matkaplar ve bıçaklar kullanın.

Bu aletin bakımını bu talimatlara uygun olarak yapın ve iyi yağlanmış halde tutun (uygunsa).

Alet düzenli olarak kullanılacaksa titreşim ve gürültü önleyici aksesuarlara yatırım yapın. Yüksek titreşimli alet kullanımını birkaç güne yaymak için çalışma programınızı planlayın.

AKSESUARLAR

	IW20S-250	IW20S-250T2T
Kemer klipsi	1	1
Pil takımı	/	2
Şarj cihazı	/	1

Aksesuarlarınızı size aleti satan mağazadan satın almanızı öneririz. Daha fazla bilgi için aksesuar ambalajına bakın. Mağaza personeli size yardımcı olabilir ve tavsiyelerde bulunabilir.

KULLANIM TALIMATLARI



NOT: Aleti kullanmadan önce talimat kitabını dikkatlice okuyun.

AMAÇLANAN KULLANIM

Bu alet cıvataların, somunların ve çeşitli dişli bağlantı elemanlarının sabitlemesi ve gevşetilmesi için tasarlanmıştır. Bu alet matkap olarak kullanılmak üzere tasarlanmamıştır.

ÇALIŞTIRMADAN ÖNCE

1. PIL TAKIMINI ŞARJ ETMEK İÇİN

Ekipmanla birlikte kullanılmak üzere özel olarak sağlananlar dışında herhangi bir şarj cihazı kullanmayın.

Pil takımı çok sıcaksa, pil takımınızı şarj cihazından çıkarmalı ve yeniden şarj etmeden önce pilin soğuması için zaman tanınmalısınız. Lütfen saklamadan önce aküyü tam dolu olacak şekilde şarj edin. Alet uzun süre kullanılmayacaksa, aküyü her 3 ayda bir şarj edin.

- ŞARJ PROSEDÜRÜ (BKZ. ŞEK. A1)

- 1) Şarj cihazını uygun bir prize takın. Yeşil ışık yanacaktır.
- 2) Pil takımını şarj cihazına kaydırın, pilin doğru şarj konumunda olduğundan emin olun. Şarj işleminin başladığını belirtmek için yeşil ışık sönecek ve kırmızı ışık yanacaktır.
- 3) Şarj işlemi tamamlandığında kırmızı ışık sönecek ve yeşil ışık yanacaktır.
- 4) Tamamen şarj olduktan sonra şarj cihazının fişini çekin ve pil takımını çıkarın.

NOT: Pil takımı şarj cihazında kilitliyse, pil takımı serbest bırakma düğmesine basın ve çıkarın.



UYARI! Akü şarjı sürekli kullanımdan sonra bittiğinde veya doğrudan güneş ışığı veya ısı, için zaman tanıyın Tam şarj elde etmek için yeniden şarj etmeden önce aleti soğumaya bırakın.

- ŞARJ GÖSTERGESİ (BKZ. ŞEKİL A2)

Bu şarj cihazı, batarya paketlerinde ortaya çıkabilecek bazı sorunları tespit etmek için tasarlanmıştır.

Gösterge ışıkları sorunları gösterir (aşağıdaki tabloya bakın). Bu durumda, şarj cihazında sorun olup olmadığını belirlemek için yeni bir pil takımı takın. Yeni pil doğru şekilde şarj oluyorsa, orijinal

paket arızalıdır ve bir servis merkezine veya geri dönüşüm servis merkezine iade edilmelidir. Yeni pil takımı orijinal pil takımıyla aynı sorunu gösteriyorsa, şarj cihazını yetkili bir servis merkezinde test ettirin.

İşık	AÇIK/KAPALI flaş	Durum
Kırmızı açık 	—	Şarj etme
Kırmızı flaş 	- - - -	Arızalı Akü
Yeşil açık 	—	Tam Şarjlı
Yeşil flaş 	- - - -	Akü çok sıcak/ soğuk

- PIL TAKIMININ GÜÇ DURUMUNU KONTROL ETMEK İÇİN (BKZ. ŞEKİL A3)

Pil seviyesi, yanındaki düğmeye basılarak pil göstergesi ışığından öğrenilebilir ışıklar.

2.AKÜ PAKETİNİ ÇIKARMAK VEYA ALETE TAKMAK İÇİN (BKZ. ŞEK. B1, B2)

Önce akü paketi açma düğmesine sıkıca basınız ve ardından akü paketini aletinizden kaydırarak çıkarınız. Tam şarjlı akü paketini, yerine oturana kadar yeterli kuvvetle aletin üzerine kaydırınız.

3. ALET TUTUCUSUNA SOKET TAKMA VEYA ÇIKARMA (ÜRÜNLE BİRLİKTE VERİLMEZ) (BKZ. ŞEKİL C)

Soketi takmak için soketi alet tutucusuna yerleştirin. Soketi çıkarmak için, soketi alet tutucusundan dışarı çekin.



UYARI: Aleti kullanmadan önce alet tutucularını ve soketi dikkatlice inceleyin.

Eksik veya hasarlı parçalar değiştirilmelidir. Aksesuarları değiştirmeden önce anahtarın kapalı olduğundan emin olun veya pil takımını çıkarın.

OPERASYON

1. ANAHTAR KILIDI (BKZ. ŞEKİL D1)

Açma/kapama düğmesi KAPALI konumda kilitlenebilir. Bu, kullanılmadığı zamanlarda kazara çalıştırma olasılığını azaltmaya yardımcı olur.

AKÜLÜ DARBELİ SOMUN SIKMA ANAHTARI

Kilitlemek için açma/kapama düğmesi, dönüş kontrolünü Merkez pozisyona.

2. İLERİ/GERİ DÖNÜŞ KONTROLÜ (BKZ. ŞEKİL D2-D3)

İleri dönüş için, (ayna sizden uzağa dönükken) dönüş kontrolünü sola doğru hareket ettirin. Geri dönüş için, (ayna sizden uzağa bakarken) dönüş kontrolünü sağa doğru hareket ettirin.



UYARI: Ayna dönerken asla dönüş yönünü değiştirmeyin, durana kadar bekleyin!

3. AÇMA/KAPAMA DÜĞMESİNİN ÇALIŞTIRILMASI (BKZ. ŞEKİL E)

Aletinizi çalıştırmak için basın ve durdurmak için bırakın. Açma/kapama anahtarı, anahtarı hızla bıraktığınızda aynanızı hemen durduran bir fren işleviyle donatılmıştır. Aynı zamanda, artan tetik basıncıyla daha yüksek hız ve tork sağlayan değişken bir hız anahtarıdır. Hız, anahtar tetiğine basma miktarı ile kontrol edilir.

NOT: Sadece döndürme kontrolünü sol/sağ tarafa iterek açma/kapama düğmesine basılabilir.



UYARI: Düşük hızda uzun süre çalıştırmayın çünkü aşırı ısı dahili olarak üretilmektedir.

4. LED IŞIK GÖSTERGESİ

Işığı açmak için açma/kapama düğmesine basmanız yeterlidir.

Açma/kapama düğmesini bıraktığınızda, ışık birkaç saniye sonra kapanacaktır. LED aydınlatma karanlık veya kapalı alanlarda görünürlüğü artırır.

5. KEMER KLİPSİ NASIL KULLANILIR (BKZ. ŞEKİL F1, F2)

Kemer klipsini vida ile aletin üzerine vidalayın. Kemer klipsi kemerinize veya cebinize vb. takılabilir.

6. AŞIRI YÜK KORUMASI

Aşırı yüklendiğinde motor durur. Makine üzerindeki yükü derhal kaldırın ve en yüksek yüksüz hızda yaklaşık 30 saniye soğumaya bırakın.

7. SICAKLIĞA BAĞLI AŞIRI YÜK KORUMASI

Alet amacına uygun kullanıldığında aşırı yüklenmeye maruz kalmaz. Yük çok fazla olduğunda veya izin verilen 75 °C akü sıcaklığı

aşıldığında elektronik kontrol, sıcaklık tekrar optimum sıcaklık aralığına gelene kadar aleti kapatır.

BAKIM

Herhangi bir ayarlama, servis veya bakım yapmadan önce aküyü çıkarın.

Aletiniz ek yağlama veya bakım gerektirmez. Elektrikli el aletinizde kullanıcı tarafından bakım yapılabilecek hiçbir parça yoktur. Elektrikli el aletinizi temizlemek için asla su veya kimyasal temizleyiciler kullanmayın. Kuru bir bezle silerek temizleyin. Elektrikli el aletinizi daima kuru bir yerde saklayın. Motor havalandırma deliklerini temizleyin. Tüm çalışma kontrollerini tozdan uzak tutun. Ara sıra havalandırma deliklerinden kıvılcım çıktığını görebilirsiniz. Bu normaldir ve elektrikli el aletinize zarar vermez.

Akülü aletler için

Alet ve akünün kullanımı ve depolanması için ortam sıcaklığı aralığı 0°C-45°C'dir.

Şarj sırasında şarj sistemi için önerilen ortam sıcaklığı aralığı 0°C- 40°C'dir.

SORUN GIDERME

1. İleri/geri dönüşün işlevi nedir?

İleri/geri dönme fonksiyonu motorun yönünü değiştirmenizi sağlar.

İleri mod sabitleme için tasarlanmıştır. Ters mod gevşetme için tasarlanmıştır.

2. Düğmeye bastığınızda alet neden açılmıyor?

İleri/geri dönüş kontrolü kilit fonksiyonunda konumlandırılmıştır. İleri/geri dönüş kumandasını istenen dönüş konumuna getirerek kilidini açınız. Açma/kapama şalterine basın ve alet dönmeye başlayacaktır.

ÇEVRE KORUMA



Atık elektrikli ürünler evsel atıklarla

birlikte atılmamalıdır. Lütfen tesislerin

bulunduğu yerlerde geri dönüşüm yapın.

Geri dönüşüm tavsiyeleri için yerel yetkililere veya perakendecinize danışın.

EC Uygunluk Beyanı



Biz :

HYUNDAI Corporation Holdings Europe
Am Kronberger Hang 2A, 65824, Schwalbach am Taunus
Germany

Aşağıda ayrıntıları verilen ürünün :

Akülü Darbeli Somun Sıkma Makinesi

MODEL: IW20S-250 & IW20S-250T2T

İŞLEV: Vidaları, somunları sıkma ve gevşetme

Konsey Direktiflerinin gerekliliklerini karşılar :

2006/42/EC, 2011/65/EU & (EU)2015/863,

2014/30/EU, (EU)2023/1542, 2014/35/EU, (EU)2023/1542, 2014/35/EU

Standartlara Uygunluk :

EN 62841-1, EN 62841-2-2, EN IEC 55014-1,

EN IEC 55014-2, EN IEC 63000, EN 62133-2,

EN 60335-1, EN 60335-2-29, EN 62233,

EN IEC 55014-1, EN IEC 55014-2, EN IEC 61000-3-2, EN 61000-3-3

Teknik dosyayı düzenlemeye yetkili kişi,

İsim: Hyundae Kim

Adres : HYUNDAI Corporation Holdings Europe

65824 Schwalbach am Taunus, Germany

Genel Müdür

Jaiwon Hur

Proje Müdürü

Sungwoo Hong

Tarih : 2024.09.25

HYUNDAI
POWER PRODUCTS



HYUNDAI Corporation Holdings

25, Yulgok-ro 2-gil, Jongno-gu, Seoul 03143, Korea

Post Code: 03143

+82 2 390 1114

www.hyundaicorpholdings.com