

**HYUNDAI**  
POWER PRODUCTS

## **CORDLESS CIRCULAR SAW**

**AKKU-KREISSÄGE**

**SCIE CIRCULAIRE SANS FIL**

**SEGA CIRCOLARE A BATTERIA**

**SIERRA CIRCULAR A BATERÍA**

**ACCU CIRKELZAAG**

**FERÁSTRÁU CIRCULAR FĂRĂ FIR**

**AKKUMULÁTOROS KÉZI KÖRFÚRÉSZ**

**MÁY CỬA ĐĨA DÙNG PIN**

**БЕЗЖИЧНА КРУЖНА ПИЛА**

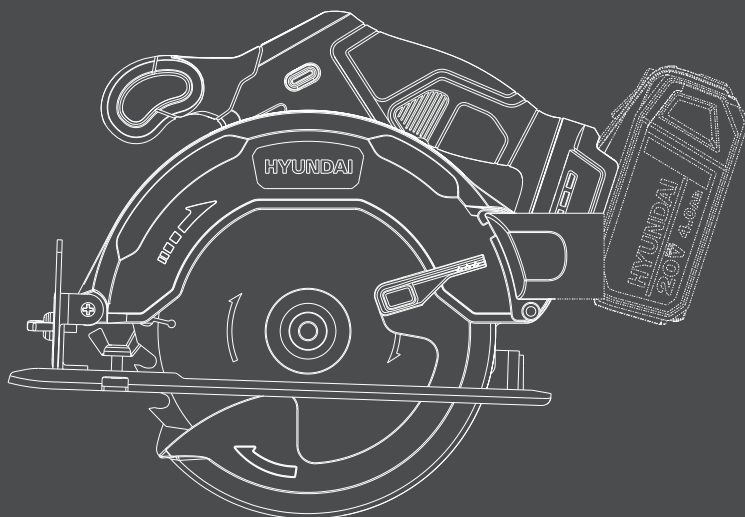
**AKÜLÜ DAIRE TESTERE**

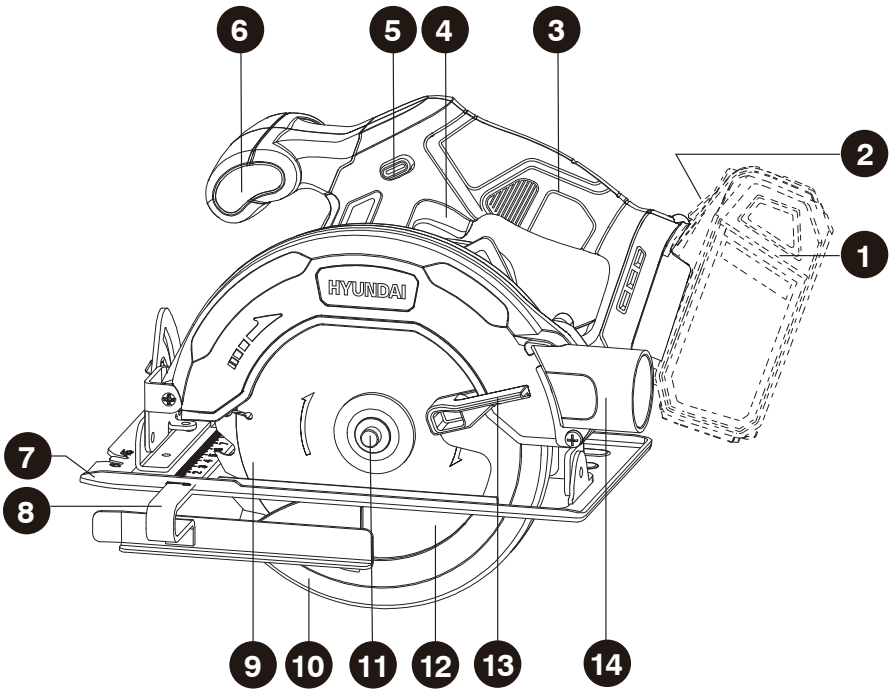
### **CS20S-165**

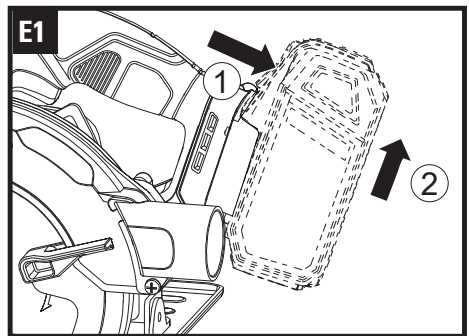
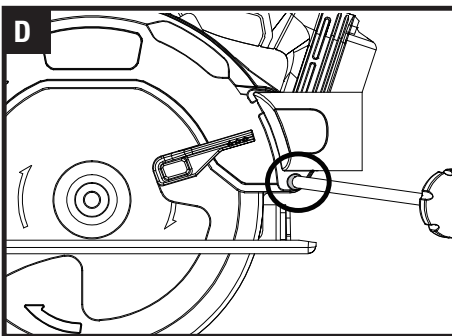
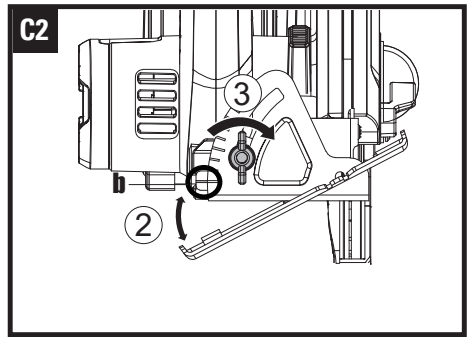
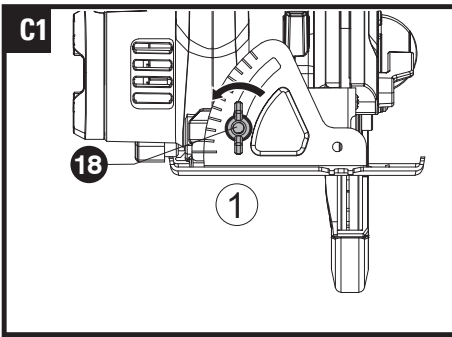
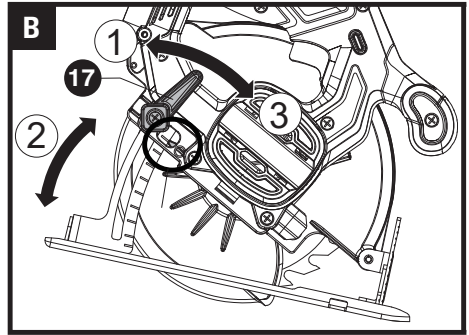
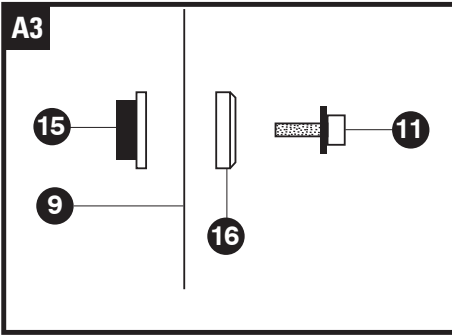
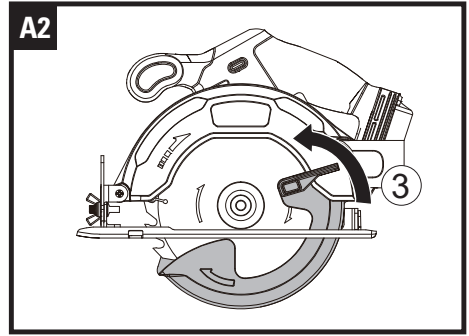
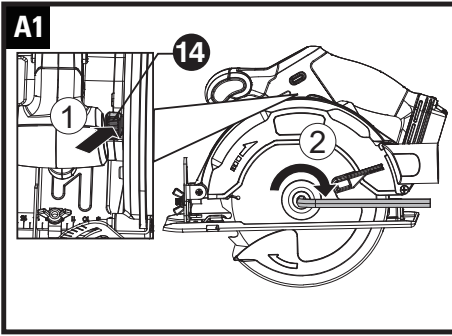
**User Manual/Benutzerhandbuch/Manuel de l'utilisateur/Manuale dell'utente  
Manual del Usuario/Gebruikershandleiding/Manualul utilizatorului/Felhasználói kézikönyv  
Hướng dẫn sử dụng/Упатство за користење/Kullanım kılavuzu**

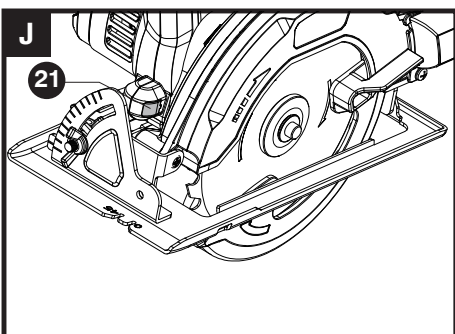
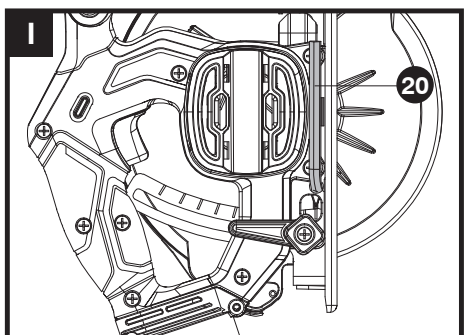
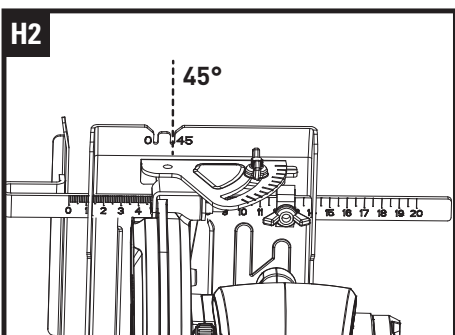
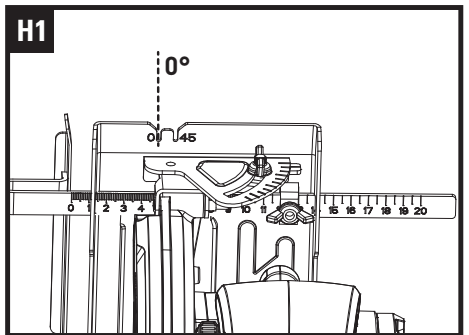
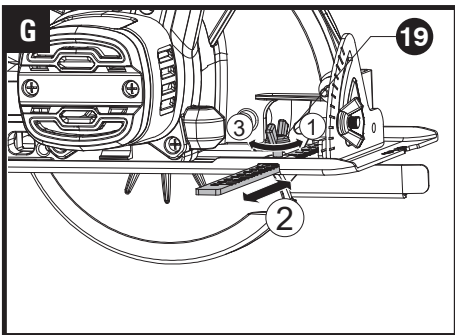
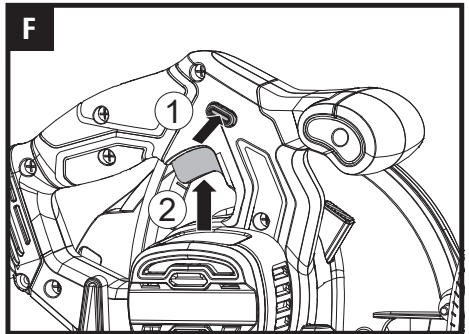
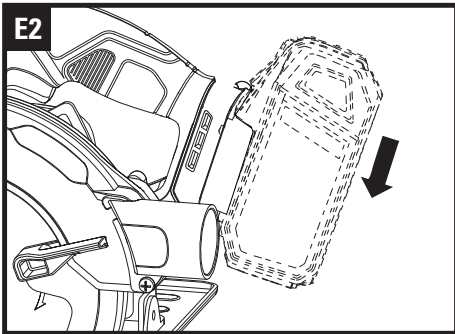


GENUINE PRODUCT OF  
HYUNDAI CORPORATION









# ORIGINAL INSTRUCTIONS

## PRODUCT SAFETY

### GENERAL POWER TOOL

### SAFETY WARNINGS



**WARNING!** Read all safety warnings, instructions, illustrations and specifications provided with this power tool. *Failure to follow all instructions listed below may result in electric shock, fire and/or serious injury.*

Save all warnings and instructions for future reference.

The term "power tool" in the warnings refers to your mains-operated (corded) power tool or battery-operated (cordless) power tool.

#### 1. WORK AREA SAFETY

- a) Keep work area clean and well lit. *Cluttered or dark areas invite accidents.*
- b) Do not operate power tools in explosive atmospheres, such as in the presence of flammable liquids, gases or dust. *Power tools create sparks which may ignite the dust or fumes.*
- c) Keep children and bystanders away while operating a power tool. *Distractions can cause you to lose control.*

#### 2. ELECTRICAL SAFETY

- a) Power tool plugs must match the outlet. Never modify the plug in any way. Do not use any adapter plugs with earthed (grounded) power tools. *Unmodified plugs and matching outlets will reduce risk of electric shock.*
- b) Avoid body contact with earthed or grounded surfaces, such as pipes, radiators, ranges and refrigerators. *There is an increased risk of electric shock if your body is earthed or grounded.*
- c) Do not expose power tools to rain or wet conditions. *Water entering a power tool will increase the risk of electric shock.*
- d) Do not abuse the cord. Never use the cord for carrying, pulling or unplugging the power tool. Keep cord away from heat, oil, sharp edges or moving parts. *Damaged or entangled cords increase the risk of electric shock.*
- e) When operating a power tool outdoors, use an extension cord suitable for outdoor use.

*Use of a cord suitable for outdoor use reduces the risk of electric shock.*

- f) If operating a power tool in a damp location is unavoidable, use a residual current device (RCD) protected supply. *Use of an RCD reduces the risk of electric shock.*

#### 3. PERSONAL SAFETY

- a) Stay alert, watch what you are doing and use common sense when operating a power tool. Do not use a power tool while you are tired or under the influence of drugs, alcohol or medication. *A moment of inattention while operating power tools may result in serious personal injury.*
- b) Use personal protective equipment. Always wear eye protection. *Protective equipment such as dust mask, non-skid safety shoes, hard hat, or hearing protection used for appropriate conditions will reduce personal injuries.*
- c) Prevent unintentional starting. Ensure the switch is in the off-position before connecting to power source and/or battery pack, picking up or carrying the tool. *Carrying power tools with your finger on the switch or energising power tools that have the switch on invites accidents.*
- d) Remove any adjusting key or wrench before turning the power tool on. *A wrench or a key left attached to a rotating part of the power tool may result in personal injury.*
- e) Do not overreach. Keep proper footing and balance at all times. *This enables better control of the power tool in unexpected situations.*
- f) Dress properly. Do not wear loose clothing or jewellery. Keep your hair, clothing and gloves away from moving parts. *Loose clothes, jewellery or long hair can be caught in moving parts.*
- g) If devices are provided for the connection of dust extraction and collection facilities, ensure these are connected and properly used. *Use of dust collection can reduce dust-related hazards.*
- h) Do not let familiarity gained from frequent use of tools allow you to become complacent and ignore tool safety principles. *A careless action can cause severe injury within a fraction of a second.*

## CORDLESS CIRCULAR SAW

### 4. POWER TOOL USE AND CARE

- a)** Do not force the power tool. Use the correct power tool for your application. *The correct power tool will do the job better and safer at the rate for which it was designed.*
- b)** Do not use the power tool if the switch does not turn it on and off. *Any power tool that cannot be controlled with the switch is dangerous and must be repaired.*
- c)** Disconnect the plug from the power source and/or the battery pack from the power tool before making any adjustments, changing accessories, or storing power tools. *Such preventive safety measures reduce the risk of starting the power tool accidentally.*
- d)** Store idle power tools out of the reach of children and do not allow persons unfamiliar with the power tool or these instructions to operate the power tool. *Power tools are dangerous in the hands of untrained users.*
- e)** Maintain power tools. Check for misalignment or binding of moving parts, breakage of parts and any other condition that may affect the power tool's operation. If damaged, have the power tool repaired before use. *Many accidents are caused by poorly maintained power tools.*
- f)** Keep cutting tools sharp and clean. *Properly maintained cutting tools with sharp cutting edges are less likely to bind and are easier to control.*
- g)** Use the power tool, accessories and tool bits etc. in accordance with these instructions, taking into account the working conditions and the work to be performed. *Use of the power tool for operations different from those intended could result in a hazardous situation.*
- h)** Keep handles and grasping surfaces dry, clean and free from oil and grease. *Slippery handles and grasping surfaces do not allow for safe handling and control of the tool in unexpected situations.*

### 5. BATTERY TOOL USE AND CARE

- a)** Recharge only with the charger specified by the manufacturer. *A charger that is suitable for one type of battery pack may create a risk of fire when used with another battery pack.*
- b)** Use power tools only with specifically designated battery packs. *Use of any other*


*battery packs may create a risk of injury and fire.*

- c)** When battery pack is not in use, keep it away from other metal objects, like paper clips, coins, keys, nails, screws or other small metal objects, that can make a connection from one terminal to another. *Shorting the battery terminals together may cause burns or a fire.*
- d)** Under abusive conditions, liquid may be ejected from the battery; avoid contact. If contact accidentally occurs, flush with water. If liquid contacts eyes, additionally seek medical help. *Liquid ejected from the battery may cause irritation or burns.*
- e)** Do not use a battery pack or tool that is damaged or modified. *Damaged or modified batteries may exhibit unpredictable behaviour resulting in fire, explosion or risk of injury.*
- f)** Do not expose a battery pack or tool to fire or excessive temperature. *Exposure to fire or temperature above 130°C may cause explosion.*
- g)** Follow all charging instructions and do not charge the battery pack or tool outside the temperature range specified in the instructions. *Charging improperly or at temperatures outside the specified range may damage the battery and increase the risk of fire.*

### 6. SERVICE

- a)** Have your power tool serviced by a qualified repair person using only identical replacement parts. *This will ensure that the safety of the power tool is maintained.*
- b)** Never service damaged battery packs. *Service of battery packs should only be performed by the manufacturer or authorized service providers.*

## SAFETY INSTRUCTIONS FOR ALL SAWS CUTTING PROCEDURES

- a)**  **DANGER:** Keep hands away from cutting area and the blade. Keep your second hand on auxiliary handle, or motor housing. *If both hands are holding the saw, they cannot be cut by the blade.*
- b)** Do not reach underneath the workpiece. *The guard cannot protect you from the blade below the workpiece.*

- c) **Adjust the cutting depth to the thickness of the workpiece.** *Less than a full tooth of the blade teeth should be visible below the workpiece.*
  - d) **Never hold the workpiece in your hands or across your leg while cutting.** *Secure the workpiece to a stable platform. It is important to support the work properly to minimise body exposure, blade binding, or loss of control.*
  - e) **Hold the power tool by insulated gripping surfaces, when performing an operation where the cutting tool may contact hidden wiring.** *Contact with a "live" wire will also make exposed metal parts of the power tool "live" and could give the operator an electric shock.*
  - f) **When ripping, always use a rip fence or straight edge guide.** *This improves the accuracy of cut and reduces the chance of blade binding.*
  - g) **Always use blades with correct size and shape (diamond versus round) of arbour holes.** *Blades that do not match the mounting hardware of the saw will run off-centre, causing loss of control.*
  - h) **Never use damaged or incorrect blade washers or bolt.** *The blade washers and bolt were specially designed for your saw, for optimum performance and safety of operation.*
- incorrect operating procedures or conditions and can be avoided by taking proper precautions as given below.
- a) **Maintain a firm grip with both hands on the saw and position your arms to resist kickback forces.** *Position your body to either side of the blade, but not in line with the blade. Kickback could cause the saw to jump backwards, but kickback forces can be controlled by the operator, if proper precautions are taken.*
  - b) **When blade is binding, or when interrupting a cut for any reason, release the trigger and hold the saw motionless in the material until the blade comes to a complete stop.** *Never attempt to remove the saw from the work or pull the saw backward while the blade is in motion or kickback may occur. Investigate and take corrective actions to eliminate the cause of blade binding.*
  - c) **When restarting a saw in the workpiece, centre the saw blade in the kerf so that the saw teeth are not engaged into the material.** *If a saw blade binds, it may walk up or kickback from the workpiece as the saw is restarted.*
  - d) **Support large panels to minimise the risk of blade pinching and kickback.** *Large panels tend to sag under their own weight. Supports must be placed under the panel on both sides, near the line of cut and near the edge of the panel.*
  - e) **Do not use dull or damaged blades.** *Unsharpened or improperly set blades produce narrow kerf causing excessive friction, blade binding and kickback.*
  - f) **Blade depth and bevel adjusting locking levers must be tight and secure before making the cut.** *If blade adjustment shifts while cutting, it may cause binding and kickback.*
  - g) **Use extra caution when sawing into existing walls or other blind areas.** *The protruding blade may cut objects that can cause kickback.*

## FURTHER SAFETY INSTRUCTIONS FOR ALL SAWS

### KICKBACK CAUSES AND RELATED WARNINGS

- Kickback is a sudden reaction to a pinched, jammed or misaligned saw blade, causing an uncontrolled saw to lift up and out of the workpiece toward the operator;
- When the blade is pinched or jammed tightly by the kerf closing down, the blade stalls and the motor reaction drives the unit rapidly back toward the operator;
- If the blade becomes twisted or misaligned in the cut, the teeth at the back edge of the blade can dig into the top surface of the wood causing the blade to climb out of the kerf and jump back toward the operator.

Kickback is the result of saw misuse and/or



## CORDLESS CIRCULAR SAW

EN

### SAFETY INSTRUCTIONS FOR SAWS (CIRCULAR SAW WITH INNER PENDULUM GUARD) LOWER GUARD FUNCTION

- a) Check the lower guard for proper closing before each use. Do not operate the saw if the lower guard does not move freely and close instantly. Never clamp or tie the lower guard into the open position. *If the saw is accidentally dropped, the lower guard may be bent. Raise the lower guard with the retracting handle and make sure it moves freely and does not touch the blade or any other part, in all angles and depths of cut.*
- b) Check the operation of the lower guard spring. If the guard and the spring are not operating properly, they must be serviced before use. *Lower guard may operate sluggishly due to damaged parts, gummy deposits, or a build-up of debris.*
- c) The lower guard may be retracted manually only for special cuts such as “plunge cuts” and “compound cuts. Raise the lower guard by retracting handle and as soon as the blade enters the material, the lower guard must be released. *For all other sawing, the lower guard should operate automatically.*
- d) Always observe that the lower guard is covering the blade before placing the saw down on bench or floor. *An unprotected, coasting blade will cause the saw to walk backwards, cutting whatever is in its path. Be aware of the time it takes for the blade to stop after switch is released.*

the markings.

4. Identify the correct saw blade to be used for the material to be cut.
5. Use only saw blades that are marked with a speed equal or higher than the speed marked on the tool.

### SYMBOLS



To reduce the risk of injury, user must read instruction manual



Warning



Wear ear protection



Wear eye protection



Wear dust mask



Waste electrical products must not be disposed of with household waste. Please recycle where facilities exist. Check with your local authorities or retailer for recycling advice.



RCM marking.

ABN: Australian Business Number.

By this number, business information such as entity type, status, business location etc. can be found at website <http://abr.business.gov.au>.

ABN of Positac Australia Pty Limited is 14 101 682 357.

### ADDITIONAL SAFETY RULES FOR YOUR CIRCULAR SAW

1. Use only saw blades recommended by the manufacturer, which conform to EN 847-1, if intended for wood and analogous materials.
2. Do not use any abrasive wheels.
3. Use only blade diameter(s) in accordance with



## COMPONENT LIST

1. BATTERY PACK*
2. BATTERY PACK RELEASE BUTTON*
3. HANDLE
4. ON/OFF SWITCH
5. LOCK-OFF BUTTON
6. FRONT HANDLE
7. BASE PLATE
8. PARALLEL GUIDE
9. SAW BLADE
10. LOWER BLADE GUARD
11. BLADE BOLT
12. LOWER GUARD RELEASE LEVER
13. VACUUM ADAPTER
14. SPINDLE LOCK BUTTON (SEE FIG. A1)
15. INNER FLANGE (SEE FIG. A3)
16. OUTER FLANGE (SEE FIG. A3)
17. CUTTING DEPTH LOCK LEVER (SEE FIG. B)
18. BASE PLATE BEVEL LOCK LEVER (SEE FIG. C1)
19. PARALLEL GUIDE LOCKING SCREW (SEE FIG. G)
20. HEX KEY (SEE FIG. I)
21. LED LIGHT (SEE FIG. J)

\* Not all the accessories illustrated or described are included in standard delivery.

## TECHNICAL DATA

Type CS20S-165 (20S-165-designation of machinery, representative of circular saw)





Voltage		18V $\overline{\text{---}}$ (20V Max.)
No load speed		4500/min
Blade size		165mm
Bore size		20mm
Bevel capacity		0-50°
Cutting capacity	Cutting depth at 90°	55mm
	Cutting depth at 45°	38mm
Machine weight (without battery)		2.44kg

## CORDLESS CIRCULAR SAW

### SUITABLE BATTERY PACKS

Item number	BI20-2	BI20-4
Battery capacity	2.0Ah	4.0Ah
	Not included	Recommended (Not included)

### SUITABLE CHARGERS

Item number	C20-2	C20-4
Charger input	100-240V~50/60Hz, 55W	100-240V~50/60Hz, 95W
Charger output	20V  2.0A	20V  4.0A
Charging time (approx.)	1hr (2.0 Ah) 2hrs (4.0 Ah)	30mins (2.0 Ah) 60mins (4.0 Ah)
Charger protection class	 /II	 /II
	Not included	Not included

### NOISE INFORMATION

A weighted sound pressure  $L_{pA}$ : 90.1 dB (A)  $K_{pA}$ = 3 dB(A)


A weighted sound power  $L_{wA}$ : 98.1 dB (A)  $K_{wA}$ = 3 dB(A)

Wear ear protection.

### VIBRATION INFORMATION

Vibration total values (triax vector sum) determined according to EN 62841:	
Cutting wood	Vibration emission value: $a_{h,w} = 2.778m/s^2$
	Uncertainty $K = 1.5m/s^2$

The declared vibration total value and the declared noise emission value have been measured in accordance with a standard test method and may be used for comparing one tool with another. The declared vibration total value and the declared noise emission value may also be used in a preliminary assessment of exposure.

 **WARNING:** The vibration and noise emissions during actual use of the power tool can differ from the declared value depending on the ways in which the tool is used especially what kind of workpiece is processed dependant on the following examples and other variations on how the tool is used:

How the tool is used and the materials being cut or drilled.


The tool being in good condition and well maintained.

The use of the correct accessory for the tool and ensuring it is sharp and in good condition.

The tightness of the grip on the handles and if any anti vibration and noise accessories are used.

And the tool is being used as intended by its design and these instructions.

This tool may cause hand-arm vibration syndrome if its use is not adequately managed.

 **WARNING:** To be accurate, an estimation of exposure level in the actual conditions of use should also take account of all parts of the operating cycle such as the times when the tool is switched off and when it is running idle but not actually doing the job. This may significantly reduce

the exposure level over the total working period.

Helping to minimise your vibration and noise exposure risk.

Always use sharp chisels, drills and blades.

Maintain this tool in accordance with these instructions and keep well lubricated (where appropriate).

If the tool is to be used regularly then invest in anti vibration and noise accessories.

Plan your work schedule to spread any high vibration tool use across a number of days.

## ACCESSORIES

Saw blade	1
Vacuum adaptor (32mm)	1
Dust tube (35mm)	1
Hex key	1
Parallel guide	1

We recommend that you purchase your accessories from the same store that sold you the tool. Refer to the accessory packaging for further details. Store personnel can assist you and offer advice.

## CORDLESS CIRCULAR SAW

### OPERATING INSTRUCTIONS



**NOTE:** Before using the tool, read the instruction book carefully.

#### INTENDED USE

The machine is intended for use around the home and domestic applications. It is particularly useful for trimming plywood and similar sheet material. It is NOT suitable for metal cutting blades or discs.

#### BEFORE PUTTING INTO OPERATION

##### 1. FITTING/CHANGING A SAW BLADE

**Danger of injury when touching the saw blade.**

Only use saw blades that correspond with the technical specification data for this tool.

Do not under any circumstances use grinding discs as the cutting tool.

For changing the saw blade, it is best to place the machine on with the motor end cap on a flat surface with the blade and blade guard area facing upwards.

##### - Removing the saw blade:

Press the spindle lock button and keep it depressed.

Loosen the blade bolt in a clockwise direction with the hex key. Remove the outer flange.

Using the lower guard lever, tilt back the lower blade guard and hold it firmly in this position. Remove the saw blade. (See Fig.A1, A2)

##### - Mounting the saw blade ( See Fig. A3):

Using the lower guard lever, tilt back the lower blade guard and hold it firmly in this position.

Place the saw blade onto the inner flange.

Ensuring that the direction of the cutting teeth on the saw blade match the direction of the blade rotation indicator. Place the the outer flange over the blade, then insert the blade bolt. Press the spindle lock button to lock the spindle, then use the hex key to tighten the blade bolt in an counterclockwise direction with 1/4 turn more than finger tight.

**NOTE:** Take care that the mounting positions of the inner flange and outer flange are correct.



**WARNING:** Blade teeth are very sharp.

For best cutting results ensure you use a saw blade suited to the material and cut quality you need.

##### 2. DEPTH OF CUT ADJUSTMENT (SEE FIG. B)

Turn the cutting depth lock knob in an counterclockwise direction to loosen and raise the saw body away from the base plate.

Set the required cutting depth by aligning the triangle symbol with the cutting depth scale marked on the back of the fixed guard. Then turn the cutting depth lock knob in a clockwise direction to lock saw body and base plate.

Always add 3mm to your depth of cut so that the blade can cut through the material.

**NOTE:** It is best to carry out a trial cut before cutting your workpiece.

##### 3. BASE PLATE ANGLE ADJUSTMENT (SEE FIG. C1, C2)

Turn the base plate bevel lock in an counterclockwise direction to loosen the angle scale. Tilt the base plate away from the machine. Set the required bevel angle by aligning the triangle symbol with the base plate angle scale. Tighten the bevel lock by turning it in a clockwise direction. Do not use the the cutting depth scale when making bevel cuts due to possible inaccuracy.

##### 4. DUST EXTRACTION OUTLET (SEE FIG. D)

Fasten the vacuum adapter to the fixed guard with the screw. Directly connect a suitable vacuum hose to the adapter.

**NOTE:** The vacuum adapter must not be mounted when no external dust extraction is connected.

Otherwise there is danger of the extraction system becoming clogged.

Clean the vacuum adapter regularly to ensure optimum dust extraction. The vacuum cleaner must be suitable for the material to be worked.

##### 5. REMOVE OR INSERT BATTERY PACK (NOT SUPPLIED) (SEE FIG. E1, E2)

Press the battery pack release button and remove the battery pack from the tool. After recharge, slide the battery pack into tool's

battery port. A simple push and slight pressure will be sufficient.

## OPERATION



**WARNING!** Before undertaking any maintenance or adjustment, ensure the saw is switched off and battery pack is removed. Wear protective gloves when mounting the saw blade.

### 1. HAND GRIP POSITION

Always hold your saw firmly with both hands when operating.

### 2. SAFETY ON/OFF SWITCH (SEE FIG. F)

When the lock-off button is in the neutral position, the switch is locked. Press the lock-off button left or right, then press the on/off switch, the machine starts. To turn off the machine, release the switch, the lock button is in the neutral position, and the machine stops. Your saw has an automatic electric brake which is designed to stop the blade from coasting in about three seconds, after you release the trigger switch.

It is useful when making certain cuts in wood where a coasting blade would result in a wide, imprecise cut.



**WARNING:** Wait until the machine comes to a complete stop before setting down.

### 3. PARALLEL GUIDE ADJUSTMENT (SEE FIG. G)

It is used for making cuts parallel to a workpiece edge at a chosen distance. First turn the parallel guide locking screw counterclockwise to loosen, then slide the parallel guide arm through the gap to achieve the desired cutting distance, then turn the locking screw clockwise to firmly clamp the parallel guide.

**NOTE:** It is best to carry out a trial cut.

### 4. CUTTING GUIDE (SEE FIG. H1, H2)

There is a cutting mark notch on the front of the base plate for use with a parallel guide. For straight cuts, use the 0° cutting mark to align with your parallel guide scale. For a 45° bevel cut, use the 45° cutting mark to align with

your parallel guide scale. Securely clamp the parallel guide. Always make a trial cut to check the setting.

### 5. BEVEL CUTS

Set the required bevel angle between 0° and 45°. Do not use the depth of cut scale when making bevel cuts due to possible inaccuracy.

### 6. HEX KEY STORAGE (SEE FIG. I)

The hex key provided can be placed on the base plate under the motor housing and beside the parallel guide locking knob.

### 7. LED LIGHT (SEE FIG. J)

This tool has a powered LED light that illuminates when the saw is inserted into the battery pack. It indicates that your tool is activated and increases visibility - very useful for dark or enclosed areas.

## WORKING HINTS FOR YOUR CIRCULAR SAW

If your power tool becomes too hot, run your circular saw no load for 2-3 minutes to cool the motor. Avoid prolonged usage at very low speeds.

Always use a blade suited to the material and material thickness to be cut. The quality of cut will improve as the number of blade teeth increase.

Always ensure the work-piece is firmly held or clamped to prevent movement. Support large panels close to the cut line. Any movement of the material may affect the quality of the cut. The blade cuts on the upward stroke and may chip the uppermost surface or edges of your work piece.

When cutting, ensure your uppermost surface is a nonvisible surface when your work is finished. Feeding too fast significantly reduces the performance of the machine and shortens the life of the saw blade. Always face the good side of the work-piece down, to ensure minimum splintering.

Only use sharp saw blades of the correct type.

## CORDLESS CIRCULAR SAW

EN

### MAINTENANCE

Remove the battery before carrying out any adjustment, servicing or maintenance.

Your tool requires no additional lubrication or maintenance.

There are no user serviceable parts in your power tool. Never use water or chemical cleaners to clean your power tool. Wipe clean with a dry cloth. Always store your power tool in a dry place. Keep the motor ventilation slots clean. Keep all working controls free of dust. Occasionally you may see sparks through the ventilation slots. This is normal and will not damage your power tool.

### ENVIRONMENTAL PROTECTION



Waste electrical products must not be disposed of with household waste.  
Please recycle where facilities exist.  
Check with your local authorities or retailer for recycling advice.

# EC Declaration of Conformity

EN



We: **HYUNDAI Corporation Holdings Europe**  
Am Kronberger Hang 2A, 65824, Schwalbach am Taunus  
Germany

Declare that the product detailed below :  
**Cordless Circular Saw**

**MODEL: CS20S-165**  
**FUNCTION : Cutting various materials with a rotating toothed blade**

Satisfies the requirements of the Council Directives :  
**2006/42/EC, 2011/65/EU & (EU)2015/863, 2014/30/EU**

Standards Conform to:  
**EN 62841-1, EN IEC 62841-2-5,**  
**EN IEC 55014-1, EN IEC 55014-2,**  
**EN IEC 63000**

The person authorized to compile the technical file,  
**Name : Hyundae Kim**  
**Address : HYUNDAI Corporation Holdings Europe**  
**65824 Schwalbach am Taunus, Germany**

General Manager

Jaiwon Hur

Project Manager

Sungwoo Hong

Date : 2024.09.25



## AKKU-KREISSÄGE

# ORIGINALBETRIEBSANLEITUNG PRODUKTSICHERHEIT ALLGEMEINE SICHERHEITSHINWEISE FÜR ELEKTROWERKZEUGE



**WARNUNG!** Machen Sie sich mit allen Sicherheitswarnungen, Anweisungen, Abbildungen und Spezifikationen vertraut, die mit diesem Elektrowerkzeug geliefert werden. Die Nichtbeachtung der unten aufgeführten Anweisungen kann in elektrischen Schlägen, Feuer und/oder schweren Verletzungen resultieren.

Bewahren Sie alle Sicherheitshinweise und Anweisungen für die Zukunft auf.

Der in den Sicherheitshinweisen verwendete Begriff „Elektrowerkzeug“ bezieht sich auf akkubetriebene Elektrowerkzeuge (ohne Netzkabel).

### 1. ARBEITSPLATZSICHERHEIT

- a) Halten Sie Ihren Arbeitsbereich sauber und gut beleuchtet. Unordnung oder unbeleuchtete Arbeitsbereiche können zu Unfällen führen.
- b) Arbeiten Sie mit dem Elektrowerkzeug nicht in explosionsgefährdeter Umgebung, in der sich brennbare Flüssigkeiten, Gase oder Stäube befinden. Elektrowerkzeuge erzeugen Funken, die den Staub oder die Dämpfe entzünden können.
- c) Halten Sie Kinder und andere Personen während der Benutzung des Elektrowerkzeugs fern. Bei Ablenkung können Sie die Kontrolle über das Gerät verlieren.

### 2. ELEKTRISCHE SICHERHEIT

- a) Der Anschlussstecker des Elektrowerkzeuges muss in die Steckdose passen. Der Stecker darf in keiner Weise verändert werden. Verwenden Sie keine Adapterstecker gemeinsam mit schutzgeerdeten Elektrowerkzeugen. Unveränderte Stecker und passende Steckdosen verringern das Risiko eines elektrischen Schlages.
- b) Vermeiden Sie Körperkontakt mit geerdeten

Oberflächen wie von Rohren, Heizungen, Herden und Kühlschränken. Es besteht ein erhöhtes Risiko durch elektrischen Schlag, wenn Ihr Körper geerdet ist.

- c) Halten Sie Elektrowerkzeuge von Regen oder Nässe fern. Das Eindringen von Wasser in ein Elektrowerkzeug erhöht das Risiko eines elektrischen Schlages.
  - d) Zweckentfremden Sie das Kabel nicht, um das Elektrowerkzeug zu tragen, aufzuhängen oder um den Stecker aus der Steckdose zu ziehen. Halten Sie das Kabel fern von Hitze, Öl, scharfen Kanten oder sich bewegenden Geräteteilen. Beschädigte oder verwickelte Kabel erhöhen das Risiko eines elektrischen Schlages.
  - e) Wenn Sie mit einem Elektrowerkzeug im Freien arbeiten, verwenden Sie nur Verlängerungskabel, die auch für den Außenbereich geeignet sind. Die Anwendung eines für den Außenbereich geeigneten Verlängerungskabels verringert das Risiko eines elektrischen Schlages.
  - f) Wenn der Betrieb des Elektrowerkzeuges in feuchter Umgebung nicht vermeidbar ist, verwenden Sie einen Fehlerstromschutzschalter. Der Einsatz eines Fehlerstromschutzschalters vermindert das Risiko eines elektrischen Schlages.
- ### 3. SICHERHEIT VON PERSONEN
- a) Seien Sie aufmerksam, Achten Sie darauf, was Sie tun, und gehen Sie mit Vernunft an die Arbeit mit einem Elektrowerkzeug. Benutzen Sie kein Elektrowerkzeug, wenn Sie müde sind oder unter dem Einfluss von Drogen, Alkohol oder Medikamenten stehen. Ein Moment der Unachtsamkeit beim Gebrauch des Elektrowerkzeuges kann zu ernsthaften Verletzungen führen.
  - b) Tragen Sie persönliche Schutzausrüstung und immer eine Schutzbrille. Das Tragen persönlicher Schutzausrüstung, wie Staubmaske, rutschfeste Sicherheitsschuhe, Schutzhelm oder Gehörschutz, je nach Art und Einsatz des Elektrowerkzeuges, verringert das Risiko von Verletzungen.
  - c) Vermeiden Sie eine unbeabsichtigte Inbetriebnahme. Vergewissern Sie sich, dass das Elektrowerkzeug ausgeschaltet

ist, bevor Sie es an den Akku anschließen, es aufnehmen oder tragen. *Wenn Sie beim Tragen des Elektrowerkzeuges den Finger am Schalter haben oder das Gerät eingeschaltet an die Stromversorgung anschließen, kann dies zu Unfällen führen.*

- d) Entfernen Sie Einstellwerkzeuge oder Schraubenschlüssel, bevor Sie das Elektrowerkzeug einschalten. *Ein Werkzeug oder Schlüssel, der sich in einem drehenden Geräteteil befindet, kann zu Verletzungen führen.*
- e) Vermeiden Sie eine abnormale Körperhaltung. Sorgen Sie für einen sicheren Stand und halten Sie jederzeit das Gleichgewicht. *Dadurch können Sie das Elektrowerkzeug in unerwarteten Situationen besser kontrollieren.*
- f) Tragen Sie geeignete Kleidung. Tragen Sie keine weite Kleidung oder Schmuck. Halten Sie Haare und Kleidung fern von sich bewegenden Teilen. *Lockere Kleidung, Schmuck oder lange Haare können von sich bewegenden Teilen erfasst werden.*
- g) Wenn Staubabsaug- und -auffangeinrichtungen montiert werden können, vergewissern Sie sich, dass diese angeschlossen sind und richtig verwendet werden. *Verwendung einer Staubabsaugung kann Gefährdungen durch Staub verringern.*
- h) Vermeiden Sie, durch die häufige Nutzung des Werkzeugs in einen Trott zu verfallen und Prinzipien für die Werkzeugsicherheit zu ignorieren. *Eine unachtsame Aktion kann im Bruchteil einer Sekunde zu schweren Verletzungen führen.*

#### 4. VERWENDUNG UND BEHANDLUNG DES ELEKTROWERKZEUGES

- a) Überlasten Sie das Gerät nicht. Verwenden Sie für Ihre Arbeit das dafür bestimmte Elektrowerkzeug. *Mit dem passenden Elektrowerkzeug arbeiten Sie besser und sicherer im angegebenen Leistungsbereich.*
- b) Benutzen Sie kein Elektrowerkzeug, dessen Schalter defekt ist. *Ein Elektrowerkzeug, das sich nicht mehr ein- oder ausschalten lässt, ist gefährlich und muss repariert werden.*
- c) Klemmen Sie den Stecker von der Stromversorgung ab und/oder entfernen Sie den Akku (falls abnehmbar) aus

dem Elektrowerkzeug, bevor Sie Geräteeinstellungen vornehmen, Zubehörteile wechseln oder das Gerät weglegen. *Diese Vorsichtsmaßnahme verhindert den unbeabsichtigten Start des Elektrowerkzeuges.*

- d) Bewahren Sie unbenutzte Elektrowerkzeuge außerhalb der Reichweite von Kindern auf. Lassen Sie Personen das Gerät nicht benutzen, die mit diesem nicht vertraut sind oder diese Anweisungen nicht gelesen haben. *Elektrowerkzeuge sind gefährlich, wenn Sie von unerfahrenen Personen benutzt werden.*
- e) Warten Sie die Elektrowerkzeuge und Zubehör. Kontrollieren Sie, ob bewegliche Teile einwandfrei funktionieren und nicht klemmen, ob Teile gebrochen oder so beschädigt sind, dass die Funktion des Elektrowerkzeuges beeinträchtigt ist. Lassen Sie beschädigte Teile vor dem Einsatz des Gerätes reparieren. *Viele Unfälle haben ihre Ursache in schlecht gewarteten Elektrowerkzeugen.*
- f) Halten Sie Schneidwerkzeuge scharf und sauber. *Sorgfältig gepflegte Schneidwerkzeuge mit scharfen Schneidkanten verklemmen sich weniger und sind leichter zu führen.*
- g) Verwenden Sie Elektrowerkzeug, Zubehör, Einsatzwerkzeuge usw. entsprechend diesen Anweisungen. Berücksichtigen Sie dabei die Arbeitsbedingungen und die auszuführende Tätigkeit. *Der Gebrauch von Elektrowerkzeugen für andere als die vorgesehenen Anwendungen kann zu gefährlichen Situationen führen.*
- h) Halten Sie die Griffe trocken, sauber und frei von Öl und Fett. *Rutschige Griffe und Oberflächen unterbinden die sichere Bedienbarkeit und Kontrolle über das Werkzeug in unerwarteten Situationen.*

#### 5. VERWENDUNG UND BEHANDLUNG DES AKKUWERKZEUGS

- a) Laden Sie die Akkus nur in Ladegeräten auf, die vom Hersteller empfohlen werden. *Für ein Ladegerät, das für eine bestimmte Art von Akkus geeignet ist, besteht Brandgefahr, wenn es mit anderen Akkus verwendet wird.*
- b) Verwenden Sie nur die dafür vorgesehenen

## AKKU-KREISSÄGE


Akkus in den Elektrowerkzeugen. Der Gebrauch von anderen Akkus kann zu Verletzungen und Brandgefahr führen.

- c) Halten Sie den nicht benutzten Akku fern von Büroklammern, Münzen, Schlüsseln, Nägeln, Schrauben oder anderen kleinen Metallgegenständen, die eine Überbrückung der Kontakte verursachen könnten. Ein Kurzschluss zwischen den Akkukontakten kann Verbrennungen oder Feuer zur Folge haben.
- d) Bei falscher Anwendung kann Flüssigkeit aus dem Akku austreten. Vermeiden Sie den Kontakt damit. Bei zufälligem Kontakt mit Wasser abspülen. Wenn die Flüssigkeit in die Augen kommt, nehmen Sie zusätzlich ärztliche Hilfe in Anspruch. Austretende Akkuflüssigkeit kann zu Hautreizungen oder Verbrennungen führen.
- e) Verwenden Sie kein Akkupack oder Werkzeug, das beschädigt ist. Beschädigte oder modifizierte Akkus können unvorhersehbare Reaktionen auslösen und zu Bränden, Explosionen oder Verletzungen führen.
- f) Setzen Sie das Akkupack oder Werkzeug keinem Feuer oder übermäßig hohen Temperaturen aus. Die Belastung durch Feuer oder Temperaturen über 130 °C kann zur Explosion führen.
- g) Befolgen Sie alle Ladeanweisungen, und laden Sie das Akkupack oder Werkzeug nicht außerhalb des in den Anweisungen festgelegten Temperaturbereichs auf. Ein unsachgemäßer Ladevorgang oder Temperaturen außerhalb des festgelegten Bereichs können den Akku schädigen und die Brandgefahr erhöhen.

### 6. SERVICE

- a) Lassen Sie Ihr Elektrowerkzeug nur von qualifiziertem Fachpersonal und nur mit Original-Ersatzteilen reparieren. Damit wird sichergestellt, dass die Sicherheit des Gerätes erhalten bleibt.
- b) Führen Sie niemals Wartungsarbeiten an beschädigten Akkus durch. Die Wartung von Akkupacks darf nur vom Hersteller selbst oder autorisierten Dienstleistern durchgeführt werden.

## SICHERHEITSAUFWISUNGEN FÜR ALLE SÄGEN SÄGEVERFAHREN

- a)  **WARNUNG:** Kommen Sie mit Ihren Händen nicht in den Sägebereich und an das Sägeblatt. Halten Sie die andere Hand am Zusatzgriff oder dem Motorgehäuse. Wenn beide Hände die Kreissäge halten, kann das Sägeblatt diese nicht verletzen.
- b) Greifen Sie nicht unter das Werkstück. Die Schutzhaube kann Sie unter dem Werkstück nicht vor dem Sägeblatt schützen.
- c) Passen Sie die Schnitttiefe an die Dicke des Werkstückes an. Es sollte weniger als eine volle Zahnhöhe unter dem Werkstück sichtbar sein.
- d) Halten Sie das zu sägende Werkstück niemals mit der Hand oder über dem Bein fest. Sichern Sie das Werkstück an einer stabilen Unterlage. Es ist wichtig, das Werkstück gut zu befestigen, um die Gefahr von Körperkontakt, Klemmen des Sägeblattes oder Verlust der Kontrolle zu minimieren.
- e) Halten Sie das Gerät nur an den isolierten Griffflächen, wenn Sie Arbeiten ausführen, bei denen das Einsatzwerkzeug verborgene Stromleitungen oder das eigene Netzkabel treffen kann. Der Kontakt mit einer spannungsführenden Leitung kann auch metallene Geräteteile unter Spannung setzen und zu einem elektrischen Schlag führen.
- f) Verwenden Sie beim Längsschneiden immer einen Anschlag oder eine gerade Kantenführung. Dies verbessert die Schnittgenauigkeit und verringert die Möglichkeit, dass das Sägeblatt klemmt.
- g) Verwenden Sie immer Sägeblätter in der richtigen Größe und mit passender Aufnahmebohrung (z. B. sternförmig oder rund). Sägeblätter, die nicht zu den Montageteilen der Säge passen, laufen unrund und führen zum Verlust der Kontrolle.
- h) Verwenden Sie niemals beschädigte oder falsche Sägeblatt-Unterlegscheiben (Flansche) oder -schrauben. Die Sägeblatt-Unterlegscheiben und -schrauben wurden

*speziell für Ihre Säge konstruiert, für optimale Leistung und Betriebssicherheit.*

## URSACHEN UND VERMEIDUNG EINES RÜCKSCHLAGES URSACHEN EINES RÜCKSCHLAGS UND DIESBEZÜGLICHE WARNHINWEISE

- Ein Rückschlag ist die plötzliche Reaktion infolge eines hakenden, klemmenden oder falsch ausgerichteten Sägeblattes, die dazu führt, dass eine unkontrollierte Säge abhebt und sich aus dem Werkstück heraus in Richtung der Bedienperson bewegt;
  - Wenn sich das Sägeblatt in dem sich schließenden Sägespalt verhakt oder verklemmt, blockiert es, und die Motorkraft schlägt das Gerät in Richtung der Bedienperson zurück;
  - Wird das Sägeblatt im Sägeschnitt verdreht oder falsch ausgerichtet, können sich die Zähne der hinteren Sägeblattkante in der Oberfläche des Werkstücks verhaken, wodurch sich das Sägeblatt aus dem Sägespalt herausbewegt und die Säge in Richtung der Bedienperson zurückspringt. Ein Rückschlag ist die Folge eines falschen oder fehlerhaften Gebrauchs der Säge. Er kann durch geeignete Vorsichtsmaßnahmen, wie nachfolgend beschrieben, verhindert werden.
- a) Halten Sie die Säge mit beiden Händen fest und bringen Sie Ihre Arme in eine Stellung, in der Sie den Rückschlagkräften standhalten können. Halten Sie sich immer seitlich des Sägeblattes, nie das Sägeblatt in eine Linie mit Ihrem Körper bringen. *Bei einem Rückschlag kann die Kreissäge rückwärts springen, jedoch kann die Bedienperson die Rückschlagkräfte beherrschen, wenn geeignete Maßnahmen getroffen wurden.*
  - b) Falls das Sägeblatt klemmt oder das Sägen aus einem anderen Grund unterbrochen wird, lassen Sie den Ein-Aus-Schalter los
- und halten Sie die Säge im Werkstoff ruhig, bis das Sägeblatt vollständig still steht. Versuchen Sie niemals, die Säge aus dem Werkstück zu entfernen oder sie rückwärts zu ziehen, solange das Sägeblatt sich bewegt oder sich ein Rückschlag ereignen könnte. *Finden Sie die Ursache für das Klemmen des Sägeblattes und beseitigen Sie diese durch geeignete Maßnahmen.*
- c) Wenn Sie eine Säge, die im Werkstück steckt, wieder starten wollen, zentrieren Sie das Sägeblatt im Sägespalt und überprüfen Sie, ob die Sägezähne nicht im Werkstück verhakt sind. *Klemmt das Sägeblatt, kann es sich aus dem Werkstück herausbewegen oder einen Rückschlag verursachen, wenn die Säge erneut gestartet wird.*
  - d) Stützen Sie große Platten ab, um das Risiko durch ein klemmendes Sägeblatt zu vermindern. *Große Platten können sich durch ihr Eigengewicht durchbiegen. Platten müssen auf beiden Seiten, sowohl in der Nähe des Sägespalt als auch am Rand, abgestützt werden.*
  - e) Verwenden Sie keine stumpfen oder beschädigten Sägeblätter. *Sägeblätter mit stumpfen oder falsch ausgerichteten Zähnen verursachen durch einen zu engen Sägespalt eine erhöhte Reibung, Klemmen des Sägeblattes und Rückschlag.*
  - f) Ziehen Sie vor dem Sägen die Schnitttiefen- und Schnittwinkeleinstellungen fest. *Wenn sich während des Sägens die Einstellungen verändern, kann sich das Sägeblatt verklemmen und ein Rückschlag auftreten.*
  - g) Seien Sie besonders vorsichtig, wenn sich sägen in einen verborgenen Bereich, z. B. in einer bestehenden Wand. *Das eintauchende Sägeblatt kann beim Sägen in verborgene Objekte blockieren und einen Rückschlag verursachen.*

## AKKU-KREISSÄGE

### SICHERHEITSHINWEISE FÜR KREISSÄGEN MIT PENDELSCHUTZHAUBE UNTERE SCHUTZFUNKTION

- a) Prüfen Sie vor jedem Arbeitsbeginn, ob die untere Schutzhaube richtig geschlossen ist. Verwenden Sie die Säge nicht, wenn die untere Schutzhaube nicht freigängig ist. Schalten Sie die Säge sofort aus. Versuchen Sie niemals, die geöffnete untere Schutzhaube festzuklemmen oder hochzubinden. *Die untere Schutzhaube kann beschädigt werden, wenn die Säge herunter fällt. Öffnen Sie die Schutzhaube mit dem Rückziehebel und vergewissern Sie sich, dass sie in allen Richtungen und für alle Schnitttiefen freigängig ist und die Säge oder andere Teile des Werkzeugs nicht berührt.*
- b) Kontrollieren Sie die Funktionstüchtigkeit der Schutzhaubenfeder. Lassen Sie eine schwergängige Schutzhaube oder eine defekte Feder instand setzen, ehe Sie das Werkzeug wieder verwenden. *Die Funktion der unteren Schutzhaube kann durch Beschädigungen oder Verschmutzungen eingeschränkt werden.*
- c) Die untere Schutzhaube darf nur für spezielle Sägearbeiten manuell zurückgezogen werden, z. B. für Einstearbeiten oder für Mehrfachschnitte. Öffnen Sie die untere Schutzhaube mit dem Rückziehebel und lassen Sie sie los, sobald die Säge in das Material eingreift. *Bei allen anderen Sägearbeiten darf die Funktion der unteren Schutzhaube nicht manuell manipuliert werden.*
- d) Das Sägeblatt muss durch die untere Schutzhaube geschützt werden, ehe Sie die Säge auf die Werkbank oder auf den Boden legen. *Eine ungeschützte, noch auslaufende Säge bewegt sich selbstständig rückwärts und schneidet alles, was im Weg liegt. Seien Sie sich immer bewusst, dass die Säge nach dem Ausschalten noch eine Weile weiter läuft.*

### ZUSÄTZLICHE SICHERHEITSHINWEISE FÜR KREISSÄGEN

1. Verwenden Sie ausschließlich vom Hersteller empfohlene Sägeblätter konform mit EN 847-1, wenn Sie Holz und ähnliche Materialien bearbeiten.
2. Benutzen Sie keinerlei Schleifscheiben.
3. Verwenden Sie nur Sägeblätter mit einem Durchmesser entsprechend den Kennzeichnungen.
4. Ermitteln Sie das korrekte Sägeblatt für das jeweils zu schneidende Material.
5. Verwenden Sie nur Sägeblätter, die mit einer Geschwindigkeit gekennzeichnet sind, die der auf dem Werkzeug angegebenen entspricht bzw. darüber liegt.

## SYMBOLE



Zur Reduzierung der Verletzungsgefahr bitte die Bedienungsanleitung durchlesen



Warnung



Tragen Sie einen Gehörschutz



Tragen Sie eine Schutzbrille



Tragen Sie eine Staubmaske



Elektroprodukte dürfen nicht mit dem normalen Haushaltsmüll entsorgt werden, sondern sollten nach Möglichkeit zu einer Recyclingstelle gebracht werden. Ihre zuständigen Behörden oder Ihr Fachhändler geben Ihnen hierzu gerne Auskunft.



## KOMPONENTENLISTE

1. AKKUPACK*
2. ENTRIEGELUNGSKNOPF FÜR AKKUPACK*
3. GRIFF
4. EIN/AUS-SCHALTER
5. SPERRKNOPF
6. VORDERGRIFF
7. GRUNDP LATTE
8. PARALLELFÜHRUNG
9. SÄGEBLATT
10. UNTERE SÄGEBLATT SCHUTZHAUBE
11. SÄGEBLATTBOLZEN
12. ENTRIEGELUNGSHEBEL FÜR UNTERE SCHUTZHAUBE
13. STAUBABSAUGADAPTER
14. SPINDELARRETIERUNGSKNOPF (SIEHE ABB. A1)
15. INNERE FLANSCH (SIEHE ABB. A3)
16. ÄUSSERE FLANSCH (SIEHE ABB. A3)
17. ARRETIERHEBEL FÜR SCHNITTtieFE (SIEHE ABB. B)
18. ARRETIERHEBEL FÜR SCHRÄGStELLUNG DER GRUNDP LATTE (SIEHE ABB. C1)
19. ARRETIERUNGSSCHRAUBE (SIEHE ABB. G)
20. SECHSKANTSCHLÜSSEL (SIEHE ABB. I)
21. LED-LICHT (SIEHE ABB. J)

\* Nicht alle abgebildeten oder beschriebenen Zubehörteile sind in der Standardlieferung enthalten.

## TECHNISCHE DATEN

Typ CS20S-165 (20S-165- Maschinenbezeichnung, stellvertretend für Kreissäge)

Spannung	18V <sup>max</sup> (20V Max.)	
Leerlaufdrehzahl	4500/min	
Blattgröße	165mm	
Bohrungsgröße	20mm	
Abschrägungskapazität	0-50°	
Schneidleistung:	Schnitttiefe bei 90°	55mm
	Schnitttiefe bei 45°	38mm
Maschinengewicht (ohne Batterie)	2.44kg	

## AKKU-KREISSÄGE

### GEEIGNETE AKKUPACKS

Artikelnummer	BI20-2	BI20-4
Batteriekapazität	2.0Ah	4.0Ah
	Nicht enthalten	Empfohlen (nicht enthalten)

### GEEIGNETE LADEGERÄTE

Artikelnummer	C20-2	C20-4
Ladegerät-Eingang	100-240V~50/60Hz, 55W	100-240V~50/60Hz, 95W
Ladegerät-Ausgang	20V $\equiv$ 2.0A	20V $\equiv$ 4.0A
Ladezeit (ungefähr)	1hr (2.0 Ah) 2hrs (4.0 Ah)	30mins (2.0 Ah) 60mins (4.0 Ah)
Ladeschutzklasse	$\square$ /II	$\square$ /II
	Nicht enthalten	Nicht enthalten

### INFORMATIONEN ÜBER LÄRM

Gewichteter Schalldruck:  $L_{pA}$ : 90.1 dB (A)  $K_{pA}$ = 3 dB(A)

Gewichtete Schalleistung:  $L_{wA}$ : 98.1 dB (A)  $K_{wA}$ = 3 dB(A)

Tragen Sie einen Gehörschutz.

### VIBRATIONSINFORMATIONEN

Vibrations Gesamt Messwertermittlung gemäß EN 62841:	
Holz schneiden	Vibrationsemissionswert: $a_{h,w} = 2.778m/s^2$
	Unsicherheit $K = 1.5m/s^2$

Der angegebene Vibrationsgesamtwert kann und der angegebene Vibrationsemissionswert wurden gemäß Standardprüfverfahren gemessen und können zum Vergleichen eines Werkzeug mit einem anderen verwendet werden.

Der angegebene Vibrationsgesamtwert und der angegebene Vibrationsemissionswert können auch für eine anfängliche Beurteilung der Beeinträchtigung verwendet werden.

**!** **WARNUNG!** Die Vibrations- und Lärmemissionen bei der eigentlichen Nutzung des Elektrowerkzeugs können vom angegebenen Wert abweichen, je nachdem, wie das Werkzeug verwendet wird und insbesondere abhängig davon, welcher Werkstücktyp verarbeitet wird, und abhängig von folgenden Beispielen und verschiedenen Einsatzmöglichkeiten des Werkzeugs: Wie das Werkzeug verwendet wird und Materialien geschnitten oder angebohrt werden.

Das Werkzeug ist in gutem Zustand und gut gepflegt.  
Verwendung des richtigen Zubehörs für das Werkzeug und Gewährleistung seiner Schärfe und seines Zustands.

Die Festigkeit des Griffs auf den Handgriffen und, falls Antivibrations- und Lärmschutzzubehör verwendet wird.



Und ob das verwendete Werkzeug dem Design und diesen Anweisungen entsprechend verwendet wird.

Wird dieses Werkzeug nicht angemessen gehandhabt, kann es ein Hand-Arm-Vibrationssyndrom erzeugen.



**WARNUNG!** Um genau zu sein, sollte eine Abschätzung des Belastungsgrades aller Arbeitsabschnitte während tatsächlicher Verwendung berücksichtigt werden, z.B. die Zeiten, wenn das Werkzeug ausgeschaltet ist, und wenn es sich im Leerlauf befindet und eigentlich nicht eingesetzt wird. Auf diese Weise kann der Belastungsgrad während der gesamten Arbeitszeit wesentlich gemindert werden.

Hilft dabei, das Risiko der Vibrations- und Lärmbelastung zu minimieren.

Verwenden Sie **IMMER** scharfe Meißel, Bohrer und Sägeblätter.

Pflegen Sie dieses Werkzeug diesen Anweisungen entsprechend und achten Sie auf eine gute Einfettung (wo erforderlich).

Falls das Werkzeug regelmäßig verwendet werden soll, investieren Sie in Antivibrations- und Lärmschutzzubehör.

Machen Sie einen Arbeitsplan, um die Verwendung von hochvibrierenden Werkzeugen auf mehrere Tage zu verteilen.

## ZUBEHÖR

Holzsägeblatt	1
Staubabsaugungsadapter (32mm)	1
Staubrohr (35mm)	1
Inbusschlüssel	1
Parallelanschlag	

Wir empfehlen, dass Sie Ihr Zubehör in dem Geschäft kaufen, in dem Sie das Werkzeug verkauft haben. Weitere Einzelheiten finden Sie in der Verpackung des Zubehörs. Das Ladenpersonal kann Ihnen behilflich sein und Ratschläge geben.

## AKKU-KREISSÄGE

### BETRIEBSANLEITUNG



**HINWEIS:** Bitte lesen Sie die Bedienungsanleitung sorgfältig durch, bevor Sie das Werkzeug verwenden.

#### VERWENDUNGSZWECK

Die Maschine ist für den Einsatz im häuslichen Umfeld und für Heimanwendungen gedacht. Sie ist besonders nützlich für das Zuschneiden von Sperrholz und ähnlichem Plattenmaterial. Sie ist NICHT geeignet für das Schneiden von Metall mit Sägeblättern oder Scheiben.

#### VOR INBETRIEBNAHME

##### 1. MONTAGE/WECHSEL EINES SÄGEBLATTS

Gefahr von Verletzungen beim Berühren des Sägeblatts.

Verwenden Sie nur Sägeblätter, die den technischen Spezifikationen dieses Werkzeugs entsprechen.

Unter keinen Umständen dürfen Schleifscheiben als Schneidwerkzeug verwendet werden.

Für den Wechsel des Sägeblatts ist es am besten, die Maschine so auf eine flache Oberfläche zu stellen, dass das Motor-Endkappe nach unten zeigt und das Sägeblatt sowie der Schutz der Sägeblatts nach oben.

##### - Entfernen des Sägeblatts:

Drücken Sie den Spindelarretierungsknopf und halten Sie ihn gedrückt.

Lösen Sie die Sägeblattschraube im Uhrzeigersinn mit dem Inbusschlüssel.

Entfernen Sie die äußere Flansche. Mit dem Hebel der unteren Schutzhaube, kippen Sie die untere Schutzhaube zurück und halten Sie sie fest in dieser Position. Entfernen Sie das Sägeblatt. (Siehe Abb.A1, A2)

##### - Montage des Sägeblatts (Siehe Abb. A3):

Mit dem Hebel der unteren Schutzhaube kippen Sie die untere Schutzhaube zurück und halten Sie sie fest in dieser Position. Platzieren Sie das Sägeblatt auf der inneren Flansche. Stellen Sie sicher, dass die Richtung der Schneidezähne des Sägeblatts mit dem Richtungsindikator der Blattrotation übereinstimmt. Legen Sie

die äußere Flansche über das Blatt, dann setzen Sie die Sägeblattschraube ein. Drücken Sie den Spindelarretierungsknopf, um die Spindel zu arretieren, und verwenden Sie den Inbusschlüssel, um die Sägeblattschraube in entgegengesetzter Uhrzeigerrichtung mit 1/4 Drehung mehr als handfest anzuziehen.

**HINWEIS:** Achten Sie darauf, dass die Montagepositionen der inneren und äußeren Flansche korrekt sind.



**WARNUNG:** Die Zähne des Sägeblatts sind sehr scharf. Für beste Schnittergebnisse stellen Sie sicher, dass Sie ein für das Material und die Schnittqualität, die Sie benötigen, geeignetes Sägeblatt verwenden.

##### 2. EINSTELLUNG DER SCHNITTtieFE (SIEHE ABB. B)

Drehen Sie den Verriegelungsknopf für die Schnitttiefe in entgegengesetzter Uhrzeigerrichtung, um ihn zu lösen und das Sägegehäuse von der Grundplatte abzuheben. Stellen Sie die erforderliche Schnitttiefe ein, indem Sie das Dreieckssymbol mit der auf der Rückseite der festen Schutzhaube markierten Schnitttiefenskala ausrichten. Drehen Sie dann den Verriegelungsknopf für die Schnitttiefe in Uhrzeigerrichtung, um das Sägegehäuse und die Grundplatte zu verriegeln.

Fügen Sie immer 3 mm zu Ihrer Schnitttiefe hinzu, damit das Blatt das Material durchschneiden kann.

**HINWEIS:** Es ist am besten, vor dem Schneiden Ihres Werkstücks einen Probeschnitt durchzuführen.

##### 3. EINSTELLUNG DES WINKELS DER GRUNDPLATTE (SIEHE ABB. C1, C2)

Drehen Sie die Verriegelung für den Gehrungswinkel der Grundplatte in entgegengesetzter Uhrzeigerrichtung, um die Winkelskala zu lösen. Neigen Sie die Grundplatte vom Gerät weg. Stellen Sie den erforderlichen Gehrungswinkel ein, indem Sie das Dreieckssymbol mit der Winkelskala der Grundplatte ausrichten. Ziehen Sie die Verriegelung für den Gehrungswinkel durch Drehen in Uhrzeigerrichtung fest. Verwenden Sie die Schnitttiefenskala nicht bei Gehrungsschnitten wegen möglicher

Ungenauigkeiten.


#### 4. STAUBABSAUGANSCHLUSS (SIEHE ABB. D)

Befestigen Sie den Staubsaugeradapter mit der Schraube an der festen Schutzhaube. Verbinden Sie einen passenden Staubsaugerschlauch direkt mit dem Adapter. **HINWEIS: Der Staubsaugeradapter darf nicht montiert werden, wenn keine externe Staubabsaugung angeschlossen ist.** Andernfalls besteht die Gefahr, dass das Absaugsystem verstopft. Reinigen Sie den Staubsaugeradapter regelmäßig, um eine optimale Staubabsaugung zu gewährleisten. Der Staubsauger muss für das zu bearbeitende Material geeignet sein.

#### 5. ENTFERNEN ODER INSTALLIEREN DES BATTERIEPACKS (NICHT ENTHALTEN) (SIEHE ABB. E1, E2)

Um den Akkupack zu entfernen, drücken Sie zuerst fest auf die Akkupack-Freigabetaste und schieben Sie dann den Akkupack aus Ihrem Werkzeug heraus. Um den Akkupack zu installieren, schieben Sie den vollständig geladenen Akkupack mit ausreichender Kraft auf das Werkzeug, bis er hörbar einrastet.

#### BETRIEB

 **WARNUNG!** Vor jeglicher Wartung oder Einstellung stellen Sie sicher, dass die Säge ausgeschaltet und der Akkupack entfernt ist. Tragen Sie Schutzhandschuhe beim Montieren des Sägeblatts.

#### 1. HALTUNG DES HANDGRIFFS


Halten Sie Ihre Säge beim Bedienen immer fest mit beiden Händen.

#### 2. SICHERHEITSSCHALTER EIN/AUS (SIEHE ABB. F)

Wenn der Sperrknopf in neutraler Position ist, ist der Schalter gesperrt. Drücken Sie den Sperrknopf nach links oder rechts und dann den Ein-/Ausschalter, startet die Maschine. Um die Maschine auszuschalten, lassen Sie den Schalter los, der Sperrknopf ist in neutraler Position, und die Maschine hält an.

Ihre Säge verfügt über eine automatische elektrische Bremse, die darauf ausgelegt ist, das Sägeblatt innerhalb von etwa drei Sekunden nach dem Loslassen des Auslösers anzuhalten.

Dies ist nützlich bei bestimmten Schnitten in Holz, bei denen ein nachlaufendes Blatt zu einem breiten, ungenauen Schnitt führen würde.

 **WARNUNG:** Warten Sie, bis die Maschine vollständig angehalten hat, bevor Sie sie abstellen.

#### 3. EINSTELLUNG DES PARALLELANSCHLAGS (SIEHE ABB. G)

Er wird verwendet, um Schnitte parallel zu einer Werkstückkante in einem gewählten Abstand zu machen. Lösen Sie zuerst die Befestigungsschraube des Parallelanschlags durch Drehen gegen den Uhrzeigersinn, schieben Sie dann den Arm des Parallelanschlags durch den Spalt, um den gewünschten Schnittabstand zu erreichen, und drehen Sie die Befestigungsschraube im Uhrzeigersinn, um den Parallelanschlag fest zu klemmen.

**HINWEIS:** Es ist am besten, einen Probeschnitt durchzuführen.

#### 4. SCHNITTFÜHRUNG (SIEHE ABB. H1, H2)

An der Vorderseite der Grundplatte befindet sich eine Markierungsnut für den Schnitt, die zusammen mit einem Parallelanschlag verwendet wird. Für gerade Schnitte verwenden Sie die 0°-Schnittmarkierung, um sie mit Ihrer Skala des Parallelanschlags auszurichten. Für einen 45°-Gehrungsschnitt verwenden Sie die 45°-Schnittmarkierung, um sie mit Ihrer Skala des Parallelanschlags auszurichten. Klemmen Sie den Parallelanschlag sicher fest. Führen Sie immer einen Probeschnitt durch, um die Einstellung zu überprüfen.

#### 5. GEHRUNGSSCHNITTE

Stellen Sie den gewünschten Gehrungswinkel zwischen 0° und 45° ein. Verwenden Sie bei Gehrungsschnitten nicht die Schnitttiefenskala, da dies zu möglichen Ungenauigkeiten führen kann.

## AKKU-KREISSÄGE

### 6. SECHSKANTSCHLÜSSEL-AUFBEWAHRUNG (SIEHE ABB. I)

Der mitgelieferte Sechskantschlüssel kann auf der Grundplatte unterhalb des Motorgehäuses und neben dem Arretierungsknopf für den Parallelschlag aufbewahrt werden.

### 7. LED-LICHT (SIEHE ABB. J)

Dieses Werkzeug verfügt über ein LED-Licht, das leuchtet, wenn die Säge in den Akkupack eingesetzt wird. Es zeigt an, dass Ihr Werkzeug aktiviert ist und die Sicht verbessert - besonders nützlich in dunklen oder geschlossenen Bereichen.

## ARBEITSHINWEISE FÜR IHRE KREISSÄGE

Wenn Ihr Elektrowerkzeug zu heiß wird, lassen Sie Ihre Kreissäge 2-3 Minuten lang ohne Last laufen, um den Motor abzukühlen. Vermeiden Sie eine längere Verwendung bei sehr niedrigen Geschwindigkeiten.

Verwenden Sie immer eine für das zu schneidende Material und die Materialstärke geeignete Klinge. Die Qualität des Schnitts verbessert sich mit zunehmender Anzahl von Klingenzähnen.


Stellen Sie immer sicher, dass das Werkstück festgehalten oder geklemmt ist, um Bewegungen zu verhindern. Stützen Sie große Platten nahe der Schnittlinie ab. Jede Bewegung des Materials kann die Qualität des Schnitts beeinträchtigen. Die Klinge schneidet im Aufwärtshub und kann die Oberfläche oder Kanten Ihres Werkstücks beschädigen. Beim Schneiden stellen Sie sicher, dass Ihre oberste Oberfläche eine nicht sichtbare Oberfläche ist, wenn Ihre Arbeit beendet ist. Ein zu schnelles Vorschub reduziert die Leistung der Maschine erheblich und verkürzt die Lebensdauer der Sägeblätter. Platzieren Sie immer die gute Seite des Werkstücks nach unten, um ein Mindestmaß an Splintern zu gewährleisten.

Verwenden Sie nur scharfe Sägeblätter des richtigen Typs.

## WARTUNG

Entfernen Sie das Akkupack aus dem Werkzeug, bevor Sie Einstellungen, Service- oder Wartungsarbeiten daran durchführen. Ihr Werkzeug benötigt keine zusätzliche Schmierung oder Wartung. Es gibt keine vom Anwender zu wartenden Teile in diesem Elektrowerkzeug. Reinigen Sie Ihr Werkzeug niemals mit Wasser oder chemischen Lösungsmitteln. Wischen Sie es mit einem trockenen Tuch sauber. Lagern Sie Ihr Werkzeug immer an einem trockenen Platz. Sorgen Sie dafür, dass bei staubigen Arbeiten die Lüftungsöffnungen frei sind. Halten Sie alle Bedienelemente staubfrei. Gelegentlich sind durch die Lüftungsschlitze hindurch Funken zu sehen. Dies ist normal und wird Ihr Werkzeug nicht beschädigen.

## UMWELTSCHUTZ

 Elektroprodukte dürfen nicht mit dem normalen Haushaltsmüll entsorgt werden, sondern sollten nach Möglichkeit zu einer Recyclingstelle gebracht werden. Ihre zuständigen Behörden oder Ihr Fachhändler geben Ihnen hierzu gerne Auskunft.

# EC Konformitätserklärung

DE



Wir :

**HYUNDAI Corporation Holdings Europe**  
Am Kronberger Hang 2A, 65824, Schwalbach am Taunus  
Germany

Erklären, dass das unten aufgeführte Produkt :  
**Akku-Kreissäge**

**MODELL : CS20S-165**  
**FUNKTION : Schneiden verschiedener Materialien mit einer rotierenden  
Zahnhobeisen**

Erfüllt die Anforderungen der Richtlinien des Rates :  
2006/42/EC, 2011/65/EU & (EU)2015/863, 2014/30/EU

Standards entsprechen der :  
EN 62841-1, EN IEC 62841-2-5,  
EN IEC 55014-1, EN IEC 55014-2,  
EN IEC 63000

Die für die Zusammenstellung der technischen Unterlagen befugte Person,  
Name : Hyundae Kim  
Adresse : HYUNDAI Corporation Holdings Europe  
65824 Schwalbach am Taunus, Germany

Geschäftsführer

Jaiwon Hur

Projektleiter

Sungwoo Hong

Datum : 2024.09.25

## SCIE CIRCULAIRE SANS FIL

# NOTICE ORIGINALE SÉCURITÉ DU PRODUIT AVERTISSEMENTS DE SÉCURITÉ GÉNÉRAUX POUR L'OUTIL



**AVERTISSEMENT!** Lire l'ensemble des mises en garde, instructions, illustrations et spécifications fourni avec cet outil électrique. *Ne pas suivre toutes les instructions énumérées ci-dessous peut conduire à une électrocution, un incendie et / ou des blessures graves.*

Conserver tous les avertissements et toutes les instructions pour pouvoir s'y reporter ultérieurement.

Le terme «outil» dans les avertissements fait référence à votre outil électrique alimenté par le secteur (avec cordon d'alimentation) ou votre outil fonctionnant sur batterie (sans cordon d'alimentation).

### 1. SÉCURITÉ DE LA ZONE DE TRAVAIL

- Conservé la zone de travail propre et bien éclairée. *Les zones en désordre ou sombres sont propices aux accidents.*
- Ne pas faire fonctionner les outils électriques en atmosphère explosive, par exemple en présence de liquides inflammables, de gaz ou de poussières. *Les outils électriques produisent des étincelles qui peuvent enflammer les poussières ou les fumées.*
- Maintenir les enfants et les personnes présentes à l'écart pendant l'utilisation de l'outil. *Les distractions peuvent vous faire perdre le contrôle de l'outil.*

### 2. SÉCURITÉ ÉLECTRIQUE

- Il faut que les fiches de l'outil électrique soient adaptées au socle. Ne jamais modifier la fiche de quelque façon que ce soit. Ne pas utiliser d'adaptateurs avec des outils à branchement de terre. *Des fiches non modifiées et des socles adaptés réduiront le risque de choc électrique.*
- Éviter tout contact du corps avec des surfaces reliées à la terre telles que les tuyaux, les radiateurs, les cuisinières et les

réfrigérateurs. *Il existe un risque accru de choc électrique si votre corps est relié à la terre.*

- Ne pas exposer les outils à la pluie ou à des conditions humides. *La pénétration d'eau à l'intérieur d'un outil augmentera le risque de choc électrique.*
- Ne pas maltraiter le cordon. Ne jamais utiliser le cordon pour porter, tirer ou débrancher l'outil. Maintenir le cordon à l'écart de la chaleur, du lubrifiant, des arêtes ou des parties en mouvement. *Des cordons endommagés ou emmêlés augmentent le risque de choc électrique.*
- Lorsqu'on utilise un outil à l'extérieur, utiliser un prolongateur adapté à l'utilisation extérieure. *L'utilisation d'un cordon adapté à l'utilisation extérieure réduit le risque de choc électrique.*
- Si l'usage d'un outil dans un emplacement humide est inévitable, utiliser une alimentation protégée par un dispositif à courant différentiel résiduel (DDR). *L'usage d'un DDR réduit le risque de choc électrique.*

### 3. SÉCURITÉ DES PERSONNES

- Restez vigilant, regardez ce que vous êtes en train de faire et faites preuve de bon sens dans votre utilisation de l'outil. Ne pas utiliser un outil lorsque vous êtes fatigué ou sous l'emprise de drogues, d'alcool ou de médicaments. *Un moment d'inattention en cours d'utilisation d'un outil peut entraîner des blessures graves des personnes.*
- Utiliser un équipement de sécurité. Toujours porter une protection pour les yeux. *Les équipements de sécurité tels que les masques contre les poussières, les chaussures de sécurité antidérapantes, les casques ou les protections acoustiques utilisés pour les conditions appropriées réduiront les blessures de personnes.*
- Éviter tout démarrage intempestif. S'assurer que l'interrupteur est en position arrêt avant de brancher l'outil au secteur et/ou au bloc de batteries, de le ramasser ou de le porter. *Porter les outils en ayant le doigt sur l'interrupteur ou brancher des outils dont l'interrupteur est en position marche est source d'accidents.*

- d) Retirer toute clé de réglage avant de mettre l'outil en marche. *Une clé laissée fixée sur une partie tournante de l'outil peut donner lieu à des blessures de personnes.*
- e) Ne pas se précipiter. Garder une position et un équilibre adaptés à tout moment. *Cela permet un meilleur contrôle de l'outil dans des situations inattendues.*
- f) S'habiller de manière adaptée. Ne pas porter de vêtements amples ou de bijoux. Garder les cheveux, les vêtements et les gants à distance des parties en mouvement. *Des vêtements amples, des bijoux ou les cheveux longs peuvent être pris dans des parties en mouvement.*
- g) Si des dispositifs sont fournis pour le raccordement d'équipements pour l'extraction et la récupération des poussières, s'assurer qu'ils sont connectés et correctement utilisés. *Utiliser des collecteurs de poussière peut réduire les risques dus aux poussières.*
- h) Ne pas laisser les habitudes acquises au cours d'une utilisation fréquente des outils nous rendre complaisants et ignorer les principes de sécurité de l'outil. *Une action imprudente peut entraîner des blessures graves en une fraction de seconde.*

#### 4. UTILISATION ET ENTRETIEN DE L'OUTIL

- a) Ne pas forcer l'outil. Utiliser l'outil adapté à votre application. *L'outil adapté réalisera mieux le travail et de manière plus sûre au régime pour lequel il a été construit.*
- b) Ne pas utiliser l'outil si l'interrupteur ne permet pas de passer de l'état de marche à arrêt et vice versa. *Tout outil qui ne peut pas être commandé par l'interrupteur est dangereux et il faut le réparer.*
- c) Débrancher la prise de la source d'alimentation et / ou retirer la batterie, si elle est amovible, de l'outil, avant tout réglage, changement d'accessoires ou avant de ranger l'outil. *De telles mesures de sécurité préventives réduisent le risque de démarrage accidentel de l'outil.*
- d) Conserver les outils à l'arrêt hors de la portée des enfants et ne pas permettre à des personnes ne connaissant pas l'outil ou les présentes instructions de le faire fonctionner.

*Les outils sont dangereux entre les mains d'utilisateurs novices.*

- e) Entretien des outils et accessoires électriques. Vérifier qu'il n'y a pas de mauvais alignement ou de blocage des parties mobiles, des pièces cassées ou toute autre condition pouvant affecter le fonctionnement de l'outil. En cas de dommages, faire réparer l'outil avant de l'utiliser. *De nombreux accidents sont dus à des outils mal entretenus.*
- f) Garder affûtés et propres les outils permettant de couper. *Des outils destinés à couper correctement entretenus avec des pièces coupantes tranchantes sont moins susceptibles de bloquer et sont plus faciles à contrôler.*
- g) Utiliser l'outil, les accessoires et les lames etc., conformément à ces instructions, en tenant compte des conditions de travail et du travail à réaliser. *L'utilisation de l'outil pour des opérations différentes de celles prévues pourrait donner lieu à des situations dangereuses.*
- h) Maintenir les poignées et les surfaces de préhension sèches, propres et exemptes d'huile et de graisse. *Des poignées et surfaces de préhension glissantes ne permettent pas une manipulation et un contrôle de l'outil en toute sécurité en cas d'imprévu.*

#### 5. UTILISATION DES OUTILS FONCTIONNANT SUR BATTERIES ET PRÉCAUTIONS D'EMPLOI

- a) Ne recharger qu'avec le chargeur spécifié par le fabricant. *Un chargeur qui est adapté à un type de bloc de batteries peut entraîner un risque d'incendie lorsqu'il est utilisé avec un autre type de bloc de batteries.*
- b) N'utiliser les outils qu'avec des blocs de batteries spécifiquement désignés. *L'utilisation de tout autre bloc de batteries peut entraîner un risque de blessure et d'incendie.*
- c) Lorsqu'un bloc de batteries n'est pas utilisé, le maintenir à l'écart de tout autre objet métallique, par exemple trombones, pièces de monnaie, clés, clous, vis ou autres objets de petite taille qui peuvent donner lieu à



## SCIE CIRCULAIRE SANS FIL


une connexion d'une borne à une autre. *Le court-circuitage des bornes d'une batterie entre elles peut causer des brûlures ou un incendie.*

- d) Dans de mauvaises conditions, du liquide peut être éjecté de la batterie; éviter tout contact. En cas de contact accidentel, nettoyer à l'eau. Si le liquide entre en contact avec les yeux, rechercher en plus une aide médicale. *Le liquide éjecté des batteries peut causer des irritations ou des brûlures.*
- e) N'utilisez pas de batterie ou d'outil endommagé ou modifié. *Des batteries endommagées ou modifiées peuvent se comporter de façon imprévisible et causer un incendie, une explosion ou un risque de blessure.*
- f) N'exposez pas une batterie ou un outil à un incendie ou à une température excessive. *L'exposition à un incendie ou une température supérieure à 130 °C peut causer une explosion.*
- g) Suivez toutes les instructions de charge et ne rechargez pas la batterie ou l'outil en dehors de la plage de température spécifiée dans les instructions. *Recharger la batterie de façon inappropriée ou en dehors de la plage de température spécifiée peut l'endommager et augmente le risque d'incendie.*

### 6. MAINTENANCE ET ENTRETIEN

- a) Faire entretenir l'outil par un réparateur qualifié utilisant uniquement des pièces de rechange identiques. *Cela assurera le maintien de la sécurité de l'outil.*
- b) Ne révisé jamais de batteries endommagées. *La révision de batteries doit uniquement être effectuée par le fabricant ou les prestataires de service autorisés.*

## MESURES DE SÉCURITÉ POUR TOUT TYPE DE SCIE PROCÉDURES DE COUPE

- a)  **AVERTISSEMENT:** Garder les mains en dehors de la zone de coupe et éloignées de la lame. Garder la seconde

main sur la poignée auxiliaire ou sur le boîtier du moteur. *Si les deux mains maintiennent la scie, la lame ne pourra pas les atteindre.*

- b) Ne pas toucher la partie inférieure de la pièce à travailler. *Le capot protecteur ne peut pas protéger de la lame en dessous de la pièce de bois.*
- c) Ajuster la profondeur de coupe à l'épaisseur de la pièce à usiner. *On devrait voir moins d'une dent entière des dents de la lame en-dessous de la pièce à usiner.*
- d) Ne jamais tenir la pièce que vous coupez entre vos mains ou sur votre jambe. Fixer la pièce à usiner sur une plateforme stable. *Il est important de soutenir correctement le travail pour réduire l'exposition du corps, la flexion de la lame ou la perte de contrôle.*
- e) Tenez l'outil électrique uniquement par les surfaces de prise en main isolantes lorsque vous effectuez une opération où l'accessoire de coupe peut entrer en contact avec des fils cachés ou avec son propre cordon. *L'accessoire de coupe, s'il entre en contact avec un fil "sous tension", peut mettre les parties métalliques exposées de l'outil "sous tension" et électrocuter l'opérateur.*
- f) Pour le sciage en long, toujours utiliser un guide longitudinal ou une règle à tracer. *Cela améliore l'exactitude de la coupe et réduit le risque de flexion de la lame.*
- g) Toujours utiliser des lames de la bonne taille et la bonne forme (losange contre rond) de trous d'arbre. *Les lames qui ne correspondent pas aux pièces de montage de la scie couperont de manière excentrique, entraînant une perte de contrôle.*
- h) Ne jamais utiliser de rondelle ou d'écrou de lame endommagé ou incorrect. *Les rondelles et les écrous de lame ont été conçus spécialement pour votre lame, pour des résultats optimaux et un fonctionnement sécuritaire.*

## MESURES DE SÉCURITÉ SUPPLÉMENTAIRES POUR TOUT TYPE DE SCIE CAUSES ET PRÉVENTION DES EFFETS DE REBOND

- L'effet de rebond est une réaction soudaine d'une lame de scie mal alignée, tordue ou grippée qui dévie la scie de la pièce de bois vers l'utilisateur.
- Lorsque la lame est grippée ou tordue près de l'extrémité de la coupe de scie, la lame se bloque et la réaction du moteur ramène très rapidement l'unité en direction de l'utilisateur.
- Si la lame se tord ou s'aligne mal dans la coupe, la dent de l'extrémité arrière de la lame peut plonger dans la surface supérieure du bois et la lame peut sortir de la coupe de scie pour être projetée vers l'utilisateur.

L'effet de rebond est le résultat d'une mauvaise utilisation de la scie et/ou de procédures ou de conditions d'utilisation incorrectes et peut être évité en suivant les instructions ci-dessous.

- a) **Maintenir fermement la scie avec les deux mains et positionner les bras pour résister aux forces de l'effet de rebond.** Positionner le corps de chaque côté de la lame mais non dans le prolongement de celle-ci. *L'effet de rebond pourrait faire sauter la scie en arrière mais ces forces peuvent être contrôlées par l'utilisateur si les mesures nécessaires sont prises.*
- b) Lorsque la lame se grippe ou lorsque la coupe est interrompue pour quelques raisons, relâcher l'interrupteur et maintenir la scie dans la pièce de bois jusqu'à l'arrêt complet de l'outil. Ne jamais essayer de retirer la scie du travail ou de tirer la scie en arrière lorsque la lame est en marche ou un effet de rebond pourrait se produire. *Chercher la cause du grippage de la lame et prendre les mesures correctives.*
- c) Lors du redémarrage de la scie dans la pièce de bois, centrer la scie dans la ligne de coupe et vérifier que les dents de la scie ne sont pas engagées dans la pièce.

*Si la lame de scie est grippée, elle pourrait sauter hors de la pièce de bois lors du redémarrage de la scie.*

- d) Supporter les gros panneaux afin de réduire le risque de dérapage ou de retour en arrière de la lame. Les gros panneaux ont tendance à fléchir sous leur propre poids. *Les supports doivent être placés sous la planche de chaque côté, près de la ligne de coupe et près du bord de la planche.*
- e) **Ne pas utiliser de lames émoussées ou endommagées.** *Des lames non aiguisées ou incorrectes produisent des lignes de coupe étroites provoquant un frottement excessif, un grippage de la lame ou un effet de rebond.*
- f) **La profondeur de la lame et les leviers bloqués de réglage du biseau doivent être fixés fermement et en toute sécurité avant d'effectuer la coupe.** *Si les réglages du biseau dévient pendant la coupe, cela pourrait provoquer le grippage de la lame ou un effet de rebond.*
- g) **Être davantage prudent lors de la scier sur des murs existants ou sur d'autres surfaces cachées.** *La lame saillante peut couper des objets qui peuvent provoquer un effet de rebond.*

## CONSIGNES DE SÉCURITÉ POUR SCIE CIRCULAIRE AVEC PROTECTION INTÉRIEURE DE PENDULE SYSTÈME DE SÉCURITÉ INFÉRIEUR

- a) Vérifier que le capot inférieur soit bien fermé avant toute utilisation. Ne pas mettre la scie en marche si le capot inférieur ne bouge pas librement et ne se ferme pas instantanément. Ne jamais mettre ou bloquer le capot inférieur sur la position ouverte. Si la scie tombe accidentellement, le capot inférieur peut se tordre. *Soulever le capot inférieur avec la poignée rétractable et s'assurer qu'il bouge librement et ne touche pas la lame ni aucune autre partie, dans tous*

## SCIE CIRCULAIRE SANS FIL

*les angles et profondeurs de coupe.*

- b) Vérifier le bon fonctionnement du ressort du capot inférieur. Si le capot protecteur et le ressort ne fonctionnent pas correctement, ils doivent être réparés avant toute utilisation. *Le capot inférieur peut fonctionner lentement du fait de parties endommagées, de dépôts gommeux ou d'un amoncellement de débris.*
- c) Le capot inférieur doit être retiré manuellement uniquement pour des coupes spéciales telles que " les coupes en plongée ". Soulever le capot inférieur en retirant la poignée et dès que la lame pénètre le matériau, le capot inférieur doit être relâché. *Pour toutes les autres opérations de sciage, le capot inférieur devrait fonctionner automatiquement.*
- d) Toujours s'assurer que le capot inférieur recouvre la lame avant de poser la scie sur l'établi ou sur le sol. Une lame à nue, non protégée provoquera un saut en arrière de la scie qui tranchera tout ce qui se trouve sur son passage. *Prendre en compte le temps nécessaire à la lame pour s'arrêter après que l'interrupteur ait été relâché.*

## SYMBOLES



Pour réduire le risque de blessure, l'utilisateur doit lire le mode d'emploi.



Avertissement



Porter une protection pour les oreilles



Porter une protection pour les yeux



Porter un masque contre la poussière



Les déchets d'équipements électriques et électroniques ne doivent pas être déposés avec les ordures ménagères. Ils doivent être collectés pour être recyclés dans des centres spécialisés. Consultez les autorités locales ou votre revendeur pour obtenir des renseignements sur l'organisation de la collecte.

## MESURES DE SÉCURITÉ SUPPLÉMENTAIRES POUR SCIE

1. Utiliser uniquement des lames de scie recommandées par le fabricant, conformes à la norme EN 847-1, si elles sont destinées à couper du bois et des matériaux similaires.
2. Ne pas utiliser de roues abrasives.
3. Utilisez uniquement le diamètre de la (des) lame (s) en conformité avec les marquages.
4. Utilisez une lame de scie adaptée au matériel à couper.
5. Utiliser uniquement des lames de scie marquées avec une vitesse égale ou supérieure à la vitesse marquée sur l'outil.

## LISTE DES COMPOSANTS

1. BATTERIE*
2. BOUTON DE LIBÉRATION DE LA BATTERIE*
3. POIGNÉE
4. INTERRUPTEUR MARCHE/ARRÊT
5. BOUTON DE VERROUILLAGE
6. POIGNÉE AVANT
7. PLAQUE DE BASE
8. GUIDE PARALLÈLE
9. LAME DE SCIE
10. PROTECTION INFÉRIEURE DE LA LAME
11. BOULON DE LAME
12. LEVIER DE LIBÉRATION DE LA PROTECTION INFÉRIEURE
13. ADAPTATEUR D'ASPIRATION
14. BOUTON DE VERROUILLAGE DE LA BROCHE (VOIR FIG. A1)
15. FLASQUE INTÉRIEURE (VOIR FIG. A3)
16. FLASQUE EXTÉRIEURE (VOIR FIG. A3)
17. LEVIER DE VERROUILLAGE DE LA PROFONDEUR DE COUPE (VOIR FIG. B)
18. LEVIER DE VERROUILLAGE DE L'INCLINAISON DE LA PLAQUE DE BASE (VOIR FIG. C1)
19. VIS DE VERROUILLAGE DU GUIDE PARALLÈLE (VOIR FIG. G)
20. CLÉ HEXAGONALE (VOIR FIG. I)
21. LAMPE LED (VOIR FIG. J)

\* Tous les accessoires illustrés ou décrits ne sont pas inclus dans la livraison standard.

## DONNÉES TECHNIQUES

Type CS20S-165 (20S-165-désignation de la machine, représentative de la scie circulaire)

Tension	18V $\overline{\text{---}}$ (20V Max.)	
vitesse sans chargement	4500/min	
Taille de la lame	165mm	
Taille du trou	20mm	
Capacité de biseau	0-50°	
Capacité de coupe	Profondeur de coupe à 90 °	55mm
	Profondeur de coupe à 45°	38mm
Poids de la machine (sans batterie)	2.44kg	

## SCIE CIRCULAIRE SANS FIL

### PACKS DE BATTERIE ADAPTÉS

Numéro d'article	BI20-2	BI20-4
Capacité de la batterie	2.0Ah	4.0Ah
	Non inclus	Recommandé (non inclus)

### CHARGEURS ADAPTÉS

Numéro d'article	C20-2	C20-4
Entrée chargeur	100-240V~50/60Hz, 55W	100-240V~50/60Hz, 95W
Sortie chargeur	20V $\overline{=}$ 2.0A	20V $\overline{=}$ 4.0A
Temps de charge (environ)	1hr (2.0 Ah) 2hrs (4.0 Ah)	30mins (2.0 Ah) 60mins (4.0 Ah)
Classe de protection du chargeur	$\square$ /II	$\square$ /II
	Non inclus	Non inclus

### INFORMATIONS RELATIVES AU BRUIT

Niveau de pression acoustique:  $L_{pA}$ : 90.1 dB (A)  $K_{pA}$ = 3 dB(A)

eau de puissance acoustique:  $L_{wA}$ : 98.1 dB (A)  $K_{wA}$ = 3 dB(A)

Porter une protection pour les oreilles.

### INFORMATIONS RELATIVES AUX VIBRATIONS

Valeurs totales de vibration (somme du vecteur triaxial) déterminées selon la norme EN 62841:	
Couper du bois	Valeur d'émission de vibrations: $a_{h,w} = 2.778\text{m/s}^2$
	Incertitude $K = 1.5\text{m/s}^2$

La valeur totale de vibration déclarée et la valeur d'émission de bruit déclarée ont été mesurées conformément à la méthode d'essai standard et peuvent être utilisées pour comparer un outil à un autre.

La valeur totale de vibration déclarée et la valeur d'émission de bruit déclarée peuvent également être utilisées lors d'une évaluation préliminaire de l'exposition.

**AVERTISSEMENT!** les vibrations et les émissions de bruit au cours de l'utilisation réelle de l'outil électrique peuvent varier de la valeur déclarée en fonction du mode d'utilisation de l'outil, en particulier du type de pièce traité selon les exemples suivants et d'autres variations concernant le mode d'utilisation de l'outil:

Comment l'outil est utilisé et quels matériaux sont coupés ou percés.

L'outil est en bon état et bien entretenu.

L'utilisation du bon accessoire pour l'outil et l'assurance qu'il est affûté et en bon état.

La force avec laquelle vous serrez les poignées et l'utilisation éventuelle d'un quelconque accessoire anti-bruit et anti-vibration.

Et l'outil est utilisé comme prévu dans sa conception et dans les présentes instructions.

Cet outil peut causer un syndrome de vibration du bras et de la main s'il n'est pas correctement géré.

**!** **AVERTISSEMENT!** Pour être précise, une évaluation du niveau d'exposition en conditions réelles d'utilisation doit également tenir compte de toutes les parties du cycle d'utilisation telles que les moments où l'outil est éteint, et ceux où il fonctionne au ralenti mais ne réalise pas réellement de tâche. Ceci peut réduire de façon significative le niveau d'exposition et la période de fonctionnement totale.

Facteurs contribuant à minimiser votre risque d'exposition aux vibrations et au bruit.

Utilisez TOUJOURS des ciseaux, des forets et des lames affûtés.

Entretenez cet outil en accord avec les présentes instructions et maintenez-le lubrifié (si approprié).

Si l'outil doit être fréquemment utilisé, investissez dans des accessoires anti-bruit et anti-vibration.

Planifiez votre travail pour étaler toute utilisation d'outil à fortes vibrations sur plusieurs jours.

FR

## ACCESSORIES

Lame de bois	1
Adaptateur d'aspiration (32mm)	1
Tube anti-poussière (35mm)	1
Clé hexagonale	1
Guide parallèle	1

Nous vous recommandons d'acheter vos accessoires dans le même magasin qui vous a vendu l'outil. Reportez-vous à l'emballage des accessoires pour plus de détails. Le personnel du magasin peut vous aider et vous conseiller.

## SCIE CIRCULAIRE SANS FIL

### INSTRUCTIONS D'UTILISATION



**REMARQUE:** Avant d'utiliser l'outil, lisez attentivement le manuel d'utilisation.

#### UTILISATION PRÉVUE

La machine est destinée à un usage domestique et domestique. Elle est particulièrement utile pour la découpe de contreplaqué et de matériaux similaires. Elle NE convient PAS aux lames ou disques de coupe métalliques.

#### AVANT LA MISE EN SERVICE

##### 1. MONTAGE/CHANGEMENT D'UNE LAME DE SCIE

Danger de blessure lors du contact avec la lame de scie.

Utilisez uniquement des lames de scie qui correspondent aux données de spécification technique de cet outil.

N'utilisez en aucun cas des disques à meuler comme outil de coupe.

Pour changer la lame de scie, il est préférable de placer la machine avec le capot moteur sur une surface plane, la zone de la lame et de la protection de lame orientée vers le haut.

##### - Retrait de la lame de scie:

Appuyez sur le bouton de verrouillage de la broche et maintenez-le enfoncé.

Desserrez le boulon de lame dans le sens des aiguilles d'une montre avec la clé hexagonale.

Retirez la bague extérieure. À l'aide du levier de protection inférieur, basculez vers l'arrière la protection inférieure de lame et maintenez-la fermement dans cette position. Retirez la lame de scie. (Voir Fig.A1, A2)

##### - Montage de la lame de scie (Voir Fig. A3):

Utilisez le levier de la protection inférieure pour basculer vers l'arrière la protection inférieure de lame et maintenez-la fermement dans cette position. Placez la lame de scie sur la bride intérieure. Assurez-vous que la direction des dents de coupe sur la lame de scie correspond à la direction de l'indicateur de rotation de la lame. Placez la bague extérieure sur la lame, puis insérez le boulon de lame. Appuyez

sur le bouton de verrouillage de la broche pour verrouiller la broche, puis utilisez la clé hexagonale pour serrer le boulon de lame dans le sens inverse des aiguilles d'une montre avec un quart de tour de plus que le serrage manuel.

**REMARQUE:** Veillez à ce que les positions de montage de la bride intérieure et de la bride extérieure soient correctes.



**AVERTISSEMENT :** Les dents de la lame sont très tranchantes. Pour obtenir les meilleurs résultats de coupe, assurez-vous d'utiliser une lame de scie adaptée au matériau et à la qualité de coupe nécessaires.

##### 2. RÉGLAGE DE LA PROFONDEUR DE COUPE (VOIR FIG. B)

Tournez le bouton de verrouillage de la profondeur de coupe dans le sens antihoraire pour desserrer et éloigner le corps de la scie de la plaque de base.

Régalez la profondeur de coupe requise en alignant le symbole triangulaire avec l'échelle de profondeur de coupe marquée à l'arrière de la protection fixe. Ensuite, tournez le bouton de verrouillage de la profondeur de coupe dans le sens horaire pour verrouiller le corps de la scie et la plaque de base.

Ajoutez toujours 3 mm à votre profondeur de coupe pour que la lame puisse traverser le matériau.

**REMARQUE:** Il est préférable de réaliser une coupe d'essai avant de couper votre pièce de travail.

##### 3. RÉGLAGE DE L'ANGLE DE LA PLAQUE DE BASE (VOIR FIG. C1, C2)

Tournez le verrou de l'inclinaison de la plaque de base dans le sens antihoraire pour desserrer l'échelle d'angle. Inclinez la plaque de base loin de la machine. Réglez l'angle de biseau requis en alignant le symbole triangulaire avec l'échelle d'angle de la plaque de base. Serrez le verrou de biseau en le tournant dans le sens horaire. Ne pas utiliser l'échelle de profondeur de coupe lors de la réalisation de coupes en biseau en raison d'une possible imprécision.

##### 4. SORTIE D'EXTRACTION DE POUSSIÈRE (VOIR FIG. D)

Fixez l'adaptateur d'aspiration au protecteur

fixe avec la vis. Connectez directement un tuyau d'aspiration adapté à l'adaptateur.

**REMARQUE :** L'adaptateur d'aspiration ne doit pas être monté lorsqu'aucune extraction de poussière externe n'est connectée.

Sinon, il y a un danger que le système d'extraction se bouche.


Nettoyez régulièrement l'adaptateur d'aspiration pour assurer une aspiration optimale de la poussière. L'aspirateur doit être adapté au matériau travaillé.

### 5. POUR RETIRER OU INSTALLER LA BATTERIE (NON INCLUS) (VOIR FIG E1, E2)

Pour retirer le pack batterie, appuyez d'abord fermement sur le bouton de libération du pack batterie, puis faites glisser le pack batterie hors de votre outil.

Pour installer le pack batterie, faites glisser le pack batterie entièrement chargé sur l'outil avec une force suffisante jusqu'à ce qu'il s'enclenche en position.

### OPÉRATION

 **ATTENTION !** Avant d'effectuer toute opération de maintenance ou d'ajustement, assurez-vous que la scie est éteinte et que la batterie est retirée. Portez des gants de protection lors du montage de la lame de scie.

### 1. POSITION DE LA POIGNÉE

Tenez toujours fermement votre scie avec les deux mains lors de son utilisation.

### 2. INTERRUPTEUR DE SÉCURITÉ MARCHE/ARRÊT (VOIR FIG. F)

Lorsque le bouton de verrouillage est en position neutre, l'interrupteur est verrouillé. Appuyez sur le bouton de verrouillage vers la gauche ou vers la droite, puis sur l'interrupteur marche/arrêt, la machine démarre. Pour éteindre la machine, relâchez l'interrupteur, le bouton de verrouillage est en position neutre et la machine s'arrête.

Votre scie est équipée d'un frein électrique automatique conçu pour arrêter la lame en environ trois secondes après avoir relâché l'interrupteur de déclenchement.

Il est utile lors de certaines coupes dans le

bois où une lame en roue libre entraînerait une coupe large et imprécise.



**ATTENTION :** Attendez que la machine s'arrête complètement avant de la poser.

### 3. RÉGLAGE DU GUIDE PARALLÈLE (VOIR FIG. G)

Il est utilisé pour effectuer des coupes parallèles au bord d'une pièce à une distance choisie.

Tournez d'abord la vis de verrouillage du guide parallèle dans le sens inverse des aiguilles d'une montre pour la desserrer, puis faites glisser le bras du guide parallèle à travers l'espace pour obtenir la distance de coupe souhaitée, puis tournez la vis de verrouillage dans le sens des aiguilles d'une montre pour fixer fermement le guide parallèle.

**REMARQUE:** Il est préférable de faire un essai de coupe.

### 4. GUIDE DE COUPE (VOIR FIG. H1, H2)

Il y a une encoche de repère de coupe à l'avant de la plaque de base pour une utilisation avec un guide parallèle. Pour les coupes droites, utilisez le repère de coupe à 0° pour l'aligner avec l'échelle du guide parallèle. Pour une coupe biseautée à 45°, utilisez le repère de coupe à 45° pour l'aligner avec l'échelle du guide parallèle. Serrez fermement le guide parallèle. Faites toujours une coupe d'essai pour vérifier le réglage.

### 5. COUPES EN BISEAU

Réglez l'angle de biseau requis entre 0° et 45°. N'utilisez pas l'échelle de profondeur de coupe lors de la réalisation de coupes en biseau en raison d'une possible inexactitude.

### 6. RANGEMENT DE LA CLÉ HEXAGONALE (VOIR FIG. I)

La clé hexagonale fournie peut être placée sur la plaque de base sous le boîtier du moteur et à côté du bouton de verrouillage du guide parallèle.

### 7. LUMIÈRE LED (VOIR FIG. J)

Cet outil est équipé d'une lumière LED alimentée qui s'allume lorsque la scie est insérée dans le pack batterie. Cela indique que votre outil est activé et améliore la visibilité - très utile pour les zones sombres ou confinées.



## SCIE CIRCULAIRE SANS FIL

### CONSEILS D'UTILISATION POUR VOTRE SCIE CIRCULAIRE

Si votre outil électrique devient trop chaud, faites fonctionner votre scie circulaire sans charge pendant 2 à 3 minutes pour refroidir le moteur. Évitez une utilisation prolongée à très faible vitesse.

Utilisez toujours une lame adaptée au matériau et à l'épaisseur du matériau à couper. La qualité de la coupe s'améliorera avec le nombre de dents de la lame.

Assurez-vous toujours que la pièce à travailler est fermement maintenue ou serrée pour éviter tout mouvement. Supportez les grandes plaques près de la ligne de coupe. Tout mouvement du matériau peut affecter la qualité de la coupe. La lame coupe à la montée et peut écailler la surface supérieure ou les bords de votre pièce.



Lors de la coupe, assurez-vous que votre surface supérieure est une surface non visible une fois votre travail terminé. Une alimentation trop rapide réduit considérablement les performances de la machine et raccourcit la durée de vie de la lame de scie. Toujours placer la bonne face de la pièce vers le bas pour garantir un minimum d'éclats.

Utilisez uniquement des lames de scie tranchantes et du bon type.

### ENTRETIEN

Retirer la batterie de l'outil avant de procéder à un réglage, une réparation ou un entretien. L'outil ne requiert pas de graissage ou d'entretien particulier. Il n'y a pas de pièces réparables par l'utilisateur dans cet outil. Ne jamais utiliser d'eau ou de nettoyants chimiques pour nettoyer l'outil. Nettoyer avec un chiffon sec. Toujours conserver l'outil motorisé dans un endroit sec. Maintenir les fentes de ventilation du moteur propres. Empêcher que les commandes de marche soient couvertes de sciure. Il est normal que des étincelles soient visibles dans les fentes de ventilation, cela n'endommagera pas l'outil motorisé.

### PROTECTION DE L'ENVIRONNEMENT

 Les déchets d'équipements électriques et électroniques ne doivent pas être  déposés avec les ordures ménagères. Ils sont collectés pour être recyclés dans des centres spécialisés. Consultez les autorités locales ou votre revendeur pour obtenir des renseignements sur l'organisation de la collecte.

# EC Déclaration de Conformité



FR

Nous : **HYUNDAI Corporation Holdings Europe**  
Am Kronberger Hang 2A, 65824, Schwalbach am Taunus  
Germany

Déclarons que le produit détaillé ci-dessous :  
**Scie circulaire sans fil**

**MODÈLE : CS20S-165**  
**FONCTION : La coupe de matériaux différents avec une lame dentée  
tournante**

Satisfait les exigences des directives du Conseil :  
2006/42/EC, 2011/65/EU & (EU)2015/863, 2014/30/EU

Les normes sont conformes à :  
EN 62841-1, EN IEC 62841-2-5,  
EN IEC 55014-1, EN IEC 55014-2,  
EN IEC 63000

La personne autorisée à constituer le dossier technique,  
Nom : **Hyundae Kim**  
Adresse : **HYUNDAI Corporation Holdings Europe**  
**65824 Schwalbach am Taunus, Germany**

Directeur général

Jaiwon Hur

Chef de projet

Sungwoo Hong

Date : 2024.09.25

## SEGA CIRCOLARE A BATTERIA

# ISTRUZIONI ORIGINALI SICUREZZA DEL PRODOTTO AVVISI GENERALI PER LA SICUREZZA DEGLI UTENSILI A MOTORE

**!** **AVVERTENZA!** Leggere tutte le avvertenze di sicurezza, le istruzioni, le illustrazioni e le specifiche fornite con questo elettroutensile. La mancata osservanza delle istruzioni elencate di seguito potrebbe provocare una scossa elettrica, un incendio e/o lesioni gravi.

Conservare tutti gli avvisi e le istruzioni per poterli consultare quando necessario.

Il termine «elettrodomestico elettrico» utilizzato di seguito in questo manuale si riferisce a utensili elettrici alimentati dalla rete (con linea di allacciamento), oltre che ad utensili elettrici alimentati a batteria (senza linea di allacciamento).

### 1. POSTO DI LAVORO

- Mantenere pulito ed ordinato il posto di lavoro. Il disordine e le zone di lavoro non illuminate possono essere fonte di incidenti.
- Evitare d'impiegare l'utensile in ambienti soggetti al rischio di esplosioni nei quali si trovino liquidi, gas o polveri infiammabili. Gli utensili elettrici producono scintille che possono far infiammare la polvere o i gas.
- Mantenere lontani i bambini ed altre persone durante l'impiego dell'utensile elettrico. Eventuali distrazioni potranno comportare la perdita del controllo sull'utensile.

### 2. SICUREZZA ELETTRICA

- La spina per la presa di corrente dovrà essere adatta alla presa. Evitare assolutamente di apportare modifiche alla spina. Non impiegare spine adattatrici assieme ad utensili con collegamento a terra. Le spine non modificate e le prese adatte allo scopo riducono il rischio di scosse elettriche.
- Evitare il contatto fisico con superfici collegate a terra, come tubi, riscaldamenti, cucine elettriche e frigoriferi. Sussiste un maggior rischio di scosse elettriche nel

momento in cui il corpo è messo a massa.

- Custodire l'utensile al riparo dalla pioggia o dall'umidità. L'eventuale infiltrazione di acqua in un utensile elettrico va ad aumentare il rischio d'insorgenza di scosse elettriche.
- Non usare il cavo per scopi diversi da quelli previsti al fine di trasportare o appendere l'apparecchio, oppure di togliere la spina dalla presa di corrente. Mantenere l'utensile al riparo da fonti di calore, dall'olio, dagli spigolosi da parti di strumenti in movimento. I cavi danneggiati o aggrovigliati aumentano il rischio d'insorgenza di scosse elettriche.
- Qualora si voglia usare l'utensile all'aperto, impiegare solo ed esclusivamente cavi di prolunga omologati per l'impiego all'esterno. L'uso di un cavo di prolunga omologato per l'impiego all'esterno riduce il rischio d'insorgenza di scosse elettriche.
- Se si deve utilizzare l'utensile a motore in un luogo umido, utilizzare una fonte di alimentazione con protezione a corrente residua. L'uso di un dispositivo a corrente residua riduce il rischio di folgorazioni elettriche.

### 3. SICUREZZA DELLE PERSONE

- È importante concentrarsi su ciò che si sta facendo e a maneggiare con giudizio l'utensile elettrico durante le operazioni di lavoro. Non utilizzare l'utensile in caso di stanchezza o sotto l'effetto di droghe, bevande alcoliche e medicinali. Un attimo di distrazione durante l'uso dell'utensile potrà causare lesioni gravi.
- Indossare sempre equipaggiamento protettivo individuale, nonché guanti protettivi. Se si avrà cura d'indossare equipaggiamento protettivo individuale come la maschera antipolvere, la calzatura antidrucciolevole di sicurezza, il casco protettivo o la protezione dell'udito, a seconda dell'impiego previsto per l'utensile elettrico, si potrà ridurre il rischio di ferite.
- Evitare avviamenti involontari. Controllare che l'interruttore sia nella posizione off prima di effettuare il collegamento a una sorgente di alimentazione/batteria, e prima di sollevare o trasportare l'utensile. Il fatto di tenere il dito sopra all'interruttore o di collegare l'utensile acceso all'alimentazione di corrente potrà

*essere causa di incidenti.*

- d) Togliere gli attrezzi di regolazione o la chiave inglese prima di accendere l'utensile. *Un utensile o una chiave inglese che si trovino in una parte di strumento in rotazione potranno causare lesioni.*
- e) È importante non sopravvalutarsi. Avere cura di mettersi in posizione sicura e di mantenere l'equilibrio. *In tale maniera sarà possibile controllare meglio l'apparecchio in situazioni inaspettate.*
- f) Indossare vestiti adeguati. Evitare di indossare vestiti lenti o gioielli. Tenere i capelli, i vestiti ed i guanti lontani da pezzi in movimento. *Vestiti lenti, gioielli o capelli lunghi potranno impigliarsi in pezzi in movimento.*
- g) Se sussiste la possibilità di montare dispositivi di aspirazione o di captazione della polvere, assicurarsi che gli stessi siano stati installati correttamente e vengano utilizzati senza errori. *L'impiego dei suddetti dispositivi diminuisce il pericolo rappresentato dalla polvere.*
- h) Non lasciare che la familiarità acquisita con l'utilizzo frequente dell'elettrotensile si trasformi in autocompiacimento e trascuratezza dei principi di sicurezza. *Un'azione imprudente può causare lesioni gravi entro una frazione di secondo.*

#### 4. MANEGGIO E IMPIEGO ACCURATO DI ELETTROUTENSILI

- a) Non sovraccaricare l'elettrotensile. *Impiegare l'elettrotensile adatto per eseguire il lavoro. Utilizzando l'elettrotensile elettrico adatto si potrà lavorare meglio e con maggior sicurezza nell'ambito della gamma di potenza indicata.*
- b) Non utilizzare elettrotensili con interruttori difettosi. *Un elettrotensile che non si può più accendere o spegnere è pericoloso e dovrà essere riparato.*
- c) Staccare la spina dalla presa di corrente e/o rimuovere la batteria, se rimovibile, dall'elettrotensile prima di effettuare qualsiasi regolazione, sostituire gli accessori o riporre gli utensili elettrici. *Tale precauzione eviterà che la macchina possa essere messa in funzione inavvertitamente.*
- d) Custodire gli elettrotensili non utilizzati fuori

della portata dei bambini. Non fare usare l'apparecchio a persone non abituate a farlo o che non abbiano letto le presenti istruzioni. *Gli elettrotensili sono pericolosi se utilizzati da persone inesperte.*

- e) Eseguire la manutenzione dell'elettrotensile e accessori. Verificare che le parti mobili dell'elettrotensile funzionino perfettamente e non s'incastrino, che non ci siano pezzi rotti o danneggiati al punto tale da limitare la funzione della macchina stessa. Far riparare le parti danneggiate prima di utilizzare l'elettrotensile. *Numerosi incidenti vengono causati da elettrotensili la cui manutenzione è stata effettuata in modo poco accurato.*
  - f) Mantenere affilati e puliti gli utensili da taglio. *Gli utensili da taglio curati con particolare attenzione e con taglienti affilati s'incastrano meno di frequente e sono più facili da condurre.*
  - g) Utilizzare elettrotensili, accessori, attrezzi, ecc. in conformità con le presenti istruzioni e secondo quanto previsto per questo tipo specifico di macchina. Osservare le condizioni di lavoro e il lavoro da eseguire durante l'impiego. *L'impiego di elettrotensili per usi diversi da quelli consentiti potrà dar luogo a situazioni di pericolo.*
  - h) Mantenere le impugnature e le superfici di presa asciutte, pulite e prive di olio e grasso. *Le impugnature e le superfici di presa scivolose non permettono l'uso e il controllo sicuri dell'elettrotensile in situazioni impreviste.*
- #### 5. MANEGGIO E IMPIEGO ACCURATO DELLE BATTERIE
- a) Caricare la batteria solo ed esclusivamente con i dispositivi di carica consigliati dal produttore. *Per un dispositivo di carica previsto per un determinato tipo di batteria, sussiste pericolo di incendio, se utilizzato con una batteria di tipo diverso.*
  - b) Utilizzare negli elettrotensili elettrici solo ed esclusivamente le batterie previste per tale scopo. *L'uso di batterie di tipo diverso potrebbe dare insorgenza a lesioni a persone e comportare il rischio d'incendi.*
  - c) Tenere la batteria non utilizzata lontano da graffette, monete, chiavi, chiodi, viti o altri oggetti in metallo di piccole dimensioni che

## SEGA CIRCOLARE A BATTERIA

potrebbero causare un ponte tra i contatti.


*Un eventuale cortocircuito tra i contatti della batteria può dare origine a bruciature o ad incendi.*

- d) In caso di impiego sbagliato, possono verificarsi fuoriuscite di liquido dalla batteria. Evitarne il contatto. In caso di contatto casuale, sciacquare con acqua. Qualora il liquido dovesse entrare in contatto con gli occhi, chiedere immediato consiglio a un medico. *Il liquido fuoriuscito dalla batteria può causare irritazioni cutanee o bruciature.*
- e) Non utilizzare una batteria o un elettrotensile danneggiati o modificati. *Le batterie danneggiate o modificate potrebbero manifestare un comportamento imprevedibile con la possibilità di causare un'esplosione o un incendio.*
- f) Non esporre una batteria o un utensile al fuoco o a temperature elevate. *L'esposizione al fuoco o a una temperatura superiore a 130°C potrebbe provocare un'esplosione.*
- g) Seguire tutte le istruzioni per la carica e non caricare la batteria o l'elettrotensile a una temperatura che non rientri nell'intervallo di valori specificato nelle istruzioni. *Una ricarica effettuata in maniera scorretta o a una temperatura che non rientra nell'intervallo di valori specificato, potrebbe danneggiare la batteria aumentando il rischio d'incendio.*

### 6. ASSISTENZA

- a) Fare riparare l'apparecchio esclusivamente da personale specializzato e solo impiegando pezzi di ricambio originali. *In tal modo potrà essere salvaguardata la sicurezza dell'apparecchio.*
- b) Non riparare le batterie danneggiate. *Gli interventi di riparazione sulle batterie devono essere eseguiti dal costruttore o da fornitori di assistenza autorizzati.*

## ISTRUZIONI DI SICUREZZA PER TUTTE LE SEGHE PROCEDURE DI TAGLIO

- a)  **ATTENZIONE** Tenere le mani lontano dalla zona di taglio e dalla lama. *Tenere una*

*mano sull'impugnatura principale e l'altra mano sull'impugnatura ausiliaria, oppure sull'alloggio del motore. Se entrambe le mani tengono la sega, non possono essere tagliate dalla lama.*

- b) Non toccare la parte inferiore del pezzo in lavorazione. *La protezione non può proteggere dalla lama sulla parte inferiore del pezzo in lavorazione.*
- c) Regolare la profondità di taglio a seconda dello spessore del pezzo in lavorazione. *Sulla parte inferiore del pezzo in lavorazione deve essere visibile meno della metà del dente della lama.*
- d) Non tenere mai in mano o appoggiato alle gambe il pezzo in lavorazione. **Fissare il pezzo in lavorazione a una piattaforma stabile.** *È importante fissare il pezzo da lavorare in modo appropriato per ridurre al minimo i contatti con il corpo, inceppamenti della lama e perdite di controllo dell'elettrotensile.*
- e) Tenere l'utensile solo dalle apposite superfici, in particolare durante l'esecuzione di operazioni nelle quali l'accessorio di taglio può venire a contatto con cavi nascosti o con il cavo di alimentazione della sega stessa. *L'accessorio di taglio potrebbe venire a contatto con un cavo sotto tensione e la corrente potrebbe passare attraverso le parti metalliche dell'utensile ed esporre l'operatore al rischio di folgorazione.*
- f) Quando si eseguono tagli longitudinali, usare una guida di taglio oppure una guida di scorrimento rettilinea. *In questo modo si migliora l'accuratezza del taglio e si riducono le possibilità d'inceppamento della lama.*
- g) Usare sempre lame di dimensioni e forma corrette (romboidale piuttosto che tonda) rispetto ai fori per l'albero della sega circolare. *Le lame che non corrispondono al sistema di montaggio della sega, funzioneranno in modo anomalo e provocheranno la perdita di controllo.*
- h) Non usare mai rondelle o bulloni delle lame che siano danneggiati o inappropriati. *Le rondelle e i bulloni delle lame sono concepiti specificamente per la sega, per fornire prestazioni ottimali e sicurezza operativa.*

## ALTRE ISTRUZIONI DI SICUREZZA PER TUTTE LE SEGHE CAUSE DEI CONTRACCOLPI E ISTRUZIONI PER PREVENIRLI

- I contraccolpi sono reazioni immediate all'incastro, inceppamento o mancato allineamento delle lame che provocano il sollevamento e l'allontanamento incontrollato dell'utensile dal pezzo in lavorazione verso l'operatore.
  - Quando la lama è incastrata o inceppata saldamente nel solco del taglio, la lama va in stallo e la reazione del motore porta la sega rapidamente verso l'operatore.
  - Se la lama si deforma o perde l'allineamento con il taglio, i denti della parte posteriore possono scavare la superficie del legno provocando la fuoriuscita della lama dal solco facendo saltare la sega verso l'operatore. I contraccolpi sono il risultato di un abuso della sega e/o di procedure o condizioni operative scorrette che possono essere evitate adottando le precauzioni appropriate riportate di seguito.
- a) **Mantenere una presa salta con entrambe le mani sulla sega e posizionare le braccia in modo da resistere alla forza del contraccolpo.** Tenersi con il corpo a lato della lama, non in linea con la stessa. *Un contraccolpo può provocare rimbalzi della sega, ma la forza del contraccolpo può essere controllata dall'operatore se sono prese le precauzioni appropriate.*
  - b) Quando la lama è inceppata, oppure quando si interrompe il taglio per qualsiasi motivo, rilasciare il grilletto e tenere ferma la sega sul materiale finché la lama si è fermata completamente. *Non tentare mai di rimuovere la sega dal pezzo in lavorazione, oppure di estrarre la sega mentre la lama è in movimento, altrimenti si verificherebbe il contraccolpo. Trovare e risolvere la causa dell'inceppamento della lama.*
  - c) Quando si riavvia la macchina sul pezzo in lavorazione, centrare la sega nel solco del taglio e verificare che i denti non siano impegnati nel materiale. *Se la lama è inceppata, potrebbe scattare in avanti o rimbalzare dal pezzo in lavorazione appena viene riavviata la sega.*
  - d) Fissare i pannelli di grandi dimensioni per ridurre al minimo il rischio di inceppamenti della lama e di contraccolpi. I pannelli di grandi dimensioni tendono a crollare sotto il loro stesso peso. *Devono essere collocati dei supporti sotto entrambi i lati dei pannelli, vicino alla linea di taglio e sui lati del pannello.*
  - e) **Non usare lame spuntate o danneggiate.** *Lame spuntate o installate in modo inappropriato, producono solchi ridotti che causano una eccessiva frizione, l'inceppamento della lama ed il contraccolpo.*
  - f) **Prima di eseguire il taglio, le leve di blocco della profondità di taglio e del taglio a bisello devono essere strette e bloccate.** *Se la regolazione della lama si sposta durante il taglio, si verifica un inceppamento della lama e il contraccolpo.*
  - g) **Usare particolare attenzione quando si eseguono tagli su pareti o altre zone cieche.** *La lama potrebbe tagliare oggetti che provocano contraccolpi.*

## ISTRUZIONI DI SICUREZZA PER SEGA CIRCOLARE CON PROTEZIONE INTERNA DEL PENDOLO FUNZIONE DI PROTEZIONE INFERIORE

- a) Prima di ogni uso verificare che la protezione inferiore si chiuda in modo appropriato. Non usare la sega se la protezione inferiore non si muove liberamente e non si chiude istantaneamente. Non fissare né legare mai la protezione inferiore in posizione di apertura. *Se la sega viene fatta cadere accidentalmente, la protezione inferiore può deformarsi. Sollevare la protezione inferiore*

## SEGA CIRCOLARE A BATTERIA

con l'impugnatura retrattile e assicurarsi che si muova liberamente e non tocchi la lama o altre parti, in tutte le angolazioni e profondità di taglio.

- b) Controllare il funzionamento della molla della protezione inferiore. Se la protezione e la molla non funzionano in modo appropriato, devono essere riparate prima dell'uso. *La protezione inferiore può funzionare in modo rallentato a causa di parti danneggiate, depositi gommosi o un accumulo di sporcizia.*
- c) La protezione inferiore deve essere aperta manualmente solamente per tagli speciali come i "tagli ad affondo" ed i "tagli complessi". Sollevare la protezione inferiore usando l'impugnatura retrattile che deve essere abbassata quando la lama affonda nel materiale. *Per tutti gli altri tagli, la protezione inferiore deve sempre funzionare automaticamente.*
- d) Accertarsi sempre che la protezione inferiore copra la lama prima di appoggiare la sega su mobili o sul pavimento. Questo eviterà di danneggiare i mobili o il pavimento. *Prestare attenzione al tempo che impiega la lama per fermarsi dopo avere rilasciato l'interruttore.*

## SIMBOLI



Per ridurre il rischio di lesioni, l'utente deve leggere il manuale di istruzioni



Avvertenza



Indossare protezione per le orecchie



Indossare protezione per gli occhi



Indossare una mascherina antipolvere



I prodotti elettrici non possono essere gettati tra i rifiuti domestici.

L'apparecchio da rottamare deve essere portato al centro di riciclaggio per un corretto trattamento.



Controllare con le autorità locali o con il rivenditore per localizzare il centro di riciclaggio più vicino.

## ALTRE ISTRUZIONI DI SICUREZZA PER LA SEGA CIRCOLARE

1. Utilizzare esclusivamente lame raccomandate dal produttore, conformi alla norma EN 847-1, se intese per tagliare il legno e materiali analoghi.
2. Non usare alcun tipo di disco abrasivo.
3. Usare esclusivamente lame con diametro conforme a quello contrassegnato.
4. Identificare la lama corretta per il materiale da tagliare.
5. Utilizzare esclusivamente lame sulle quali è marcata una velocità uguale o maggiore alla velocità marcata sulla sega.

## ELENCO DEI COMPONENTI

1. BATTERIA*
2. PULSANTE DI RILASCIO DELLA BATTERIA*
3. MANIGLIA
4. INTERRUTTORE ON/OFF
5. PULSANTE DI BLOCCO
6. MANIGLIA ANTERIORE
7. PIASTRA BASE
8. GUIDA PARALLELA
9. LAMA DA SEGA
10. COPRILAMA INFERIORE
11. VITE PER LAMA
12. LEVA DI RILASCIO DEL COPRILAMA INFERIORE
13. ADATTATORE PER ASPIRAZIONE
14. PULSANTE DI BLOCCAGGIO DELL'ALBERO (VEDI FIG. A1)
15. FLANGIA INTERNA (VEDI FIG. A3)
16. FLANGIA ESTERNA (VEDI FIG. A3)
17. LEVA DI BLOCCAGGIO DELLA PROFONDITÀ DI TAGLIO (VEDI FIG. B)
18. LEVA DI BLOCCAGGIO DELL'INCLINAZIONE DELLA PIASTRA BASE (VEDI FIG. C1)
19. VITE DI BLOCCAGGIO DELLA GUIDA PARALLELA (VEDI FIG. G)
20. CHIAVE ESAGONALE (VEDI FIG. I)
21. LUCE LED (VEDI FIG. J)

\* Non tutti gli accessori illustrati o descritti sono inclusi nella consegna standard.

## DATI TECNICI

Tipo CS20S-165 (20S-165-designazione del macchinario, rappresentante della sega circolare)

Voltaggio		18V $\overline{\text{---}}$ (20V Max.)
Velocità a vuoto		4500/min
Dimensione della lama		165mm
Dimensione del foro		20mm
Capacità di smusso		0-50°
Capacità di taglio:	Profondità di taglio a 90°	55mm
	Profondità di taglio a 45°	38mm
Peso della macchina (senza batteria)		2.44kg



## SEGA CIRCOLARE A BATTERIA

### PACCHI BATTERIA ADATTI

Numero di articolo	BI20-2	BI20-4
Capacità della batteria	2.0Ah	4.0Ah
	Non incluso	Raccomandato (non incluso)

### CARICABATTERIE ADATTI

Numero di articolo	C20-2	C20-4
Input di caricabatterie	100-240V~50/60Hz, 55W	100-240V~50/60Hz, 95W
Output di caricabatterie	20V $\overline{=}$ 2.0A	20V $\overline{=}$ 4.0A
Tempo di ricarica (approssimativo)	1hr (2.0 Ah) 2hrs (4.0 Ah)	30mins (2.0 Ah) 60mins (4.0 Ah)
Classe di protezione del caricabatterie	$\square$ /II	$\square$ /II
	Non incluso	Non incluso

### INFORMAZIONI SUL RUMORE

Pressione acustica ponderata:  $L_{pA}$ : 90.1 dB (A)  $K_{pA}$ = 3 dB(A)

Potenza acustica ponderata:  $L_{wA}$ : 98.1 dB (A)  $K_{wA}$ = 3 dB(A)

Indossare protezione per le orecchie.

### INFORMAZIONI SULLA VIBRAZIONE

I valori totali di vibrazione (somma vettoriale triassiale) sono determinati secondo lo standard EN 62841:	
Taglio del legno	Valore emissione vibrazioni: $a_{n,W} = 2.778m/s^2$
	Incertezza K = 1.5m/s <sup>2</sup>

Il valore totale di emissione di vibrazioni dichiarato e il valore di emissioni sonore dichiarati sono stati misurati in base a un metodo di collaudo standard e possono essere utilizzati per il confronto di un utensile con un altro.

Il valore totale di emissione di vibrazioni dichiarato e il valore di emissioni sonore dichiarato possono anche essere utilizzati in una valutazione preliminare dell'esposizione.

**⚠ AVVERTENZA!** le emissioni di vibrazioni e sonore durante l'uso effettivo dell'elettro utensile possono differire dal valore dichiarato in base alle modalità con cui esso viene utilizzato. In particolare quale tipo di pezzo viene lavorato dipende dai seguenti fattori e da altre variazioni sulle modalità di utilizzo dell'elettro utensile:

Come viene usato l'elettro utensile e quali sono i materiali tagliati o forati.

Le condizioni e la buona manutenzione dell'elettro utensile.

L'uso dell'accessorio corretto per il taglio e la sua affilatura, nonché le sue buone condizioni.

La tenuta della presa sulle impugnature e se vengono utilizzati eventuali accessori antivibrazioni e anturumore.

L'adeguatezza dell'utilizzo dell'elettro utensile rispetto a quanto previsto.

**Questo elettro utensile potrebbe causare l'insorgenza della sindrome della vibrazione dell'avambraccio se il suo utilizzo non viene gestito correttamente.**



**AVVERTENZA!** per essere precisi, una stima del livello di esposizione nelle attuali condizioni di utilizzo dovrebbe anche tenere conto di tutte le parti del ciclo operativo, come le volte in cui lo strumento viene spento e il tempo in cui viene lasciato girare a vuoto senza realmente fare il suo lavoro. Questo potrebbe ridurre significativamente il livello di esposizione sul periodo di lavoro totale.

Aiuto a minimizzare il rischio di esposizione alle vibrazioni e al rumore.

Usare sempre scalpelli, trapani e lame affilati.

Conservare questo elettro utensile sempre in conformità a queste istruzioni e mantenerlo ben lubrificato (dove appropriato).

Se l'utensile deve essere utilizzato regolarmente, investire in accessori antivibrazioni e antirumore. Pianificare il lavoro in modo da suddividere i lavori che implicano le maggiori vibrazioni nell'arco di più giorni.

IT

## ACCESSORI

Lama per legno	1
Adattatore per aspirapolvere (32 mm)	1
Tubo antipolvere (35 mm)	1
Chiave esagonale	1
Guida parallela	1

Si consiglia di acquistare accessori dal negozio in cui viene venduto l'utensile. Per informazioni più dettagliate, consultare la confezione degli accessori. Il personale del negozio può aiutarti con consigli.

## SEGA CIRCOLARE A BATTERIA

### ISTRUZIONI PER L'USO



**NOTA:** Leggere attentamente il manuale di istruzioni prima di utilizzare l'utensile.

#### USO PREVISTO

La macchina è destinata all'uso domestico e per applicazioni domestiche. È particolarmente utile per rifilare compensato e materiali simili in lastre. **NON** è adatta per lame o dischi da taglio metallico.

#### PRIMA DI METTERE IN FUNZIONE

##### 1. MONTAGGIO/CAMBIO DI UNA LAMA

Pericolo di lesioni in caso di contatto con la lama del segaccio.

Utilizzare solo lame che corrispondano ai dati delle specifiche tecniche per questo utensile. Non utilizzare in nessun caso dischi da taglio come utensili di taglio.

Per cambiare la lama del segaccio, è meglio posizionare la macchina con la testa motore su una superficie piatta con la zona della lama e del proteggi-lama rivolta verso l'alto.

##### - Rimozione della lama del segaccio:

Premere il pulsante di blocco del mandrino e tenerlo premuto.

Allentare le vite della lama in senso orario con la chiave esagonale. Rimuovere la flangia esterna. Utilizzando la leva del proteggi-lama inferiore, inclinare indietro il proteggi-lama inferiore e tenerlo saldamente in questa posizione. Rimuovere la lama del segaccio.

(Vedi Fig.A1, A2)

##### - Montaggio della lama sega (Vedi Fig. A3):

Utilizzando la leva del proteggi-lama inferiore, inclinare indietro il proteggi-lama inferiore e tenerlo saldamente in questa posizione.

Posizionare la lama della sega sull'anello interno. Assicurarsi che la direzione dei denti taglienti sulla lama della sega corrisponda alla direzione dell'indicatore di rotazione della lama. Posizionare l'anello esterno sulla lama, quindi inserire il bullone della lama. Premere il pulsante di blocco dell'albero motore per bloccare l'albero motore, quindi utilizzare la chiave esagonale per stringere il bullone della lama in senso antiorario con 1/4 di giro in più

rispetto alla stretta con le dita.

**NOTA:** Fare attenzione che le posizioni di montaggio dell'anello interno e dell'anello esterno siano corrette.



**ATTENZIONE:** I denti della lama sono molto affilati. Per ottenere i migliori risultati di taglio, assicurarsi di utilizzare una lama adatta al materiale e alla qualità di taglio desiderata.

#### 2. REGOLAZIONE DELLA PROFONDITÀ DI TAGLIO (VEDI FIG. B)

Ruotare la manopola di blocco della profondità di taglio in senso antiorario per allentare e sollevare il corpo della sega dalla piastra di base.

Impostare la profondità di taglio desiderata allineando il simbolo triangolare con la scala di profondità di taglio contrassegnata sul retro del proteggi-lama fisso. Quindi, ruotare la manopola di blocco della profondità di taglio in senso orario per bloccare il corpo della sega e la piastra di base.

Aggiungere sempre 3 mm alla profondità di taglio in modo che la lama possa tagliare il materiale.

**NOTA:** È meglio fare una prova di taglio prima di tagliare il pezzo di lavoro.

#### 3. REGOLAZIONE DELL'ANGOLO DELLA PIASTRA DI BASE (VEDI FIG. C1, C2)

Ruotare la leva di bloccaggio dell'angolo della piastra di base in senso antiorario per allentare la scala dell'angolo. Inclinare la piastra di base lontano dalla macchina. Impostare l'angolo di inclinazione desiderato allineando il simbolo triangolare con la scala dell'angolo della piastra di base. Stringere il bloccaggio dell'angolo ruotandolo in senso orario. Non utilizzare la scala di profondità di taglio durante i tagli obliqui a causa della possibile inaccuratezza.

#### 4. USCITA PER L'ASPIRAZIONE DELLA POLVERE (VEDI FIG. D)

Fissare l'adattatore per l'aspirazione alla protezione fissa con la vite. Collegare direttamente un tubo flessibile per aspirapolvere adatto all'adattatore.

**NOTA:** L'adattatore per l'aspirazione non deve essere montato quando non è collegata alcuna aspirazione esterna della polvere.

Altrimenti c'è il pericolo che il sistema di aspirazione si otturi.

Pulire regolarmente l'adattatore per l'aspirazione per garantire un'aspirazione ottimale della polvere. L'aspirapolvere deve essere adatto al materiale da lavorare.

#### 5. PER RIMUOVERE O INSTALLARE IL PACCO BATTERIA (NON INCLUSO) (VEDEI FIG. E1, E2)

Per rimuovere il pacco batteria, premere prima saldamente il pulsante di rilascio del pacco batteria, quindi far scorrere il pacco batteria fuori dallo strumento.

Per installare il pacco batteria, far scorrere il pacco batteria completamente carico sull'utensile con la forza sufficiente fino a quando non si incastra in posizione.

#### OPERAZIONE



**ATTENZIONE!** Prima di effettuare qualsiasi manutenzione o regolazione, assicurarsi che la sega sia spenta e che la batteria sia rimossa. Indossare guanti protettivi durante il montaggio della lama della sega.

#### 1. POSIZIONE DELL'IMPUGNATURA

Tenere sempre saldamente la sega con entrambe le mani durante l'uso.

#### 2. INTERRUOTTORE DI SICUREZZA ON/OFF (VEDI FIG. F)

Quando il pulsante di blocco è in posizione neutra, l'interruttore è bloccato. Premere il pulsante di blocco a sinistra o a destra, quindi premere l'interruttore on/off, la macchina si avvia. Per spegnere la macchina, rilasciare l'interruttore, il pulsante di blocco è in posizione neutra, e la macchina si ferma. La tua sega è dotata di un freno elettrico automatico progettato per fermare la lama dal coasting in circa tre secondi, dopo aver rilasciato l'interruttore di scatto.

È utile quando si effettuano determinati tagli nel legno dove una lama in coasting darebbe come risultato un taglio ampio e impreciso.



**ATTENZIONE:** Attendere che la macchina si fermi completamente prima di posizionarla.

#### 3. REGOLAZIONE DELLA GUIDA PARALLELA (VEDI FIG. G)

Viene utilizzata per effettuare tagli paralleli al bordo del pezzo a una distanza scelta. In primo luogo, girare la vite di blocco della guida parallela in senso antiorario per allentare, quindi far scorrere il braccio della guida parallela attraverso lo spazio per ottenere la distanza di taglio desiderata, quindi girare la vite di blocco in senso orario per fissare saldamente la guida parallela.

**NOTA:** È consigliabile effettuare un taglio di prova.

#### 4. GUIDA DI TAGLIO (VEDI FIG. H1, H2)

Sulla parte anteriore della piastra di base c'è una tacca di segnatura per l'uso con una guida parallela. Per tagli retti, utilizzare il segno di taglio a 0° per allineare con la scala della guida parallela. Per un taglio bisellato di 45°, utilizzare il segno di taglio a 45° per allineare con la scala della guida parallela. Fissare saldamente la guida parallela. Effettuare sempre un taglio di prova per verificare le impostazioni.

#### 5. TAGLI IN INCLINAZIONE

Impostare l'angolo di inclinazione richiesto tra 0° e 45°. Non utilizzare la scala di profondità di taglio durante i tagli in inclinazione a causa della possibile imprecisione.

#### 6. CONTENITORE PER CHIAVE ESAGONALE (VEDI FIG. I)

La chiave esagonale fornita può essere posizionata sulla piastra di base sotto il corpo motore e accanto alla manopola di blocco della guida parallela.

#### 7. LUCE A LED (VEDI FIG. J)

Questo strumento è dotato di una luce a LED alimentata che si accende quando la sega viene inserita nel pacco batteria. Indica che lo strumento è attivato e aumenta la visibilità, molto utile per aree buie o chiuse.

## SEGA CIRCOLARE A BATTERIA

### SUGGERIMENTI PER L'UTILIZZO DELLA SEGATRICE CIRCOLARE

Se il tuo utensile elettrico diventa troppo caldo, fai funzionare la tua sega circolare senza carico per 2-3 minuti per raffreddare il motore. Evita un utilizzo prolungato a velocità molto basse. Utilizza sempre una lama adatta al materiale e allo spessore del materiale da tagliare. La qualità del taglio migliorerà con l'aumento del numero di denti della lama.

Assicurati sempre che il pezzo da lavorare sia saldamente tenuto o bloccato per evitare movimenti. Supporta i pannelli grandi vicino alla linea di taglio. Qualsiasi movimento del materiale potrebbe influire sulla qualità del taglio. La lama taglia nella corsa ascendente e potrebbe scheggiare la superficie superiore o i bordi del pezzo da lavorare.

Quando tagli, assicurati che la superficie superiore sia una superficie non visibile al termine del lavoro. Alimentare troppo rapidamente riduce significativamente le prestazioni della macchina e accorcia la durata della lama della sega. Rivolgi sempre il lato buono del pezzo verso il basso, per garantire il minimo sfaldamento.

Utilizza solo lame di sega affilate del tipo corretto.

### MANUTENZIONE

Rimuovere il pacco batteria dall'utensile prima di eseguire qualsiasi regolazione, riparazione o manutenzione.

L'attrezzo non richiede lubrificazione o manutenzione aggiuntiva. All'interno dell'attrezzo non ci sono parti riparabili da parte dell'utente. Non usare mai acqua o detergenti chimici per pulire l'attrezzo. Pulire con un panno asciutto. Conservare sempre gli attrezzi elettrici in luoghi asciutti. Tenere pulite le aperture di ventilazione del motore. Tenere puliti dalla polvere tutti i controlli operativi. La formazione di scintille all'interno delle aperture di ventilazione, è un fenomeno normale che non crea danni all'attrezzo.

### TUTELA AMBIENTALE



I prodotti elettrici non possono essere gettati tra i rifiuti domestici. L'apparecchio da rottamare deve essere portato al centro di riciclaggio per un corretto trattamento. Controllare con le autorità locali o con il rivenditore per localizzare il centro di riciclaggio più vicino.

# EC Dichiarazione di Conformità



Noi :

**HYUNDAI Corporation Holdings Europe**  
Am Kronberger Hang 2A, 65824, Schwalbach am Taunus  
Germany

Dichiariamo che il prodotto dettagliato di seguito :  
**Sega circolare a batteria**

**MODELLO : CS20S-165**  
**FUNZIONE : Taglio di diversi materiali, con una lama rotante dentata**

Soddisfa i requisiti delle direttive del Consiglio :  
2006/42/EC, 2011/65/EU & (EU)2015/863, 2014/30/EU

Gli standard conformano alla :  
EN 62841-1, EN IEC 62841-2-5,  
EN IEC 55014-1, EN IEC 55014-2,  
EN IEC 63000

La persona autorizzata a costituire il fascicolo tecnico,  
Nome : **Hyundae Kim**  
Indirizzo : **HYUNDAI Corporation Holdings Europe**  
**65824 Schwalbach am Taunus, Germany**

Direttore generale

Jaiwon Hur


Responsabile del progetto

Sungwoo Hong

Date : 2024.09.25

## SIERRA CIRCULAR A BATERÍA

# MANUAL ORIGINAL SEGURIDAD DEL PRODUCTO ADVERTENCIAS DE SEGURIDAD GENERALES SOBRE HERRAMIENTAS ELÉCTRICAS

 **ADVERTENCIA!** Lea todas las advertencias de seguridad, instrucciones, ilustraciones y especificaciones que acompañan a esta herramienta eléctrica. *Si no se respetan todas las instrucciones que se indican abajo, podría producirse una descarga eléctrica, un incendio o alguien podría resultar herido de gravedad.*

Conserve todas las advertencias e instrucciones para futuras consultas.

El término "herramienta eléctrica" en todas las advertencias siguientes corresponde a la herramienta eléctrica con o sin cable.

### 1. ZONA DE TRABAJO

- a) Mantener su lugar de trabajo limpio y bien iluminado. *Bancos de trabajo desordenados y lugares oscuros invitan a los accidentes.*
- b) No utilizar herramientas eléctricas en atmósferas explosivas, como por ejemplo en presencia de líquidos inflamables, gases o polvo. *Las herramientas eléctricas crean chispas que pueden encender el polvo o los vapores.*
- c) Mantener alejados a los niños y visitantes mientras opera una herramienta eléctrica. *Las distracciones pueden hacerle perder el control.*

### 2. SEGURIDAD ELÉCTRICA

- a) Los enchufes de la herramienta eléctrica deben encajar perfectamente en el tomacorriente. Nunca modificar el enchufe de ninguna manera. *No utilizar adaptadores con herramientas eléctricas conectadas a tierra. Los enchufes no modificados y los que encajan perfectamente en el tomacorriente reducirán el riesgo de descarga eléctrica.*
- b) Evitar el contacto del cuerpo con superficies

conectadas a tierra tales como caños, radiadores, cocinas y heladeras. *Existe un riesgo creciente de descarga eléctrica si su cuerpo queda conectado a tierra.*

- c) No exponer las herramientas eléctricas a la lluvia y no guardar en lugares húmedos. *El agua que penetra en ellas aumentará el riesgo de una descarga eléctrica.*
- d) No abusar del cable. Nunca utilizar el cable para transportar, tirar o desenchufar la herramienta eléctrica. *Mantener el cable alejado del calor, del aceite, de bordes agudos o piezas móviles. Los cables dañados o enredados aumentan el riesgo de descarga eléctrica.*
- e) Cuando utilice su herramienta eléctrica al aire libre, emplear un prolongador apto para uso en exteriores. *El empleo de cables para uso al aire libre reduce el riesgo de descarga eléctrica.*
- f) Si es necesario utilizar la herramienta motorizada en un lugar muy húmedo, utilice una fuente de alimentación con dispositivo de corriente residual (RCD). *El uso de un RCD reduce el riesgo de descarga eléctrica.*

### 3. SEGURIDAD PERSONAL

- a) Mantenerse alerta, poner atención en lo que está haciendo y utilice el sentido común mientras opera una herramienta eléctrica. No emplear la herramienta cuando se encuentre cansado o bajo la influencia de drogas, alcohol o medicación. *Un momento de falta de atención durante el manejo de herramientas eléctricas puede dar lugar a daños corporales serios.*
- b) Utilizar equipo de seguridad. Usar siempre protección ocular. *Equipo de seguridad como máscaras contra el polvo, zapatos antideslizantes de seguridad, sombrero o protección auditiva para condiciones apropiadas reducirá daños corporales.*
- c) Evite el arranque accidental. Asegúrese de que el interruptor se encuentra desactivado antes de enchufar la máquina o colocar la batería, al tomar la herramienta o transportarla. *Transportar herramientas con el dedo en el interruptor o enchufar la herramienta cuando el interruptor está encendido invitan a los accidentes.*

- d) Retire llaves de ajuste o llaves inglesas antes de poner la herramienta en funcionamiento. *Una llave que queda unida a una pieza móvil de la herramienta puede originar daños corporales.*
- e) No extralimitarse. Mantenerse firme y con buen equilibrio en todo momento. *Esto permite un mejor control de la herramienta en situaciones inesperadas.*
- f) Vestirse apropiadamente. No usar ropa suelta ni alhajas. Mantenga el pelo, la ropa y los guantes alejados de las piezas en movimiento. *La ropa suelta, las alhajas o el cabello largo pueden ser atrapados por las piezas móviles.*
- g) Si se proporcionan dispositivos para la extracción y recolección de polvo, asegurarse de que estos estén conectados y utilizados correctamente. *El uso de estos dispositivos puede reducir peligros relacionados con el polvo.*
- h) No permita que el hecho de estar familiarizado con el uso de herramientas le haga volverse descuidado o ignorar las normas de seguridad. *La falta de atención puede provocar heridas graves en una fracción de segundo.*

#### 4. MANTENIMIENTO DE LA HERRAMIENTA MOTORIZADA

- a) No forzar la herramienta eléctrica. Utilizar la herramienta eléctrica correcta para su aplicación. *La herramienta eléctrica correcta hará el trabajo mejor y más seguro a la velocidad para la cual fue diseñada.*
- b) No utilizar la herramienta eléctrica si el interruptor no la enciende o apaga. *Cualquier herramienta eléctrica que no pueda ser controlada con el interruptor es peligrosa y debe ser reparada.*
- c) Desconecte la clavija de la fuente de alimentación o extraiga la batería (si es desmontable) de la herramienta eléctrica antes de realizar cualquier ajuste, cambiar los accesorios o guardar la herramienta. *Tales medidas de seguridad preventivas reducen el riesgo de arranque accidental de la herramienta.*
- d) Mantener las herramientas eléctricas que no usa fuera del alcance de los niños y no

permita que personas no familiarizadas con la herramienta o con estas instrucciones maneje la herramienta eléctrica. *Las herramientas eléctricas son peligrosas en manos de usuarios inexpertos.*

- e) Realice un mantenimiento adecuado de las herramientas eléctricas y sus accesorios. Comprobar si hay desalineamiento o atascamiento de piezas móviles, rotura de piezas en general y cualquier otra condición que pueda afectar la operación normal de la herramienta. *Si se verifican daños, recurra a un servicio calificado antes de volver a usar la herramienta. Las herramientas mal mantenidas causan muchos accidentes.*
- f) Mantener las piezas de corte limpias y afiladas. *Puesto que son menos probables de atascarse y más fáciles de controlar.*
- g) Utilizar la herramienta eléctrica, accesorios y brocas etc., de acuerdo con estas instrucciones y de la manera prevista para el tipo particular de herramienta eléctrica, teniendo en cuenta las condiciones de trabajo y el trabajo a ser realizado. *El uso de la herramienta eléctrica para otras operaciones distintas de lo previsto podría dar lugar a una situación peligrosa.*
- h) Mantenga las empuñaduras y las superficies de agarre secas, limpias y sin aceite ni grasa. *Una empuñadura o una superficie de agarre resbaladiza dificultan la correcta manipulación y el control de la herramienta en situaciones imprevistas.*

#### 5. UTILIZACIÓN Y MANTENIMIENTO DE LA BATERÍA

- a) Recargar solamente con el cargador indicado por el fabricante. *Un cargador adaptado a un tipo de batería podría crear un riesgo de incendio si se utiliza con una diferente batería.*
- b) Utilizar las herramientas eléctricas solamente con baterías especialmente adaptadas. *La utilización de cualquier otra batería podría causar un riesgo de incendio o herida.*
- c) Cuando la batería no está en uso, tenerla lejos de los objetos metálicos como los trombones, las piezas de moneda, las llaves, los clavos, los tornillos, o cualquier otro pequeño objeto metálico susceptibles de establecer una conexión de un terminal



## SIERRA CIRCULAR A BATERÍA


a otra. El cortocircuito de un terminal a otra puede causar quemaduras o un incendio.

- d) Hay una fuga de líquido de la batería. Evitar todo contacto. Si entre accidentalmente en contacto con este líquido, lavar con agua limpia. En caso de contacto con los ojos, consultar a un médico. El líquido presente en las baterías puede causar irritaciones o quemaduras.
- e) No utilice una batería o una herramienta que estén dañadas o hayan sido modificadas. Las baterías dañadas y modificadas pueden comportarse de forma imprevisible y provocar un incendio, una explosión o herir a alguien.
- f) No arroje una batería o herramienta al fuego ni las exponga a una temperatura excesiva. La exposición al fuego y a temperaturas superiores a 130 °C puede provocar una explosión.
- g) Respete todas las instrucciones de carga y no cargue la batería o la herramienta fuera del rango de temperatura especificado en las instrucciones. Una carga inadecuada o a una temperatura fuera del rango especificado puede ocasionar daños en la batería y aumentar el riesgo de incendio.

### 6. REPARACIÓN

- a) Permitir que el mantenimiento de su herramienta eléctrica sea efectuado por una persona calificada usando solamente piezas de recambio idénticas. Esto es primordial para mantener la seguridad de la herramienta eléctrica.
- b) No intente reparar nunca una batería dañada. Cualquier intervención técnica en una batería debe ser realizada exclusivamente por el fabricante o por un servicio técnico autorizado.

## INSTRUCCIONES DE SEGURIDAD PARA TODAS LAS SIERRAS PROCEDIMIENTOS DE SERRADO

- a)  **ADVERTENCIA:** Colocar las manos lejos de la superficie de corte y del disco. Tener la segunda mano en el pomo frontal. Si ambas manos sostienen la sierra, Ud tendrá una mejor estabilidad y evitará cortarse con el disco.
- b) No pasar bajo la pieza está cortando. La cubierta protectora le protege sobre la pieza de trabajo pero no debajo de esta.
- c) Ajustar la profundidad de corte al grueso de la pieza que debe trabajar. Si el grueso de la pieza es inferior a la profundidad de corte seleccionada, Ud debe tomar precauciones, ya que el disco sobresaldrá debajo de la pieza.
- d) Nunca mantener la pieza a cortar con las manos o entre los brazos. Asegurar la pieza a trabajar en una superficie estable. Es importante fijar (asegurar) la pieza con el fin de evitar todo riesgo de herida.
- e) Sostenga la herramienta únicamente por medio de superficies aislantes, al realizar una operación en la que el accesorio de corte pueda entrar en contacto con cableado oculto o con su propio cable. Su el accesorio de corte entra en contacto con un cable "activo", podría generar una descarga hacia el usuario.
- f) Durante el corte, utilizar una guía paralela. Esto mejora la precisión del corte y evita que el disco se agarrote.
- g) Siempre utilizar discos de dimensión y diámetro interior correcto e indicados en el manual. Discos que no acaten las características de este manual, no girarán correctamente, generando una pérdida de control para el usuario.
- h) Nunca utilizar discos, arandelas o tuercas dañados o no conformes a este manual. Los discos, arandelas y tuercas deben estar en perfectas condiciones de uso.

## CONSEJOS ADICIONALES SE SEGURIDAD PARA SU SIERRA CAUSAS Y FORMA DE PREVENIR LOS ENGANCHONES O FRENADAS BRUSCAS DEL DISCO

- Este fenómeno puede ser, y debido a la mala alineación del disco, dando como resultado una pérdida de control del usuario, y un repentino y brusco tirón del disco y la herramienta hacia el usuario.
  - Es importante ser precavido con estos fenómenos con el fin de evitar todo riesgo de heridas.
  - Si el disco se frena o se alinea mal en el corte, éste corre el riesgo de reaccionar en dirección al usuario.  
Este fenómeno es el resultado de una mala utilización y/o de un mal montaje y/o de la utilización de discos no adecuados; y puede evitarse siguiendo escrupulosamente las instrucciones de este manual.
- a) Mantener firmemente la sierra con ambas manos para resistir cualquier tipo de reacción o tirón. Colocar el cuerpo con objeto de ejercer una fuerza de cada lado del disco y no en alineación con él. *La reacción de disco hacia el usuario puede evitarse tomando las precauciones necesarias.*
  - b) Cuando detenga el corte, suelte primero el interruptor y mantenga la sierra en la pieza hasta que el disco se detenga completamente. *Nunca intente retirar la sierra de la pieza cuando el disco esté girando, pues podría ser sorprendido por una brusca reacción del disco y la herramienta hiriéndole seriamente. Tome las precauciones necesarias para evitar estas reacciones.*
  - c) Cuando vuelva a poner en marcha su sierra sobre una pieza, centre la cuchilla y compruebe que los dientes del disco no están en contacto con la pieza. *Si los dientes estuvieran en contacto con la pieza, el enganchón sería inevitable en el momento de la puesta en marcha.*

- d) Sostener (con ayuda de tablas...) los tabloneros amplios con el fin de evitar el pellizco y frenado del disco. *Las tablas deben colocarse debajo y a cada lado del tablón, cerca de la línea de corte y del borde del mismo.*
- e) No utilice discos gastados o dañados. *Discos mal afilados o no conformes a este manual, implican una fricción excesiva y en consecuencia un riesgo importante de enganchones.*
- f) Las palancas de bloqueo de profundidad e inclinación deben apretarse correctamente antes de emprender un corte. *Si las palancas de ajuste no se aprietan correctamente, existe un riesgo importante de pellizco del disco y su bloqueo.*
- g) Cuando realice cortes donde el grosor del material supere en radio del disco, tome las máximas precauciones en cuanto a la existencia de componentes metálicos o peligrosos en su interior que puedan ocasionar enganchones del disco.

ES

## INSTRUCCIONES DE SEGURIDAD DE LA SIERRA CIRCULAR CON PROTECCIÓN PENDULAR INTERIOR FUNCIÓN DE PROTECCIÓN INFERIOR

- a) Verifique que cubierta inferior de protección cierre apropiadamente antes de cada uso. No accione la sierra si esta no se mueve libremente ni se cierra inmediatamente. Nunca ate o fije con abrazaderas la cubierta inferior de protección en la posición abierta. Si la sierra se cae accidentalmente, la cubierta inferior puede doblarse. *Levántela con el mango retráctil y cerciórese de que se mueva libremente y que no toque el disco u otras partes en todos los ángulos y profundidades de corte.*
- b) Compruebe el funcionamiento del resorte de la cubierta inferior. Si la cubierta y el resorte no están funcionando correctamente, deben

## SIERRA CIRCULAR A BATERÍA

ser revisados por un técnico cualificado antes del uso. *La cubierta inferior puede funcionar lentamente debido a piezas dañadas, restos gomosos o acumulación de desechos.*

- c) La cubierta inferior debe ser plegada manualmente solo en casos de cortes especiales, como cortes mediante descenso vertical o cortes compuestos. *Levante la cubierta inferior por el mango retráctil y cuando el disco penetre en el material, la cubierta deberá ser soltada. Para las demás operaciones de aserrado, la cubierta inferior debe funcionar automáticamente.*
- d) Siempre verifique que la cubierta de protección inferior esté cubriendo el disco antes de colocar la sierra sobre el banco o el suelo. *Asegúrese de que el disco está montado en la posición correcta y de que el tornillo de fijación se encuentra bien apretado. Tome nota del tiempo que tarda la hoja en detenerse una vez que el interruptor ha sido apagado.*

## INSTRUCCIONES ADICIONALES DE SEGURIDAD PARA SU HERRAMIENTA

1. Utilice únicamente hojas de sierra recomendadas por el fabricante, que son conformes con EN 847-1 si está previsto su uso con madera u otros materiales similares.
2. No utilice ningún tipo de discos abrasivos.
3. Use sólo hojas de diámetro acorde con las indicaciones.
4. Identifique la hoja de sierra correcta para el material que se va a cortar.
5. Utilice únicamente hojas de sierra que estén marcadas con una velocidad igual o superior a la que está especificada en la herramienta.

## SÍMBOLOS



Para reducir el riesgo de lesión, lea el manual de instrucciones



Advertencia



Utilice protección auditiva



Utilice protección ocular



Utilice una máscara antipolvo



Los residuos de aparatos eléctricos y electrónicos no deben depositarse en la basura doméstica. Se deben reciclar en las instalaciones especializadas. Consulte a las autoridades locales o el establecimiento para saber cómo reciclar estos productos.

## LISTA DE COMPONENTES

1. PACK DE BATERÍA*
2. BOTÓN DE LIBERACIÓN DEL PACK DE BATERÍA*
3. MANIJA
4. INTERRUPTOR DE ENCENDIDO/APAGADO
5. BOTÓN DE BLOQUEO
6. MANIJA FRONTAL
7. PLACA BASE
8. GUÍA PARALELA
9. HOJA DE SIERRA
10. PROTECTOR INFERIOR DE LA HOJA
11. TORNILLO DE LA HOJA
12. PALANCA DE LIBERACIÓN DEL PROTECTOR INFERIOR
13. ADAPTADOR DE ASPIRACIÓN
14. BOTÓN DE BLOQUEO DEL HUSILLO (VER FIG. A1)
15. BRIDA INTERIOR (VER FIG. A3)
16. BRIDA EXTERIOR (VER FIG. A3)
17. PALANCA DE BLOQUEO DE LA PROFUNDIDAD DE CORTE (VER FIG. B)
18. PALANCA DE BLOQUEO DEL ÁNGULO DE LA PLACA BASE (VER FIG. C1)
19. TORNILLO DE BLOQUEO DE LA GUÍA PARALELA (VER FIG. G)
20. LLAVE HEXAGONAL (VER FIG. I)
21. LUZ LED (VER FIG. J)

\* No todos los accesorios ilustrados o descritos están incluidos en la entrega estándar.

## DATOS TÉCNICOS

Tipo CS20S-165 (20S-165-nombre de mecánico, representante de sierra circular)

Voltaje	18V $\overline{---}$ (20V Max.)	
Sin velocidad de carga	4500/min	
Tamaño de la hoja	165mm	
Diámetro del agujero	20mm	
Bevel capacity	0-50°	
Marca de corte	Marca de corte - 90°	55mm
	Marca de corte - 45°	38mm
Peso de la máquina (sin batería)	2.44kg	

## SIERRA CIRCULAR A BATERÍA

### PACKS DE BATERÍAS ADECUADOS

Número de artículo	BI20-2	BI20-4
Paquete de batería	2.0Ah	4.0Ah
	No incluido	Recomendado (no incluido)

### CARGADORES ADECUADOS

Número de artículo	C20-2	C20-4
Entrada del cargador	100-240V~50/60Hz, 55W	100-240V~50/60Hz, 95W
Salida del cargador	20V $\equiv$ 2.0A	20V $\equiv$ 4.0A
Tiempo de carga (aproximado)	1hr (2.0 Ah) 2hrs (4.0 Ah)	30mins (2.0 Ah) 60mins (4.0 Ah)
Clase de protección del cargador	$\square$ /II	$\square$ /II
	No incluido	No incluido

### INFORMACIÓN DE RUIDO

Nivel de presión acústica ponderada:  $L_{pA}$ : 90.1 dB (A)  $K_{pA}$ = 3 dB(A)

Nivel de potencia acústica ponderada:  $L_{wA}$ : 98.1 dB (A)  $K_{wA}$ = 3 dB(A)

Utilice protección auditiva.

### INFORMACIÓN DE VIBRACIÓN

Alores totales de vibración (suma vectorial triangular) determinados según la norma EN 62841:	
Cortar madera	Valor de emisión de vibración: $a_{h,w} = 2.778m/s^2$
	Incertidumbre $K = 1.5m/s^2$

El valor total de vibraciones declarado y el valor de emisiones acústicas declarado se han medido de conformidad con un método de prueba estándar y pueden utilizarse para realizar comparaciones entre herramientas.

El valor total de vibraciones declarado y el valor de emisiones acústicas declarado también pueden utilizarse en una evaluación preliminar de la exposición.

**⚠️ ADVERTENCIA!** Las vibraciones y las emisiones acústicas que se producen durante el uso de la herramienta eléctrica pueden variar respecto a los valores declarados en función de cómo se utilice la herramienta, especialmente dependiendo del tipo de pieza de trabajo que se procese y de otras formas de usar la herramienta:

Cómo se utiliza la herramienta y se cortan o perforan los materiales.

Si la herramienta se encuentra en buenas condiciones de mantenimiento.

Si se utiliza el accesorio correcto para la herramienta y se garantiza que está afilado y en buenas condiciones.

La firmeza de sujeción de las empuñaduras, y el uso de accesorios para reducir las vibraciones y el ruido.

Y si la herramienta se utiliza según su diseño y estas instrucciones.

Esta herramienta podría causar síndrome de vibración del brazo y la mano si no se utiliza correctamente.

**⚠ ADVERTENCIA!** Para conseguir una mayor precisión, debe tenerse en cuenta una estimación del nivel de exposición en condiciones reales de todas las partes del ciclo de uso, como los tiempos durante los que la herramienta está apagado o cuando está en funcionamiento pero no está realizando ningún trabajo. Ello podría reducir notablemente el nivel de exposición sobre el periodo de carga total.

Minimización del riesgo de exposición a las vibraciones y el ruido.

Utilice SIEMPRE cinceles, brocas y cuchillas afiladas.

Mantenga esta herramienta de acuerdo con estas instrucciones y bien lubricada (si es necesario).

Si la herramienta se va a utilizar de forma habitual, se recomienda adquirir accesorios para reducir las vibraciones y el ruido.

Planifique su programa de trabajo para distribuir el uso de la herramienta a lo largo de varios días.

## ACCESORIOS

Hoja de madera	1
Adaptador de aspiración (32 mm)	1
Tubo de polvo (35 mm)	1
Llave hexagonal	1
Guía paralela	1

Le recomendamos que compre sus accesorios en la misma tienda que le vendió la herramienta. Vea el paquete de accesorios para más información. El empleado puede ayudarlo y aconsejarlo.

## SIERRA CIRCULAR A BATERÍA

### INSTRUCCIONES



**NOTA:** Antes de utilizar la herramienta, lea atentamente el libro de instrucciones.

#### POSIBLE USO

La máquina está destinada para uso doméstico y aplicaciones domésticas. Es particularmente útil para recortar contrachapado y materiales similares en láminas. NO es adecuada para cuchillas o discos de corte de metal.

#### ANTES DE PONER EN FUNCIONAMIENTO 1. COLOCACIÓN/CAMBIO DE LA HOJA DE SIERRA

**Peligro de lesiones al tocar la hoja de sierra. Utilice únicamente hojas de sierra que cumplan con los datos de especificaciones técnicas para esta herramienta.**

**No utilice bajo ninguna circunstancia discos de esmeril como herramienta de corte.**

Para cambiar la hoja de sierra, es mejor colocar la máquina con la tapa del extremo del motor sobre una superficie plana con la zona de la hoja y la protección de la hoja hacia arriba.

##### - Retirar la hoja de sierra:

Presione el botón de bloqueo del eje y manténgalo presionado.

Afíje el perno de la hoja en dirección a las agujas del reloj con la llave hexagonal. Retire el flange exterior. Utilizando la palanca de liberación de la protección inferior, incline hacia atrás la protección inferior de la hoja y manténgala firmemente en esta posición. Retire la hoja de sierra. (Ver Fig.A1, A2)

##### - Montaje de la hoja de sierra (Ver Fig. A3):

Utilizando la palanca de la protección inferior, incline hacia atrás la protección inferior de la hoja y manténgala firmemente en esta posición. Coloque la hoja de sierra sobre el flange interno. Asegúrese de que la dirección de los dientes de corte en la hoja de sierra coincida con la dirección del indicador de rotación de la hoja. Coloque el flange exterior sobre la hoja, luego inserte el perno de la hoja. Presione el botón de bloqueo del eje para bloquear el eje, luego use la llave hexagonal para apretar el perno de la hoja en dirección contraria a las

agujas del reloj con un cuarto de vuelta más de lo que se puede hacer con los dedos.

**NOTA:** Asegúrese de que las posiciones de montaje del flange interno y del flange exterior sean correctas.



**ADVERTENCIA:** Los dientes de la hoja son muy afilados. Para obtener los mejores resultados de corte, asegúrese de utilizar una hoja de sierra adecuada para el material y la calidad de corte que necesita.

#### 2. AJUSTE DE LA PROFUNDIDAD DE CORTE (VER FIG. B)

Gire la perilla de bloqueo de la profundidad de corte en dirección contraria a las agujas del reloj para aflojar y levantar el cuerpo de la sierra lejos de la placa base.

Establezca la profundidad de corte requerida al alinear el símbolo triangular con la escala de profundidad de corte marcada en la parte posterior de la protección fija. Luego, gire la perilla de bloqueo de la profundidad de corte en sentido horario para bloquear el cuerpo de la sierra y la placa base.

Siempre agregue 3 mm a su profundidad de corte para que la hoja pueda cortar el material.

**NOTA:** Es mejor realizar un corte de prueba antes de cortar su pieza de trabajo.

#### 3. AJUSTE DEL ÁNGULO DE LA PLACA BASE (VER FIG. C1, C2)

Gire el bloqueo de bisel de la placa base en dirección contraria a las agujas del reloj para aflojar la escala de ángulo. Incline la placa base lejos de la máquina. Establezca el ángulo de bisel requerido al alinear el símbolo triangular con la escala de ángulo de la placa base.

Apriete el bloqueo de bisel girándolo en sentido horario. No utilice la escala de profundidad de corte al hacer cortes biselados debido a posibles inexactitudes.

#### 4. SALIDA DE EXTRACCIÓN DE POLVO (VER FIG. D)

Fije el adaptador de vacío a la protección fija con el tornillo. Conecte directamente una manguera de vacío adecuada al adaptador.

**NOTA:** El adaptador de vacío no debe montarse cuando no se conecta ninguna extracción de polvo externa. De lo contrario,

existe el peligro de que el sistema de extracción se obstruya.

Limpie regularmente el adaptador de vacío para garantizar una extracción óptima de polvo. La aspiradora debe ser adecuada para el material a trabajar.

## 5. MONTAJE DEL PAPEL DE LIJA DE GANCHO Y BUCLE (NO INCLUIDO) (VER FIG E1, E2)

Para quitar el paquete de baterías, primero presiona firmemente el botón de liberación del paquete de baterías y luego desliza el paquete de baterías fuera de tu herramienta.

Para instalar el paquete de baterías, desliza el paquete de baterías completamente cargado sobre la herramienta con suficiente fuerza hasta que encaje en su posición.

### OPERACIÓN



**¡ADVERTENCIA!** Antes de realizar cualquier mantenimiento o ajuste, asegúrese de que la sierra esté apagada y el paquete de baterías esté retirado. Use guantes protectores al montar la hoja de sierra.

### 1. POSICIÓN DEL AGARRE MANUAL

Siempre sostenga su sierra firmemente con ambas manos al operar.

### 2. INTERRUPTOR DE ENCENDIDO/ APAGADO DE SEGURIDAD (VER FIG. F)

Cuando el botón de bloqueo está en posición neutral, el interruptor está bloqueado. Presione el botón de bloqueo a la izquierda o a la derecha, luego presione el interruptor de encendido/apagado, la máquina se enciende.

Para apagar la máquina, suelte el interruptor, el botón de bloqueo está en posición neutral y la máquina se detiene.

Su sierra tiene un freno eléctrico automático diseñado para detener la hoja en aproximadamente tres segundos después de soltar el interruptor de gatillo.

Es útil al realizar ciertos cortes en madera donde una hoja en inercia resultaría en un corte ancho e impreciso.



**ADVERTENCIA:** Espere hasta que la máquina se detenga por completo antes de dejarla.

### 3. AJUSTE DE LA GUÍA PARALELA (VER FIG. G)

Se utiliza para realizar cortes paralelos al borde de una pieza de trabajo a una distancia elegida. Primero gire el tornillo de bloqueo de la guía paralela en sentido antihorario para aflojarlo, luego deslice el brazo de la guía paralela a través del espacio para lograr la distancia de corte deseada, luego gire el tornillo de bloqueo en sentido horario para sujetar firmemente la guía paralela.

**NOTA:** Es mejor realizar un corte de prueba.

### 4. GUÍA DE CORTE (VER FIG. H1, H2)

Hay una marca de corte en la parte delantera de la placa base para usar con una guía paralela. Para cortes rectos, use la marca de corte de 0° para alinearla con la escala de su guía paralela. Para un corte biselado de 45°, use la marca de corte de 45° para alinearla con la escala de su guía paralela. Sujete firmemente la guía paralela. Siempre realice un corte de prueba para verificar la configuración.

### 5. CORTES A BISEL

Ajuste el ángulo de bisel requerido entre 0° y 45°. No utilice la escala de profundidad de corte al realizar cortes a bisel debido a posibles inexactitudes.

### 6. ALMACENAMIENTO DE LA LLAVE HEXAGONAL (VER FIG. I)

La llave hexagonal proporcionada puede colocarse en la placa base debajo de la carcasa del motor y junto al botón de bloqueo de la guía paralela.

### 7. LUZ LED (VER FIG. J)

Esta herramienta cuenta con una luz LED alimentada que se enciende cuando la sierra se inserta en el paquete de baterías. Indica que su herramienta está activada y aumenta la visibilidad, muy útil para áreas oscuras o cerradas.



## SIERRA CIRCULAR A BATERÍA

### CONSEJOS PARA EL USO DE SU SIERRA CIRCULAR

Si su herramienta eléctrica se calienta demasiado, haga funcionar su sierra circular sin carga durante 2-3 minutos para enfriar el motor. Evite el uso prolongado a velocidades muy bajas.

Siempre use una hoja adecuada para el material y el grosor del material a cortar. La calidad del corte mejorará a medida que aumente el número de dientes de la hoja. Asegúrese siempre de que la pieza de trabajo esté firmemente sujeta o sujetada para evitar movimientos. Apoye los paneles grandes cerca de la línea de corte. Cualquier movimiento del material puede afectar la calidad del corte.

La hoja corta en el golpe ascendente y puede astillar la superficie superior o los bordes de su pieza de trabajo.

Al cortar, asegúrese de que la superficie superior sea una superficie no visible cuando su trabajo esté terminado. Alimentar demasiado rápido reduce significativamente el rendimiento de la máquina y acorta la vida útil de la hoja de sierra. Siempre coloque el lado bueno de la pieza de trabajo hacia abajo, para garantizar un mínimo de astillas.

Utilice solo hojas de sierra afiladas del tipo correcto.

### MANTENIMIENTO

Retire el enchufe de la toma de corriente antes de efectuar cualquier ajuste, reparación o mantenimiento.

Su herramienta eléctrica no requiere de lubricación ni mantenimiento adicional.

No posee piezas en su interior que deban ser reparadas por el usuario. Nunca emplee agua o productos químicos para limpiar su herramienta. Use simplemente un paño seco. Guarde siempre su herramienta en un lugar seco. Mantenga limpias las ranuras de ventilación del motor. Mantenga todos los controles de funcionamiento libres de polvo. La observación de chispas que destellan bajo las ranuras de ventilación indica un funcionamiento normal que no dañará su herramienta.

### PROTECCION AMBIENTAL



Los residuos de aparatos eléctricos y electrónicos no deben depositarse en la basura doméstica. Se deben reciclar en las instalaciones especializadas. Consulte a las autoridades locales o el establecimiento para saber cómo reciclar estos productos.

# EC Declaración de Conformidad



Nosotros :

**HYUNDAI Corporation Holdings Europe**  
Am Kronberger Hang 2A, 65824, Schwalbach am Taunus  
Germany

Declaramos que el producto detallado a continuación :  
**Sierra circular a batería**

**MODELO : CS20S-165**

**FUNCIÓN : De corte de diversos materiales con una hoja dentada de rotación**

Satisface los requisitos de las directivas del Consejo :  
2006/42/EC, 2011/65/EU & (EU)2015/863, 2014/30/EU

Normas cumplen con :  
EN 62841-1, EN IEC 62841-2-5,  
EN IEC 55014-1, EN IEC 55014-2,  
EN IEC 63000

La persona autorizada para elaborar el expediente técnico,  
Nombre : Hyundae Kim  
Dirección : HYUNDAI Corporation Holdings Europe  
65824 Schwalbach am Taunus, Germany

Gerente general

---

Fecha : 2024.09.25

Jaiwon Hur

Director de proyecto

---

Sungwoo Hong

## ACCU CIRKELZAAG

# OORSPRONKELIJKE GEBRUIKSAANWIJZING PRODUCTVEILIGHEID ALGEMENE VEILIGHEIDSWAAR- SCHUWINGEN VOOR VERMOGENSMACHINE



**WAARSCHUWING!** Lees alle veiligheidswaarschuwingen, instructies, illustraties en specificaties die bij dit elektrisch gereedschap werden meegeleverd. *Het niet opvolgen van alle onderstaande voorschriften kan tot een elektrische schok, brand en/of ernstig persoonlijk letsel leiden.*

Bewaar alle waarschuwingen en instructies voor latere naslag.

*De term “(elektrisch) gereedschap” in de waarschuwingen hieronder, verwijst naar uw op netspanning werkende gereedschap (met stroomdraad) of uw accugereedschap (draadloos).*

### 1. WERKGEBIED

- a) Houd uw werkgebied schoon en zorg ervoor dat deze goed verlicht is. *In rommelige en slecht verlichte werkgebieden gebeuren sneller ongelukken.*
- b) Gebruik elektrisch gereedschap niet in explosieve atmosferen, zoals in de nabijheid van ontvlambare vloeistoffen, gassen of stof. *Elektrisch gereedschap veroorzaakt vonken die de stof of de gassen kunnen doen ontvlammen.*
- c) Houd kinderen en omstanders uit de buurt terwijl u met elektrisch gereedschap werkt. *Afleidingen kunnen ervoor zorgen dat u de controle over het gereedschap verliest.*

### 2. ELEKTRISCHE VEILIGHEID

- a) De stekker van het elektrisch gereedschap moet passen in het stopcontact. Pas de stekker op geen enkele manier aan om te zorgen dat hij wel past. Gebruik geen adapterstekkers terwijl u geaard elektrisch gereedschap gebruikt. *Onaangepaste stekkers die in het stopcontact passen,*

*verminderen de kans op een elektrische schok.*

- b) Vermijd lichamelijk contact met geaarde of gegronde oppervlakken, zoals buizen, radiatoren, fornuizen en koelkasten. *Als uw lichaam geaard of geground is, is er een grotere kans op een elektrische schok.*
  - c) Stel uw elektrische gereedschap niet bloot aan regen of natte omstandigheden. *Water dat elektrisch gereedschap kan binnendringen, vergroot de kans op een elektrische schok.*
  - d) Gebruik de stroomdraad niet op een andere manier dan waarvoor deze gemaakt is. Trek niet aan de stroomdraad, ook niet om de stekker uit het stopcontact te krijgen en draag het gereedschap niet door het aan de stroomdraad vast te houden. Houd de stroomdraad uit de buurt van hitte, olie, scherpe hoeken en bewegende onderdelen. *Beschadigde of verwarde stroomdraden vergroten de kans op een elektrische schok.*
  - e) Wanneer u het elektrische gereedschap buitenshuis gebruikt, dient u te zorgen voor een verlengsnoer dat geschikt is voor gebruik buitenshuis. *Het gebruik van een verlengsnoer dat geschikt is voor gebruik buitenshuis, vermindert de kans op een elektrische schok.*
  - f) Moet een krachtmachine in een vochtige locatie worden gebruikt, gebruik dan een aardlekschakelaar (ALS). *Een ALS vermindert het gevaar op elektrische schokken.*
- ### 3. PERSOONLIJKE VEILIGHEID
- a) Blijf alert, kijk waar u mee bezig bent en gebruik uw gezonde verstand wanneer u met elektrisch gereedschap werkt. Gebruik geen elektrisch gereedschap wanneer u moe bent of onder de invloed van drugs, alcohol of medicijnen. *Een moment van onoplettendheid bij het gebruik van elektrisch gereedschap kan leiden tot ernstig persoonlijk letsel.*
  - b) Gebruik een veiligheidsuitrusting. Draag altijd oogbescherming. *Een veiligheidsuitrusting, zoals een stofmasker, schoenen met antislipzolen, een*

*veiligheidshelm, of oorbescherming die onder de juiste omstandigheden gebruikt wordt, vermindert de kans op persoonlijk letsel.*

- c) Pas op dat het apparaat niet onbedoeld wordt gestart. Zorg ervoor dat de schakelaar uit staat voordat u de voeding en/of batterij aansluit, en als u de machine oppakt en draagt. *Gereedschap dragen terwijl u uw vinger op de schakelaar houdt, of de stekker in het stopcontact steken terwijl het gereedschap ingeschakeld staat, is vragen om ongelukken.*
- d) Verwijder inbussleutels of moersleutels voordat u het gereedschap inschakelt. *Een sleutel die nog in of op een draaiend onderdeel van het elektrische gereedschap zit, kan leiden tot ernstig persoonlijk letsel.*
- e) Werk niet boven uw macht. Zorg er altijd voor dat u stevig staat en goed in balans bent. *Hierdoor heft u betere controle over het gereedschap in onverwachte situaties.*
- f) Draag geschikte kleding. Draag geen loszittende kleding of sieraden. Houd uw haar en kleding uit de buurt van bewegende onderdelen. *Loszittende kleding, sieraden of lang haar kan vast komen te zitten in bewegende onderdelen.*
- g) Wanneer er apparaten worden bijgeleverd voor stofafzuiging en –opvang, zorg er dan voor dat deze aangesloten zijn en op de juiste manier gebruikt worden. *Het gebruik van deze apparaten vermindert de gevaren die door stof kunnen ontstaan.*
- h) Als u gereedschap veelvuldig gebruikt, dan kan dit leiden tot het negeren van de veiligheidsprincipes, probeer dit te vermijden. *Een achteloze actie kan binnen een fractie van een seconde leiden tot ernstig letsel.*

#### 4. GEBRUIK EN ONDERHOUD VAN ELEKTRISCH GEREEDSCHAP

- a) Forceer het gereedschap niet. Gebruik gereedschap dat voor de toepassing geschikt is. *Het gebruik van geschikt gereedschap levert beter werk af en werkt veiliger als het gebruikt wordt op de snelheid waar het voor ontworpen is.*
- b) Gebruik het gereedschap niet wanneer

de aan/uitschakelaar niet functioneert. *Gereedschap dat niet kan worden bediend met behulp van de schakelaar is gevaarlijk en dient te worden gerepareerd.*

- c) Haal de stekker uit het stopcontact en/of verwijder de accu, indien deze kan worden verwijderd, uit het gereedschap voordat u instellingen verandert, toebehoren vervangt of de machine opbergt. *Deze preventieve veiligheidsmaatregelen verminderen de kans op het ongewild inschakelen van het gereedschap.*
- d) Berg gereedschap dat niet gebruikt wordt buiten het bereik van kinderen op en laat personen die niet bekend zijn met het gereedschap of met deze veiligheidsinstructies het gereedschap niet bedienen. *Elektrisch gereedschap kan in de handen van ongetrainde gebruikers gevaarlijk zijn.*
- e) Onderhouden van het gereedschap en accessoires. Controleer of bewegende onderdelen nog goed uitgelijnd staan, of ze niet ergens vastzitten en controleer op elke andere omstandigheid die ervoor kan zorgen dat het gereedschap niet goed functioneert. Wanneer het gereedschap beschadigd is, dient u het te repareren voordat u het in gebruik neemt. *Veel ongelukken worden veroorzaakt door slecht onderhouden elektrisch gereedschap.*
- f) Houd snijdend gereedschap schoon en scherp. *Goed onderhouden snijdend gereedschap met scherpe zaagbladen/ messen zal minder snel vastlopen en is makkelijker te bedienen.*
- g) Gebruik het gereedschap, de accessoires, de bitjes, enz. in overeenstemming met deze instructies en op de manier zoals bedoeld voor het specifieke type elektrisch gereedschap, rekening houdend met de werkomstandigheden en het uit te voeren werk. *Het gereedschap gebruiken voor andere doeleinden dan waar deze voor ontworpen is, kan gevaarlijke situaties opleveren.*
- h) Houd de handgrepen en grijppoppervlakten droog, schoon en vrij van olie en smeermiddel. *Glibberige handgrepen en grijppoppervlakten laten geen veilige*

## ACCU CIRKELZAAG

*hantering toe, en zorgen ervoor dat u geen controle hebt over het gereedschap in onverwachte omstandigheden.*


### 5. GEBRUIK EN ONDERHOUD VAN ACCUGEREEDSCHAP

- a) Laad het accupack alleen op met de door de fabrikant aangegeven oplader. *Een oplader die geschikt is voor het ene type accupack, kan brand veroorzaken wanneer die gebruikt wordt voor een ander type accupack.*
- b) Gebruik het gereedschap uitsluitend met het aangegeven accupack. *Door het gebruik van andere accupacks ontstaat de kans op letsel of brand.*
- c) Wanneer het accupack niet gebruikt wordt, dient u het uit de buurt te houden van metalen voorwerpen, zoals paperclips, munten, sleutels, spijkers, schroeven of andere kleine metalen voorwerpen die een verbinding kunnen maken tussen de contactpunten van de terminal. *Het kortsluiten van de accuterminals kan zorgen voor brandwonden of brand.*
- d) Onder extreme omstandigheden kan er vloeistof uit de accu lopen; raak deze vloeistof niet aan. Wanneer u toch onverhoopt met de vloeistof in aanraking komt, dient u dit onmiddellijk af te spoelen met water. Wanneer de vloeistof in de ogen komt, dient u zo snel mogelijk een arts te raadplegen. *Vloeistof die afkomstig is uit de accu kan irritatie of brandwonden veroorzaken.*
- e) Gebruik geen accu of gereedschap dat beschadigd of aangepast is. *Beschadigde of aangepaste accu's kunnen onvoorspelbaar reageren, wat kan leiden tot brand, explosie of het veroorzaken van letsel.*
- f) Stel een accu of gereedschap niet bloot aan vuur of extreme temperatuur. *Blootstelling aan brand of een temperatuur boven 130°C kan explosie veroorzaken.*
- g) Volg alle instructies en laad de accu of het gereedschap niet op buiten het temperatuurbereik dat vermeld is in de handleiding. *Onjuist opladen of opladen bij temperaturen buiten het aangegeven bereik kan de accu beschadigen en het risico op brand vergroten.*

### 6. SERVICE

- a) Laat uw elektrisch gereedschap repareren door een bevoegde reparateur die alleen originele reserveonderdelen gebruikt. *Zo bent u er zeker van dat uw gereedschap veilig blijft.*
- b) Repareer nooit beschadigde accu's. *Reparatie van accu's mag alleen worden uitgevoerd door de fabrikant of geautoriseerde onderhoudstechnici.*

## VEILIGHEIDSIN- STRUCTIES VOOR ALLE ZAGEN ZAAGMETHODE

- a)  **WAARSCHUWING:** Houd handen uit de buurt van het zaaggedeelte van het blad. Houd uw vrije hand op het hulphandvat of op de motorbehuizing. *Wanneer beide handen de zaag vasthouden, kunt u zich niet in de handen zagen.*
- b) Reik niet onder het werkobject. *De beschermkap kan u onder het werkobject niet tegen het zaagblad beschermen.*
- c) Stel de zaagdiepte in op de dikte van het werkobject. *Er moet minder dan één tand zichtbaar zijn onder het werkobject.*
- d) Houd het werkobject nooit met de handen vast of over uw been. Zet het werkobject vast op een stabiel platform. *Het is belangrijk om het object voldoende te ondersteunen, zodat uw lichaam niet geraakt kan worden, het zaagblad niet vast kan lopen en u de controle over de machine niet verliest.*
- e) Houd de machine alleen vast bij de geïsoleerde handgrepen, wanneer uw werkzaamheden tot gevolg kunnen hebben dat het accessoire in contact komt met verborgen bedrading of het eigen netsnoer. *Komt het accessoire in contact met een spanningvoerende draad, dank omen de metalen delen van de machine onder spanning staan, wat dodelijk kan zijn voor de gebruiker.*
- f) Gebruik bij het schulpen altijd een

langsgeleider of een richtlijniaal. Dit zorgt voor een nauwkeurige snede en u vermindert de kans op een vastgelopen zaagblad.

- g) Gebruik altijd zaagbladen met opspandoorgaten van de juiste grootte en vorm. Zaagbladen die niet overeenkomen met de hardware van de zaag zullen excentrisch draaien waardoor u de controle over het apparaat verliest.
- h) Gebruik nooit beschadigde of onjuiste bouten of ringen voor het zaagblad. De ringen en moeren voor het zaagblad zijn speciaal ontworpen voor deze zaag zodat deze optimaal presteert en veilig gebruikt kan worden.

## OVERIGE VEILIGHEIDSGEGEVINGEN VOOR ALLE ZAGEN

### OORZAKEN EN VOORKOMING VAN TERUGSLAG

- Terugslag is een plotselinge reactie als het zaagblad klemt, vastloopt of niet goed uitgelijnd is. Hierdoor schiet de zaag omhoog, uit het werkobject en richting de bediener;
  - Als het blad klemt of sterk vastloopt omdat de zaagsnede te smal wordt, stopt het zaagblad en als gevolg van de motorreactie schiet het apparaat snel terug richting de bediener;
  - Als het blad knikt of niet goed is uitgelijnd, zullen de tanden aan de achterkant van het blad in het bovenste oppervlak van het hout zagen, zodat het blad uit de zaagsnede komt en terugschiet richting de bediener. Terugslag is het gevolg van verkeerd gebruik en/of onjuiste bediening of omstandigheden. Dit kan voorkomen worden door de juiste voorzorgsmaatregelen te nemen, zoals hieronder vermeld.
- a) Houd de zaag met beide handen goed vast en plaats uw armen zodanig dat u de kracht van een terugslag kunt weerstaan.

Ga met uw lichaam aan een van beiden zijden van het zaagblad staan, maar niet op één lijn met het zaagblad. *Terugslag kan ervoor zorgen dat de zaag terugschiet, maar de kracht ervan kan worden weerstaan door de bediener, indien deze de juiste voorzorgsmaatregelen heeft getroffen.*

- b) Als het blad vastloopt, of als de snee om welke reden dan ook wordt onderbroken, laat dan de schakelaar los en houd de zaag bewegingsloos in het materiaal totdat het zaagblad volledig stilstaat. *Probeer nooit de zaag uit het werkobject te halen of terug te trekken terwijl het blad nog beweegt; dit kan een terugslag veroorzaken. Onderzoek en corrigeer zaken ter voorkoming van het vastlopen van het blad.*
- c) Als u de zaag opnieuw aanzet in het werkobject, centreer het zaagblad dan in de zaagsnede en controleer of de zaagtanden niet vastzitten in het materiaal. *Als het zaagblad vastloopt, kan deze omhoog gaan of een terugslag geven zodra de zaag opnieuw wordt gestart.*
- d) Ondersteun grote panelen om zo het risico op het klemmen van het blad en terugslag te voorkomen. Grote panelen kunnen onder hun gewicht doorzakken. *Ondersteuning dient te worden geplaatst aan beide zijden onder het paneel, nabij de zaagsnede en de rand van het paneel.*
- e) Gebruik geen stompe of beschadigde zaagbladen. *Onscherpe of onjuist ingestelde bladen produceren een smalle zaagsnede en dit zorgt voor extra frictie, het vastlopen van het blad en een terugslag.*
- f) Bladdiepte en de sluithefbomen voor het instellen van de afschuining moeten goed zijn vergrendeld voordat u kunt gaan zagen. *Als deze instellingen verschuiven tijdens het zagen, kan het zaagblad vastlopen en een terugslag veroorzaken.*
- g) Wees extra zorgvuldig als u rechtstreeks in een bestaande wand zaagt of andere blinde gebieden. *Het uitstekende zaagblad zaagt mogelijk in voorwerpen die een terugslag kunnen veroorzaken.*

## ACCU CIRKELZAAG

### VELLIGHEIDSIN- STRUCTIES VOOR HET ZAGEN MET INTERNE PENDELBEVEILIGING FUNCTIE ZAAGKAP ONDERAAN

- a) Controleer voor ieder gebruik of de onderste beveiliging op de juiste manier is vergrendeld. Gebruik de zaag niet als de onderste bescherming niet vrij beweegt en onmiddellijk sluit. Klem of bind de onderste bescherming nooit vast in de open positie. *Als de zaag onopzettelijk valt, kan de onderste bescherming verbuigen. Trek de onderste bescherming omhoog met de terugtrekhandel en zorg ervoor dat deze vrij kan bewegen en het blad of welk ander deel niet raakt in alle hoeken of zaagdiepten.*
- b) Controleer de werking van de veer van de onderste bescherming. Als de bescherming en de veer niet goed functioneren, dienen deze voor gebruik te worden gerepareerd. *De onderste bescherming werkt misschien niet goed als gevolg van beschadigde onderdelen, gomachtige aanslag of vuil.*
- c) De onderste bescherming dient alleen handmatig te worden teruggetrokken bij speciale sneden zoals rechtstreeks in een oppervlak of samengestelde sneden. *Trek de onderste bescherming omhoog met behulp van de terugtrekhandel en zodra het blad in het materiaal gaat, dient u de onderste bescherming los te laten. Bij alle andere zaagbewerkingen, werkt de onderste bescherming automatisch.*
- d) Let erop dat de onderste bescherming altijd over het blad zit voordat de zaag op een werkbank of de grond wordt gezet. *Bij een onbeschermd zaagblad waarbij de motor niet actief is, loopt de zaag terug en snijdt deze in alles wat in de weg zit. Denk eraan dat het even duurt.*

### EXTRA VEILIGHEIDSREGELS VOOR UW CIRKELZAAG

1. Gebruik alleen zaagbladen die door de fabrikant worden aanbevolen en beantwoorden aan EN 847-1, als ze bedoeld zijn voor hout en gelijkaardige materialen.
2. Gebruik geen schuurschijven.
3. Gebruik alleen de bladdiameter(s) volgens de markeringen.
4. Identificeer het juiste zaagblad voor het te zagen materiaal.
5. Gebruik alleen zaagbladen die gemarkeerd zijn met een snelheid die gelijk is aan of hoger dan de snelheid die op het apparaat is vermeld.

### SYMBOLLEN



Om het risico op letsels te beperken, moet u de gebruikershandleiding lezen



Waarschuwing



Draag oorbescherming



Draag een veiligheidsbril



Draag een stofmasker



Afgedankte elektrische producten mogen niet bij het normale huisafval terechtkomen. Breng deze producten waar mogelijk naar een recyclecentrum bij u in de buurt. Vraag de verkoper of de gemeente informatie en advies over het recyclen van elektrische apparatuur.

## COMPONENTENLIJST

1. ACCU*
2. ACCU-LOSKNOP*
3. HANDVAT
4. AAN/UIT-SCHAKELAAR
5. VERGRENDDELINGSKNOP
6. VOORHANDVAT
7. BASISPLAAT
8. PARALLELGELEIDER
9. ZAAGBLAD
10. LAGERE BLADBEWAKING
11. BLADBOUW
12. ONDERSTE BEWAKINGSLOSMAAKHEND
13. STOFZUIGADAPTER
14. SPILVERGRENDELKNOP (ZIE AFBEELDING A1)
15. BINNENFLENS (ZIE AFBEELDING A3)
16. BUITENFLENS (ZIE AFBEELDING A3)
17. SNIJ DIEPTTE VERGRENDELINGSHEVEL (ZIE AFBEELDING B)
18. BASISPLAAT SCHUINVERGRENDELINGSHEVEL (ZIE AFBEELDING C1)
19. PARALLELGELEIDER VERGRENDELINGSCHROEF (ZIE AFBEELDING G)
20. ZESKANTSLEUTEL (ZIE AFBEELDING I)
21. LED-LICHT (ZIE AFBEELDING J)

\* Niet alle afgebeelde of beschreven accessoires zijn opgenomen in de standaard levering.

## TECHNISCHE GEGEVENS

Type CS20S-165 (20S-165-aanduiding van machines, vertegenwoordiger van de cirkelzaag)

Spanning	18V $\overline{\text{---}}$ (20V Max.)	
Geen laadsnelheid	4500/min	
Blad grootte	165mm	
Boorgrootte	20mm	
Schuin vermogen	0-50°	
Snijcapaciteit:	Zaagdiepte op 90°	55mm
	Zaagdiepte op 45°	38mm
Machinegewicht (zonder batterij)	2.44kg	



## ACCU CIRKELZAAG

### GESCHIKTE BATTERIJEN

Artikelnummer	BI20-2	BI20-4
Batteri capaciteit	2.0Ah	4.0Ah
	Niet inbegrepen	Aanbevolen (niet inbegrepen)

### GESCHIKTE OPLADERS

Artikelnummer	C20-2	C20-4
Ingang oplader	100-240V~50/60Hz, 55W	100-240V~50/60Hz, 95W
Uitgang oplader	20V $\equiv$ 2.0A	20V $\equiv$ 4.0A
Laadtijd (ongeveer)	1hr (2.0 Ah) 2hrs (4.0 Ah)	30mins (2.0 Ah) 60mins (4.0 Ah)
Oplader beschermingsklasse	$\square$ /II	$\square$ /II
	Niet inbegrepen	Niet inbegrepen

### GELUIDSPRODUCTIE

A-gewogen geluidsdruk:  $L_{pA}$ : 90.1 dB (A)  $K_{pA}$ = 3 dB(A)

A-gewogen geluidsniveau:  $L_{wA}$ : 98.1 dB (A)  $K_{wA}$ = 3 dB(A)

Draag oorbescherming.

### TRILLINGSGEGEVENS

Totale trillingswaarden (som triax vector) bepaald volgens EN 62841:	
Hout zagen	Trillingsemismissie waarde: $a_{h,W} = 2.778m/s^2$
	Onzekerheid $K = 1.5m/s^2$

De gedeclareerde totale trillingswaarde en de gedeclareerde geluidsemismissiewaarde zijn gemeten volgens een standaard testmethode en kunnen worden gebruikt om één gereedschap te vergelijken met een ander. De gedeclareerde totale trillingswaarde en de gedeclareerde geluidsemismissiewaarde kunnen ook worden gebruikt bij een voorlopige beoordeling van de blootstelling.

**!** **WAARSCHUWING!** De trillingsemismissiewaarde tijdens het feitelijke gebruik van dit elektrisch gereedschap kan afwijken van de opgegeven waarde, afhankelijk van de wijze waarop het gereedschap wordt gebruikt, zoals in de volgende voorbeelden:

Hoe de machine gebruikt wordt en hoe het materiaal gesneden of geboord wordt.

De conditie en de onderhoudstoestand van de machine.

Gebruik van de juiste toebehoren. Zorg ervoor dat ze scherp zijn en in goede conditie.

Hoe stevig de handgreep wordt vastgehouden en of er anti-trilling en -geluidsaccessoires worden gebruikt.

De machine moet gebruik worden zoals door de ontwerper bedoeld is en in overeenstemming met deze instructies.

Deze machine kan een trillingssyndroom in hand en arm veroorzaken als hij niet op de juiste wijze gehanteerd wordt.



**WAARSCHUWING!** Voor de nauwkeurigheid moet bij een schatting van het blootstellingsniveau in de feitelijke gebruiksomstandigheden rekening worden gehouden met alle delen van de bewerking, zoals het moment dat de machine wordt uitgeschakeld en de tijden waarop de machine loopt zonder daadwerkelijk gebruikt te worden. Dit kan het blootstellingsniveau over de totale werkperiode aanzienlijk verminderen.

Het risico op blootstelling aan trillingen en geluid verminderen.

Gebruik **ALTIJD** scherpe beitels, boren en zaagbladen.

Onderhoud de machine volgens deze instructies en houd hem goed gesmeerd (voor zover van toepassing).

Als het gereedschap regelmatig wordt gebruikt, investeer dan in anti-trilling en -geluidsaccessoires.

Plan de werkzaamheden zodat de taken met veel trillingen over een aantal dagen verspreid worden.

## ACCESSORIES

Houtzaagblad	1
Stofzuigadapter (32 mm)	1
Stofbuis (35 mm)	1
Inbussleutel	1
Parallelgeleider	1

We raden u aan uw accessoires te kopen in dezelfde winkel die u de tool heeft verkocht. Zie de accessoire-verpakking voor meer informatie. Winkelpersoneel kan u helpen met advies.

## ACCU CIRKELZAAG

### BEDIENINGSIN- STRUCTIES



**OPMERKING:** Lees de handleiding zorgvuldig door voordat u het gereedschap gebruikt.

#### BEOOGDE GEBRUIK

De machine is bedoeld voor gebruik rondom het huis en voor huishoudelijke toepassingen. Het is bijzonder geschikt voor het trimmen van triplex en vergelijkbaar plaatmateriaal. Het is NIET geschikt voor metalen zaagbladen of -schijven.

#### VOORDAT U DE MACHINE IN GEBRUIK NEEMT

##### 1. PLAATSEN/VERVANGEN VAN EEN ZAAGBLAD

Gevaar voor letsel bij aanraking van het zaagblad.

Gebruik alleen zaagbladen die overeenkomen met de technische specificaties van dit gereedschap.

Gebruik onder geen enkele omstandigheid slijpschijven als snijgereedschap.

Voor het vervangen van het zaagblad is het het beste om de machine op een vlakke ondergrond te plaatsen met de motorbehuizing naar boven en het zaagblad en de zaagbladbescherming naar boven gericht.

##### - Verwijderen van het zaagblad:

Druk op de spijborgknop en houd deze ingedrukt. Draai de zaagbout met de inbussleutel met de klok mee los. Verwijder de buitenste flens. Kantel met de hendel van de onderste bescherming de onderste zaagbladbescherming naar achteren en houd deze stevig in deze positie. Verwijder het zaagblad. (Zie afb. A1, A2)

##### - Monteren van het zaagblad (Zie afb. A3):

Gebruik de hendel van de onderste bescherming om de onderste zaagbladbescherming naar achteren te kantelen en houd deze stevig in deze positie. Plaats het zaagblad op de binnenste flens. Zorg ervoor dat de richting van de snijtanden op het zaagblad overeenkomt met de richting van de bladrotatie-indicator. Plaats de buitenste flens over het zaagblad en steek vervolgens de

zaagbout erin. Druk op de spijborgknop om de spil te vergrendelen en gebruik vervolgens de inbussleutel om de zaagbout met 1/4 slag meer dan vingerstrak tegen de klok in vast te draaien. **OPMERKING:** Zorg ervoor dat de montageposities van de binnenste flens en de buitenste flens correct zijn.



**WAARSCHUWING:** De tanden van het zaagblad zijn zeer scherp. Voor de beste zaagresultaten zorg ervoor dat u een zaagblad gebruikt dat geschikt is voor het materiaal en de zaagkwaliteit die u nodig heeft.

##### 2. DIEPTEVERSTELLING (ZIE AFB. B)

Draai de vergrendelingsknop voor de zaagdiepte tegen de klok in om los te maken en de zaagbehuizing van de bodemplaat te tillen. Stel de vereiste zaagdiepte in door het driehoekssymbool uit te lijnen met de zaagdiepteschaal die op de achterkant van de vaste beschermkap is gemarkeerd. Draai vervolgens de vergrendelingsknop voor de zaagdiepte met de klok mee om de zaagbehuizing en de bodemplaat te vergrendelen. Voeg altijd 3 mm toe aan uw zaagdiepte zodat het blad door het materiaal kan snijden.

**OPMERKING:** Het is raadzaam om eerst een proefsnede uit te voeren voordat u uw werkstuk gaat zagen.

##### 3. INSTELLING VAN DE HOEK VAN DE BODEMPLAAT (ZIE AFB. C1, C2)

Draai de vergrendeling van de schuine stand van de bodemplaat tegen de klok in om de hoekschaal los te maken. Kantel de bodemplaat weg van de machine. Stel de vereiste schuine hoek in door het driehoekssymbool uit te lijnen met de hoekschaal van de bodemplaat. Draai de vergrendeling van de schuine stand vast door hem met de klok mee te draaien. Gebruik de zaagdiepteschaal niet bij het maken van schuine sneden vanwege mogelijke onnauwkeurigheden.

##### 4. STOFZUIGERAFVOER (ZIE AFB. D)

Bevestig de stofzuigadapter met de schroef aan de vaste beschermkap. Sluit rechtstreeks een geschikte stofzuigerslang aan op de adapter. **OPMERKING:** De stofzuigadapter mag niet worden gemonteerd als er geen externe stofafzuiging is aangesloten.

Anders bestaat er gevaar dat het afzuigstelsel verstopt raakt.


Maak de stofzuigadapter regelmatig schoon om optimale stofafzuiging te garanderen. De stofzuiger moet geschikt zijn voor het materiaal dat wordt bewerkt.

## 5. HET AANPASSEN VAN DE HAAK EN LUS SCHUREN PAPIER (NIET INBEGREPEN) (ZIE AFB. E1, E2)

Om de accu te verwijderen, drukt u eerst stevig op de ontgrendelknop van de accu en schuift u vervolgens de accu uit het gereedschap.

Om de accu te installeren, schuift u de volledig opgeladen accu met voldoende kracht op het gereedschap totdat deze op zijn plaats klikt.

### BEDRIJF

 **WAARSCHUWING!** Voordat u enig onderhoud of aanpassingen uitvoert, zorg ervoor dat de zaag is uitgeschakeld en de accu is verwijderd. Draag beschermende handschoenen bij het monteren van het zaagblad.

## 1. HANDGREEPPROPOSITIE


Houd uw zaag altijd stevig vast met beide handen tijdens het gebruik.

## 2. VEILIGHEID AAN/UIT SCHAKELAAR (ZIE AFB. F)

Wanneer de vergrendelknop in de neutrale positie staat, is de schakelaar vergrendeld. Druk op de vergrendelknop naar links of rechts en druk vervolgens op de aan/uit-schakelaar, de machine start. Om de machine uit te schakelen, laat u de schakelaar los, de vergrendelknop staat in de neutrale positie en de machine stopt.

Uw zaag heeft een automatische elektrische rem die is ontworpen om het blad binnen ongeveer drie seconden te stoppen nadat u de schakelaar heeft losgelaten.

Dit is handig bij het maken van bepaalde sneden in hout waarbij een draaiend blad zou resulteren in een brede, onnauwkeurige snede.

 **WAARSCHUWING!** Wacht tot de machine volledig is gestopt voordat u hem neerzet.

## 3. INSTELLING VAN DE PARALLELGELEIDER (ZIE AFB. G)

De parallelgeleider wordt gebruikt voor het maken van sneden parallel aan een werkstukrand op een gekozen afstand. Draai eerst de vergrendelschroef van de parallelgeleider tegen de klok in om los te maken, schuif vervolgens de parallelgeleiderarm door de opening om de gewenste snijafstand te bereiken, draai dan de vergrendelschroef met de klok mee om de parallelgeleider stevig vast te klemmen.

**OPMERKING:** Het is het beste om eerst een proefsnede uit te voeren.

## 4. SNIJGIDS (ZIE AFB. H1, H2)

Er bevindt zich een snijmarkeringsleuf aan de voorkant van de basisplaat voor gebruik met een parallelgeleider. Voor rechte sneden gebruikt u de snijmarkering van 0° om uit te lijnen met uw schaal van de parallelgeleider. Voor een afschuinsnede van 45° gebruikt u de snijmarkering van 45° om uit te lijnen met uw schaal van de parallelgeleider. Klem de parallelgeleider stevig vast. Voer altijd eerst een proefsnede uit om de instelling te controleren.

## 5. SCHUINE SNIJDEN

Stel de vereiste afschuinhoek in tussen 0° en 45°. Gebruik de diepte-instelschaal niet bij het maken van schuine sneden vanwege mogelijke onnauwkeurigheid.

## 6. HEX-SLEUTEL OPBERGING (ZIE FIG. I)

De meegeleverde zes-kantsleutel kan worden geplaatst op de basisplaat onder de motorbehuizing en naast de vergrendelknop van de parallelgeleider.

## 7. LED-LICHT (ZIE FIG. J)

Dit gereedschap heeft een gevoed LED-licht dat oplicht wanneer de zaag in de batterijhouder wordt geplaatst. Het geeft aan dat uw gereedschap is geactiveerd en verbetert de zichtbaarheid - zeer nuttig voor donkere of afgesloten ruimtes.

## ACCU CIRKELZAAG

### WERKTIPS VOOR UW CIRKELZAAG

Als uw elektrisch gereedschap te warm wordt, laat uw cirkelzaag dan zonder belasting draaien gedurende 2-3 minuten om de motor af te koelen. Vermijd langdurig gebruik op zeer lage snelheden. Gebruik altijd een zaagblad dat geschikt is voor het materiaal en de materiaaldikte die moet worden gesneden. De kwaliteit van de snede verbetert naarmate het aantal tanden van het zaagblad toeneemt.

Zorg er altijd voor dat het werkstuk stevig wordt vastgehouden of geklemd om beweging te voorkomen. Ondersteun grote panelen dicht bij de zaaglijn. Elke beweging van het materiaal kan de kwaliteit van de snede beïnvloeden. Het zaagblad snijdt tijdens de opwaartse slag en kan de bovenste oppervlakte of randen van uw werkstuk beschadigen.


Bij het zagen moet ervoor worden gezorgd dat uw bovenste oppervlak een niet-zichtbaar oppervlak is wanneer uw werk klaar is. Te snel voeden vermindert aanzienlijk de prestaties van de machine en verkort de levensduur van het zaagblad. Plaats altijd de goede kant van het werkstuk naar beneden om minimale splintering te garanderen. Gebruik alleen scherpe zaagbladen van het juiste type.

### ONDERHOUD

Trek de voedingskabel uit de aansluiting voordat u eventuele aanpassingen, reparaties of onderhoud uitvoert.

Dit elektrische gereedschap hoeft niet extra gesmeerd of onderhouden te worden. Dit gereedschap bevat geen onderdelen waaraan de gebruiker onderhoud kan of moet uitvoeren. Gebruik nooit water of chemische reinigingsmiddelen voor het schoonmaken van uw elektrische gereedschap. Veeg het schoon met een droge doek. Bewaar uw elektrische gereedschap altijd op een droge plek. Houd de ventilatiegleuven van de motor schoon. Houd alle bedieningselementen vrij van stof. Er kunnen vonken zichtbaar zijn in de ventilatiegleuven. Dit is normaal en leidt niet tot beschadiging van uw gereedschap.

### BESCHERMING VAN HET MILIEU

 Afgedankte elektrische producten mogen niet bij het normale huisafval terechtkomen. Breng deze producten waar mogelijk naar een recyclecentrum bij u in de buurt. Vraag de verkoper of de gemeente informatie en advies over het recyclen van elektrische apparatuur.

# EC Verklaring van Overeenstemming



Wij :

**HYUNDAI Corporation Holdings Europe**  
Am Kronberger Hang 2A, 65824, Schwalbach am Taunus  
Germany

Verklaren dat het onderstaande product :  
**Accu Cirkelzaag**

**MODEL : CS20S-165**  
**FUNCTIE : Snijden van verschillende materialen met een draaiende  
getande zaagblad**

Voldoet aan de vereisten van de richtlijnen van de Raad :  
2006/42/EC, 2011/65/EU & (EU)2015/863, 2014/30/EU

Normen voldoen aan :  
EN 62841-1, EN IEC 62841-2-5,  
EN IEC 55014-1, EN IEC 55014-2,  
EN IEC 63000

De persoon die bevoegd is om het technisch dossier samen te stellen,  
Naam : **Hyundae Kim**  
Adres : **HYUNDAI Corporation Holdings Europe**  
**65824 Schwalbach am Taunus, Germany**

Algemeen directeur

Jaiwon Hur


Projectmanager

Sungwoo Hong

Datum : 2024.09.25

## FERĂSTRĂU CIRCULAR FĂRĂ FIR

# INSTRUCȚIUNI ORIGINALE SECURITATEA PRODUSULUI AVERTISMENTE GENERALE DE SIGURANȚĂ PENTRU UNELTE ELECTRICE

 **ATENȚIONARE!** Citiți toate atenționările de siguranță și parcurgeți toate instrucțiunile, ilustrațiile și specificațiile atașate acestei scule electrice. Nerespectarea tuturor instrucțiunilor enumerate mai jos poate duce la electrocutare, incendiu și/ sau leziune corporală gravă.

**Păstrați toate avertismentele și instrucțiunile pentru consultări ulterioare.**

Termenul „unealtă electrică” din avertismente se referă la o unealtă electrică alimentată de la rețeaua de energie electrică (prin cablu) sau la o unealtă electrică alimentată de la un acumulator (fără cablu).

### 1. SIGURANȚA ZONEI DE LUCRU

- Mențineți zona de lucru curată și bine iluminată.** Zonele de lucru în dezordine și întunecoase favorizează accidentele.
- Nu utilizați uneltele electrice în atmosfere explozive, de exemplu în prezența unor lichide, gaze sau praf inflamabile.** Uneltele electrice provoacă scânteii ce pot aprinde pulbera sau vaporii.
- Asigurați-vă că nu sunt în apropiere persoane și copii în timpul funcționării unei unelte electrice.** Distragerea atenției poate duce la pierderea controlului uneltei.

### 2. SIGURANȚA ELECTRICĂ

- Fizele uneltei electrice trebuie să se potrivească perfect în priză de alimentare.** Nu modificați niciodată ștecherul. Nu folosiți niciun adaptor pentru uneltele electrice cu împământare. Utilizarea ștecherelor nemodificate în prize corespunzătoare va reduce riscul electrocutării.
- Evitați contactul fizic cu suprafețe**

cu legătură la pământ, cum ar fi țevi, radiatoare, mașini de gătit sau frigider. Riscul electrocutării este mai mare în cazul în care corpul dumneavoastră vine în contact cu suprafața împământată.

- Nu expuneți uneltele electrice la ploaie sau la umiditate.** Dacă intră apă în unealta electrică, riscul electrocutării este mai mare.
- Nu deteriorați cablul de alimentare.** Nu folosiți niciodată cablul pentru transportarea, tragerea sau scoaterea din priză a uneltei electrice. Păstrați cablul de alimentare la distanță de căldură, ulei, margini ascuțite sau părți mobile. Cablurile deteriorate sau încurcate măresc riscul electrocutării.
- Când folosiți unealta electrică în exterior, utilizați un prelungitor potrivit pentru utilizarea în exterior.** Utilizarea unui cablu potrivit pentru uzul în exterior reduce riscul electrocutării.
- Dacă utilizarea uneltei electrice într-un loc umed nu poate fi evitată, folosiți o alimentare protejată cu dispozitiv de curent rezidual (RCD).** Folosirea unui dispozitiv RCD reduce riscul electrocutării.

### 3. SIGURANȚA PERSONALĂ

- Fiți concentrat, urmăriți ceea ce faceți și dați dovadă de simț practic când folosiți o unealtă electrică.** Nu folosiți o unealtă electrică dacă sunteți obosit sau sub influența drogurilor, a alcoolului sau a medicamentelor. O clipă de neatenție în timpul funcționării uneltei electrice poate duce la accidentări personale grave.
- Folosiți echipament personal de protecție.** Purtați întotdeauna ochelari de protecție. Echipamentele de protecție precum masca de protecție contra prafului, încălțăminte de talpă antiderapantă, casca sau protecția pentru urechi vor reduce riscul accidentărilor, utilizate în mod corespunzător.
- Preveniți punerea accidentală în funcțiune.** Asigurați-vă că întrerupătorul se află în poziția de oprire înainte de a face conectarea la sursa de alimentare și/sau la acumulator, înainte de a ridica sau a transporta unealta. Transportarea uneltelor electrice ținând degetul pe întrerupător sau alimentarea acestora cu întrerupătorul pornit

poate duce la accidentări.

- d) **Scoateți orice cheie de reglare sau cheie de piulițe înainte de a porni unealta electrică.** O cheie de piulițe sau o altă cheie rămasă prinsă de o componentă rotativă a uneltei poate duce la rănirea personală.
- e) **Păstrați un echilibru corect. Mențineți-vă permanent echilibrul și sprijiniți-vă ferm pe picioare.** Acest lucru permite un control mai bun al uneltei electrice în situații neprevăzute.
- f) **Îmbrăcați-vă corespunzător. Nu purtați îmbrăcăminte prea largă sau bijuterii. Țineți la distanță părul și hainele dvs. de piesele în mișcare ale uneltei electrice.** Hainele prea largi, bijuteriile și părul lung se pot prinde în piesele mobile.
- g) **Dacă sunt furnizate accesoriile pentru conectarea unor dispozitive de aspirare și colectare a prafului, asigurați-vă că acestea sunt montate și folosite corect.** Folosirea colectorului de praf poate reduce riscul accidentărilor din cauza prafului.
- h) **Nu lăsați ca odată cu familiarizarea dvs. cu utilizarea uneltei să deveniți indolenți și să uitați respectarea principiilor de siguranță ale uneltei electrice.** Orice acțiune nesăbuită poate duce la leziuni corporale grave într-o fracțiune de secundă.

#### 4. UTILIZAREA ȘI ÎNTREȚINEREA UNELTELOR ELECTRICE

- a) **Nu forțați unealta electrică. Folosiți unealta electrică potrivită pentru aplicație.** Cu unealta electrică potrivită, veți lucra mai bine și mai în siguranță, la viteza pentru care a fost concepută.
- b) **Nu folosiți unealta electrică dacă nu o puteți porni sau opri de la întrerupător.** Orice unealtă electrică ce nu poate fi acționată de la întrerupător este periculoasă și trebuie reparată.
- c) **Scoateți ștecherul din sursa de curent și/ sau scoateți bateria din unealta electrică înainte de a efectua reglaje, de a schimba accesoriile sau de a depozita unelte electrice.** Astfel de măsuri de siguranță reduc riscul pornirii accidentale a uneltei electrice.
- d) **Nu lăsați uneltele electrice la îndemâna copiilor și nu permiteți persoanelor ce nu știu să le manevreze și nu cunosc**

**instrucțiunile să acționeze aceste unelte.**

*Uneltele electrice sunt periculoase în mâinile utilizatorilor neinstruiți.*

- e) **Întreținerea uneltei electrice și ale accesoriilor aferente. Verificați posibila aliniere incorectă sau posibilă blocare a componentelor mobile, deteriorarea componentelor sau orice alte situații care pot afecta funcționarea uneltei electrice.** Dacă unealta electrică este deteriorată, reparați-o înainte de utilizare. *Multe accidente sunt provocate din cauza întreținerii incorecte a uneltelor.*
- f) **Uneltele de tăiere trebuie menținute ascuțite și curate.** *Riscul blocării uneltelor de tăiere cu margini ascuțite întreținute corect este mai mic și acestea sunt mai ușor de controlat.*
- g) **Folosiți unealta electrică, accesoriile, piesele etc. conform acestor instrucțiuni, luând în considerare condițiile de lucru și operația de efectuat.** *Folosirea uneltei electrice pentru operații diferite de cele pentru care a fost concepută poate duce la accidentare.*
- h) **Păstrați uscate, curate și fără urme de ulei sau grăsime mânerul și suprafețele de apucare ale uneltei.** *Mânerul și suprafețele de apucare alunecoase împiedică manipularea și controlul sigur al uneltei tocmai în cele mai neașteptate situații.*

#### 5. UTILIZAREA ȘI ÎNTREȚINEREA UNELTELOR CU ACUMULATORI

- a) **Efectuați reîncărcarea numai cu încărcătorul specificat de producător.** *Un încărcător adecvat pentru un anumit tip de acumulator poate prezenta risc de incendiu dacă este utilizat cu alt tip de acumulator.*
- b) **Folosiți mașinile electrice numai cu acumulatorii special destinați acestora.** *Utilizarea oricăror altor acumulatori poate prezenta risc de rănire și de incendiu.*
- c) **Când nu folosiți acumulatorul, țineți-l la distanță de obiecte metalice precum agrafe de birou, monede, chei, cuie, șuruburi sau alte obiecte metalice mici, ce pot constitui o legătură între cele două borne.** *Un scurtcircuit al bornelor acumulatorului poate duce la arsuri sau incendiu.*
- d) **În condiții necorespunzătoare de utilizare,**



## FERĂSTRĂU CIRCULAR FĂRĂ FIR


se poate prelinge lichid din acumulator; evitați contactul. În caz de producere accidentală a contactului, clătiți bine cu apă. Dacă v-a intrat lichid în ochi, consultați imediat medicul. Lichidul expulzat din acumulator poate cauza iritații sau arsuri.

- e) Nu utilizați acumulatorul sau scula dacă acestea sunt deteriorate sau modificate. Acumulatorii deteriorați sau modificați se pot comporta într-un mod impredictibil, crescând riscul unui incendiu, unei explozii sau leziunilor corporale.
- f) Evitați expunerea la foc și la temperaturi excesive a acumulatorului sau a sculei. Expunerea la foc sau la temperaturi care depășesc 130°C poate duce la explozie.
- g) Respectați toate instrucțiunile de reîncărcare și nu încărcați acumulatorul sau scula decât în plaja de temperaturi specificată în instrucțiuni. Reîncărcarea necorespunzătoare sau la temperaturi din afara plajei de temperaturi specificate poate duce la deteriorarea acumulatorului și la creșterea riscului de incendiu.

### 6. SERVICE

- a) Service-ul uneltei electrice trebuie efectuat de persoane calificate, folosind doar piese de schimb originale. Acest lucru va asigura folosirea în continuare a uneltei electrice în siguranță.
- b) Nu reparați niciodată acumulatorii deteriorați. Service-ul acumulatorilor trebuie efectuat numai de către fabricant sau de centre de service autorizate.

## AVERTISMENT DE SIGURANȚĂ VALABIL PENTRU TOATE FERĂSTRĂILE PROCES DE TĂIERE

- a)  PERICOL: Țineți mâinile la distanță de zona de tăiere și discul circular al ferăstrăului. Țineți mâinile pe mânerul auxiliar sau pe carcasa motorului. Dacă ambele mâini sunt fixate pe ferăstrău, acestea nu pot fi tăiate de către discul circular.

- b) Nu introduceți mâna sub piesa de prelucrat. Apărătoarea nu vă protejează împotriva discului sub piesa de prelucrat.
- c) Reglați adâncimea de tăiere la grosimea piesei de prelucrat. Mai puțin de un dinte complet al discului trebuie să fie vizibil sub piesa de prelucrat.
- d) Nu țineți niciodată în mână sau pe picioare piesa pe care o tăiați. Fixați piesa de prelucrat pe o platformă stabilă. Este important să susțineți corespunzător piesa de prelucrat pentru a reduce expunerea corpului, îndoirea discului sau pierderea controlului.
- e) Țineți unealta electrică numai de suprafața izolată de prindere atunci când efectuați o operațiune la care accesoriul de debitare poate intra în contact cu circuite electrice ascunse sau cu cablul propriu de alimentare. Accesoriul de debitare care intră în contact cu un cablu sub tensiune poate descoperi părțile metalice ale acestuia și poate provoca electrocutarea operatorului.
- f) Când spintecați, folosiți întotdeauna o riglă de ghidare sau un ghidaj cu margine dreaptă. Astfel sporiți precizia de tăiere și reduceți riscul de înțepenire a discului.
- g) Utilizați întotdeauna discuri de dimensiunea și forma corectă (diamant versus rotund) pentru orificiile axului. Discurile care nu coincid componentelor de montare ale ferăstrăului vor funcționa excentric, cauzând pierderea controlului asupra uneltei.
- h) Nu utilizați niciodată șaibe sau bolțuri deteriorate sau incorecte pentru discuri. Șaibe și bolțurile pentru discuri au fost concepute special pentru ferăstrăul dumneavoastră, pentru performanțe optime și operare în siguranță.

## INSTRUCȚIUNI SUPPLEMENTARE PRIVIND SIGURANȚA PENTRU TOATE FERĂSTRAIELE CAUZE ALE RECOLULUI ȘI ALTE AVERTISMENTE SIMILARE

- Reculul este o reacție bruscă la un disc de ferăstrău agățat, blocat sau nealiniat, cauzând ridicarea și ieșirea din piesa de prelucrat a unui ferăstrău scăpat de sub control, înspre operator.
- Când discul este prins sau înțepenit la închiderea fantei, acesta se blochează, iar reacția motorului împinge rapid unitatea înapoi înspre operator.
- Dacă discul se răsucește sau este nealiniat în timpul tăierii, dinții din spate pot pătrunde în suprafața superioară a lemnului cauzând ieșirea din fantă a discului și reculul înspre operator.

Reculul este rezultatul utilizării incorecte a ferăstrăului și/sau al procedeelelor sau condițiilor de lucru necorespunzătoare, putând fi evitat prin adoptarea unor măsuri de precauție adecvate prezentate în continuare.

- a) **Țineți ferăstrăul strâns și poziționați mâna astfel încât să faceți față forțelor de recul. Poziționați-vă corpul de o parte și de alta a discului, dar niciodată în linie cu el. Poziționați cealaltă mână departe de traiectoria ferăstrăului. Reculul ar putea cauza aruncarea ferăstrăului înapoi, dar forțele de recul pot fi controlate de către operator, dacă sunt luate măsurile de precauție adecvate.**
- b) **Când discul este înțepenit sau când întrerupeți o tăietură din diferite motive, eliberați butonul declanșator și țineți ferăstrăul nemișcat în material până când discul se oprește complet. Nu încercați niciodată să îndepărtați ferăstrăul din piesa pe care o tăiați sau să-l trageți înapoi în timpul rotației**

discului, deoarece puteți cauza un recul. *Investigați și luați măsuri corective pentru a elimina cauza prinderii pânzei.*

- c) **Când reporniți un ferăstrău în piesa de prelucrat, centrați discul ferăstrăului în fantă și verificați dacă dinții discului nu sunt prinși în material. Dacă discul ferăstrăului este blocat în material, acesta se poate ridica sau poate fi împins înapoi din piesa de prelucrat atunci când îl reporniți.**
- d) **Rezemați panourile mari pentru a reduce riscul prinderii sau reculului discului. Panourile mari au tendința să se încovoieze sub propria greutate. Pe ambele părți ale panoului trebuie așezate suporturi, mai exact în apropierea liniei de tăiere și în apropierea marginii panoului.**
- e) **Nu utilizați discuri uzate sau deteriorate. Pânzele neascuțite sau montate incorect produc o fantă îngustă, cauzând o frecțiune excesivă și prinderea și reculul discului.**
- f) **Pârghiile de blocare pentru adâncimea de tăiere a discului și ajustarea înclinării trebuie să fie strânse și fixate înaintea efectuării tăieturii. Dacă dispozitivul de reglare a discului alunecă în timpul tăierii, ar putea cauza prinderea și reculul.**
- g) **Acordați o atenție sporită atunci când tăiați în pereții existenți sau în alte zone mascate. Discul poate tăia obiecte, rezultând un recul.**

## INSTRUCȚIUNI DE SIGURANȚĂ PENTRU FERĂSTRAUL CIRCULAR CU DISPOZITIV DE PROTECȚIE ÎNFERIOR FUNȚIA APĂRĂTORII ÎNFERIOARE

- a) **Verificați dacă dispozitivul de protecție inferior este închis corect înainte de fiecare utilizare. Nu acționați ferăstrăul dacă dispozitivul de protecție inferior nu se mișcă liber și nu se închide instantaneu. Nu fixați sau strângeți niciodată dispozitivul de protecție**

## FERĂSTRĂU CIRCULAR FĂRĂ FIR

inferior în poziția deschis. Dacă ferăstrăul este scăpat accidental, dispozitivul de protecție inferior se poate îndoi. Ridicați dispozitivul de protecție inferior cu mânerul retractabil și asigurați-vă că se mișcă liber și nu atinge discul sau vreo altă piesă, în niciun unghi și la nicio adâncime de tăiere.

- b) **Verificați dacă dispozitivul de protecție inferior este închis corect înainte de fiecare utilizare. Nu acționați ferăstrăul dacă dispozitivul de protecție inferior nu se mișcă liber și nu se închide instantaneu. Nu fixați sau strângeți niciodată dispozitivul de protecție inferior în poziția deschis. Dacă ferăstrăul este scăpat accidental, dispozitivul de protecție inferior se poate îndoi. Ridicați dispozitivul de protecție inferior cu mânerul retractabil și asigurați-vă că se mișcă liber și nu atinge discul sau vreo altă piesă, în niciun unghi și la nicio adâncime de tăiere.**
- c) **Dispozitivul de protecție inferior trebuie retractat manual numai pentru tăieturi speciale, cum sunt "tăieturile transversale" și "tăieturile combinate". Ridicați dispozitivul de protecție inferior cu ajutorul mânerului de retragere, iar imediat ce discul pătrunde în material, apărătoarea inferioară trebuie eliberată. Pentru toate celelalte tipuri de tăiere, apărătoarea inferioară trebuie acționată automat.**
- d) **Asigurați-vă întotdeauna că dispozitivul de protecție inferior acoperă discul înainte de așezarea ferăstrăului pe masă sau podea. Discul neprotejat care se mai rotește din inerție va cauza mersul înapoi al ferăstrăului, tăind orice întâlnește în cale. Fiți conștient de timpul necesar discului pentru oprire după eliberarea întreprătorului.**

## REGULI SUPPLEMENTARE PRIVIND SIGURANȚA UTILIZĂRII FERĂSTRĂULUI CIRCULAR

1. Utilizați numai discurile recomandate de fabricantul sculei, discuri în conformitate cu reglementarea EN 847-1, specifice tăierii lemnului și a materialelor asemănătoare cu acesta.
2. Nu utilizați pietre/discuri abrazive.
3. Utilizați numai acele discuri care au diametre conforme cu marcasele.
4. Identificați discul potrivit materialului care urmează a fi tăiat.
5. Utilizați numai acele discuri care au o viteză de rotație egală sau mai mare decât viteza indicată pe eticheta sculei electrice.

## SIMBOLURI



Pentru a reduce riscul de accidentări, utilizatorul trebuie să citească manualul de instrucțiuni



Atenționare



Purtați echipament de protecție pentru urechi



Purtați echipament de protecție pentru ochi



Purtați mască de protecție contra prafului



Produsele electrice nu trebuie depuse la deșeurile împreună cu gunoiul menajer. Vă rugăm să depuneți produsele electrice la unitățile de reciclare existente. Consultați-vă cu autoritățile locale sau cu distribuitorul pentru sfaturi privind reciclarea.

## LISTA COMPONENTELOR

1. PACHET DE BATERII*
2. BUTON DE ELIBERARE A PACHETULUI DE BATERII*
3. MANER
4. BUTON DE APRINDERE/STINGERE
5. BUTON DE BLOCARE
6. MANER FRONTAL
7. PLACĂ DE BAZĂ
8. GHID PARALEL
9. LAMA DE FIERAȘTRĂ
10. PROTECȚIE INFERIOARĂ A LAMEI
11. ȘURUB DE FIXARE A LAMEI
12. MANETĂ DE ELIBERARE A PROTECȚIEI INFERIOARE
13. ADAPTOR DE ASPIRARE
14. BUTON DE BLOCARE A AXULUI (VEZI FIG. A1)
15. FLANȘĂ INTERIOARĂ (VEZI FIG. A3)
16. FLANȘĂ EXTERIOARĂ (VEZI FIG. A3)
17. MANETĂ DE BLOCARE A ADÂNCIMII DE TĂIERE (VEZI FIG. B)
18. MANETĂ DE BLOCARE A INCLINĂRII PLĂCII DE BAZĂ (VEZI FIG. C1)
19. ȘURUB DE BLOCARE A GHIDULUI PARALEL (VEZI FIG. G)
20. CHEIE HEXAGONALĂ (VEZI FIG. I)
21. LUMINĂ LED (VEZI FIG. J)

\* Nu toate accesoriile ilustrate sau descrise sunt incluse în furnitura standard.

RO

## DATE TEHNICE

Tip CS20S-165 (20S-165-denumirea aparatului, reprezentativă pentru fierăștrăul circular)

Tensiune	18V $\equiv$ (20V Max.)	
Turație fără sarcină	4500/min	
Dimensiunea lamei	165mm	
Diametrul orificiului	20mm	
Capacitatea de șanfrenare	0-50°	
Capacitatea de tăiere:	Adâncimea de tăiere la 90°	55mm
	Adâncimea de tăiere la 45°	38mm
Greutatea mașinii (fără baterie)	2.44kg	

## FERĂSTRĂU CIRCULAR FĂRĂ FIR

### PACHETE DE BATERII POTRIVITE

Număr de articol	BI20-2	BI20-4
Capacitatea acumulatorului	2.0Ah	4.0Ah
	Nu este inclus	Recomandat (Nu este inclus)

### ÎNCĂRCĂTOARE POTRIVITE

Număr de articol	C20-2	C20-4
Intrare încărcător	100-240V~50/60Hz, 55W	100-240V~50/60Hz, 95W
Ieșire încărcător	20V $\overline{=}$ 2.0A	20V $\overline{=}$ 4.0A
Timp de încărcare (aproximativ)	1hr (2.0 Ah) 2hrs (4.0 Ah)	30mins (2.0 Ah) 60mins (4.0 Ah)
Clasa de protecție a încărcătorului	$\square$ /II	$\square$ /II
	Nu este inclus	Nu este inclus

### INFORMAȚII PRIVIND ZGOMOTUL

Presiune sonică ponderată:  $L_{pA}$ : 90.1 dB (A)  $K_{pA}$ = 3 dB(A)

Putere acustică ponderată:  $L_{wA}$ : 98.1 dB (A)  $K_{wA}$ = 3 dB(A)

**Purtați echipament de protecție pentru urechi.**

### INFORMAȚII PRIVIND VIBRAȚIILE

Valori totale vibrații (sumă vectorială triaxială) determinată conform EN 62841:	
Tăierea lemnului	Tăiere lemn: $a_{h,W} = 2.778\text{m/s}^2$
	Marjă de eroare $K = 1.5\text{m/s}^2$

Aloarea totală declarată pentru vibrații și pentru zgomot a fost măsurată în concordanță cu metoda de testare standard și poate fi utilizată și la compararea a două unelte.

Valoarea totală declarată pentru vibrații și pentru zgomot poate fi utilizată și la evaluarea preliminară a expunerii la acestea.



**ATENȚIONARE!** Nivelul emisiilor de vibrații și de zgomot în timpul utilizării reale a unelei poate să difere de valorile declarate, aceste valori fiind în funcție de modalitățile de utilizare ale sculei, dar mai ales de felul piesei prelucrate cu unealta. Iată în continuare niște exemple de utilizare care conduc la apariția diferențelor de valori:

Modul în care scula este folosită și tipul de materiale tăiate sau sfredelite.

Scula este în stare bună de funcționare și bine întreținută.

Folosirea accesoriului corect pentru sculă și păstrarea acesteia în condiții bune.

Forța de apucare a mânerelor și dacă s-a utilizat vreun accesoriu de reducere a vibrațiilor și a zgomotului.

Scula este folosită conform indicațiilor din fabrică și conform acestor instrucțiuni.

**Această sculă poate cauza sindromul vibrație mână-braț dacă nu este folosită în mod corespunzător.**



**ATENȚIONARE!** Pentru a fi corectă, estimarea nivelului de expunere în condiții concrete de folosire trebuie să ia în considerare toate părțile ciclului de operare cum ar fi de câte ori scula este oprită și cât timp este pornită dar nu lucrează. Acest lucru poate reduce semnificativ nivelul de expunere de-a lungul perioadei de lucru totale.

Minimalizarea riscului de expunere la vibrații și la zgomot.

Folosiți ÎNTOTDEAUNA dalte, burghiuri și lame ascuțite.

Păstrați acest aparat în conformitate cu aceste instrucțiuni și păstrați-l bine gresat (dacă e cazul).

Dacă unealta va fi utilizată în mod regulat, atunci nu ezitați să investiți în procurarea de accesorii antivibrație și antizgomot.

Planificați-vă programul de lucru pentru a folosi sculele cu număr mare de vibrații de-a lungul a mai multe zile.

## ACCESORII

Lama din lemn	1
Adaptor pentru aspirare (32 mm)	1
Tub de praf (35 mm)	1
Cheie hexagonală	1
Ghid paralel	1

Vă recomandăm să achiziționați accesorii de la același magazin de la care ați cumpărat unealta. Consultați ambalajul accesoriului pentru detalii suplimentare. Personalul din magazin vă poate oferi asistență și sfaturi.

## FERĂSTRĂU CIRCULAR FĂRĂ FIR

### INSTRUCȚIUNI DE OPERARE



**NOTĂ:** Înainte de a utiliza unealta, citiți cu atenție manualul de instrucțiuni.

#### UTILIZAREA RECOMANDATĂ

Mașina este destinată utilizării în gospodărie și în aplicații domestice. Este deosebit de utilă pentru tăierea placajului și a altor materiale similare sub formă de foi. NU este potrivită pentru lame sau discuri de tăiat metal.

#### ÎNAINTE DE A ÎNCEPE OPERAȚIUNEA 1. MONTAREA/SCHIMBAREA UNEI LAME DE FIERĂSTRĂU

**Risc de vătămare la atingerea lamei de ferăstrău.**

**Utilizați doar lame de ferăstrău care corespund datelor de specificație tehnică ale acestei unelte.**

**Nu utilizați în niciun caz discuri de șlefuire ca instrument de tăiere.**

Pentru a schimba lama de ferăstrău, este recomandat să așezați mașina pe o suprafață plană, cu capacul motorului orientat în sus, cu zona lamei și a protecției lamei.

#### - Îndepărtarea lamei de ferăstrău:

Apăsăți butonul de blocare al axului și mențineți-l apăsat.

Slăbiți șurubul lamei în sensul acelor de ceasornic cu cheia hexagonală. Îndepărtați flanșa exterioară. Folosind maneta de eliberare a protecției inferioare, înclinați înapoi protecția inferioară a lamei și mențineți-o ferm în această poziție. Îndepărtați lama de ferăstrău. (Vezi Fig. A1, A2)

#### - Montarea lamei de ferăstrău (Vezi Fig. A3):

Utilizând maneta de protecție inferioară, înclinați înapoi protecția inferioară a lamei și mențineți-o ferm în această poziție. Așezați lama de ferăstrău pe flanșa interioară. Asigurați-vă că direcția dinților de tăiere ai lamei de ferăstrău corespunde indicatorului de rotație a lamei. Așezați flanșa exterioară peste lama, apoi introduceți șurubul lamei. Apăsăți butonul de blocare al axului pentru a bloca axul, apoi

utilizați cheia hexagonală pentru a strânge șurubul lamei în sensul acelor de ceasornic cu 1/4 de rotație mai mult decât strângerea manuală.

**NOTĂ: Asigurați-vă că pozițiile de montare ale flanșei interioare și exterioare sunt corecte.**



**AVERTISMENT:** Dinții lamei sunt foarte ascuțiți. Pentru cele mai bune rezultate de tăiere, asigurați-vă că utilizați o lamă de ferăstrău potrivită materialului și calității de tăiere de care aveți nevoie.

#### 2. REGALAJUL ADÂNCIMII DE TĂIERE (VEZI FIG. B)

Rotiți maneta de blocare a adâncimii de tăiere în sens invers acelor de ceasornic pentru a slăbi și a ridica corpul ferăstrăului de la placa de bază.

Setați adâncimea de tăiere necesară aliniind simbolul triunghiular cu scala de adâncime de tăiere marcată pe spatele protecției fixe. Apoi rotiți maneta de blocare a adâncimii de tăiere în sensul acelor de ceasornic pentru a bloca corpul ferăstrăului și placa de bază.

Adăugați întotdeauna 3 mm la adâncimea de tăiere pentru a permite lamei să taie materialul.

**NOTĂ: Este recomandat să efectuați mai întâi o tăiere de încercare înainte de a tăia piesa de lucru.**

#### 3. AJUSTAREA UNGHIULUI PLĂCII DE BAZĂ (VEZI FIG. C1, C2)

Rotiți blocul de blocare a unghiului plăcii de bază în sensul acelor de ceasornic pentru a slăbi scala unghiului. Înclinați placa de bază departe de mașină. Setați unghiul de înclinare necesar al plăcii de bază aliniind simbolul triunghiular cu scala unghiului plăcii de bază. Strângeți blocul de înclinare rotindu-l în sensul acelor de ceasornic. Nu utilizați scala de adâncime de tăiere atunci când efectuați tăieri în unghi din cauza posibilei inexactități.

#### 4. IESIREA PENTRU EXTRAȚIA PRAFURILOR (VEZI FIG. D)

Fixați adaptorul de aspirație la protecția fixă cu șurubul. Conectați direct un furtun de aspirație potrivit la adaptor.

**NOTĂ: Adaptorul de aspirație nu trebuie**

montat când nu este conectată nicio extracție externă a prafului.

În caz contrar, există pericolul ca sistemul de extracție să se înfunde.


Curățați adaptorul de aspirație regulat pentru a asigura o extracție optimă a prafului. Aspiratorul trebuie să fie potrivit pentru materialul pe care se lucrează.

### 5. PENTRU A ÎNDEPĂRTA SAU INSTALA PACHETUL DE BATERII (NU ESTE INCLUS) (A SE VEDEA FIG. E1, E2)

Pentru a îndepărta pachetul de baterii, apăsați ferm butonul de eliberare a pachetului de baterii, apoi glisați pachetul de baterii din unelte.

Pentru a instala pachetul de baterii, glisați pachetul de baterii complet încărcat pe unelte cu suficientă forță până când se fixează în poziție.

### Operațiuni

 **ATENȚIE!** Înainte de a efectua orice întreținere sau ajustare, asigurați-vă că fierăstrăul este oprit și acumulatorul este îndepărtat. Purtați mănuși de protecție când montați lama de ferăstrău.

### 1. POZIȚIA MÂNERULUI

Țineți întotdeauna ferăstrăul ferm cu ambele mâini în timpul utilizării.

### 2. COMUTATOR DE SIGURANȚĂ ON/OFF (VEZI FIG. F)

Când butonul de blocare este în poziția neutră, comutatorul este blocat. Apăsați butonul de blocare la stânga sau la dreapta, apoi apăsați comutatorul on/off, mașina porneste. Pentru a opri mașina, eliberați comutatorul, butonul de blocare este în poziția neutră și mașina se oprește.

Fierăstrăul dvs. are un frână electrică automată concepută pentru a opri lama din rotație în aproximativ trei secunde, după ce eliberați comutatorul de declanșare.

Este util atunci când realizați anumite tăieturi în lemn, unde o lamă în mișcare ar rezulta într-o tăietură largă și imprecisă.



**ATENȚIE:** Așteptați până când mașina se oprește complet înainte de a o pune jos.

### 3. REGLOAREA GHIDULUI PARALEL (VEZI FIG. G)

Este folosit pentru a realiza tăieturi paralele cu marginea unei piese de lucru la o distanță aleasă. Întâi, rotiți șurubul de blocare a ghidului paralel în sens invers acelor de ceasornic pentru a-l slăbi, apoi glisați brațul ghidului paralel prin spațiul liber pentru a obține distanța de tăiere dorită, apoi rotiți șurubul de blocare în sensul acelor de ceasornic pentru a fixa ferm ghidul paralel.

**NOTĂ:** Este indicat să efectuați o tăietură de încercare.

### 4. GHID DE TĂIERE (VEZI FIG. H1, H2)

Există o marcă de tăiere pe fața plăcii de bază destinată utilizării cu un ghid paralel. Pentru tăieturi drepte, utilizați marcajul de tăiere 0° pentru a alinia cu scala ghidului paralel. Pentru o tăietură în unghi de 45°, utilizați marcajul de tăiere 45° pentru a alinia cu scala ghidului paralel. Strângeți ferm ghidul paralel. Efectuați întotdeauna o tăietură de încercare pentru a verifica setarea.

### 5. TĂIETURI ÎN UNGHIE

Setați unghiul de înclinare necesar între 0° și 45°. Nu utilizați scala de adâncime de tăiere atunci când efectuați tăieturi în unghi din cauza posibilei inexactități.

### 6. DEPOZITARE CHEIE HEXAGONALĂ (VEZI FIG. I)

Cheia hexagonală furnizată poate fi plasată pe placa de bază sub carcasă motorului și lângă butonul de blocare al ghidului paralel.

### 7. LUMINĂ LED (VEZI FIG. J)

Această unealtă are o lumină LED alimentată care se aprinde când ferăstrăul este introdus în pachetul de baterii. Aceasta indică că unealta este activată și crește vizibilitatea - foarte utilă pentru zonele întunecate sau închise.



## FERĂSTRĂU CIRCULAR FĂRĂ FIR

### SUGESTII PENTRU UTILIZAREA FERĂSTRĂULUI TĂIETOR CIRCULAR

Dacă uneltele dumneavoastră electrice devin prea fierbinți, porniți ferăstrăul tăietor circular fără sarcină timp de 2-3 minute pentru a răci motorul. Evitați utilizarea prelungită la viteze foarte reduse.

Utilizați întotdeauna o lamă potrivită materialului și grosimii materialului de tăiat. Calitatea tăierii va crește pe măsură ce numărul de dinți ai lamei crește.

Asigurați-vă întotdeauna că piesa de lucru este ținută ferm sau fixată pentru a preveni mișcarea. Susțineți panourile mari aproape de linia de tăiere. Orice mișcare a materialului poate afecta calitatea tăierii. Lama taie în mișcare ascendentă și poate zgâria suprafața superioară sau marginile piesei tale de lucru. În timpul tăierii, asigurați-vă că suprafața superioară este o suprafață nevizibilă când lucrarea este terminată. Alimentarea prea rapidă reduce semnificativ performanța mașinii și scurtează durata de viață a lamei de ferăstrău. Întotdeauna plasați partea bună a piesei de lucru în jos, pentru a asigura minimul de crăpare.

Utilizați numai lame de ferăstrău ascuțite de tipul corect.

### ÎNTREȚINEREA

**Scoateți acumulatorul din unealtă înainte de a efectua orice ajustări, operațiuni de service sau întreținere.**

Scula electrică nu necesită gresare sau întreținere suplimentară. Nu există piese care pot fi depanate de utilizator în scula electrică. Nu utilizați niciodată apă sau agenți de curățare chimici pentru curățarea sculei electrice. Ștergeți cu o cârpă uscată. Depozitați întotdeauna scula electrică într-un loc uscat. Mențineți fantele de ventilație a motorului curate. Mențineți toate controalele de lucru ferite de praf. Ocazional, puteți vedea scânteii prin fantele de ventilație. Acest lucru este normal și nu deteriorează scula electrică.

### PROTECȚIA MEDIULUI



Produsele electrice nu trebuie depuse la deșeurile împreună cu gunoiul menajer. Vă rugăm să depuneți produsele electrice la unitățile de reciclare existente. Consultați-vă cu autoritățile locale sau cu distribuitorul pentru sfaturi privind reciclarea.

# EC Declarație de Conformitate



Noi : HYUNDAI Corporation Holdings Europe  
Am Kronberger Hang 2A, 65824, Schwalbach am Taunus  
Germany

Declarăm că produsul detaliat mai jos:  
**Ferăstrău circular fără fir**

**MODEL : CS20S-165**

**FUNCȚIE : Tăierea unor diferite materiale cu un disc circular cu dinți**

Satisface cerințele directivelor Consiliului :  
2006/42/EC, 2011/65/EU & (EU)2015/863, 2014/30/EU

Corespunde standardelor :  
EN 62841-1, EN IEC 62841-2-5,  
EN IEC 55014-1, EN IEC 55014-2,  
EN IEC 63000

**Persoana împuternicită să întocmească dosarul tehnic,**  
**Nume : Hyundae Kim**  
**Abordare : HYUNDAI Corporation Holdings Europe**  
**65824 Schwalbach am Taunus, Germany**

Director general

Jaiwon Hur


Manager de proiect

Sungwoo Hong

Data : 2024.09.25

## AKKUMULÁTOROS KÉZI KÖRFŰRÉS Z

# EREDETI HASZNÁLATI UTASÍTÁS TERMÉKBIZTONSÁG ELEKTROMOS KÉZISZERSZÁMOK BIZTONSÁGOS HASZNÁLATÁVAL KAPCSOLATOS ÁLTALÁNOS FIGYELMEZTETÉSEK

 **FIGYELEM!** Olvassa el az összes, ehhez az elektromos kéziszerszámmal mellékelt biztonsági figyelmeztetést, utasítást és részletes ismertetést, illetve tekintse meg az ábrákat. Az alább felsorolt utasítások bármelyikének figyelmen kívül hagyása áramütést, tüzet és/vagy súlyos testi sérüléseket eredményezhet.

Őrizzen meg minden figyelmeztetést és utasítást, a jövőben szüksége lehet ezekre. A figyelmeztetésekben használatos "elektromos kéziszerszám" kifejezés az ön hálózatról üzemeltetett (vezetékes) elektromos kéziszerszámmal vagy akkumulátoros (vezeték nélküli) elektromos kéziszerszámmal vonatkozik.

### 1. A MUNKATERÜLET BIZTONSÁGA

- a) A munkaterületet tartsa tisztán és jól megvilágítva. A zsúfolt vagy sötét munkaterület balesetveszélyes lehet.
- b) Ne üzemeltessen elektromos kéziszerszámot robbanékony légkörben, például gyúlékony folyadékok, gázok vagy por jelenléte mellett. Az elektromos kéziszerszámok használata során szikrák keletkeznek, amelyek hatására a por vagy gáz gyulladhat.
- c) Elektromos kéziszerszámok működtetése közben tartsa távol a gyermekeket és bábáskodókat. A figyelem elterelése kontrollvesztést eredményezhet.

### 2. ELEKTROMOS BIZTONSÁG

- a) Az elektromos kéziszerszámok dugójának illeszkednie kell a dugaljba. Soha,

semmilyen módon ne módosítsa a dugót. Földelt elektromos kéziszerszámokkal ne használjon adaptert. Ha nem módosított dugókat és megfelelő dugaljat használ, azzal csökkenti az áramütés kockázatát.

- b) Ne érintse meg a földelt felületeket, például csöveket, radiátorokat, tűzhelyeket vagy hűtőszekrényeket. Ha a test földelt, nagyobb az áramütés kockázata.
- c) Ne tegye ki esőnek vagy nedves körülményeknek az elektromos kéziszerszámokat. Ha egy elektromos kéziszerszámra víz kerül, megnő az áramütés kockázata.
- d) Vigyázzon a szerszám kábelére. Soha ne hordozza, húzogassa vagy húzza ki az áramból az elektromos kéziszerszámot a kábelnél fogva. A kábelt tartsa távol a hőtől, olajtól, éles peremektől vagy mozgó részekről. A sérült vagy összegubancolódott kábel növeli az áramütés kockázatát.
- e) Ha az elektromos kéziszerszámot szabadterben üzemelteti, használjon külső használatra alkalmas hosszabbítót. A külső használatra alkalmas kábel használatával csökken az áramütés kockázata.
- f) Ha elkerülhetetlen, hogy az elektromos kéziszerszámot nedves helyen működtesse, használjon maradékáramműködtetésű megszakító (RCD) védelemmel rendelkező áramforrást. A maradékáram-működtetésű megszakító használata csökkenti az áramütés kockázatát.

### 3. SZEMÉLYI BIZTONSÁG

- a) Az elektromos kéziszerszám működtetése közben maradjon éber, figyeljen arra, amit csinál, és használja a józan eszét. Ne működtesse az elektromos kéziszerszámot, ha fáradt, illetve gyógyszerek, alkohol vagy drogok hatása alatt áll. Egy pillanatnyi figyelmetlenség az elektromos kéziszerszámok működtetése közben súlyos sérülésekhez vezethet.
- b) Használjon személyi védőfelszereléseket. Mindig használjon szemvédelmet. A személyi védőfelszerelés, például pormaszk, csúszásmentes biztonsági lábbeli, védősisak vagy szükség esetén hallásvédelem használatával csökkenthető a személyi

sérülések kockázata.

- c) Kerülje el, hogy a szerszám véletlenül működésbe lépjen. Mielőtt az elektromos kéziszerszámot áramhoz csatlakoztatná, behelyezné az akkumulátort, felvennie vagy vinné a szerszámot ellenőrizze, hogy a kapcsoló "ki" helyzetbe legyen állítva. Ha a szerszám hordozásakor ujját a kapcsolón tartja, vagy áram alá helyezi a bekapcsolt készüléket, az balesetekhez vezethet.
- d) Mielőtt az elektromos kéziszerszámot bekapcsolná, távolítson el róla minden állítókulcsot. Ha az elektromos kéziszerszám forgórészein állítókulcs marad, az személyi sérüléshez vezethet.
- e) Ne próbáljon túl messzire nyúlni. Mindig vigyázzon, hogy stabilan álljon, és őrizze meg egyensúlyát. Ez segít, hogy váratlan helyzetekben uralja az elektromos kéziszerszámot.
- f) Viseljen megfelelő öltözképet. Ne viseljen bő ruházatot vagy hosszú ékszert. Haját, ruházatát és kesztyűjét tartsa a mozgó alkatrészekről távol. A bő ruházatot, hosszú ékszert vagy hosszú hajat bekapathatják a mozgó elemek.
- g) Ha a szerszámhoz porszívó vagy -gyűjtő is csatlakoztatható, gondoskodjon ezek megfelelő csatlakoztatásáról és használatáról. A porgyűjtő használatával csökkenthetők a porral kapcsolatos kockázatok.
- h) Ne hagyja, hogy a szerszám gyakori használata túl elbizakodottá tegye, és hogy ezáltal figyelmen kívül hagyja a szerszám biztonsági követelményeit. A másodperc töredéke is elég ahhoz, hogy egy figyelmetlen mozdulat súlyos sérüléshez vezessen.

#### 4. AZ ELEKTROMOS KÉZISZERSZÁM HASZNÁLATA ÉS KARBANTARTÁSA

- a) Ne erőltesse az elektromos kéziszerszámot. Mindig megfelelő elektromos kéziszerszámot használjon. Ha a megfelelő elektromos kéziszerszámot használja, azzal a rendeltetési területén jobban és biztonságosabban elvégezhető a munka.
- b) Ne használja az elektromos kéziszerszámot, ha azt nem lehet kikapcsolni. Ha egy elektromos kéziszerszám nem szabályozható a

kapcsolóval, az veszélyes, és javításra szorul.

- c) Mielőtt a szerszámot beállítaná, tartozékokat cserélné, illetve tároláskor húzza ki a dugót az áramforrásból, és/ vagy vegye ki az akkumulátort az elektromos kéziszerszámából. Ezekkel a megelőző biztonsági intézkedésekkel csökken annak a kockázata, hogy a kéziszerszám véletlenül bekapcsoljon.
  - d) Az elektromos kéziszerszámokat használaton kívül tartsa a gyermekektől távol, és ne hagyja, hogy a szerszámot vagy ezeket az utasításokat nem ismerő személyek működtessék azt. A tapasztalatlan felhasználók kezében az elektromos kéziszerszámok veszélyessé válnak.
  - e) Tartsa karban az elektromos kéziszerszámokat. Ellenőrizze, hogy a mozgó elemek megfelelően helyezkednek-e el és nem szorultak-e be, az alkatrészek épek, és semmilyen más hiba nincs kihatással az elektromos kéziszerszám működésére. Ha sérülést talál, használat előtt javíttassa meg a szerszámot. A nem megfelelően karbantartott elektromos kéziszerszámok sok balesetet okoznak.
  - f) A vágószerszámokat tartsa tisztán, és figyeljen, hogy élesek maradjanak. A megfelelően karbantartott, éles vágószerszámok ritkábban akadnak meg, és egyszerűbben irányíthatóak.
  - g) Az elektromos kéziszerszámot, a kiegészítőket és fejeket használja a fenti utasításoknak megfelelően, figyelembe véve a munkakörülményeket és az elvégzendő munkát. Ha az elektromos kéziszerszámot nem rendeltetésszerűen használja, az veszélyhelyzetet teremthet.
  - h) Őrizze szárazon, tisztán, olaj- és zsírmentesen a szerszám fogantyúit és megragadási részeit. A csúszos fogantyúk és megragadási részek főleg váratlan helyzetekben akadályozzák a szerszám biztonságos megfogását, kezelését és irányítását.
- #### 5. AZ AKKUMULÁTOROS KÉZISZERSZÁM HASZNÁLATA ÉS KARBANTARTÁSA
- a) Csak a gyártó által javasolt töltővel töltsen fel. Ha egy adott akkumulátorhoz megfelelő töltőt

## AKKUMULÁTOROS KÉZI KÖRFŰRÉSZ


*másik akkumulátorral használ, az tűzveszélyes lehet.*

- b) Az elektromos kéziszerszámokat csak a kijelölt akkumulátorokkal használja. *Ha más akkumulátorokat használ, az sérülés- és tűzveszélyes.*
- c) Az akkumulátorokat használaton kívül tartsa a fémtárgyaktól, például gémkapcsoktól, pénzérméktől, kulcsoktól, szögektől, csavaroktól vagy más kis fémtárgyaktól távol, mert ezek összekapcsolhatják a pólusokat. *Az akkumulátor pólusainak rövidzárlata égés- és tűzveszélyes.*
- d) Nem megfelelő körülmények között az akkumulátorból folyadék szivároghat; kerülje az érintkezést ezzel a folyadékkal. Véletlen érintkezés esetén mossa le vízzel. *Ha a folyadék szembe kerül, mossa ki vízzel, és forduljon orvoshoz. Az akkumulátorból szivárgó folyadék irritációt vagy égési sérülést okozhat.*
- e) Ne használjon károsodott vagy módosított akkucsomagot vagy szerszámot. *A károsodott vagy módosított akkucsomagok használata előreláthatatlan következményekkel jár, mert ezek felgyulladhatnak, felrobbanhatnak vagy személyi sérüléseket okozhatnak.*
- f) Óvja az akkucsomagot és a szerszámot a tűztől vagy a magas hőmérsékletektől. *A 130°C-t meghaladó hőmérséklet vagy tűz robbanást okozhat.*
- g) Tartsa be az összes újratöltési utasítást és az akkucsomagot vagy a szerszámot csak az utasításokban megadott hőmérsékleti tartományban töltsé újra. *Az előírásoktól vagy a megengedett hőmérsékleti tartománytól eltérő töltési folyamat az akkucsomag károsodását okozhatja, és növeli a tűzveszély kockázatát.*

### 6. SZERVIZ

- a) Az elektromos kéziszerszámot csak képzett szerelő javíthatja megfelelő cserealkatrészekkel. *Ez biztosítja az elektromos kéziszerszám biztonságos működését.*
- b) Soha ne szervelje a károsodott akkucsomagokat. *A károsodott akkucsomagok szervizelését csak a gyártó vagy az erre felhatalmazott szervizközpontok hajthatják végre.*

## BIZTONSÁGI FIGYELMEZTETÉSEK AZ ÖSSZES FŰRÉSRE VONATKOZÓAN FŰRÉSZELESI ELJÁRÁS

- a)  **VIGYÁZAT:** Kezét tartsa távol a vágófelülettől és a fűrészártárcsától. A másik kezét tartsa a kiegészítő karon vagy a motorházon. *Ha két kézzel tartja a fűrész, nem vághatja el kezét a fűrészártárcsával.*
- b) Ne nyúljon a munkadarab alá. *A munkadarab alatt a védőburkolat nem véd a fűrészártárcsától.*
- c) A vágásmélységet a munkadarab vastagságának figyelembe vételével állítsa be. *A fűrészártárcsa fogazatának látható része a munkadarab alatt kisebb kell legyen, mint egy fog magassága.*
- d) A munkadarabot soha ne tartsa a kezében vagy a lábán. Erősítse a munkadarabot merev alappal. *Fontos a megfelelő alátámasztás az egyes testrészek érintkezésének veszélye, a fűrészártárcsa beragadása vagy a kontroll elvesztése esélyének csökkentése érdekében.*
- e) Az elektromos kéziszerszámot csak a szigetelt fogófelületknél fogja meg, ha fennáll a veszélye, hogy a vágásra használt tartozék a rejtett vezetékeket vagy a saját hálózati vezetékét is átvághatja. *Ha a vágótárcsa feszültség alatt álló vezetékhez ér, az elektromos kéziszerszám szabadon álló fémrészei szintén feszültség alá kerülhetnek és áramütést okozhatnak.*
- f) A hosszanti vágásnál mindig használjon vezetőmérceket vagy egyenes vonalú szélvezetőt. *Ezáltal jobb lesz a vágás pontossága, és csökken a fűrészártárcsa beragadásának veszélye.*
- g) Használjon mindig megfelelő nagyságú és alakú befogó nyílású fűrészártárcsát (rombusz vagy kör). *Azok a fűrészártárcsák, amelyek pontosan nem felelnek meg a fűrész befogó részeinek, lökhetnek, vagy a szerszám feletti kontroll elvesztéséhez vezethetnek.*
- h) Soha ne használjon megrongálódott vagy

helytelen alátéteket vagy fűrész tárcsa befogó anyacsavart. A fűrész tárcsához tartozó alátéteket és anyacsavarokat speciálisan a fűrészhez tervezték, az optimális teljesítmény és a munka biztonsága érdekében.

## TOVÁBBI BIZTONSÁGI ELŐÍRÁSOK AZ ÖSSZES FÜRÉSZRE VONATKOZÓAN A VISSZARÚGÁS OKAI ÉS KAPCSOLÓDÓ FIGYELMEZTETÉSEK

- A visszarúgás a beszorult, beblokkolt vagy nem kiegyensúlyozott fűrész tárcsa hirtelen reakciója, mely a fűrész kontroll nélküli mozgását jelentheti, illetve a munkadarabból való kiesését a felhasználó felé.
  - Ha a fűrész tárcsa be van szorulva, vagy teljesen be van blokkolva a vágásban, megáll a motor reakciós ereje, és ez gyors visszalökést jelenthet a felhasználó felé.
  - Ha a fűrész tárcsa el van fordítva, vagy nincs kiegyensúlyozva a vágásban, a fogak a fűrész tárcsa hátsó részén felülről beleütközhetnek a fa felületébe, így a fűrész tárcsa kiugrik a vágásból, a fűrész pedig kiesik a munkadarabból a felhasználó felé.
- A visszarúgás a fűrész helytelen használatának és/vagy annak oka, hogy nincsenek betartva a használati utasítások, amelyek megelőzhetőek az alábbi óvintézkedések figyelembevételével.
- a) **A fűrész fogja erősen, karját pedig tartsa olyan helyzetben, hogy ellenállhasson a visszarúgás erejének. Teste a fűrész tárcsa egyik vagy másik oldalán legyen, de ne egy vonalban a fűrész tárcsával. A visszarúgás következtében a fűrész visszaugorhat, azonban a visszarúgás erejét a felhasználó irányítani tudja, ha betartja a megfelelő biztonsági utasításokat.**
  - b) **Ha a fűrész tárcsa beszorult, vagy bármilyen okból meg kell szakítani a vágást, engedje fel a kapcsolót, és tartsa a fűrész tárcsát a munkadarabban, amíg a fűrész**

teljesen meg nem áll. Soha ne próbálja meg kiemelni vagy visszahúzni a fűrész tárcsát a vágásból, ha a fűrész tárcsa mozgásban van, mivel ez visszarúgáshoz vezethet. Tanulmányozza és tegye meg a szükséges javító intézkedéseket, hogy ki tudja iktatni a fűrész tárcsa beszorulását okozó okokat.

- c) **Ha a körfűrész tárcsát az anyagba merített fűrész tárcsával indítja újra, központossítsa a tárcsát a vágási árokban, és győződjön meg róla, hogy a fogak nem ütköznek az anyagba. Ha a fűrész tárcsa fordulata korlátozva van, az újraindításkor a fűrész kijöhet a munkadarabból, vagy visszarúghat.**
- d) **Ha a nagy lapokat vág, jól támassza ezeket alá, hogy meggátolja a fűrész tárcsa beszorulását és a visszarúgást. Saját súlyukból kifolyólag, a nagy lapok hajlamosak az elhajlásra. Úgy a vágás közelében, mint a lap széle közelében, a lap alá mindkét oldalról egy-egy alátétet kell helyezni.**
- e) **Ne használjon tompa vagy megrongált körfűrész tárcsákat. Az élettelen vagy helytelen beállítású fűrész tárcsák keskeny vágási árkot képeznek, és ezáltal nagy súrlódást okoznak, amely korlátozza a fűrész tárcsa forgását, és visszarúgáshoz vezethet.**
- f) **Mielőtt vágni kezd, szorítsa meg és rögzítse a fűrész tárcsa vágásmélység- és szögbeállító lezáró karjait. Ha vágás közben változik a fűrész tárcsa beállításának helyzete, ez a fűrész tárcsa beszorulásához és visszarúgáshoz vezethet.**
- g) **Legyen különösen óvatos, amikor falba vagy olyan helyre meríti a körfűrész tárcsát, ahová nem lát be. A fűrész tárcsa, amely átjut a munkadarab másik oldalára, akadályba ütközhet, és ez visszarúgást eredményezhet.**

## AKKUMULÁTOROS KÉZI KÖRFŰRÉS Z

### BELSŐ LENGŐVÉDŐVEL FELSZERELT KÖRFŰRÉSZEKRE VONATKOZÓ BIZTONSÁGI UTASÍTÁSOK ALSÓ VÉDŐFUNKCIÓ

- a) Minden használat előtt ellenőrizze, hogy az alsó védőburkolat rendesen zárjon. Ne dolgozzon a fűrészszel, ha az alsó védőburkolat nem mozog szabadon, és nem zár azonnal. Soha ne biztosítsa be a védőburkolatot nyitott helyzetben szorítóval vagy kikötéssel. *Ha a fűrész véletlenül a földre esik, a védőburkolat elhajolhat. Ellenőrizze, hogy a védőburkolat szabadon mozog-e bármilyen szögű kinyitáskor, vagy a beállított vágás mélység nem érinti-e a körfűrész tárcsáját, és a körfűrész valamelyik részét.*
- b) Ellenőrizze a védőburkolat rugójának működését. Ha a védőburkolat és a rugó működése nem megfelelő, használat előtt ezt meg kell javítani. *Az alsó védőburkolat lassan reagálhat valamely részének megrongálódása, ragacsos lerakódások vagy szennyeződések miatt.*
- c) Az alsó védőburkolatot csak speciális vágások, például "bemerítő vágás" vagy "kombinált vágás" esetén szabad kézzel visszahúzni. A kart visszahúzva emelje fel az alsó védőburkolatot, majd amikor a körfűrész tárcsája behatol az anyagba, engedje le az alsó védőburkolatot. *Az alsó védőburkolat működésének minden más vágás esetében automatikusnak kell lennie.*
- d) Mielőtt a körfűrész a munkaszaltra vagy az aljzatra engedi, ellenőrizze, hogy a védőburkolat teljesen fedi-e a körfűrész tárcsáját. *A nem védett kifutó fűrészszel tárcsa a fűrész visszairányuló mozgását eredményezheti, és vág mindent, ami az útjában van. Legyen tudtában annak, hogy mennyi ideig tart a körfűrész tárcsájának leállása a kapcsoló kikapcsolásától számítva.*

### TOVÁBBI BIZTONSÁGI SZABÁLYOK A KÖRFŰRÉSSEL KAPCSOLATBAN

1. Csak az EN 847-1 szabványnak megfelelő és a gyártó által ajánlott, fához vagy hasonló anyagok elfűrészeléséhez való körfűrész tárcsákat használjon.
2. Ne használjon köszörűköveket.
3. Ne használjon semmilyen csiszolókorongot.
4. Csak a jelöléseknek megfelelő fűrészszel tárcsa-átmérő(ke)t használjon.
5. Csak a gépen feltüntetett fordulatszámmal egyenlő vagy annál nagyobb fordulatszámmal működtethető körfűrész tárcsákat használjon.

### SZIMBÓLUMOK



A sérülésveszély csökkentése érdekében a felhasználónak el kell olvasnia az utasításokat



Figyelmeztetés



Viseljen fülvédőt



Viseljen szemvédőt



Viseljen pormaszkot



A leselejtezett elektromos készülékek nem dobatók ki a háztartási hulladékkal. Ha van a közelben elektromos hulladék gyűjtő udvar, vigye oda a készüléket. Az újrahasznosítási lehetőségekről tájékozódjon a helyi hatóságoknál vagy a kereskedőnél.

## ALKATRÉSZLISTA

1. AKKUMULÁTORCSOMAG*
2. AKKUMULÁTORCSOMAG KIOLDÓ GOMB*
3. FOGANTYÚ
4. BE/KI KAPCSOLÓ
5. BLOKKOLÓ GOMB
6. ELSŐ FOGANTYÚ
7. ALAPLAP
8. PÁRHUZAMOS ÚTMUTATÓ
9. FÉMLAPÁT
10. ALSÓ LÉGMENNYEZET VÉDŐ
11. LÉGMENNYEZET CSAVAR
12. ALSÓ VÉDŐ KIOLDÓ KAR
13. POR SZÍVÓ CSATLAKOZÓ
14. FŐTENGELY ZÁRÓ GOMB (LÁSD A1. ÁBRA)
15. BELSŐ FLANCS (LÁSD A3. ÁBRA)
16. KÜLSŐ FLANCS (LÁSD A3. ÁBRA)
17. VÁGÁSI MÉLYSÉG ZÁRÓ KAR (LÁSD B. ÁBRA)
18. ALAPLAP DÖNTHETŐ ZÁRÓ KAR (LÁSD C1. ÁBRA)
19. PÁRHUZAMOS ÚTMUTATÓ RÖGZÍTŐ CSAVAR (LÁSD G. ÁBRA)
20. HEXA KULCS (LÁSD I. ÁBRA)
21. LED VILÁGÍTÁS (LÁSD J. ÁBRA)

\* Az alapkivitelnek nem része az illusztrációkon vagy leírásban szereplő mindegyik tartozék.

## MŰSZAKI ADATOK

Típus CS20S-165 (20S-165-a gép megnevezése, körfűrész típus)

Feszültség	18V $\equiv$ (20V Max.)	
Üresjárat sebesség	4500/min	
Fűrészlap mérete	165mm	
Furatméret	20mm	
Ferde vágás szögtartománya	0-50°	
Vágási kapacitás:	Vágási mélység 90°-nál	55mm
	Vágási mélység 45°-nál	38mm
Gép súlya (akkumulátor nélkül)	2.44kg	



## AKKUMULÁTOROS KÉZI KÖRFŰRÉS

### ALKALMAS AKKUMULÁTOR CSOMAGOK

Tételszám	BI20-2	BI20-4
Akkumulátor teljesítmény	2.0Ah	4.0Ah
	Nem tartalmazza	Ajánlott (nem tartalmazza)

### ALKALMAS TÖLTŐK

Tételszám	C20-2	C20-4
Töltő bemenet	100-240V~50/60Hz, 55W	100-240V~50/60Hz, 95W
Töltő kimenet	20V $\overline{=}$ 2.0A	20V $\overline{=}$ 4.0A
Töltési idő (kb.)	1hr (2.0 Ah) 2hrs (4.0 Ah)	30mins (2.0 Ah) 60mins (4.0 Ah)
A töltő védelmi osztálya	$\square$ /II	$\square$ /II
	Nem tartalmazza	Nem tartalmazza

### ZAJVÉDELMI TÁJÉKOZTATÁS

A-súlyozású hangnyomásszint:  $L_{pA}$ : 90.1 dB (A)  $K_{pA}$ = 3 dB(A)

A-súlyozású hangerő:  $L_{wA}$ : 98.1 dB (A)  $K_{wA}$ = 3 dB(A)

**Viseljen fülvédőt.**

### REZGÉSÉRTÉKEK

Az EN62841 szabvány szerint meghatározott összes rezgés (háromtengelyű vektoriálisösszeg) a következő:	
Favágás fa	Rezgés kibocsátás: $a_{h,w} = 2.778 \text{ m/s}^2$
	Bizonytalanság $K = 1.5 \text{ m/s}^2$

A vibráció és a zaj bejelentett összértékét szabványos mérési módszerrel állapították meg, és ezeket az értékeket két szerszám összehasonlításához is fel lehet használni.

A vibráció és a zaj bejelentett összértékeit a rezgéseknek és zajátlomnak való kitétség előzetes felbecsléséhez is fel lehet használni.

**FIGYELEM!** A kéziszerszám aktuális használatakor mérhető vibráció és zajkibocsátási értékek eltérhetnek a bejelentett értékektől, mert nagyban függnek a szerszám használati módjától és a megmunkált alkatrész típusától. Íme néhány példa és eltérő érték a szerszám használatától függően:

Hogyan használják a szerszámot, milyen anyagokat vágják vagy fúrják.

Az eszköz jó állapotban van-e, megfelelően karbantartják-e.

Megfelelő tartozékokat használnak-e az eszközhöz, vigyáznak-e, hogy éles legyen, és jó állapotban maradjon.

A fogantyú megragadásának erősségétől és az esetleg használt vibrációs- és zajcsökkentő tartozék típusától.

A szerszámot rendeltetésszerűen, kialakításának és a jelen utasításoknak megfelelően használják-e.

**Ha a szerszámot nem kezelik megfelelően, kéz-kar vibrációs szindrómát okozhat.**

**FIGYELEM!** A pontosság érdekében az expozíciós szint becsült értékéhez a valós használati körülmények között figyelembe kell venni a működési ciklus valamennyi elemét, így azt az időt is, amikor a szerszám ki van kapcsolva, és amikor üresjáratban működik. Ez a teljes munkaidőszak viszonylatában jelentősen csökkentheti az expozíciós szintet.

A vibrációnak és zajnak való kitettség kockázatának csökkentése.

**MINDIG** éles vésőt, pengét, és hegyes fűrőfejet használjon.

Az eszközt jelen utasításoknak megfelelően tartsa karban, és vigyázzon a megfelelő kenésre (ahol erre szükség van).

Ha a szerszám rendszeres használatát tervezik, akkor megéri a vibráció- és zajcsökkentő tartozékok beszerzése.

Úgy tervezze meg a munkáját, hogy a magas rezgésszámú eszközök használatát igénylő feladatokat több napra ossza el.

## TARTOZÉKOK

Fa lapát	1
Porszívó adapter (32mm)	1
Porcső (35mm)	1
Hexa kulcs	1
Párhuzamos útmutató	1

Javasoljuk, hogy a tartozékokat ugyanabból a boltból vásárolja meg, ahol a szerszámot is vásárolta. További részleteket a tartozék csomagolásán talál. Kérjen segítséget és tanácsot a bolti eladóktól.

## AKKUMULÁTOROS KÉZI KÖRFŰRÉS

### HASZNÁLATI UTASÍTÁSOK



**MEGJEGYZÉS:** A szerszám használata előtt olvassa el figyelmesen a használati útmutatót.

#### RENDELTETÉSSZERŰ HASZNÁLAT

A gép otthoni és háztartási felhasználásra készült. Különösen hasznos rétegelt lemez és hasonló lemezek vágásához. NEM alkalmas fém vágólapok vagy lemezek vágására.

#### MŰKÖDÉS ELŐTT

**1. FŰRÉSZLAP FELSZERELÉSE/CSERÉJE**  
Veszélyes sérülésveszély a fűrészlappal való érintkezéskor.

Csak olyan fűrészlapot használjon, amely megfelel ennek a szerszámnak a technikai specifikációs adatainak.

Ne használjon semmilyen kör alakú vágóeszközt.

A fűrészlap cseréjéhez a gépet a motor végtakaróval egy lapos felületre kell helyezni, a fűrészlapnak és a védőlemez területének felfelé nézve.

#### - A fűrészlap eltávolítása:

Nyomja meg a főtengely záró gombot, és tartsa lenyomva.

Lazítsa ki a fűrészlap csavart óramutató irányban a hexa kulccsal. Távolítsa el a külső flancot. Használva az alsó védő kar karját, hajtsa vissza az alsó védőlemezt, és tartsa erősen ebben a pozícióban. Távolítsa el a fűrészlapot. (Lásd A1., A2. ábrát)

#### - Fűrészlap felszerelése (Lásd A3. ábrát):

Használja az alsó védőkar kart, hajtsa vissza az alsó védőlemezt, és tartsa erősen ebben a pozícióban. Helyezze a fűrészlapot a belső flancra. Győződjön meg arról, hogy a fűrészlap vágófogainak iránya megegyezik a fűrészlappal való forgás irányával jelzéssel. Helyezze a külső flancot a fűrészlaphoz, majd helyezze be a fűrészlap csavart. Nyomja meg a főtengely záró gombot a tengely rögzítéséhez, majd használja a hexa kulcsot az óramutató irányával ellentétes irányba, mintegy 1/4 fordulattal a kézfejehez képest szorosabban.

**MEGJEGYZÉS:** Ügyeljen arra, hogy a belső és külső flancok felszerelési helyzetei helyesek legyenek.



**FIGYELEM:** A fűrészlap fogai nagyon élesek. A legjobb vágási eredmények eléréséhez győződjön meg róla, hogy olyan fűrészlapot használ, amely megfelel az Ön által szükséges anyagnak és vágási minőségnek.

#### 2. VÁGÁSI MÉLYSÉG BEÁLLÍTÁSA (LÁSD B. ÁBRÁT)

Forgassa el a vágási mélység záró gombot az óramutatóval ellentétes irányba, hogy lazítsa, és emelje fel a fűrész testét a talpazatról. Állítsa be a szükséges vágási mélységet a hátsó fix védőn jelzett háromszög szimbólum igazításával. Ezután fordítsa el a vágási mélység záró gombot az óramutató irányába, hogy rögzítse a fűrész testét és a talpazatot. Mindig adjon hozzá 3 mm-t a vágási mélységhez, hogy a fűrészlap át tudja vágni az anyagot.

**MEGJEGYZÉS:** Ajánlott először próbavágást végezni, mielőtt elkezdené munkadarabját vágni.

#### 3. ALAPLAP DŐLÉSSZÖG BEÁLLÍTÁSA (LÁSD C1, C2 ÁBRÁT)

Fordítsa el az alaplapon található dőlésszög záró gombot az óramutatóval ellentétes irányba, hogy lazítsa a dőlésszög skálát. Döntse el az alaplapon a géptől távolabb. Állítsa be a szükséges dőlésszöget úgy, hogy a háromszög szimbólumot igazítsa a talpazati dőlésszög skálájához. Húzza meg a dőlésszög záró gombot az óramutatóval megegyező irányba való fordításával. Ne használja a vágási mélység skálát dönt vágások készítésekor a lehetséges pontatlanság miatt.

#### 4. POR ELVEZETÉS KIVEZETÉS (LÁSD D ÁBRÁT)

Rögzítse a porszívó adaptert a rögzített védővel a csavarral. Közvetlenül csatlakoztassa a megfelelő porszívó tömlőt az adapterhez.

**MEGJEGYZÉS:** A porszívó adaptert nem szabad felszerelni, ha nincs külső por elvezetés csatlakoztatva.

Ellenkező esetben fennáll a veszélye annak, hogy a elvezetési rendszer eldugul.

Tisztítsa meg rendszeresen a porszívó adaptert annak érdekében, hogy optimális por elvezetést biztosítson.


**A porszívónak megfelelőnek kell lennie az anyaghoz, amelyen dolgozik.**

### 5. A KAMPÓS ÉS HUOKKAL ELLÁTOTT CSISZOLÓPAPÍR FELSZERELÉSE (NEM TARTALMAZZA) (LÁSD E1, E2. ÁBRÁT)

Akkumulátor csomag eltávolításához először erőteljesen nyomja le az akkumulátor csomag kioldó gombját, majd csúsztassa ki az akkumulátor csomagot a gépből.

Az akkumulátor csomag telepítéséhez csúsztassa fel a teljesen feltöltött akkumulátor csomagot a gépre megfelelő erővel, amíg kattantást nem hall.

### ÜZEMBE HELYEZÉS


 **FIGYELEM!** Mielőtt bármilyen karbantartást vagy beállítást végezne, győződjön meg róla, hogy a fűrészst kikapcsolták, és az akkumulátor eltávolításra került. Viseljen védőkesztyűt, amikor a fűrészlapot felszereli.

### 1. FOGÁS POZÍCIÓJA

Mindig szorosan tartsa a fűrészst mindkét kézzel, amikor működteti.

### 2. BIZTONSÁGI BE/KI KAPCSOLÓ (LÁSD F ÁBRÁT)

Amikor a zároló gomb a semleges helyzetben van, a kapcsoló zárolt. Nyomja meg a zároló gombot balra vagy jobbra, majd nyomja meg a be/kikapcsoló gombot, a gép elindul. A gép kikapcsolásához engedje el a kapcsolót, a zárógomb semleges helyzetben van, és a gép leáll. A fűrészre egy automatikus elektromos fékkel rendelkezik, amely a kapcsoló kiengedése után körülbelül három másodperc alatt megállítja a fűrészlapot. Hasznos, amikor bizonyos vágásokat hajt végre fában, ahol egy szabadon futó fűrészlap széles és pontatlan vágást eredményezne.

 **FIGYELEM:** Várja meg, amíg a gép teljesen leáll, mielőtt letenné.

### 3. PÁRHUZAMOS VEZETÉS BEÁLLÍTÁSA (LÁSD G ÁBRÁ)

A munkadarab élével párhuzamos vágások készítésére szolgál egy kiválasztott távolságban. Először forgassa el a párhuzamos vezető rögzítőcsavarját az óramutató járásával ellentétes irányba, hogy meglazítsa, majd csúsztassa át a párhuzamos vezetőkart a résen a kívánt vágási távolság eléréséhez, majd forgassa el a rögzítőcsavart az óramutató járásával megegyező irányba, hogy szilárdan rögzítse a párhuzamos vezetőt.

**MEGJEGYZÉS:** A legjobb, ha próbavágást végez.

### 4. VÁGÁSI ÚTMUTATÓ (LÁSD H1, H2 ÁBRÁ)

Az alaplap elülső részén egy vágási nyom bevágás található a párhuzamos vezetővel való használatra. Egyenes vágásokhoz használja a 0° vágási jelet a párhuzamos vezetőskála beállításához. 45 fokhoz ferde vágás, használja a 45°-os vágási jelet a párhuzamos vezetőskála beállításához. Biztonságosan rögzítse a párhuzamos vezetőt. Mindig végezzen próbavágást a beállítás ellenőrzéséhez.

### 5. DŐLÉSVÁGÁSOK

Állítsa be a szükséges dőlésszöveget 0° és 45° között. Ne használja a vágásmélység skálát dőlésvágások készítésekor a lehetséges pontatlanság miatt.

### 6. HEX KULCS TÁROLÁS (LÁSD I ÁBRÁT)

A mellékelt hatszögű kulcsot el lehet helyezni a talplemez alatt a motorházzal és a párhuzamos vezető záró gombjával szomszédos helyre.

### 7. LED VILÁGÍTÁS (LÁSD J ÁBRÁT)

Ez az eszköz rendelkezik egy tápellátással működő LED világítással, amely akkor világít fel, amikor a fűrészst beillesztik az akkumulátorba. Ez jelzi, hogy az eszköz aktíválva van, és növeli a láthatóságot - nagyon hasznos sötét vagy zárt területeken.

## AKKUMULÁTOROS KÉZI KÖRFŰRÉS

### AZ ÖN KÖRKÖRÖS FŰRÉSZE MUNKÁVAL KAPCSOLATOS TANÁCSAI

Ha a szerszám túlmelegszik, 2-3 percig működtesse üresjáratban a körkörös fűrész a motor lehűtéséhez. Kerülje a hosszantartó használatot nagyon alacsony sebességeknél. Mindig olyan pengét használjon, amely megfelel az anyagnak és annak vastagságának, amelyet vágni kíván. A vágás minősége javul, ahogy a penge fogai száma nő.

Mindig győződjön meg róla, hogy a munkadarabot szilárdan tartsa vagy rögzítse, hogy elkerülje a mozgást. Támassza alá a nagy paneleket a vágási vonal közelében. Az anyag bármilyen mozgása befolyásolhatja a vágás minőségét. A penge az emelkedő ütemben vág, és megkarcolhatja a munkadarab felső felületét vagy élet.

Vágás közben győződjön meg róla, hogy a felső felület nem lesz látható, amikor a munka befejeződik. A túl gyors előtolás jelentősen csökkenti a gép teljesítményét és lerövidíti a fűrészpenge élettartamát. Mindig fordítsa a munkadarab jó oldalát lefelé, hogy minimalizálja a szálkák keletkezését.

Csak megfelelő típusú éles fűrészpenget használjon.

### KARBANTARTÁS

Bármilyen állítás, javítás vagy karbantartási művelet előtt vegye ki a szerszámból az akkumulátort.

Az elektromos szerszáma nem igényel további kenést és karbantartást. Nincsenek a felhasználó által javítható alkatrészek a szerszámban. Soha ne használjon vizet vagy vegyi tisztítószereket a szerszámban. Törölje le egy száraz ruhával. Mindig tárolja a szerszámban száraz helyen. Tartsa a motor szellőzőnyílásait. Tartsa a munka ellenőrzése a portól. A szellőzőnyílásokon keresztül néha szikrák láthatók. Ez természetes, nem okoz kárt az elektromos kéziszerszámban.

### KÖRNYEZETVÉDELEM



A leselejtezett elektromos készülékek nem dobhatók ki a háztartási hulladékkal. Ha van a közelben elektromos hulladék gyűjtő udvar, vigye oda a készüléket. Az újrahasznosítási lehetőségekről tájékozódjon a helyi hatóságoknál vagy a kereskedőnél.

# EC megfelelőségi nyilatkozat



Mi : HYUNDAI Corporation Holdings Europe  
Am Kronberger Hang 2A, 65824, Schwalbach am Taunus  
Germany

Kijelentjük, hogy az alábbi részletezett termék :  
**Akkumulátoros kézi körfűrész**

**MODELL : CS20S-165**  
**FUNKCIÓ : Különböző anyagok vágása egy forgó, fogazott  
fűrész tárcsa segítségével**

Megfelel a Tanács irányelveinek követelményeinek :  
2006/42/EC, 2011/65/EU & (EU)2015/863, 2014/30/EU

A szabványok megfelelnek az :  
EN 62841-1, EN IEC 62841-2-5,  
EN IEC 55014-1, EN IEC 55014-2,  
EN IEC 63000

A műszaki dokumentáció összeállítására jogosult személy,  
Név : Hyundae Kim  
Cím : HYUNDAI Corporation Holdings Europe  
65824 Schwalbach am Taunus, Germany

HU

Ügyvezető igazgató

Jaiwon Hur

Projektmenedzser

Sungwoo Hong

Dátum : 2024.09.25

## MÁY CỬA ĐĨA DÙNG PIN

# HƯỚNG DẪN AN TOÀN SẢN PHẨM

## HƯỚNG DẪN VỀ AN TOÀN SẢN PHẨM

### CẢNH BÁO CHUNG VỀ AN TOÀN DỤNG CỤ ĐIỆN



**CẢNH BÁO!** Đọc tất cả các cảnh báo, hướng dẫn, hình ảnh minh họa và thông số kỹ thuật được cung cấp kèm theo dụng cụ điện này. Việc không tuân theo tất cả các hướng dẫn được liệt kê dưới đây có thể dẫn đến điện giật, hỏa hoạn và/hoặc thương tích nghiêm trọng.

Lưu tất cả các cảnh báo và hướng dẫn để tham khảo trong tương lai.

Thuật ngữ "dụng cụ điện" trong các cảnh báo để cập đến dụng cụ điện chạy bằng nguồn điện (có dây) hoặc dụng cụ điện chạy bằng pin (không dây).

#### 1. AN TOÀN KHU VỰC LÀM VIỆC

- Giữ khu vực làm việc sạch sẽ và đủ ánh sáng. Những khu vực bừa bộn hoặc tối tăm dễ gây tai nạn.
- Không vận hành dụng cụ điện trong môi trường dễ cháy nổ, chẳng hạn như nơi có chất lỏng, khí hoặc bụi dễ cháy. Dụng cụ điện tạo ra tia lửa điện có thể đốt cháy bụi hoặc khói.
- Giữ trẻ em và những người xung quanh tránh xa khi vận hành dụng cụ điện. Sự xao lãng có thể khiến bạn mất kiểm soát.

#### 2. AN TOÀN ĐIỆN

- Phích cắm của dụng cụ điện phải khớp với ổ cắm. Không bao giờ sửa đổi phích cắm theo bất kỳ cách nào. Không sử dụng bất kỳ phích cắm chuyển đổi nào với dụng cụ điện được nối đất (nối đất). Phích cắm nguyên bản và ổ cắm phù hợp sẽ giảm nguy cơ bị điện giật.
- Tránh tiếp xúc cơ thể với dây hoặc các bề mặt được nối đất, chẳng hạn như đường ống, bộ tản nhiệt, bếp nấu và tủ lạnh. Nguy cơ bị điện giật sẽ tăng lên nếu cơ thể bạn được nối đất hoặc tiếp đất.
- Không để dụng cụ điện tiếp xúc với mưa hoặc điều kiện ẩm ướt. Nước lọt vào dụng cụ điện sẽ làm tăng nguy cơ bị điện giật.

- Không được sử dụng dây điện để mang, kéo hoặc rút phích cắm dụng cụ điện. Giữ dây xa nguồn nhiệt, dầu máy, vật sắc nhọn sắc hoặc các bộ phận chuyển động. Dây bị hư hỏng hoặc vướng víu làm tăng nguy cơ bị điện giật.
- Khi vận hành dụng cụ điện ngoài trời, hãy sử dụng dây điện nổi dài phù hợp để sử dụng ngoài trời sẽ giảm nguy cơ bị điện giật.
- Nếu bắt buộc phải vận hành dụng cụ điện ở nơi ẩm ướt, hãy sử dụng nguồn điện được bảo vệ bằng thiết bị chống dòng rò (RCD). Sử dụng RCD giúp giảm nguy cơ bị điện giật.

#### 3. AN TOÀN CÁ NHÂN

- Hãy cảnh giác, quan sát và phán đoán những gì bạn đang làm khi vận hành dụng cụ điện. Không sử dụng dụng cụ điện khi bạn đang mệt mỏi hoặc đang chịu ảnh hưởng của ma túy, rượu hoặc được phẩm. Một khoảnh khắc mất tập trung trong khi vận hành dụng cụ điện có thể dẫn đến thương tích cá nhân nghiêm trọng.
- Sử dụng thiết bị bảo hộ cá nhân. Luôn đeo kính bảo vệ mắt. Thiết bị bảo hộ như mặt nạ chống bụi, giày an toàn chống trượt, mũ cứng hoặc thiết bị bảo vệ thính giác được sử dụng trong điều kiện thích hợp sẽ giảm thương tích cá nhân.
- Phòng ngừa việc vô tình khởi động máy. Đảm bảo công tắc ở vị trí tắt trước khi kết nối với nguồn điện và/hoặc bộ pin, khi nhắc hoặc mang dụng cụ. Mang các dụng cụ điện với ngón tay của bạn trên công tắc hoặc cung cấp năng lượng cho các dụng cụ điện có công tắc đang ở trạng thái ON sẽ gây ra tai nạn.
- Tháo mặt khóa điều chỉnh hoặc cờ lê trước khi bắt dụng cụ điện. Cờ lê hoặc chìa khóa còn gắn vào bộ phận quay của dụng cụ điện có thể gây thương tích cá nhân.
- Hãy giữ thăng bằng. Giữ chỗ đứng thích hợp và lúc nào cũng cân bằng. Điều này cho phép kiểm soát dụng cụ điện tốt hơn trong những tình huống không mong muốn.
- Ăn mặc đúng cách. Không mặc quần áo rộng thùng thình hoặc đeo đồ trang sức. Giữ tóc và quần áo của bạn tránh xa các bộ phận chuyển động. Quần áo rộng, đồ trang sức hoặc tóc dài có thể bị vướng vào các bộ

*phận chuyên động.*

- g) Nếu các thiết bị được cung cấp để gắn các bộ phận hút và thu gom bụi, hãy đảm bảo các thiết bị này được gắn và sử dụng đúng cách. Sử dụng bộ phận thu gom bụi sẽ giảm bớt các nguy hiểm liên quan đến bụi.
- h) Đừng để sự quen thuộc có được từ việc thường xuyên việc sử dụng các dụng cụ cho phép bạn trở nên tự mãn và bỏ qua các nguyên tắc an toàn của dụng cụ. Một hành động bất cẩn có thể gây thương tích nghiêm trọng trong vòng chưa đầy một giây.

#### 4. SỬ DỤNG VÀ BẢO QUẢN DỤNG CỤ ĐIỆN

- a) Không sử dụng quá tải dụng cụ điện. Hãy chọn đúng dụng cụ để sử dụng cho ứng dụng của bạn. Dụng cụ điện phù hợp sẽ thực hiện công việc tốt hơn và an toàn hơn theo đúng công năng được thiết kế.
- b) Không sử dụng dụng cụ điện nếu công tắc không bật và tắt được. Bất kỳ dụng cụ điện nào không thể điều khiển được bằng công tắc đều nguy hiểm và phải được sửa chữa.
- c) Ngắt kết nối phích cắm khỏi nguồn điện nguồn và/hoặc tháo bộ pin (nếu có thể tháo rời) khỏi dụng cụ điện trước khi thực hiện bất kỳ điều chỉnh, thay đổi nào, hoặc cất giữ dụng cụ điện. Những hành động phòng ngừa này làm giảm nguy cơ vô tình khởi động dụng cụ điện.
- d) Cất giữ các dụng cụ điện không sử dụng ngoài tầm với của trẻ em và không cho phép những người không quen với dụng cụ điện hoặc những hướng dẫn này vận hành dụng cụ điện. Dụng cụ điện rất nguy hiểm khi nằm trong tay người sử dụng chưa qua đào tạo.
- e) Bảo trì các dụng cụ điện và phụ kiện. Kiểm tra xem các bộ phận chuyên động có bị lệch hoặc bị kẹt, các bộ phận có bị gãy hay không và bất kỳ tình trạng nào khác có thể ảnh hưởng đến hoạt động của dụng cụ điện. Nếu bị hư hỏng, hãy sửa chữa dụng cụ điện trước khi sử dụng. Nhiều vụ tai nạn xảy ra do dụng cụ điện được bảo trì kém.
- f) Giữ dụng cụ cất luôn sắc bén và sạch sẽ. Các dụng cụ cất được bảo trì đúng cách với các cạnh sắc bén sẽ ít bị kẹt hơn và dễ kiểm soát hơn.
- g) Sử dụng dụng cụ điện, phụ kiện và mũ

khoan, v.v. theo các hướng dẫn này, có tính đến các điều kiện làm việc và công việc sẽ được thực hiện. Việc sử dụng dụng cụ điện cho những hoạt động khác với dự định có thể dẫn đến tình huống nguy hiểm.

- h) Giữ tay cầm và bề mặt cầm nắm khô ráo, sạch sẽ và không dính dầu mỡ. Tay cầm và bề mặt cầm trơn trượt không cho phép xử lý và điều khiển dụng cụ một cách an toàn trong các tình huống bất ngờ.

#### 5. SỬ DỤNG VÀ BẢO QUẢN DỤNG CỤ DÙNG PIN

- a) Chỉ sạc lại bằng bộ sạc do nhà sản xuất chỉ định. Bộ sạc phù hợp với một loại pin này có thể gây nguy cơ cháy nổ khi sử dụng với một loại pin khác.
- b) Chỉ sử dụng dụng cụ điện với bộ pin được chỉ định cụ thể. Việc sử dụng bất kỳ bộ pin nào khác có thể gây ra nguy cơ chấn thương và hỏa hoạn.
- c) Khi không sử dụng bộ pin, hãy để pin cách xa các vật kim loại mà có thể tạo kết nối từ cực này sang cực khác như kẹp giấy, đồng xu, chìa khóa, đinh, ốc vít hoặc các vật kim loại nhỏ khác. Việc chạm mạch các cực của pin với nhau có thể gây bùng hoặc cháy.
- d) Trong điều kiện khắc nghiệt, chất lỏng có thể bắn ra khỏi pin; tránh tiếp xúc. Nếu vô tình xảy ra tiếp xúc, hãy xả bằng nước. Nếu chất lỏng tiếp xúc với mắt, hãy tìm kiếm sự trợ giúp y tế. Chất lỏng bắn ra từ pin có thể gây kích ứng hoặc bỏng.
- e) Không sử dụng bộ pin hoặc dụng cụ bị hư hỏng hoặc bị sửa đổi. Pin bị hư hỏng hoặc bị sửa đổi có thể có biểu hiện hoạt động không thể đoán trước dẫn đến cháy, nổ hoặc có nguy cơ gây thương tích.
- f) Không để bộ pin hoặc dụng cụ tiếp xúc với lửa hoặc nhiệt độ quá cao. Tiếp xúc với lửa hoặc nhiệt độ trên 130°C có thể gây nổ.
- g) Thực hiện theo tất cả các hướng dẫn sạc, không sạc bộ pin hoặc dụng cụ ngoài phạm vi nhiệt độ được chỉ định trong hướng dẫn. Sạc không đúng cách hoặc sạc ở nhiệt độ ngoài phạm vi quy định có thể làm hỏng pin và tăng nguy cơ cháy nổ.

#### 6. DỊCH VỤ

- a) Hãy để người sửa chữa có trình độ chuyên môn bảo trì dụng cụ điện của bạn và chỉ sử



## MÁY CỬA ĐĨA DỪNG PIN

dụng các phụ tùng giống hệt nhau để thay thế. Điều này sẽ đảm bảo rằng sự an toàn của dụng cụ điện được duy trì.

- b) Không được sửa chữa bộ pin bị hỏng. Việc sửa chữa bộ pin chỉ được thực hiện bởi nhà sản xuất hoặc nhà cung cấp dịch vụ được ủy quyền.

## NHỮNG CHỈ DẪN AN TOÀN CHO TẤT CẢ CÁC QUY TRÌNH CỬA

- a) **⚠️ NGUY HIỂM:** Để tay tránh xa khu vực cắt và lưỡi cửa, Giữ tay cẩn lịn trên tay cầm phụ hoặc vỏ động cơ. Nếu cả hai tay đều cầm cửa thì lưỡi cửa không thể cắt được chúng.
- b) Không chạm vào bên dưới phôi. Tấm chắn không thể bảo vệ bạn khỏi lưỡi cửa bên dưới phôi gia công.
- c) Điều chỉnh độ sâu cắt theo độ dày của phôi. Ít hơn một răng đầy đủ của các răng lưỡi cửa sẽ được nhìn thấy bên dưới phôi.
- d) Không bao giờ cầm vật gia công bằng tay hoặc ngang chân khi cắt. Cố định phôi vào một nền tảng ổn định. Điều quan trọng là phải thực hiện công việc đúng cách để giảm thiểu sự tiếp xúc với cơ thể, lưỡi cửa bị kẹt hoặc mất kiểm soát.
- e) Cầm dụng cụ điện ở các bề mặt nắm cách điện khi thực hiện thao tác mà dụng cụ cắt có thể tiếp xúc với hệ thống dây điện ẩn. Việc tiếp xúc với dây "có điện" cũng sẽ làm cho các bộ phận kim loại hở ra của dụng cụ điện "có điện" và có thể khiến người vận hành bị điện giật.
- f) Khi cửa, luôn sử dụng ray dẫn hướng xé hoặc thanh dẫn hướng cạnh thẳng. Điều này cải thiện độ chính xác của vết cắt và giảm khả năng lưỡi cửa bị kẹt.
- g) Luôn sử dụng lưỡi cửa có kích thước chính xác và có hình dáng của các lỗ trục (lỗ hình thoi so với hình tròn). Lưỡi cửa không khớp với trục lắp của cửa sẽ lệch tâm, gây mất kiểm soát.
- h) Không bao giờ sử dụng lưỡi cửa bị hỏng hoặc vòng đệm hoặc bu lông không phù hợp. Vòng đệm lưỡi và bu lông được thiết kế đặc biệt cho máy cửa của bạn, mang lại hiệu suất tối ưu và an toàn khi vận hành.

## HƯỚNG DẪN AN TOÀN KHÁC CHO TẤT CẢ LOẠI CỬA NGUYÊN NHÂN LỰC GIẬT NGƯỢC VÀ CẢNH BÁO LIÊN QUAN

- Lực giật ngược là phản ứng đột ngột khi lưỡi cửa bị kẹt, kẹt hoặc lệch, khiến cửa không điều khiển được nâng lên và ra khỏi vật gia công về phía người vận hành;
  - Khi lưỡi cửa bị kẹt hoặc kẹt chặt do rãnh cắt đóng lại, lưỡi cửa dừng lại và phản ứng của động cơ đẩy thiết bị nhanh chóng lùi về phía người vận hành;
  - Nếu lưỡi cửa bị xoắn hoặc lệch khi cắt, các răng ở mép sau của lưỡi có thể cắm vào bề mặt trên của gỗ khiến lưỡi cửa trượt ra khỏi rãnh và bật ngược về phía người vận hành. Lực giật ngược là kết quả của việc sử dụng sai cách của và/hoặc các quy trình hoặc điều kiện vận hành không đúng và có thể tránh được bằng cách thực hiện các biện pháp phòng ngừa thích hợp như được đưa ra dưới đây.
- a) Giữ chắc máy cửa và đặt cánh tay của bạn để chống lại lực giật ngược. Đặt cơ thể của bạn ở hai bên của lưỡi cửa nhưng không thẳng hàng với lưỡi cửa. Lực giật ngược có thể khiến cửa bật ngược lại, nhưng người vận hành có thể kiểm soát được lực giật ngược nếu thực hiện các biện pháp phòng ngừa thích hợp.
- b) Khi lưỡi cửa bị kẹt hoặc khi tạm dừng vết cắt vì bất kỳ lý do gì, hãy nhả cò súng và giữ cửa bất động trong vật liệu cho đến khi lưỡi cửa dừng hẳn. Không bao giờ cố gắng tháo cửa ra khỏi vật liệu hoặc kéo cửa về phía sau trong khi lưỡi cửa đang chuyển động, nếu không có thể xảy ra hiện tượng giật ngược. Điều tra và thực hiện các hành động khắc phục để loại bỏ nguyên nhân gây kẹt lưỡi.
- c) Khi khởi động lại máy cửa trong phôi, hãy căn giữa lưỡi cửa vào rãnh cắt sao cho rãnh cửa không dính vào vật liệu. Nếu lưỡi cửa bị kẹt, nó có thể di chuyển lên hoặc bật ngược ra khỏi phôi khi cửa được khởi động lại.
- d) Hồ trợ các giá đỡ vật liệu để giảm thiểu nguy cơ lưỡi cửa bị kẹt và giật ngược. Các tấm vật liệu lớn có xu hướng bị chùng xuống dưới trọng lượng của chính chúng.

Các giá đỡ phải được đặt dưới tấm ở cả hai phía, gần đường cắt và gần mép của tấm.

- e) **Không sử dụng lưỡi cưa bị cùn hoặc bị hư hỏng.** Lưỡi cưa không được mài sắc hoặc đặt không đúng cách sẽ tạo ra vết cắt hẹp gây ra ma sát quá mức, lưỡi cưa bị kẹt và lực giật ngược.
- f) **Cần khóa điều chỉnh độ sâu lưỡi cưa và góc xiên phải được siết chặt và cố định trước khi thực hiện cắt.** Nếu việc điều chỉnh lưỡi cưa thay đổi trong khi cắt, nó có thể gây ra hiện tượng kẹt và giật ngược.
- g) **Hãy hết sức thận trọng khi cưa vào các bức tường hiện có hoặc các khu vực mù khác.** Lưỡi cưa nhỏ ra có thể cắt các vật thể gây giật ngược.

## NHỮNG CHỈ DẪN AN TOÀN CHO CỬA (BẢO VỆ LƯỠI CỬA BÊ TRONG) CHỨC NĂNG TẮM CHẮN PHÍA DƯỚI

- a) Kiểm tra tấm chắn phía dưới xem có đóng đúng cách hay không trước mỗi lần sử dụng. Không vận hành máy cưa nếu tấm chắn dưới không di chuyển tự do và đóng lại ngay lập tức. Không bao giờ kẹp hoặc buộc tấm chắn dưới vào vị trí mở. Nếu vô tình làm rơi cửa, tấm chắn phía dưới có thể bị cong. Nâng tấm chắn dưới bằng tay cầm rút lại và đảm bảo nó di chuyển tự do và không chạm vào lưỡi cưa hoặc bất kỳ bộ phận nào khác, ở mọi góc và độ sâu cắt.
- b) Kiểm tra hoạt động của lò xo bảo vệ phía dưới. Nếu tấm chắn và lò xo không hoạt động bình thường thì chúng phải được bảo dưỡng trước khi sử dụng. Tấm chắn phía dưới có thể hoạt động chậm chạp do các bộ phận bị hư hỏng, cần bấm dính hoặc tích tụ các mảnh vụn.
- c) Tấm chắn phía dưới chỉ có thể được rút bằng tay đối với các vết cắt đặc biệt như “vết cắt chìm” và “vết cắt ghép”. Nâng tấm chắn dưới bằng cách rút tay cầm và ngay khi lưỡi cưa đi vào vật liệu, tấm chắn dưới phải được nhả ra. Đối với tất cả các loại cửa khác, tấm chắn dưới sẽ hoạt động tự động.

- d) **Luôn quan sát xem tấm chắn dưới có che lưỡi cưa hay không trước khi đặt cửa xuống bằng ghế hoặc sàn nhà.** Một lưỡi cưa không được bảo vệ, bị nghiêng sẽ khiến cửa lùi về phía sau, cắt bất cứ thứ gì trên đường đi của nó. Lưu ý thời gian cần thiết để lưỡi cưa dừng lại sau khi nhả công tắc.

## AN TOÀN BỔ SUNG QUY TẮC CHO MÁY CỬA ĐĨA CỦA BẠN

- Chỉ sử dụng lưỡi cưa do nhà sản xuất khuyến nghị, phù hợp với EN 847-1, nếu dùng cho gỗ và các vật liệu tương tự.
- Không sử dụng bất kỳ bánh xe mài mòn nào.
- Chỉ sử dụng (các) đường kính lưỡi cưa theo các dấu hiệu chỉ dẫn.
- Xác định đúng lưỡi cưa sẽ được sử dụng cho vật liệu cần cắt.
- Chỉ sử dụng lưỡi cưa được đánh dấu với tốc độ bằng hoặc cao hơn tốc độ được đánh dấu trên dụng cụ.

## BIỂU TƯỢNG



Để giảm nguy cơ chấn thương, người dùng phải đọc hướng dẫn sử dụng



Cảnh báo



Đeo bảo vệ tai



Mang kính bảo vệ mắt



Đeo mặt nạ chống bụi



Các sản phẩm điện thải không được thải bỏ cùng với rác thải sinh hoạt. Hãy tái chế ở nơi có cơ sở vật chất. Hãy kiểm tra với chính quyền địa phương hoặc nhà bán lẻ để được tư vấn về tái chế.

## MÁY CỬA ĐĨA DÙNG PIN

### DANH SÁCH THÀNH PHẦN

1. BỘ PIN*
2. NÚT THÁO BỘ PIN*
3. TAY NẮM
4. CÔNG TẮC BẬT/TẮT
5. NÚT KHÓA AN TOÀN
6. TAY CẦM PHÍA TRƯỚC
7. TẮM ĐỂ
8. THANH DẪN SONG SONG
9. LƯỚI CỬA
10. MIẾNG BẢO VỆ LƯỚI CỬA PHÍA DƯỚI
11. BU LÔNG KHÓA LƯỚI CỬA
12. ĐỒN BẦY NHẢ MIẾNG BẢO VỆ PHÍA DƯỚI
13. ĐẦU NỔI MÁY HÚT BỤI
14. NÚT KHÓA TRỤC CHÍNH (XEM HÌNH A1)
15. MẶT BÍCH BÊN TRONG (XEM HÌNH A3)
16. MẶT BÍCH NGOÀI (XEM HÌNH A3)
17. THƯỚC ĐO ĐỘ SÂU CẮT (XEM HÌNH B)
18. THIẾT BỊ CẢN GÓC TẮM ĐỂ (XEM HÌNH C1)
19. NÚM KHÓA THANH DẪN SONG SONG (XEM HÌNH G)
20. CHÌA LỤC GIÁC (XEM HÌNH I)
21. ĐÈN LED (XEM HÌNH J)

\* Không phải tất cả các phụ kiện được minh họa hoặc mô tả đều được bao gồm trong gói giao hàng tiêu chuẩn.

### THÔNG SỐ KỸ THUẬT

Loại CS20S-165 (20S-165-ký hiệu máy, đại diện cho máy cửa đĩa)

Điện áp	18V <sub>DC</sub> (Tối đa 20V)	
Tốc độ không tải	4.500 v / phút	
Kích thước lưới	165mm	
Bore size	20mm	
Khả năng vít	0-50°	
Công suất cắt	Độ sâu cắt ở 90°	55mm
	Độ sâu cắt ở 45°	38mm
Trọng lượng máy (không có pin)	2.44kg	

## BỘ PIN PHÙ HỢP

Mã hàng	BI20-2	BI20-4
Dung lượng pin	2.0Ah	4.0Ah
	Không bao gồm	Đề xuất (Không bao gồm)

## BỘ SẠC PHÙ HỢP

Mã hàng	C20-2	C20-4
Điện áp vào bộ sạc	100-240V~50/60Hz, 55W	100-240V~50/60Hz, 95W
Điện áp ra bộ sạc	20V $\equiv$ 2.0A	20V $\equiv$ 4.0A
Thời gian sạc (xấp xỉ)	1giờ (2.0 Ah) 2giờ (4.0 Ah)	30phút (2.0 Ah) 60phút (4.0 Ah)
Lớp bảo vệ bộ sạc	$\square$ /II	$\square$ /II
	Không bao gồm	Không bao gồm

## THÔNG TIN VỀ ĐỘ ỒN

Áp suất âm thanh có trọng số  $L_{pA}$ : 90.1 dB (A)  $K_{pA}$ = 3 dB(A)

Công suất âm thanh có trọng số  $L_{wA}$ : 98.1 dB (A)  $K_{wA}$ = 3 dB(A)

Đeo bảo vệ tai.

## THÔNG TIN VỀ ĐỘ RUNG

Tổng giá trị rung động (tổng vector ba trục) được xác định theo EN 62841:	
Cát gỗ	Giá trị rung động phát ra: $a_{h,w} = 2.778m/s^2$
	Độ bất định $K = 1.5m/s^2$

Tổng giá trị rung được công bố và giá trị phát ra tiếng ồn được công bố đã được đo theo phương pháp thử tiêu chuẩn và có thể được sử dụng để so sánh dụng cụ này với dụng cụ khác. Tổng giá trị rung động được công bố và giá trị phát ra tiếng ồn đã công bố cũng có thể được sử dụng trong đánh giá sơ bộ về mức độ phơi nhiễm.

**!** **CẢNH BÁO:** Độ rung và tiếng ồn phát ra trong quá trình sử dụng thực tế dụng cụ điện có thể khác với giá trị được công bố tùy thuộc vào cách sử dụng dụng cụ, đặc biệt là loại dụng cụ nào. phơi được xử lý tùy thuộc vào các ví dụ sau và các biến thể khác về cách sử dụng dao:

Cách sử dụng công cụ và vật liệu được cắt hoặc khoan.

Công cụ đang ở trong tình trạng tốt và được bảo trì tốt.

Việc sử dụng đúng phụ kiện cho dụng cụ và đảm bảo nó sắc bén và ở tình trạng tốt.

Độ chặt của tay cầm trên tay cầm và có sử dụng phụ kiện chống rung, chống ồn hay không.

Và công cụ này đang được sử dụng đúng mục đích nhờ thiết kế của nó và các hướng dẫn này.

**Công cụ này có thể gây ra hội chứng rung tay-cánh tay nếu việc sử dụng nó không được quản lý đầy đủ.**

**!** **CẢNH BÁO:** Để chính xác, việc ước tính mức phơi nhiễm trong điều kiện sử dụng thực tế cũng phải tính đến tất cả các phần của chu trình vận hành, chẳng hạn như thời điểm chuyển đổi công cụ. tắt và khi nó chạy không tải nhưng không thực sự thực hiện công việc. Điều này có thể làm giảm đáng kể

## MÁY CỬA ĐĨA DÙNG PIN

mức độ phơi nhiễm trong tổng thời gian làm việc.

Giúp giảm thiểu rủi ro tiếp xúc với rung động của bạn.

Bảo trì công cụ này theo các hướng dẫn này và luôn bôi trơn tốt (nếu thích hợp).

Nếu dụng cụ này được sử dụng thường xuyên thì hãy đầu tư vào các phụ kiện chống rung .

Lập kế hoạch lịch trình làm việc của bạn để dàn trải việc sử dụng công cụ có độ rung cao trong một số ngày.

## PHỤ KIỆN

Lưới cửa gỗ	1
Đầu nối máy hút bụi (32mm)	1
Ống bụi (35mm)	1
Chìa lục giác	1
Thanh dẫn song song	1

Chúng tôi khuyên bạn nên mua phụ kiện từ cùng một cửa hàng đã bán công cụ cho bạn. Tham khảo bao bì phụ kiện để biết thêm chi tiết. Nhân viên cửa hàng có thể hỗ trợ bạn và đưa ra lời khuyên.

## HƯỚNG DẪN VẬN HÀNH



**LƯU Ý:** Trước khi sử dụng công cụ, hãy đọc kỹ sách hướng dẫn.

### MỤC ĐÍCH SỬ DỤNG

Máy được thiết kế để sử dụng tại nhà và các ứng dụng tại nhà bạn. Nó đặc biệt hữu ích để cắt ván ép và vật liệu tấm tương tự. Nó **KHÔNG** thích hợp cho lưỡi hoặc đĩa cắt kim loại.

### TRƯỚC KHI ĐƯA VÀO VẬN HÀNH

#### 1. LẮP/ THAY LƯỠI CỬA

**Nguy cơ bị thương khi chạm vào lưỡi cửa. Chỉ sử dụng lưỡi cửa tương ứng với dữ liệu thông số kỹ thuật của dụng cụ này.**

**Trong mọi trường hợp, không sử dụng đĩa mài làm công cụ cắt.**

Để thay lưỡi cửa, tốt nhất nên đặt máy với nắp đầu động cơ trên bề mặt phẳng với vùng bảo vệ lưỡi và lưỡi hướng lên trên.

#### - Tháo lưỡi cửa:

Nhấn nút khóa trục chính và giữ nút này. Nới lỏng bu lông lưỡi cửa theo chiều kim đồng hồ bằng phím lực giác. Tháo mặt bích bên ngoài. Sử dụng cần gạt bảo vệ phía dưới, nghiêng tấm bảo vệ lưỡi phía dưới về phía sau và giữ chặt nó ở vị trí này. Tháo lưỡi cửa. (Xem Hình A1, A2)

#### - Lắp lưỡi cửa ( Xem Hình A3):

Sử dụng cần gạt bảo vệ phía dưới, nghiêng tấm bảo vệ lưỡi phía dưới về phía sau và giữ chặt nó ở vị trí này. Đặt lưỡi cửa vào mặt bích bên trong. Đảm bảo hướng của răng cắt trên lưỡi cửa khớp với hướng của chỉ báo quay lưỡi cửa. Đặt mặt bích bên ngoài lên trên lưỡi cửa, sau đó lắp bu lông lưỡi cửa vào. Nhấn nút khóa trục để khóa trục, sau đó sử dụng phím lực giác để siết chặt bu lông lưỡi cửa theo hướng ngược chiều kim đồng hồ với độ chặt 1/4 vòng so với ngón tay.

**LƯU Ý: Hãy cẩn thận để đảm bảo vị trí lắp của mặt bích trong và mặt bích ngoài đều chính xác.**



**CẢNH BÁO: Răng của lưỡi cửa rất sắc.**

Để có kết quả cắt tốt nhất, hãy đảm bảo bạn sử dụng lưỡi cửa phù hợp với vật liệu và chất lượng cắt mà bạn cần.

#### 2. ĐIỀU CHỈNH ĐỘ SÂU CẮT (XEM HÌNH B)

Xoay núm khóa độ sâu cắt theo hướng ngược chiều kim đồng hồ để nới lỏng và nâng thân cửa ra khỏi tấm đế.

Đặt độ sâu cắt cần thiết bằng cách căn chỉnh biểu tượng tam giác với thang độ sâu cắt được đánh dấu ở mặt sau của tấm chắn cố định. Sau đó xoay núm khóa độ sâu cắt theo chiều kim đồng hồ để khóa thân cửa và tấm đế.

Luôn thêm 3 mm vào độ sâu cắt của bạn để lưỡi cửa có thể cắt xuyên qua vật liệu.

**LƯU Ý: Tốt nhất bạn nên tiến hành cắt thử trước khi cắt phiê.**

#### 3. ĐIỀU CHỈNH GÓC TẮM ĐẾ (XEM HÌNH C1, C2)

Xoay khóa vít tẩm đế theo hướng ngược chiều kim đồng hồ để nới lỏng thước đo góc. Nghiêng tấm đế ra khỏi máy. Đặt góc vít cần thiết bằng cách căn chỉnh biểu tượng tam giác với thang góc của tấm đế. Siết chặt khóa góc xiên bằng cách xoay theo chiều kim đồng hồ. Không sử dụng thang đo độ sâu cắt khi thực hiện các vết cắt xiên do có thể không chính xác.

#### 4. THU GOM BỤI (XEM HÌNH D)

Siết chặt đầu nối hút bụi vào tấm bảo vệ cố định bằng vít. Kết nối trực tiếp ống chân không phù hợp với bộ chuyển đổi.

**LƯU Ý: Không được lắp đầu nối hút bụi khi không kết nối máy hút bụi bên ngoài.**

**Nếu không, có nguy cơ hệ thống chiết xuất bị tắc. Làm sạch đầu nối hút bụi thường xuyên để đảm bảo hút bụi tối ưu. Máy hút bụi phải phù hợp với vật liệu được gia công.**

#### 5. THÁO HOẶC LẮP BỘ PIN (KHÔNG ĐƯỢC CUNG CẤP) (XEM HÌNH E1, E2)

Nhấn nút tháo bộ pin và tháo bộ pin ra khỏi dụng cụ. Sau khi sạc lại, trượt bộ pin vào dụng cụ cổng pin. Một cú đẩy đơn giản và áp lực nhẹ là đủ.

## MÁY CỬA ĐĨA DỪNG PIN

### VẬN HÀNH



**CẢNH BÁO!** Trước khi thực hiện bất kỳ bảo trì hoặc điều chỉnh nào, hãy đảm bảo cửa đã tắt và bộ pin được tháo ra. Đo lường tay bảo hộ khi lắp lưới cửa.

#### 1. VỊ TRÍ TAY CẦM

Luôn giữ chắc máy cửa bằng cả hai tay khi vận hành.

#### 2. CÔNG TÁC BẬT/TẮT AN TOÀN (XEM HÌNH F)

Khi nút khóa ở vị trí trung gian, công tắc sẽ bị khóa.

Nhấn nút khóa trái hoặc phải, sau đó nhấn công tắc bật/ tắt máy thì máy khởi động. Để tắt máy, nhà công tắc, nút khóa ở vị trí trung lập, máy dừng lại.

Máy cửa của bạn có phanh điện tự động được thiết kế để ngăn lưới cửa dừng lại trong khoảng ba giây sau khi bạn nhà công tắc kích hoạt.

Nó rất hữu ích khi thực hiện một số vết cắt nhất định trên gỗ mà lưới cửa nghiêng sẽ tạo ra vết cắt rộng và không chính xác.



**CẢNH BÁO:** Đợi cho đến khi máy dừng hoàn toàn trước khi đặt nó xuống.

#### 3. ĐIỀU CHỈNH THANH DẪN HƯỚNG SONG SONG (XEM HÌNH G)

Được sử dụng để thực hiện các vết cắt song song với cạnh phôi ở khoảng cách đã chọn.

Đầu tiên, vặn vít khóa thanh dẫn hướng song song ngược chiều kim đồng hồ để nới lỏng, sau đó trượt cần dẫn hướng song song qua khe để đạt được khoảng cách cắt mong muốn, sau đó xoay vít khóa theo chiều kim đồng hồ để kẹp chặt thanh dẫn hướng song song.

**LƯU Ý:** Tốt nhất nên tiến hành cắt thử.

#### 4. HƯỚNG DẪN CẮT (XEM HÌNH H1, H2)

Có một rãnh cắt ở mặt trước của tấm đế để sử dụng với thanh dẫn hướng song song. Đối với các vết cắt thẳng, sử dụng đầu cắt 0° để căn chỉnh với thang dẫn hướng song song của bạn. Đối với cắt vát 45°, sử dụng đầu cắt 45° để căn chỉnh với thanh hướng dẫn song song của bạn. Kẹp chắc chắn thanh dẫn hướng song song. Luôn thực hiện cắt thử để kiểm tra cài đặt.

#### 5. CẮT VÁT

Đặt góc nghiêng cần thiết trong khoảng từ 0° đến 45°. Không sử dụng độ sâu của thang cắt khi thực hiện các vết cắt xiên do có thể không chính xác.

#### 6. LƯỚI TRỮ KHÓA LỤC GIÁC (XEM HÌNH I)

Chìa khóa lục giác được cung cấp có thể được đặt trên tấm đế bên dưới vỏ động cơ và bên cạnh núm khóa dẫn hướng song song.

#### 7. ĐÈN LED (XEM HÌNH J)

Công cụ này có đèn LED hỗ trợ sẽ phát sáng khi cửa được lắp vào bộ pin. Nó cho biết rằng công cụ của bạn đã được kích hoạt và tăng khả năng hiển thị - rất hữu ích cho các khu vực tối hoặc kín.

## GỢI Ý LÀM VIỆC CHO MÁY CỬA ĐĨA KHÔNG DÂY CỦA BẠN

Nếu dụng cụ điện của bạn trở nên quá nóng, hãy chạy máy cửa đĩa không tải trong 2-3 phút để làm mát động cơ. Tránh sử dụng kéo dài ở tốc độ rất thấp.

Luôn sử dụng lưới cửa phù hợp với vật liệu và độ dày vật liệu cần cắt. Chất lượng cắt sẽ được cải thiện khi số lượng răng của lưới cửa tăng lên.

Luôn đảm bảo phôi được giữ hoặc kẹp chắc chắn để tránh dịch chuyển. Đặt các tấm chặn lớn gần với đường cắt. Bất kỳ chuyển động nào của vật liệu đều có thể ảnh hưởng đến chất lượng vết cắt. Lưới cửa theo hành trình đi lên và có thể đục bề mặt trên cùng hoặc các cạnh của chi tiết gia công của bạn.

Khi cắt, hãy đảm bảo bề mặt trên cùng của bạn là bề mặt không nhìn thấy được khi công việc của bạn hoàn thành. Cửa quá nhanh làm giảm đáng kể hiệu suất của máy và rút ngắn tuổi thọ của lưới cửa. Luôn úp mặt tốt của phôi xuống để đảm bảo ít bị vỡ vụn nhất.

Chỉ sử dụng lưới cửa sắc và đúng loại.



## BẢO TRÌ

Tháo pin trước khi thực hiện bất kỳ điều chỉnh, bảo dưỡng hoặc bảo trì nào. Công cụ của bạn không cần bôi trơn hoặc bảo trì bổ sung.

Không có bộ phận nào cần bạn bảo trì trong dụng

cụ điện của bạn. Không bao giờ sử dụng nước hoặc chất tẩy rửa hóa học để làm sạch dụng cụ điện của bạn. Lau sạch bằng vải khô. Luôn bảo quản dụng cụ điện của bạn ở nơi khô ráo. Giữ sạch các khe thông gió của động cơ. Giữ tất cả các điều khiển hoạt động không có bụi. Thành thạo bạn có thể thấy tia lửa điện xuyên qua các khe thông gió. Điều này là bình thường và sẽ không làm hỏng dụng cụ điện của bạn.

## BẢO VỆ MÔI TRƯỜNG

 Các sản phẩm điện thải không được thải bỏ cùng với rác thải sinh hoạt. Hãy tái chế  ở nơi có cơ sở vật chất. Hãy kiểm tra với chính quyền địa phương hoặc nhà bán lẻ để được tư vấn về tái chế.



## MÁY CỬA ĐĨA DỪNG PIN

# EC

# Tuyên bố về

# Sự phù hợp



Chúng tôi :

**HYUNDAI Corporation Holdings Europe**  
Am Kronberger Hang 2A, 65824, Schwalbach am Taunus  
Germany

Chúng tôi tuyên bố rằng sản phẩm chi tiết dưới đây :  
**Máy cửa đĩa dừng pin**

**MẪU: CS20S-165**  
**CHỨC NĂNG: Cắt các vật liệu khác nhau bằng lưỡi có răng quay**

Đáp ứng các yêu cầu của các chỉ thị của Hội đồng :  
2006/42/EC, 2011/65/EU & (EU)2015/863,  
2014/30/EU

Các tiêu chuẩn tuân thủ :  
EN 62841-1, EN IEC 62841-2-5,  
EN IEC 55014-1, EN IEC 55014-2,  
EN IEC 63000

**Người được ủy quyền biên soạn hồ sơ kỹ thuật,**  
**Tên : Hyundae Kim**  
**Địa chỉ : HYUNDAI Corporation Holdings Europe**  
**65824 Schwalbach am Taunus, Germany**

VN

Giám đốc điều hành

Jaiwon Hur

Quản lý dự án

Sungwoo Hong

Ngày : 2024.09.25

## ОРИГИНАЛНИ ИНСТРУКЦИИ БЕЗБЕДНОСТ НА ПРОИЗВОДОТ ОПШТ ЕЛЕКТЕН АЛАТ БЕЗБЕДНОСНИ ПРЕДУПРЕДУВАЊА



**ПРЕДУПРЕДУВАЊЕ!** Прочитајте ги сите безбедносни предупредувања, упатства, илустрации и спецификации дадени со оваа електрична алатка. Ако не се следат сите упатства наведени подолу, може да дојде до електричен удар, пожар и/или сериозни повреди.

**Зачувајте ги сите предупредувања и упатства за идна референца.**

Терминот „електричен алат“ во редупредувањата се однесува на вашиот електричен алат кој работи од мрежа (со кабел) или електричен алат кој работи на батерии (без жици).

### 1. БЕЗБЕДНОСТ НА РАБОТНИОТ ПРОСТОР

- а) Одржувајте ја работната површина чиста и добро осветлена. Преполните или темните области предизвикуваат несреќи.
- б) Не ракувајте со електричните алати во експлозивни атмосфери, како на пример во присуство на запаливи течности, гасови или прашина. Електричните алатки создаваат искри што може да ја запалат прашина или испарувањата.
- в) Држете ги децата и случајните минувачи подалеку додека ракувате со електрична алатка. Оддалекувањето на вниманието може да предизвика да изгубите контрола.

### 2. ЕЛЕКТРИЧНА БЕЗБЕДНОСТ

- а) Приклучоците за електричниот алат мора да одговараат на штекерот. Никогаш не го менувајте приклучокот на кој било начин. Не користете никакви приклучоци за адаптер со заземјени (заземјени) електрични алати. Непроменетите приклучоци и соодветните приклучоци ќе го намалат ризикот од електричен удар.
- б) Избегнувајте контакт на телото со

заземјени или заземјени површини, како што се цевки, радијатори, полигопи и фрижидери. Постои зголемен ризик од електричен удар ако вашето тело е заземјено или заземјено.

- в) Не изложувајте ги електричните алати на дожд или влажни услови. Водата што влегува во електричниот алат ќе го зголеми ризикот од електричен удар.
- г) Не го злоупотребувајте кабелот. Никогаш не користете го кабелот за носење, влечење или исклучување на електричниот алат. Чувајте го кабелот подалеку од топлина, масло, остри рабови или подвижни делови. Оштетените или заплетканите кабли го зголемуваат ризикот од електричен удар.
- д) Кога ракувате со електрична алатка на отворено, користете продолжен кабел погоден за надворешна употреба. Употребата на кабел погоден за надворешна употреба го намалува ризикот од електричен удар.
- е) Ако ракувањето со електрична алатка на влажна локација е неизбежно, користете уред за заштита од преостаната струја (RCD). Употребата на RCD го намалува ризикот од електричен удар.

### 3. ЛИЧНА БЕЗБЕДНОСТ

- а) Бидете внимателни, внимавајте што правите и користете здрав разум кога ракувате со електрична алатка. Не користете електрична алатка додека сте уморни или под дејство на дрога, алкохол или лекови. Моментот на невнимание додека ракувате со електричните алати може да резултира со сериозна лична повреда.
- б) Користете лична заштитна опрема. Секогаш носете заштита за очи. Заштитната опрема како маска за прав, заштитни чевли што не се лизгаат, тврда капа или заштита за слух што се користат за соодветни услови ќе ги намали личните повреди.
- в) Спречете ненамерно палење. Уверете се дека прекинувачот е во исклучена положба пред да се поврзете со изворот на енергија и/или со батерискиот пакет,

## БЕЗЖИЧНА КРУЖНА ПИЛА

да ја земете или да ја носите алатката.

*Носењето електрични алати со прстот на прекинувачот или напојувањето на електричните алати на кои е вклучен прекинувачот предизвикува несреќи.*

- г) **Отстранете го клучот за прилагодување или клучот пред да го вклучите електричниот алат.***Клучот или клучот што е оставен закачен на ротирачкиот дел од електричниот алат може да резултира со лична повреда.*
- д) **Не претерувајте. Одржувајте правилна основа и рамнотежа во секое време.***Ова овозможува подобра контрола на електричниот алат во неочекувани ситуации.*
- ѓ) **Облечете се правилно. Не носете широка облека или накит. Чувајте ја вашата коса, облека и ракавици подалеку од подвижни делови.***Лабава облека, накит или долга коса може да се фатат во подвижни делови.*
- е) **Доколку се обезбедени уреди за поврзување на капацитети за вадење и собирање прашина, проверете дали тие се поврзани и правилно користени.***Употребата на собирање прашина може да ги намали опасностите поврзани со прашина.*
- ж) **Не дозволувајте блискоста добиена од честата употреба на алатките да ви овозможи да станете самозадоволни и да ги игнорирате принципите за безбедност на алатот.***Невнимателно дејство може да предизвика сериозна повреда во дел од секундата.*

### 4. УПОТРЕБА И НЕГА НА ЕЛЕКТЕН АЛАТ

- а) **Не присилувајте го електричниот алат.***Користете ја правилната електрична алатка за вашата апликација. Правилниот електричен алат ќе ја заврши работата подобро и побезбедно со брзината за која е дизајнирана.*
- б) **Не користете го електричниот алат ако прекинувачот не го вклучува и исклучува.***Секој електричен алат што не може да се контролира со прекинувачот е опасен и мора да се поправи.*
- в) **Исклучете го приклучокот од изворот**

на струја и/или батерискиот пакет од електричниот алат пред да извршите какви било прилагодувања, да менувате додатоци или да ги чувате електричните алати.*Ваквите превентивни безбедносни мерки го намалуваат ризикот од случајно палење на електричниот алат.*


- г) **Чувајте ги електричните алати во мирување подалеку од дофат на деца и не дозволувајте лица кои не се запознаени со електричниот алат или со овие упатства да ракуваат со електричниот алат.***Електричните алатки се опасни во рацете на необучени корисници.*
  - д) **Одржувајте ги електричните алати.***Проверете дали има неусогласеност или врзување на подвижните делови, кршење на делови и каква било друга состојба што може да влијае на работата на електричниот алат. Доколку е оштетен, поправете го електричниот алат пред употреба. Многу несреќи се предизвикани од лошо одржувани електрични алати.*
  - ѓ) **Чувајте ги алатките за сечење остри и чисти.***Правилно одржуваните алати за сечење со остри рабови за сечење имаат помала веројатност да се врзат и полесно се контролираат.*
  - е) **Користете го електричниот алат, додатоците и деловите за алат итн. во согласност со овие упатства, земајќи ги предвид работните услови и работата што треба да се изврши.***Употребата на електричниот алат за операции различни од планираните може да доведе до опасна ситуација.*
  - ж) **Чувајте ги рачките и површините за фаќање суви, чисти и без масло и маснотии.***Лизаавите рачки и површините за фаќање не дозволуваат безбедно ракување и контрола на алатот во неочекувани ситуации.*
- ### 5. КОРИСТЕЊЕ И НЕГА НА АЛАТ ЗА БАТЕРИЈА
- а) **Полнете само со полначот наведен од производителот.***Полнач кој е соодветен за еден тип батериски пакет може да создаде ризик од пожар кога се користи со*

друг батериски пакет.

- б) Користете електрични алати само со специјално назначени батерии. Употребата на други батерии може да создаде ризик од повреда и пожар.
- в) Кога батерискиот пакет не се користи, држете го подалеку од други метални предмети, како што се спојки за хартија, монети, клучеви, клинци, завртки или други мали метални предмети, кои можат да направат поврзување од еден терминал до друг. *Скратувањето на терминалите на батеријата може да предизвика изгореници или пожар.*
- г) Под навредливи услови, течноста може да се исфрли од батеријата; избегнувајте контакт. Ако случајно дојде до контакт, исплакнете со вода. Доколку течноста дојде во контакт со очите, дополнително побарајте лекарска помош. *Исфрлената течност од батеријата може да предизвика иритација или изгореници.*
- д) Не користете батериски пакет или алатка што е оштетена или изменета. *Оштетените или изменетите батерии може да покажат непредвидливо однесување што резултира со пожар, експлозија или ризик од повреда.*
- ѓ) Не изложувајте батериски пакет или алатка на оган или прекумерна температура. *Изложеноста на оган или температура над 130°C може да предизвика експлозија.*
- е) Следете ги сите упатства за полнење и не полнете ја батеријата или алатката надвор од температурниот опсег наведен во упатствата. *Неправилно полнење или на температури надвор од наведениот опсег може да ја оштети батеријата и да го зголеми ризикот од пожар.*
- 6. СЕРВИС**
- а) Обезбедете ја вашата електрична алатка да ја сервисира квалификувано лице за поправка користејќи само идентични резервни делови. *Ова ќе осигури дека се одржува безбедноста на електричниот алат.*
- б) Никогаш не ги сервисирајте оштетените батерии. *Сервисирањето на батериските*

*пакувања треба да го врши само производителот или овластените даватели на услуги.*

## БЕЗБЕДНОСНИ УПАТСТВА ЗА СИТЕ ПИЛИ ПОСТАПКИ НА СЕЧЕЊЕ

- а)  **ОПАСНОСТ:** Држете ги рацете подалеку од местото за сечење и сечилото. Држете ја втората рака на помошната рачка или куќиштето на моторот. *Ако се држат двете раце пилата, тие не можат да се исечат со сечилото.*
- б) Не посегнувајте под работното парче. *Заштитникот не може да ве заштити од сечилото под работното парче.*
- в) Прилагодете ја длабочината на сечењето на дебелината на работното парче. *Помалку од полн заб на забите на сечилото треба да бидат видливи под работното парче.*
- г) Никогаш не држете го работното парче во рацете или преку ногата додека сечете. Прицврстете го работното парче на стабилна платформа. *Важно е правилно да се поддржи работата за да се минимизира изложеноста на телото, врзувањето на сечилото или губењето на контролата.*
- д) Држете го електричниот алат за изолирани површини за држење, кога вршите операција каде што алатот за сечење може да дојде во контакт со скриените жици. *Контактот со „жива“ жица, исто така, ќе ги направи откриените метални делови на електричниот алат „во живо“ и може да предизвика електричен удар на операторот.*
- ѓ) Кога рипате, секогаш користете ограда за откинување или водилка со прав раб. *Ова ја подобрува точноста на сечењето и ја намалува можноста за врзување на сечилото.*
- е) Секогаш користете сечила со правилна големина и форма (дијамант наспроти тркалезни) дупки од арбор. *Сечилата*

## БЕЗЖИЧНА КРУЖНА ПИЛА

*што не се совпаѓаат со хардверот за монтирање на пилата ќе истечат надвор од центарот, предизвикувајќи губење на контролата.*

- ж) **Никогаш не користете оштетени или неправилни подлошки или завртки за сечилата.** *Подлошките и завртките на сечилата беа специјално дизајнирани за вашата пила, за оптимални перформанси и безбедност при работењето.*

## ПОНАТАМОШНА БЕЗБЕДНОСТ ИНСТРУКЦИИ ЗА СИТЕ ПИЛИ ПОВРЗАНИ ПРЕДУПРЕДУВАЊА

- Повратен удар е ненадејна реакција на приклетшена, заглавена или погрешно поставена сечилото на пилата, што предизвикува неконтролирана пила да се подига и да излезе од работното парче кон операторот;
  - Кога сечилото е притиснато или цврсто заглавено со затворање на гребенот, сечилото заглавува и реакцијата на моторот брзо го придвижува уредот назад кон операторот;
  - Ако сечилото се извитка или погрешно се усогласи при сечењето, забите на задниот раб на сечилото може да се вкопаат во горната површина на дрвото, предизвикувајќи сечилото да се искачи од гребенот и да скокне назад кон операторот. Повратниот удар е резултат на злоупотреба на пилата и/или неточни работни процедури или услови и може да се избегне со преземање соодветни мерки на претпазливост како што е дадено подолу.
- а) **Држете цврсто држење на пилата и поставете ги рацете за да се спротивстават на силите за повратен удар.** *Поставете го телото на двете страни на сечилото, но не во линија со сечилото. Повратниот удар може да предизвика пилата да скокне наназад, но силите за повратен удар може да ги контролира операторот, доколку*

*се преземат соодветни мерки на претпазливост.*

- б) **Кога сечилото се врзува или кога го прекинувате сечењето од која било причина, отпуштете го чкрапалото и држете ја пилата неподвижна во материјалот додека сечилото целосно не запре.** *Никогаш не обидувајте се да ја извадите пилата од работа или да ја повлечете пилата наназад додека сечилото е во движење или може да се појави повратен удар. Истражете и преземете корективни мерки за да ја елиминирате причината за врзување на сечилото.*
- в) **При рестартирање на пилата во работното парче, центрирајте го сечилото на пилата во подлогата така што забите на пилата не се заглавени во материјалот.** *Ако се заврзе сечилото на пилата, може да оди нагоре или да се поврати од работното парче додека пилата се рестартира.*
- г) **Поддржете големи панели за да го минимизирате ризикот од стискање на ножот и повратен удар.** *Големите панели имаат тенденција да попуштаат под сопствената тежина. Поддржуващите мора да бидат поставени под панелот од двете страни, во близина на линијата на сечењето и во близина на работ на панелот.*
- д) **Не користете досадни или оштетени сечила.** *Ненаострените или неправилно поставените сечила создаваат тесни рабови што предизвикуваат прекумерно триење, врзување на сечилото и повратен удар.*
- ѓ) **Рачките за заклучување на длабочината на сечилото и откосите мора да бидат цврсти и сигурни пред да се направи сечењето.** *Ако дотерувањето на сечилото се помести додека сечете, тоа може да предизвика врзување и повратен удар.*
- е) **Бидете внимателни кога сечете во постоечки ѕидови или други слепи области.** *Испакнатиот нож може да исече предмети што може да предизвикаат повратен удар.*

## БЕЗБЕДНОСНИ УПАТСТВА ЗА ПИЛИ (КРУЖНА ПИЛА СО ВНАТРЕШЕН ШТИТНИК ЗА НИШАЛОТО) ФУНКЦИЈА НА ДОЛНА ЗАШТИТА

- а) Проверете го долниот штитник за правилно затворање пред секоја употреба. Не акувајте со пилата ако долниот штитник не се движи слободно и веднаш се затвора. Никогаш не стегајте го или врзувајте го долниот штитник во отворена положба. Ако пилата случајно падне, долниот штитник може да се свитка. Подигнете го долниот штитник со рачката за повлекување и проверете дали се движи слободно и не го допира сечилото или кој било друг дел, во сите агли и длабочини на сечење.
- б) Проверете ја работата на долната заштитна пружина. Ако штитникот и пружината не работат правилно, тие мора да се сервисираат пред употреба. Долниот штитник може да работи бавно поради оштетени делови, гумени наслаги или таложење на остатоци.
- в) Долниот штитник може да се повлече рачно само за специјални исечоци како што се „продлабочени исечоци“ и „сложени парчиња. Подигнете го долниот штитник со повлекување на рачката и веднаш штом сечилото влегува во материјалот, долниот штитник мора да се ослободи. За сите други пилања, долниот штитник треба да работи автоматски.
- г) Секогаш внимавајте дека долниот штитник го покрива сечилото пред да ја ставите пилата на клупата или подот. Незаштитеното сечило за подлога ќе предизвика пилата да оди нанзад, пресекувајќи се што ќе и се најде на патот. Внимавајте на времето потребно за да застане сечилото откако ќе се ослободи прекинувачот.

## ДОПОЛНИТЕЛНА БЕЗБЕДНОСТ КРУЖНА ПИЛА

1. Користете само ножеви за пила препорачани од производителот, кои одговараат на EN 847-1, доколку се наменети за дрво и аналогни материјали.
2. Не користете никакви абразивни тркала.
3. Користете само дијаметар(и) на сечилото во согласност со ознаките.
4. Идентификувајте го правилното сечило на пилата што треба да се користи за материјалот што треба да се сече.
5. Користете само ножеви за пила што се означени со брзина еднаква или поголема од брзината означена на алатката.

## СИМБОЛИ



За да се намали ризикот од повреда, корисникот мора да го прочита упатството за употреба



Предупредување



Носете заштита за уши



Носете заштита за очи



Носете маска за прашина



Отпадните електрични производи не смеат да се фрлаат со домашен отпад. Ве молиме рециклирајте таму каде што има капацитети. Проверете кај вашите локални власти или продавач за совет за рециклирање.

## БЕЗЖИЧНА КРУЖНА ПИЛА

### ЛИСТА НА КОМПОНЕНТИ

1. БАТЕРИЈА*
2. КОПЧЕ ЗА ОСЛОБОДУВАЊЕ НА БАТЕРИЈАТА*
3. РАЧКА
4. ВКЛУЧУВАЊЕ/ИСКЛУЧУВАЊЕ
5. КОПЧЕ ЗА ЗАКЛУЧУВАЊЕ
6. ПРЕДНА РАЧКА
7. ОСНОВНА ПЛОЧА
8. ПАРАЛЕЛЕН ВОДИЧ
9. ЛЕКОТ ЗА ПИЛА
10. ШТИТНИЦА НА ДОЛНИОТ ОЧИВО
11. БОЛТ НА БЛАД
12. ДОЛЕНА РАЧКА ЗА ОСЛОБОДУВАЊЕ НА ЗАТРТУВАЧКАТА
13. ВАКУУМ АДАПТЕР
14. КОПЧЕ ЗА ЗАКЛУЧУВАЊЕ НА ВРЕТЕНОТО (ВИДИ СЛИКА А1)
15. ВНАТРЕШЕН ФЛАНГ (ВИДИ СЛИКА А3)
16. НАДВОРЕШНА ПРИРАНИЧКА (ВИДИ СЛИКА А3)
17. РАЧКА ЗА ЗАКЛУЧУВАЊЕ НА ДЛАБОБИНАТА НА СЕЧЕЊЕ (ВИДИ СЛИКА Б)
18. РАЧКА ЗА ЗАКЛУЧУВАЊЕ НА ОСНОВНАТА ПЛОЧА (ВИДИ СЛИКА С1)
19. ЗАВРТКА ЗА ЗАКЛУЧУВАЊЕ ПАРАЛЕЛЕН ВОДИЧ (ВИДИ СЛИКА G)
20. НЕХ КЛУЧ (ВИДИ СЛИКА I)
21. ЛЕД СВЕТЛО (ВИДИ СЛИКА J)

\* Не сите илустрирани или опишани додатоци се вклучени во стандардната испорака.

### ТЕХНИЧКИ ПОДАТОЦИ

Тип CS20S-165 (20S-165-ознака на машини, претставник на кружна пила)

Напон	18V $\equiv$ (макс. 20V)	
Нема брзина на оптоварување	4500/мин	
Големина на сечилото	165 мм	
Големина на дупката	20 мм	
Капацитет на коси	0-50°	
Капацитет за сечење	Длабочина на сечење на 90°	55 мм
	Длабочина на сечење на 45°	37 мм
Тежина на машината (без батерија)	2.44 кг	

## ПОГОДНИ БАТЕРИИ

Точка број	BI20-2	BI20-4
Капацитет на батеријата	2.0 Ah	4.0 Ah
	Не се вклучени	Препорачано (Не е вклучено)

## ПОГОДНИ ПОЛНАЧИ

Точка број	C20-2	C20-4
Влез на полнач	100-240V~50/60Hz, 55W	100-240V~50/60Hz, 95W
Излез на полнач	20V $\equiv$ 2.0A	20V $\equiv$ 4.0A
Време на полнење (прибл.)	1 час (2,0 Ah) 2 часа (4,0 Ah)	30 минути (2,0 Ah) 60 минути (4,0 Ah)
Класа за заштита на полнач	$\square$ / II	$\square$ / II
	Не се вклучени	Не се вклучени

## ИНФОРМАЦИИ ЗА БУЧАВА

Пондериран звучен притисок  $L_{pA}$ : 90.1 dB (A)  $K_{pA}$  = 3 dB(A)

Пондерирана звучна моќност  $L_{wA}$ : 98.1 dB (A)  $K_{wA}$  = 3 dB(A)

Носете заштита за уши.

## ИНФОРМАЦИИ ЗА ВИБРАЦИИ

Вкупни вредности на вибрации (триакс векторски збир) утврдени според EN 62841:	
Сечење дрво	Вредност на емисија на вибрации: $a_{pж}$ = 2.778 Гософица <sup>2</sup>
	Несигурност $K$ = 1.5m/s <sup>2</sup>

Декларираната вкупна вредност на вибрациите и декларираната вредност на емисија на бучава се измерени во согласност со стандарден метод на тестирање и може да се користат за споредување на една алатка со друга. Декларираната вкупна вредност на вибрациите и декларираната вредност на емисија на бучава може да се користат и при прелиминарна проценка на изложеноста.



**ПРЕДУПРЕДУВАЊЕ:** Емисиите на вибрации и бучава за време на вистинската употреба на електричниот алат може да серазликуваат од декларираната вредност во зависност од начините на кои се користи алатот, особено каков вид на обработено парче се обработува во зависност од следните примери и други варијации за тоа како се користи алатот:

Како се користи алатот и материјалите што се сечат или дупчат.

Алатката е во добра состојба и добро одржувана.

Употреба на правилен додаток за алатот и обезбедување дека е остра и во добра состојба.

Затегнатоста на рачката на рачките и доколку се користат додатоци против вибрации и бучава. И алатката се користи како што е предвидено со неговиот дизајн и овие упатства.

Оваа алатка може да предизвика синдром на вибрации на рака-рака доколку не се управува соодветно со нејзината употреба.



## БЕЗЖИЧНА КРУЖНА ПИЛА

**!** **ПРЕДУПРЕДУВАЊЕ:** Да бидеме точни, проценка на нивото на изложеност во реалните услови на употреба треба да ги земе предвид и сите делови од работниот циклус, како што се времињата кога алатката е исклучена и кога работи во мирување, но всушност не ја врши работата. Ова може значително да го намали нивото на изложеност во текот на вкупниот работен период.

Помага да се минимизира ризикот од вибрации и изложеност на бучава.

Секогаш користете остри длета, дупчалки и сечила.

Одржувајте ја оваа алатка во согласност со овие упатства и чувајте ја добро подмачкана (каде што е соодветно).

Ако алатот треба да се користи редовно, тогаш инвестирајте во додатоци против вибрации и бучава. Планирајте го вашиот работен распоред за да ја проширите употребата на алат со високи вибрации низ неколку денови.

## ДОДАТОЦИ

Дрвено сечило	1
Вакуум адаптер (32мм)	1
Цевка за прашина (35мм)	1
Хексадецимален клуч	1
Паралелен водич	1

Ви препорачуваме да ги купите вашите додатоци од истата продавница што ви ја продаде алатката. Погледнете го пакувањето на додатоците за повеќе детали. Персоналот на продавницата може да ви помогне и да понуди совет.

## РАБОТА



**ЗАБЕЛЕШКА:** Пред да ја користите алатката, внимателно прочитајте ја книгата со упатства.

### НАМЕНСКА УПОТРЕБА

Машината е наменета за употреба низ домот и домашните апликации. Посебно е корисен за отсекување на иверица и сличен лим материјал. НЕ е погоден за сечила или дискови за сечење метал.

### ПРЕД СТАВАЊЕ ВО РАБОТА

#### 1. ПОСТАВУВАЊЕ/ ПРОМЕНА НА ЛЕКОТ НА ПИЛА

**Опасност од повреда при допирање на сечилото на пилата.**

Користете само ножеви за пила што одговараат на податоците за техничките спецификации за оваа алатка.

**Во никој случај не користете дискови за мелење како алатка за сечење.**

За менување на листот на пилата, најдобро е да ја ставите машината со капачето на моторот на рамна површина со делот за заштита на сечилото и сечилото свртени нагоре.

#### - Отстранување на сечилото на пилата:

Притиснете го копчето за заклучување на вретеното и држете го притиснато. Олабавете ја завртката на сечилото во насока на стрелките на часовникот со шестоаголниот клуч. Отстранете ја надворешната прирабница. Користејќи ја долната заштитна рачка, навалете го назад долниот штитник на сечилото и цврсто држете го во оваа положба. Отстранете го сечилото на пилата. (Види Сл. А1, А2)

#### - Монтирање на сечилото на пилата (види слика А3) :

Користејќи ја долната заштитна рачка, навалете го назад долниот штитник на сечилото и цврсто држете го во оваа положба. Ставете го листот на пилата на внатрешната прирабница. Обезбедување дека насоката на забите за сечење на сечилото на пилата се совпаѓа со насоката на индикаторот за вртење на сечилото.

Поставете ја надворешната прирабница над сечилото, а потоа вметнете ја завртката на сечилото. Притиснете го копчето за заклучување на вретеното за да го заклучите вретеното, а потоа користете го хексадецискиот клуч за да ја затегнете завртката на сечилото во спротивна насока од стрелките на часовникот со 1/4 вртење повеќе од затегнатоста со прстите.

**ЗАБЕЛЕШКА:** Внимавајте позициите за монтирање на внатрешната и надворешната прирабница да бидат точни.



**ПРЕДУПРЕДУВАЊЕ:** Забите на сечилото се многу остри. За најдобри резултати во сечењето, погрижете се да користите сечило за пила што одговара на материјалот и квалитетот на сечењето што ви треба.

### 2. ДЛАБОЧИНА НА ПРИЛАГОДУВАЊЕТО НА ИЗЕЧЕЊЕТО (ВИДИ СЛИКА Б)

Завртете го копчето за заклучување на длабочината на сечењето во спротивна насока од стрелките на часовникот за да се олабави и подигне телото на пилата подалеку од основната плоча.

Поставете ја потребната длабочина на сечење со порамнување на симболот на триаголникот со скалата за длабочина на сечење означена на задната страна на фиксираниот штитник. Потоа свртете го копчето за заклучување за длабочина на сечење во насока на стрелките на часовникот за да ги заклучите телото на пилата и основната плоча. Секогаш додавајте 3 мм на вашата длабочина на сечење за да може сечилото да го пресече материјалот.

**ЗАБЕЛЕШКА:** Најдобро е да извршите пробно сечење пред да го исечете работното парче.

### 3. ПРИЛАГОДУВАЊЕ НА АГОЛОТ НА ОСНОВНАТА ПЛОЧА (ВИДИ СЛИКА С1, С2)

Турнете ја бравата на закосената плочка во спротивна насока од стрелките на часовникот за да ја олабавите аголната скала. Навалете ја основната плоча подалеку од машината. Поставете го бараниот агол на откос со порамнување на симболот на триаголникот со скалата на аголот на основната плоча.

## БЕЗЖИЧНА КРУЖНА ПИЛА

Затегнете ја бравата со откос вртејќи ја во насока на стрелките на часовникот. Не користете ја скалата за длабочина на сечење кога правите коси засеци поради можна неточност.

### 4. ИЗЛЕЗ ЗА ИЗВАДУВАЊЕ ПРАШИНА (ВИДИ СЛИКА Д)

Прицврстете го адаптерот за вакуум на фиксираниот штитник со завртката. Директно поврзете соодветно вакуумско црево со адаптерот.

**ЗАБЕЛЕШКА:** Вакуумскиот адаптер не смее да се монтира кога не е поврзано надворешно вадење прашина.


Во спротивно, постои опасност од затнувањето на системот за извлекување.

Редовно чистете го адаптерот за правосмукалка за да обезбедите оптимално извлекување прашина. Правосмукалната мора да биде соодветна за материјалот што треба да се обработи.

### 5. ОТСТРАНЕТЕ ИЛИ ВМЕНЕТЕ БАТЕРИЈА (НЕ СЕ ИСПОРАЧУВА) (ВИДИ СЛИКА Е1, Е2)

Притиснете го копчето за ослободување на батериите и извадете го батерискиот пакет од алатката. По полнењето, повлечете го батерискиот пакет во алатот порта за батерија. Едноставно притискање и мал притисок ќе бидат доволни.

### ОПЕРАЦИЈА

 **ПРЕДУПРЕДУВАЊЕ!** Пред да преземете какво било одржување или прилагодување, проверете дали пилата е исклучена и дека батерискиот пакет е отстранет. Носете заштитни ракавици кога го монтирате листот на пилата.

#### 1. ПОЗИЦИЈА НА РАЦЕЊЕ

Секогаш држете ја пилата цврсто со двете раце кога работите.

#### 2. БЕЗБЕДНОСЕН ПРЕКЛУЧУВАЧ ЗА ВКЛУЧУВАЊЕ/ИСКЛУЧУВАЊЕ (ВИДИ СЛИКА Ѓ)

Кога копчето за заклучување е во неутрална положба, прекинувачот е заклучен.

Притиснете го копчето за заклучување лево

или десно, потоа притиснете го прекинувачот за вклучување/исклучување, машината се вклучува. За да ја исклучите машината, отпуштете го прекинувачот, копчето за заклучување е во неутрална положба и машината запира. Вашата пила има автоматска електрична сопирачка која е дизајнирана да го запре сечилото да се превртува за околу три секунди, откако ќе го ослободите прекинувачот за активирање. Корисно е кога се прават одредени исечеоци во дрво каде што сечилото за обложување би резултирало со широк, непрецизен рез.



**ПРЕДУПРЕДУВАЊЕ:** Почекајте додека машината целосно не запре пред да се постави.

### 3. ПРИЛАГОДУВАЊЕ НА ПАРАЛЕЛЕН ВОДИЧ (ВИДИ СЛИКА Г)

Се користи за правење засеци паралелно со работ на работното парче на избраното растојание. Прво свртете ја завртката за заклучување на паралелниот водич спротивно од стрелките на часовникот за да се олабави, потоа излизгајте ја паралелната водечка рака низ празнината за да го постигнете саканото растојание за сечење, а потоа свртете ја завртката за заклучување во насока на стрелките на часовникот за цврсто да го стегнете паралелниот водил.

**ЗАБЕЛЕШКА:** Најдобро е да се изврши пробно сечење.

### 4. ВОДИЧ ЗА СЕЧЕЊЕ (ВИДИ СЛИКА Н1, Н2)

На предната страна на основната плоча има засек за ознака за сечење за употреба со паралелна водилка. За директно сечење, користете ја ознаката за сечење 0° за да се усогласите со вашата паралелна вага за водич. За закошено сечење од 45°, користете ја ознаката за сечење 45° за усогласување вашата паралелна водилка скала. Сигурно затегнете ја паралелната водилка. Секогаш правете пробно намалување за да ја проверите поставката.

### 5. КОСЕНИ КОСИ

Поставете го потребниот агол на откос помеѓу 0° и 45°. Не користете ја длабочината на скалата на сечењето кога правите коси засеци поради можна неточност.

## 6. СКЛАДИРАЊЕ НА КЛУЧОТ ВИДЕНИ (ВИДИ СЛИКА I)

Обезбедениот хексаген клуч може да се постави на основната плоча под кукиштето на моторот и покрај копчето за заклучување на паралелната водилка.

## 7. ЛЕД СВЕТЛО (ВИДИ СЛИКА J)

Оваа алатка има LED светло на напојување кое свети кога пилата е вметната во батерискиот пакет. Тоа покажува дека вашата алатка е активирана и ја зголемува видливоста - многу корисно за темни или затворени области.

## РАБОТНИ СОВЕТИ ЗА ВАШАТА КРУЖНА ПИЛА

Ако вашиот електричен алат стане премногу жежок, пуштете ја кружната пила без оптоварување 2-3 минути за да го изладите моторот. Избегнувајте продолжена употреба при многу мали брзини.

Секогаш користете сечило кое одговара на материјалот и дебелината на материјалот што треба да се сече. Квалитетот на сечењето ќе се подобри како што се зголемува бројот на забите на сечилото. Секогаш проверувајте дали работното парче е цврсто држено или прицврстено за да спречите движење.

Поддржете големи панели блиску до линијата за сечење.

Секое движење на материјалот може да влијае на квалитетот на сечењето. Сечилото го пресекува движењето нагоре и може да ја скрши најгорната површина или рабовите на вашето работно парче.

Кога сечете, проверете дали вашата најгорна површина е невидлива површина кога вашата работа е завршена.

Пребрзото напојување значително ги намалува перформансите на машината и го скратува животниот век на сечилото на пилата. Секогаш свртете ја добрата страна на работното парче надолу, за да обезбедите минимално цепење. Користете само остри ножеви за пила од правилен тип.

## ОДРЖУВАЊЕ

**Отстранете ја батеријата пред да извршите какво било прилагодување, сервисирање или одржување.**

Вашата алатка не бара дополнително подмачкување или одржување.

Во вашиот електричен алат нема делови што може да се сервисираат од страна на корисникот. Никогаш не користете вода или хемиски средства за чистење за да го чистите вашиот електричен алат. Избришете го со сува крпа. Секогаш чувајте го вашиот електричен алат на суво место. Чувајте ги отворите за вентилација на моторот чисти. Чувајте ги сите работни контроли без прашина.

Повремено може да видите искри низ отворите за вентилација. Ова е нормално и нема да го оштети вашиот електричен алат.

## ЗАШТИТА



Отпадните електрични производи не смеат да се фрлаат со домашен отпад. Ве молиме рециклирајте таму каде што има капацитети. Проверете кај вашите локални власти или продавач за совет за рециклирање.

БЕЗЖИЧНА КРУЖНА ПИЛА

# ЕС Декларација за усогласеност

CE

Ние :

**HYUNDAI Corporation Holdings Europe**  
Am Kronberger Hang 2A, 65824, Schwalbach am Taunus  
Germany

Изјави дека производот е детално опишан подолу:  
**Безжична кружна пила**

**МОДЕЛ: CS20S-165**  
**ФУНКЦИЈА : Сечење разни материјали со ротирачки заби сечило**

Ги задоволува барањата од Директивите на Советот :  
**2006/42/EC, 2011/65/EU & (EU)2015/863, 2014/30/EU**

Стандардите се во согласност со :  
**EN 62841-1, EN IEC 62841-2-5,**  
**EN IEC 55014-1, EN IEC 55014-2,**  
**EN IEC 63000**

Лицето овластено за составување на техничкото досие,  
**Име : Hyundai Kim**  
**Адреса : HYUNDAI Corporation Holdings Europe**  
**65824 Schwalbach am Taunus, Germany**

MK

Главен менаџер



Jaiwon Hur

Проектен менаџер



Sungwoo Hong

Датум : 2024.09.25

# ORJİNAL TALİMATLAR ÜRÜN GÜVENLİĞİ GENEL ELEKTRİKLİ EL ALETİ GÜVENLİK UYARILARI

**!** **UYARI!** Tüm güvenlik uyarılarını, talimatları, resimleri ve Bu elektrikli aletle birlikte verilen teknik özellikler. Aşağıda listelenen tüm talimatlara uyulmaması elektrik çarpmasına, yangına ve/veya ciddi yaralanmalara neden olabilir.

Tüm uyarıları ve talimatları ilerde başvurmak üzere saklayın.

Uyarılarda geçen "elektrikli alet" terimi, şebeke elektriğiyle çalışan (kablolu) elektrikli aletinizi veya aküyle çalışan (kablosuz) elektrikli aletinizi ifade eder.

## 1. ÇALIŞMA ALANI GÜVENLİĞİ

- Çalışma alanını temiz ve iyi aydınlatılmış tutun.** Dağınık veya karanlık alanlar kazalara davetiye çıkarır.
- Elektrikli aletleri yanıcı sıvılar, gazlar veya toz gibi patlayıcı ortamlarda çalıştırmayın.** Elektrikli aletler, tozu veya dumanı tutuşturabilecek kıvılcımlar oluşturur.
- Elektrikli bir aleti kullanırken çocukları ve çevredekileri uzak tutun.** Dikkatinizin dağılması kontrolü kaybetmenize neden olabilir.

## 2. ELEKTRİK GÜVENLİĞİ

- Elektrikli alet fişleri prize uygun olmalıdır.** Fişi hiçbir şekilde değiştirmeyin. Topraklı elektrikli aletlerde adaptör fişi kullanmayın. Değiştirilmemiş fişler ve eşleşen prizler elektrik çarpması riskini azaltacaktır.
- Borular, radyatörler, ocaklar ve buzdolapları gibi topraklanmış yüzeylerle vücut temasından kaçınınız.** Artan bir risk vardır. Vücudunuz topraklanırsa elektrik çarpması tehlikesi vardır.
- Elektrikli aletleri yağmura veya ıslak koşullara maruz bırakmayın.** Elektrikli bir alete su girmesi elektrik çarpması riskini artıracaktır.
- Kabloyu kötüye kullanmayın.** Kabloyu asla elektrikli aleti taşımak, çekmek veya fişten çıkarmak için kullanmayın. Kabloyu

ısıdan, yağdan, keskin kenarlardan veya hareketli parçalardan uzak tutun. *Hasarlı veya dolaşmış kablolar elektrik çarpması riskini artırır.*

- Elektrikli bir aleti açık havada kullanırken, açık havada kullanım için uygun bir uzatma kablosu kullanın.** Dış mekanda kullanıma uygun bir kablunun kullanılması elektrik çarpması riskini azaltır.
- Elektrikli bir aletin nemli bir yerde çalıştırılması kaçınılmazsa, artık akım cihazı (RCD) korumalı bir besleme kullanın.** RCD kullanımı elektrik çarpması riskini azaltır.

## 3. KİŞİSEL GÜVENLİK

- Dikkatli olun, ne yaptığınıza dikkat edin ve elektrikli bir aleti kullanırken sağduyulu davranın.** Yorgunken veya uyuşturucu, alkol veya ilaç etkisi altındayken elektrikli alet kullanmayın. Elektrikli aletleri kullanırken bir anlık dikkatsizlik ciddi yaralanmalara neden olabilir.
- Kişisel koruyucu ekipman kullanın.** Daima göz koruması kullanın. Uygun koşullar için kullanılan toz maskesi, kaymayan güvenlik ayakkabıları, baret veya işitme koruması gibi koruyucu ekipmanlar kişisel yaralanmaları azaltacaktır.
- İstem dışı çalıştırmayı önleyin.** Güç kaynağına ve/veya akü paketine bağlamadan, aleti kaldırmadan veya taşımadan önce şalterin kapalı konumunda olduğundan emin olun. Elektrikli aletleri parmağınız şalterin üzerindeyken taşımak veya şalteri açık olan elektrikli aletlere enerji vermek kazalara davetiye çıkarır.
- Elektrikli aleti çalıştırmadan önce herhangi bir ayar anahtarını veya anahtarı çıkarın.** Elektrikli aletin dönen bir parçasına takılı kalan bir anahtar veya anahtar yaralanmalara neden olabilir.
- Aşırı uzanmayın.** Her zaman düzgün basmaya ve dengede durmaya dikkat edin. Bu, beklenmedik durumlarda elektrikli aletin daha iyi kontrol edilmesini sağlar.
- Düzgün giyinin.** Bol giysiler giymeyin veya takı takmayın. Saçınızı, giysilerinizi ve eldivenlerinizi hareketli parçalardan uzak tutun. Bol giysiler, takılar veya uzun saçlar hareketli parçalara takılabilir.

## AKÜLÜ DAIRE TESTERE

- g) Toz emme ve toplama tesislerinin bağlanması için cihazlar sağlanmışsa, bunların bağlandığından ve uygun şekilde kullanıldığından emin olun. *Toz toplama kullanımı tozla ilgili tehlikeleri azaltabilir.*
- h) Aletlerin sık kullanımından kaynaklanan aşınalığın kayıtsız kalmanıza ve alet güvenliği ilkelerini göz ardı etmenize izin vermesine izin vermeyin. *Dikkatsiz bir hareket saniyenin çok küçük bir bölümünde ciddi yaralanmalara neden olabilir.*

### 4. ELEKTRİKLİ EL ALETİ KULLANIMI VE BAKIMI

- a) Elektrikli aleti zorlamayın. Uygulamanız için doğru elektrikli aleti kullanın. *Doğru elektrikli el aleti, tasarlandığı hızda işi daha iyi ve daha güvenli yapacaktır.*
- b) Şalter aleti açıp kapatmıyorsa aleti kullanmayınız. *Şalter ile kontrol edilemeyen elektrikli aletler tehlikelidir ve onarılmazdır.*
- c) Herhangi bir ayarlama yapmadan, aksesuarları değiştirmeden veya elektrikli aletleri depolamadan önce fişi güç kaynağından ve/veya akü paketini elektrikli aletten ayırın. *Bu tür önleyici güvenlik önlemleri elektrikli aletin yanlışlıkla çalıştırılma riskini azaltır.*
- d) Kullanılmayan elektrikli aletleri çocukların erişemeyeceği yerlerde saklayın ve elektrikli aleti veya bu talimatları bilmeyen kişilerin kullanmasına izin vermeyin elektrikli aleti çalıştırmak için. *Elektrikli aletler eğitimsiz kullanıcıların elinde tehlikelidir.*
- e) Elektrikli aletlerin bakımını yapın. Hareketli parçaların yanlış hizalanmasını veya sıkışmasını, parçaların kırılmasını ve elektrikli aletin çalışmasını etkileyebilecek diğer durumları kontrol edin. *Eğer hasarlıysa elektrikli aleti kullanmadan önce onanın. Birçok kazaya bakımı iyi yapılmamış elektrikli aletler neden olmaktadır.*
- f) Kesici aletleri keskin ve temiz tutun. *Keskin kesici kenarlara sahip, bakımı düzgün yapılmış kesici aletlerin bağlanması olasılığı daha düşüktür ve kontrol edilmeleri daha kolaydır.*
- g) Elektrikli el aletini, aksesuarları ve alet uçlarını vs. bu talimatlara uygun olarak, çalışma koşullarını ve yapılacak işi dikkate alarak kullanınız. *Elektrikli el aletinin*

*öngörülenden farklı amaçlarla kullanılması tehlikeli durumlara yol açabilir.*

- h) Tutamakları ve kavrama yüzeylerini kuru, temiz ve yağsız ve gressiz tutun. *Kaygan tutamaklar ve kavrama yüzeyleri, beklenmedik durumlarda aletin güvenli bir şekilde kullanılmasına ve kontrol edilmesine izin vermez.*

### 5. AKÜ ALETİNİN KULLANIMI VE BAKIMI

- a) Yalnızca üretici tarafından belirtilen şarj cihazıyla şarj edin. *Bir tip pil takımı için uygun olan bir şarj cihazı, başka bir pil takımı ile kullanıldığında yangın riski oluşturabilir.*
- b) Elektrikli el aletlerini sadece özel olarak belirlenmiş akü paketleri ile kullanın. *Başka akü paketlerinin kullanılması yaralanma ve yangın riski oluşturabilir.*
- c) Pil takımı kullanılmadığında, bir terminalden diğerine bağlantı yapabilecek ataç, bozuk para, anahtar, çivi, vida veya diğer küçük metal nesnelere gibi diğer metal nesnelere uzak tutun. *Pil terminallerinin birbirine kısa devre yapması yanıklara veya yangına neden olabilir.*
- d) Kötü koşullar altında aküden sıvı çıkabilir; temas kaçının. *Kazara temas olursa, suyla yıkayın. Sıvı gözlere temas ederse, ayrıca tıbbi yardım alın. Aküden çıkan sıvı tahrişe veya yanıklara neden olabilir.*
- e) Hasarlı veya modifiye edilmiş bir akü paketini veya aleti kullanmayın. *Hasarlı veya modifiye edilmiş aküler yangın, patlama veya yaralanma riski ile sonuçlanabilecek öngörülemez davranışlar sergileyebilir.*
- f) Pil takımını veya aleti ateşe veya aşırı sıcaklığa maruz bırakmayın. *Ateşe maruz kalma veya 130°C'nin üzerindeki sıcaklık patlamaya neden olabilir.*
- g) Tüm şarj talimatlarına uyun ve akü paketini veya aleti talimatlarda belirtilen sıcaklık aralığının dışında şarj etmeyin. *Uygun olmayan şekilde veya Belirtilen aralığın dışındaki sıcaklıklar aküye zarar verebilir ve yangın riskini artırabilir.*

### 6. SERVİS

- a) Elektrikli aletinizin bakımını sadece aynı yedek parçaları kullanarak kalifiye bir onarım personeline yaptırın. *Bu, elektrikli*

aletin güvenliğinin korunmasını sağlayacaktır.

- b) **Hasarlı akü paketlerine asla servis uygulamayın.** Akü paketlerinin servisi yalnızca üretici veya yetkili servis sağlayıcılar tarafından yapılmalıdır.

## TÜM TESTERELER İÇİN GÜVENLİK TALİMATLARI KESİM PROSEDÜRLERİ

- a) **⚠️ TEHLİKE: Ellerinizi kesme alanından ve bıçaktan uzak tutun. İkinci elinizi yardımcı kulpda veya motor gövdesinde tutun. Her iki el de testereyi tutuyorsa bıçak tarafından kesilemezler.**
- b) **İş parçasının altına uzanmayın.** Koruyucu, sizi iş parçasının altındaki bıçaktan koruyamaz.
- c) **Kesme derinliğini ifl parçasının kalınlığına göre ayarlayın.** Bıçak dişlerinin tam bir dişinden daha azı iş parçasının altında görünmelidir.
- d) **Kesim sırasında iş parçasını asla elinizde veya bacağınızın üzerinde tutmayın. İş parçasını sabit bir platforma sabitleyin.** Vücudun maruz kalmasını, bıçağın sıkışmasını veya kontrol kaybını en aza indirmek için işi düzgün bir şekilde desteklemek önemlidir.
- e) **Kesici aletin gizli kablolarla temas edebileceği çalışmalarda elektrikli aleti yalıtımlı tutma yüzeylerinden tutunuz.** "Akım ileten" bir kabloya temas edilmesi, elektrikli el aletinin açıkta kalan metal parçalarının da "akım iletmesine" ve kullanıcının elektrik çarpmasına neden olabilir.
- f) **Yırtma işlemi yaparken her zaman bir yırtma çiti veya düz kenar kılavuzu kullanın.** Bu, kesim doğruluğunu artırır ve bıçağın bağlanma olasılığını azaltır.
- g) **Her zaman doğru boyut ve şekildeki (elmasa karşı yuvarlak) mil deliklerine sahip bıçaklar kullanın.** Testerenin montaj donanımına uymayan bıçaklar merkezden kaçarak kontrol kaybına neden olur.
- h) **Asla hasarlı veya yanlış bıçak pulları veya civatası kullanmayın.** Bıçak rondelaları ve civatası testereniz için özel olarak tasarlanmıştır optimum performans ve çalışma güvenliği.

## TÜM TESTERELER İÇİN DİĞER GÜVENLİK TALİMATLARI GERİ TEPME NEDENLERİ VE İLGİLİ UYARILAR

- Geri tepme, sıkışmış, sıkışmış veya yanlış hizalanmış bir testere bıçağına ani bir tepkidir ve kontrolsüz bir testerenin iş parçasından yukarı ve operatöre doğru kalkmasına neden olur;
  - Bıçak, çentik kapanması nedeniyle sıkıştığında veya sıkıldığında bıçak durur ve motor reaksiyonu üniteyi hızla operatöre doğru geri iter;
  - Bıçak kesim sırasında bükülür veya yanlış hizalanırsa, bıçağın arka kenarındaki dişler Bıçak, ahşabın üst yüzeyine girerek bıçağın çentikten çıkmasına ve operatöre doğru geri sıçramasına neden olabilir.
- Geril tepme, testerenin yanlış kullanımı ve/veya yanlış çalışma prosedürleri veya koşullarının bir sonucudur ve aşağıda verilen uygun önlemler alınarak önlenbilir.
- a) **Testereyi sıkıca kavrayın ve geri tepme kuvvetlerine karşı koymak için kollarınızı konumlandırın.** Vücutunuzun bıçağın her iki yanına yerleştirin, ancak bıçakla aynı hizaya getirmeyin. Geri tepme testerenin geriye doğru sıçramasına neden olabilir, ancak uygun önlemler alınır geri tepme kuvvetleri operatör tarafından kontrol edilebilir.
- b) **Bıçak sıkıştığında veya herhangi bir nedenle kesime ara verdiğinizde tetiği bırakın ve bıçak tamamen durana kadar testereyi malzeme üzerinde hareketsiz tutun.** Bıçak hareket halindeyken asla testereyi işten çıkarmaya çalışmayın veya testereyi geriye doğru çekmeyin; aksi takdirde geri tepme meydana gelebilir. Bıçak sıkışmasının nedenini araştırın ve ortadan kaldırmak için düzeltici önlemler alın.
- c) **Bir testereyi iş parçasından yeniden çıkartırken, testere bıçağını aşağıdaki şekilde çentik içinde ortalayın** testere dişleri birbirine geçmemiştir malzemeye girdiğinde, alt koruma malzeme. Bir testere bıçağı bağlanırsa, testere yeniden başlatıldığında iş parçasından yukarı çıkabilir veya geri tepebilir.
- d) **Bıçak sıkışması ve geri tepme riskini en aza**



## AKÜLÜ DAİRE TESTERE

indirmek için büyük panelleri destekleyin.

Büyük paneller kendi ağırlıkları altında sarkma eğilimindedir. Destekler, panelin altına her iki taraftan, kesim çizgisinin yakınına ve panelin kenarına yakın yerleştirilmelidir.

- e) **Kör veya hasarlı bıçakları kullanmayın.** Bilinmemiş veya yanlış ayarlanmış bıçaklar, aşırı sürtünmeye, bıçak bağlanmasına ve geri tepmeye neden olan dar çentik oluşturur.
- f) **Bıçak derinliği ve eğim ayarı kilitleme kolları, kesim yapmadan önce sıkı ve sağlam olmalıdır.** Kesim sırasında bıçak ayarının kayması, sıkışmaya ve geri tepmeye neden olabilir.
- g) **Mevcut duvarları veya diğer kör alanları keserken ekstra dikkatli olun.** Çıkıntılı bıçak, geri tepmeye neden olabilecek nesnelere kesebilir.

## TESTERELER İÇİN GÜVENLİK TALİMATLARI (İÇ SARKAÇ KORUMALI DAİRE TESTERESİ) ALT KORUMA FONKSİYONU

- a) Her kullanımdan önce alt korumanın düzgün kapanıp kapanmadığını kontrol edin. Alt koruma serbestçe hareket etmiyor ve anında kapanmıyorsa testereyi çalıştırmayın. Alt korumayı asla açık konuma kelepçelemeyin veya bağlamayın. Testere yanlışlıkla düşürülürse alt koruma bükülebilir. Alt korumayı geri çekme kolu ile kaldırın ve tüm açılarda ve kesme derinliklerinde serbestçe hareket ettiğinden ve bıçağa veya başka bir parçaya temas etmediğinden emin olun.
- b) **Alt koruma yayının çalışmasını kontrol edin.** Koruma ve yay düzgün çalışmıyorsa, kullanmadan önce bakımları yapılmalıdır. Alt koruma, hasarlı parçalar, yapışkan tortular veya biriken kalıntılar nedeniyle yavaş çalışabilir.
- c) **Alt koruma sadece "daldırılmalı kesimler" ve malzemeye girdiğinde, alt koruma "bileşik kesimler" gibi özel kesimler için manuel olarak geri çekilebilir.** Kolu geri çekerek alt korumayı kaldırın ve bıçak serbest bırakıldı. Diğer tüm testereleme işlemleri için alt koruma

otomatik olarak çalışmalıdır.

- d) **Testereyi tezgaha veya zemine yerleştirmeden önce daima alt korumanın bıçağı kapladığını gözlemleyin.** Korunmayan, hızlanan bir bıçak, testerenin geriye doğru yürütmesine ve yoluna çıkan her şeyi kesmesine neden olur. Anahtar bırakıldıktan sonra bıçağın durması için geçen süreye dikkat edin.

## DAİRE TESTERENİZ İÇİN EK GÜVENLİK KURALLARI

1. Ahşap ve benzeri malzemeler için yalnızca üretici tarafından önerilen ve EN 847-1'e uygun testere bıçakları kullanın.
2. Herhangi bir aşındırıcı tekerlek kullanmayın.
3. Sadece işaretlere uygun bıçak çap(lar)ını kullanın.
4. Kesilecek malzeme için kullanılacak doğru testere bıçağını belirleyin.
5. Sadece alet üzerinde işaretli hız eşit veya daha yüksek bir hızla sahip testere bıçakları kullanınız.

## SEMBOLLER



Yaralanma riskini azaltmak için kullanıcı kullanım kılavuzunu okumalıdır



Uyarı



Kulak koruması takın



Göz koruması kullanın



Toz maskesi takın



Atık elektrikli ürünler evsel atıklarla birlikte atılmamalıdır. Lütfen tesislerin bulunduğu yerlerde geri dönüştürün. Kontrol edin geri dönüşüm tavsiyesi için yerel yetkililere veya perakendecinize başvurun.

## BİLEŞEN LİSTESİ

1. AKÜ PAKETİ*
2. PİL TAKIMI SERBEST BIRAKMA DÜĞMESİ*
3. KOL
4. AÇMA/KAPAMA ŞALTERİ
5. KILITLAMA DÜĞMESİ
6. ÖN KOL
7. TABAN PLAKASI
8. PARALEL KILAVUZ
9. TESTERE BIÇAĞI
10. ALT BIÇAK MUHAFAZASI
11. BIÇAK CIVATASI
12. ALT KORUMA SERBEST BIRAKMA KOLU
13. VAKUM ADAPTÖRÜ
14. MIL KİLİT DÜĞMESİ (BKZ. ŞEKİL A1)
15. İÇ FLANŞ (BKZ. ŞEKİL A3)
16. DIŞ FLANŞ (BKZ. ŞEKİL A3)
17. KESME DERİNLİĞİ KİLİT KOLU (BKZ. ŞEKİL B)
18. TABAN PLAKASI EĞİM KİLİT KOLU (BKZ. ŞEKİL C1)
19. PARALEL KILAVUZ KILITLAMA VIDASI (BKZ. ŞEKİL G)
20. ALTİGEN ANAHTAR (BKZ. ŞEKİL I)
21. LED IŞIK (BKZ. ŞEKİL J)

\* Resimde gösterilen veya açıklanan tüm aksesuarlar standart teslimata dahil değildir.

## TEKNİK BİLGİLER

Tip CS20S-165 (20S-165-makine tanımı, daire testere temsilcisi)





Gerilim	18V $\equiv$ (20V Maks.)	
Yüksüz hız	4500/dak	
Biçak boyutu	165mm	
Delik boyutu	20mm	
Eğim kapasitesi	0-50°	
Kesme kapasitesi	90°'de kesme derinliği	55mm
	45°'de kesme derinliği	38mm
Makine ağırlığı (aküsüz)	2.44kg	

## AKÜLÜ DAIRE TESTERE

### UYGUN BATARYA PAKETLERİ

Ürün numarası	BI20-2	BI20-4
Akü kapasitesi	2.0Ah	4.0Ah
	Dahil değildir	Tavsiye edilir (Dahil değildir)

### UYGUN ŞARJ CİHAZLARI

Ürün numarası	C20-2	C20-4
Şarj cihazı girişi	100-240V~50/60Hz, 55W	100-240V~50/60Hz, 95W
Şarj cihazı çıkışı	20V  2.0A	20V  4.0A
Şarj süresi (yaklaşık)	1 saat (2.0 Ah) 2 saat (4.0 Ah)	30 dakika (2.0 Ah) 60 dakika (4.0 Ah)
Şarj cihazı koruma sınıfı	 /II	 /II
	Dahil değildir	Dahil değildir

### GÜRÜLTÜ BİLGİSİ

A ağırlıklı ses basıncı  $L_{pA}$ : 90.1 dB (A)  $K_{pA}$ = 3 dB(A)

A ağırlıklı ses  $L_{wA}$ : 98.1 dB (A)  $K_{wA}$ = 3 dB(A)

**Kulak koruması kullanın.**

### TITREŞİM BİLGİLERİ

Titreşim toplam değerleri (üç eksenli vektör toplamı) EN 62841'e göre belirlenmiştir:	
Odun kesmek	Titreşim emisyon değeri: $a_{h,W} = 2.778m/s^2$
	Belirsizlik $K = 1.5m/s^2$

Beyan edilen toplam titreşim değeri ve beyan edilen gürültü emisyon değeri standart bir test yöntemine göre ölçülmüştür ve bir aleti diğeriyle karşılaştırmak için kullanılabilir. Beyan edilen titreşim toplam değeri ve beyan edilen gürültü emisyon değeri, maruziyetin ön değerlendirmesinde de kullanılabilir.



**UYARI:** Elektrikli el aletinin gerçek kullanımı sırasındaki titreşim ve gürültü emisyonları, aletin kullanım şekline ve özellikle ne tür bir elektrikli el aletinin kullanıldığına bağlı olarak beyan edilen değerden farklı olabilir. İş parçasının işlenmesi, aşağıdaki örneklere ve takımın nasıl kullanıldığına ilişkin diğer varyasyonlara bağlıdır:

Aletin nasıl kullanıldığı ve kesilen veya delinen malzemeler. Aletin iyi durumda olması ve bakımının iyi yapılması.

Alet için doğru aksesuarın kullanılması ve aksesuarın keskin ve iyi durumda olduğundan emin olunması. Tutamaklardaki kavramanın sıklığı ve titreşim ve gürültü önleyici aksesuarların kullanılıp kullanılmadığı. Aletin tasarımına ve bu talimatlara uygun olarak kullanılıp kullanılmadığı.

**Bu alet uygun şekilde kullanılmazsa el-kol titreşim sendromuna neden olabilir.**



**UYARI:** Doğru olması için, gerçek kullanım koşullarında maruz kalma seviyesinin tahmini, aletin kullanımda olduğu zamanlar gibi çalışma döngüsünün tüm bölümlerini de dikkate almalıdır.

kapalıyken ve boşta çalışırken ama aslında iş yapmıyorken. Bu önemli ölçüde azaltabilir toplam çalışma süresi boyunca maruz kalma seviyesi.

Titreşim ve gürültüye maruz kalma riskinizi en aza indirmeye yardımcı olur.

Her zaman keskin keskiler, matkaplar ve bıçaklar kullanın.

Bu aletin bakımını bu talimatlara uygun olarak yapın ve iyi yağlanmış halde tutun (uygunsa).

Alet düzenli olarak kullanılacaksa titreşim ve gürültü önleyici aksesuarlara yatırım yapın.

Yüksek titreşimli alet kullanımını birkaç güne yaymak için çalışma programınızı planlayın.

## AKSESUARLAR

Ahşap bıçak	1
Vakum adaptörü (32mm)	1
Toz tüpü (35mm)	1
Altıgen anahtar	1
Paralel kılavuz	1

Aksesuarlarınızı size aleti satan mağazadan satın almanızı öneririz. Daha fazla bilgi için aksesuar ambalajına bakın. Mağaza personeli size yardımcı olabilir ve tavsiyelerde bulunabilir.

## AKÜLÜ DAIRE TESTERE

### İŞLETİM TALİMATLAR



**NOT:** Aleti kullanmadan önce talimat kitabını dikkatlice okuyun.

#### AMAÇLANAN KULLANIM

Makine, ev ve ev içi uygulamalarda kullanılmak üzere tasarlanmıştır. Özellikle kontrplak ve benzeri sac malzemelerin kesilmesi için kullanışlıdır. Metal kesme bıçakları veya diskleri için uygun DEĞİLDİR.

#### ÇALIŞTIRMADAN ÖNCE

##### 1. TESTERE BIÇAĞININ TAKILMASI/ DEĞİŞTİRİLMESİ

Testere bıçağına dokunulduğunda yaralanma tehlikesi.

**Sadece bu aletin teknik özellik verilerine uygun testere bıçakları kullanınız.**

**Hiçbir koşulda kesme aleti olarak taşlama diskleri kullanmayın.**

Testere bıçağını değiştirmek için, makineyi motor uç kapağı ile düz bir yüzeye, bıçak ve bıçak koruma alanı yukarı bakacak şekilde yerleştirmek en iyisidir.

##### - Testere bıçağının çıkarılması:

Mil kilitleme düğmesine basın ve basılı tutun. Bıçak civatasını altıgen anahtar ile saat yönünde gevşetin. Dış flanş çıkarın. Alt koruma kolunu kullanarak, alt bıçak korumasını geriye doğru eğin ve bu konumda sıkıca tutun. Testere bıçağını çıkarın. (Bkz. Şekil A1, A2)

##### - Testere bıçağının takılması (Bkz. Şekil A3):

Alt koruma kolunu kullanarak, alt bıçak korumasını geriye doğru eğin ve bu konumda sıkıca tutun. Testere bıçağını iç flanşın üzerine yerleştirin.

Testere bıçağındaki kesme dişlerinin yönünün bıçak dönüş göstergesinin yönüyle eşleştiğinden emin olun. Dış flanş bıçağın üzerine yerleştirin, ardından bıçak civatasını takın. Mili kilitlemek için mil kilit düğmesine basın, ardından bıçak civatasını parmak sıkılığından 1/4 tur daha fazla olacak şekilde saat yönünün tersine sıkmak için altıgen anahtarı kullanın.

**UYARI:** Bıçak dişleri çok keskindir.



**NOT:** İç flanş ve dış flanşın montaj konumlarının doğru olmasına dikkat

edin. En iyi kesim sonuçları için ihtiyacınız olan malzemeye ve kesim kalitesine uygun bir testere bıçağı kullandığınızdan emin olun.

##### 2. KESME DERİNLİĞİ AYARI (BKZ. ŞEKİL B)

Kesme derinliği kilit düğmesini saat yönünün tersine çevirerek gevşetin ve testere gövdesini taban plakasından kaldırın.

Üçgen sembolünü sabit korumanın arkasında işaretli kesme derinliği ölçeği ile hizalayarak gerekli kesme derinliğini ayarlayın. Ardından testere gövdesini ve taban plakasını kilitlemek için kesme derinliği kilit düğmesini saat yönünde çevirin.

Bıçağın malzemeyi kesebilmesi için kesme derinliğinize her zaman 3 mm ekleyin.

**NOT:** İş parçanızı kesmeden önce bir deneme kesimi yapmak en iyisidir.

##### 3. TABAN PLAKASI AÇI AYARI (BKZ. ŞEKİL C1, C2)

Açı ölçeğini gevşetmek için taban plakası eğim kilidini saat yönünün tersine çevirin. Taban plakasını makineden uzağa doğru eğin. Üçgen sembolünü taban plakası açı ölçeği ile hizalayarak gerekli eğim açısını ayarlayın. Eğim kilidini saat yönünde çevirerek sıkın. Kullanmayın olası yanlışlık nedeniyle eğimli kesimler yaparken kesme derinliği ölçeği.

##### 4. TOZ EMME ÇIKIŞI (BKZ. ŞEKİL D)

Vakum adaptörünü vida ile sabit korumaya sabitleyin. Uygun bir vakum hortumunu doğrudan adaptöre bağlayın.

**NOT:** Harici bir toz emişi bağlı değilken vakum adaptörü monte edilmemelidir.

**Aksi takdirde emiş sisteminin tıkanma tehlikesi vardır.**

**Optimum toz emişini sağlamak için vakum adaptörünü düzenli olarak temizleyin.**

**Elektrikli süpürge, çalışılacak malzeme için uygun olmalıdır.**

##### 5. PIL TAKIMINI ÇIKARIN VEYA TAKIN (ÜRÜNLE BİRLİKTE VERİLMEZ) (BKZ. ŞEKİL E1, E2)

Akü paketi açma düğmesine basınız ve akü

paketini aletten çıkarınız. Yeniden şarj ettikten sonra akü paketini aletin akü portu. Basit bir itme ve hafif bir basınç yeterli olacaktır.

## OPERASYON

**! UYARI! Herhangi bir bakım veya ayarlama yapmadan önce testere kapatılmış ve pil takımı çıkarılmıştır. Testere bıçağını monte ederken koruyucu eldiven giyin.**

### 1. EL KAVRAMA POZISYONU

Çalışırken testerenizi her zaman iki elinizle sıkıca tutun.

### 2. GÜVENLİK AÇMA/KAPAMA DÜĞMESİ (BKZ. ŞEKİL F)

Kilitleme düğmesi nötr konumdayken, anahtar kilitletir. Düğmeye basın kilitleme düğmesini sola veya sağa çevirin, ardından açma/kapama düğmesine basın, makine çalışır. Makineyi kapatmak için anahtarı bırakın, kilit düğmesi nötr konumdadır ve makine durur. Testereniz, bıçağın hızlanmasını durdurmak için tasarlanmış otomatik bir elektrikli frene sahiptir. Tetik düğmesini bıraktıktan sonra yaklaşık üç saniye içinde.

Kaydırmalı bir bıçağın geniş ve hassas olmayan bir kesime neden olacağı ahşapta belirli kesimler yaparken kullanışlıdır.

**! UYARI: Makine tamamen durana kadar bekleyin aşağıya.**

### 3. PARALEL KILAVUZ AYARI (BKZ. ŞEKİL G)

Seçilen bir mesafede bir iş parçası kenarına paralel kesimler yapmak için kullanılır. Önce paralel kılavuz kilitleme vidasını gevşetmek için saat yönünün tersine çevirin, ardından istenen kesme mesafesini elde etmek için paralel kılavuz kolunu boşluktan geçirin, ardından paralel kılavuzu sıkıca sıkıştırmak için kilitleme vidasını saat yönünde çevirin.

**NOT:** En iyisi bir deneme kesimi yapmaktır.

### 4. KESME KILAVUZU (BKZ. ŞEKİL H1, H2)

Paralel kılavuzla kullanım için taban plakasının önünde bir kesme işareti çentiği vardır. Düz kesimler için, paralel kılavuz ölçeğinizle hizalamak üzere 0° kesme işaretini kullanın. 45° için eğimli kesim, 45° kesme işaretini aşağıdakilerle

hizalamak için kullanın paralel kılavuz ölçeğinizi. Paralel kılavuzu güvenli bir şekilde sıkıştırın. Ayarı kontrol etmek için her zaman bir deneme kesimi yapın.

### 5. BEVEL KESİMLERİ

Gerekli eğim açısını 0° ile 45° arasında ayarlayın. Olası yanlışlık nedeniyle eğimli kesimler yaparken kesme derinliği ölçeğini kullanmayın.

### 6. ALTIGEN ANAHTAR SAKLAMA YERİ (BKZ. ŞEKİL I)

Sağlanan altigen anahtar, motor muhafazasının altındaki taban plakasına ve paralel kılavuz kilitleme düğmesinin yanına yerleştirilebilir.

### 7. LED IŞIK (BKZ. ŞEKİL J)

Bu alet, testere pil takımına takıldığında yanan güçlü bir LED ışığa sahiptir. Aletinizin etkinleştirildiğini gösterir ve görünürlüğü artırır - karanlık veya kapalı alanlar için çok kullanışlıdır.

## DAİRE TESTERENİZ İÇİN ÇALIŞMA İPUÇLARI

Elektrikli aletiniz çok ısınır, motoru soğutmak için daire testerenizi 2-3 dakika boyunca yüksüz çalıştırın. Çok düşük hızlarda uzun süreli kullanımdan kaçınınız.

Her zaman kesilecek malzemeye ve malzeme kalınlığına uygun bir bıçak kullanın. Bıçak dip sayısı arttıkça kesim kalitesi de artacaktır. Hareketi önlemek için her zaman iş parçasının sıkıca tutulduğundan veya kelepçelendiğinden emin olun. Büyük panelleri kesim çizgisine yakın destekleyin. Malzemenin herhangi bir hareketi kesim kalitesini etkileyebilir. Bıçak yukarı doğru strokta keser ve iş parçasının en üst yüzeyini veya kenarlarını talaşlandırabilir. Kesim yaparken, işiniz bittiğinde en üst yüzeyinizin görünmeyen bir yüzey olduğundan emin olun. Çok hızlı besleme, makinenin performansını önemli ölçüde düşürür ve testere bıçağının ömrünü kısaltır. Minimum kıymıklanma sağlamak için her zaman iş parçasının iyi tarafına bakın. Sadece doğru tipte keskin testere bıçakları kullanın.

## AKÜLÜ DAIRE TESTERE

### BAKIM

**Herhangi bir ayarlama, servis veya bakım yapmadan önce aküyü çıkarın.**

Aletiniz ek yağlama veya bakım gerektirmez.

Elektrikli el aletinizde kullanıcı tarafından

bakımı yapılabilecek hiçbir parça yoktur.

Elektrikli el aletinizi temizlemek için asla su

veya kimyasal temizleyiciler kullanmayın.

Kuru bir bezle silerek temizleyin. Elektrikli el

aletinizi daima kuru bir yerde saklayın. Motor

havalandırma deliklerini

temizleyin. Tüm çalışma kontrollerini tozdan

uzak tutun. Ara sıra havalandırma deliklerinden

kıvılcım çıktığını görebilirsiniz. Bu normaldir ve

elektrikli el aletinize zarar vermez.

### ÇEVRE KORUMA



Atık elektrikli ürünler evsel atıklarla birlikte atılmamalıdır. Lütfen tesislerin bulunduğu yerlerde geri dönüşüm yapın. Geri dönüşüm tavsiyeleri için yerel yetkililere veya perakendecinize danışın.

# EC Uygunluk Beyanı



Biz :

**HYUNDAI Corporation Holdings Europe**  
Am Kronberger Hang 2A, 65824, Schwalbach am Taunus  
Germany

Aşağıda ayrıntıları verilen ürünün :  
**Akülü daire testere**

**MODEL: CS20S-165**  
**İŞLEV: Dönen dişli bıçakla çeşitli malzemelerin kesilmesi**

Konsey Direktiflerinin gerekliliklerini karşılar :  
**2006/42/EC, 2011/65/EU & (EU)2015/863, 2014/30/EU**

Standartlara Uygunluk :  
**EN 62841-1, EN IEC 62841-2-5,**  
**EN IEC 55014-1, EN IEC 55014-2,**  
**EN IEC 63000**

**Teknik dosyayı düzenlemeye yetkili kişi,**  
**İsim: Hyundae Kim**  
**Adres : HYUNDAI Corporation Holdings Europe**  
**65824 Schwalbach am Taunus, Germany**

Genel Müdür

Jaiwon Hur

Proje Müdürü

Sungwoo Hong

Tarih : 2024.09.25







**HYUNDAI**  
POWER PRODUCTS



## HYUNDAI Corporation Holdings

25, Yulgok-ro 2-gil, Jongno-gu, Seoul 03143, Korea

Post Code: 03143

+82 2 390 1114

[www.hyundaicorpholdings.com](http://www.hyundaicorpholdings.com)